



US00D490462S

(12) **United States Design Patent**  
**Chua et al.**

(10) **Patent No.:** **US D490,462 S**

(45) **Date of Patent:** **\*\* May 25, 2004**

(54) **INKJET PRINTER WITH PAPER BIN**

(75) Inventors: **Joyce A. Chua**, Vancouver, WA (US);  
**Howard G. Wong**, Portland, OR (US);  
**Gary T. Strowe**, Vancouver, WA (US);  
**Scott D. McLean**, Vancouver, WA (US)

(73) Assignee: **Hewlett-Packard Development Company L.P.**, Houston, TX (US)

(\*\*) Term: **14 Years**

(21) Appl. No.: **29/168,295**

(22) Filed: **Sep. 26, 2002**

(51) **LOC (7) Cl.** ..... **14-02**

(52) **U.S. Cl.** ..... **D18/55**

(58) **Field of Search** ..... 400/613.1-613.4,  
400/690.1-690.4, 691-694, 613; D18/50,  
54-55, 36-39, 420-425, 462-470

(56) **References Cited**

**U.S. PATENT DOCUMENTS**

- D317,937 S 7/1991 Uchihori et al.
- D324,233 S 2/1992 Sawa et al.
- D324,539 S 3/1992 Sawa
- D349,922 S 8/1994 Tashiro
- D378,100 S 2/1997 Sekine
- D378,378 S 3/1997 Nakazawa et al.
- D378,926 S \* 4/1997 Dubson ..... D18/50
- D385,296 S 10/1997 Iwai et al.
- D390,593 S 2/1998 Inoue
- D390,594 S 2/1998 Sekine
- D390,595 S 2/1998 Sekine

- D394,452 S 5/1998 Iwamoto et al.
- D400,571 S 11/1998 Shimizu
- D400,572 S 11/1998 Sekine et al.
- D424,102 S 5/2000 Igarashi
- D424,609 S 5/2000 Inoue et al.
- D425,552 S 5/2000 Kobayashi et al.
- D427,235 S 6/2000 Kaseno et al.
- D430,894 S 9/2000 Inoue
- D439,607 S 3/2001 Inoue et al.
- D440,247 S 4/2001 Takimoto et al.
- D441,394 S 5/2001 Kobayashi et al.
- D443,638 S 6/2001 Kobayashi et al.
- D459,389 S \* 6/2002 Kaseno ..... D18/50
- D467,963 S \* 12/2002 Miyahara et al. .... D18/54
- D468,764 S \* 1/2003 Miyahara et al. .... D18/54
- D477,019 S \* 7/2003 Dwyer et al. .... D18/55

\* cited by examiner

*Primary Examiner*—Cathy Anne McCormac

(57) **CLAIM**

The ornamental design for an inkjet printer with paper bin, substantially as shown.

**DESCRIPTION**

FIG. 1 is a perspective view of an inkjet printer with paper bin, in accordance with the present invention;  
FIG. 2 is a front view thereof;  
FIG. 3 is a right side view thereof, the left side is a mirror image;  
FIG. 4 is a top view thereof;  
FIG. 5 is a rear view thereof; and,  
FIG. 6 is a bottom view thereof.

**1 Claim, 6 Drawing Sheets**

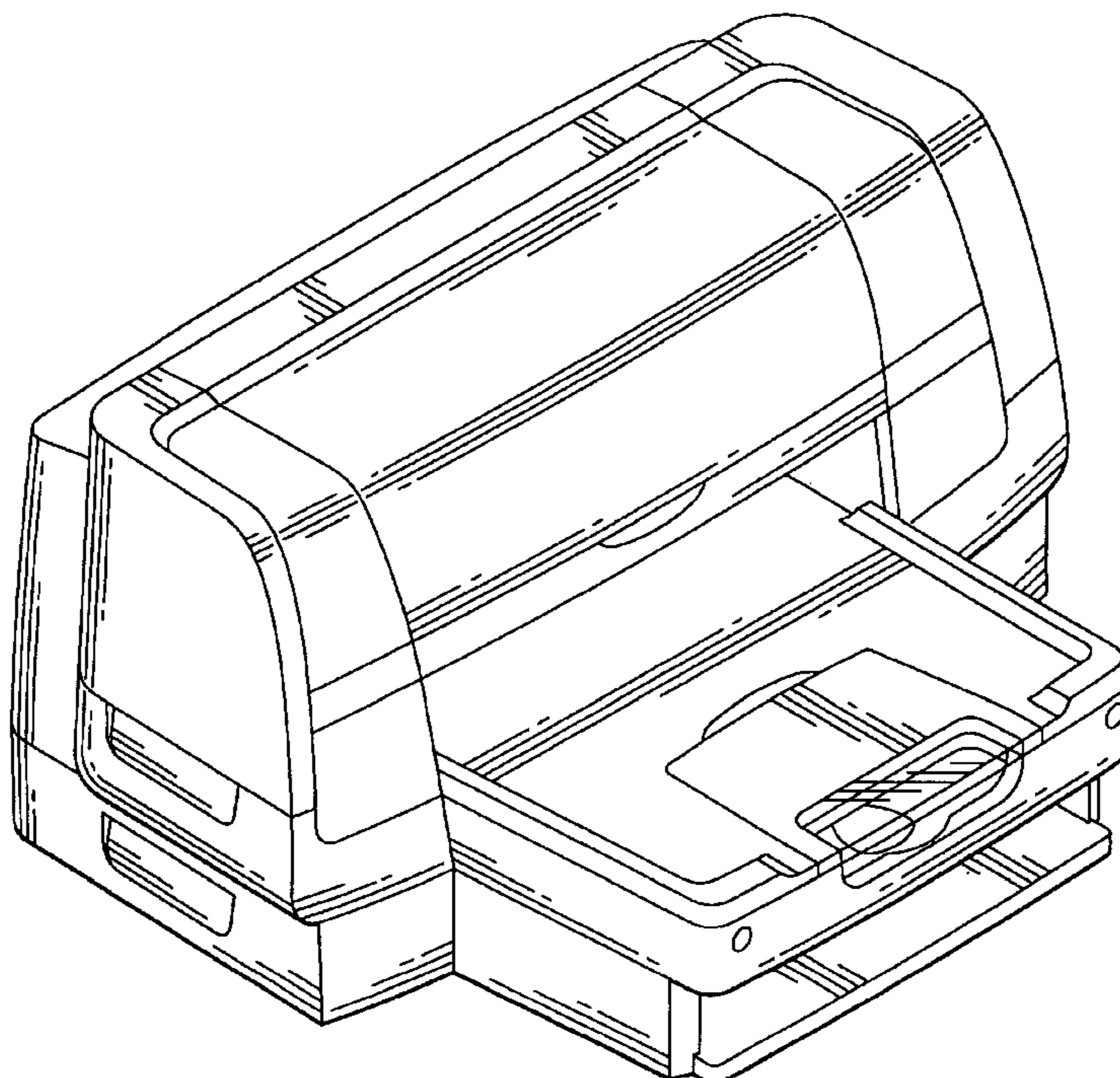
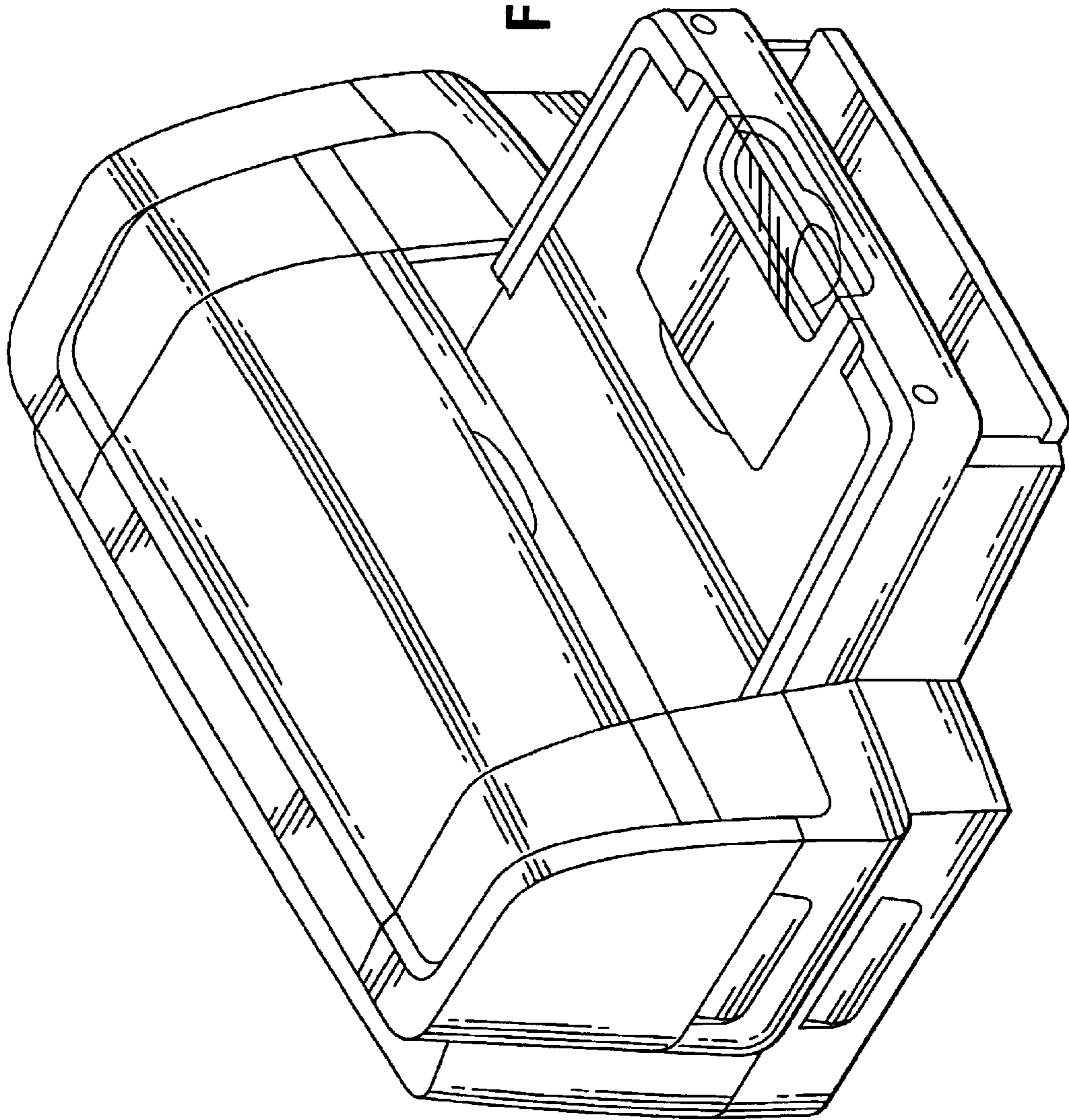


FIG.1



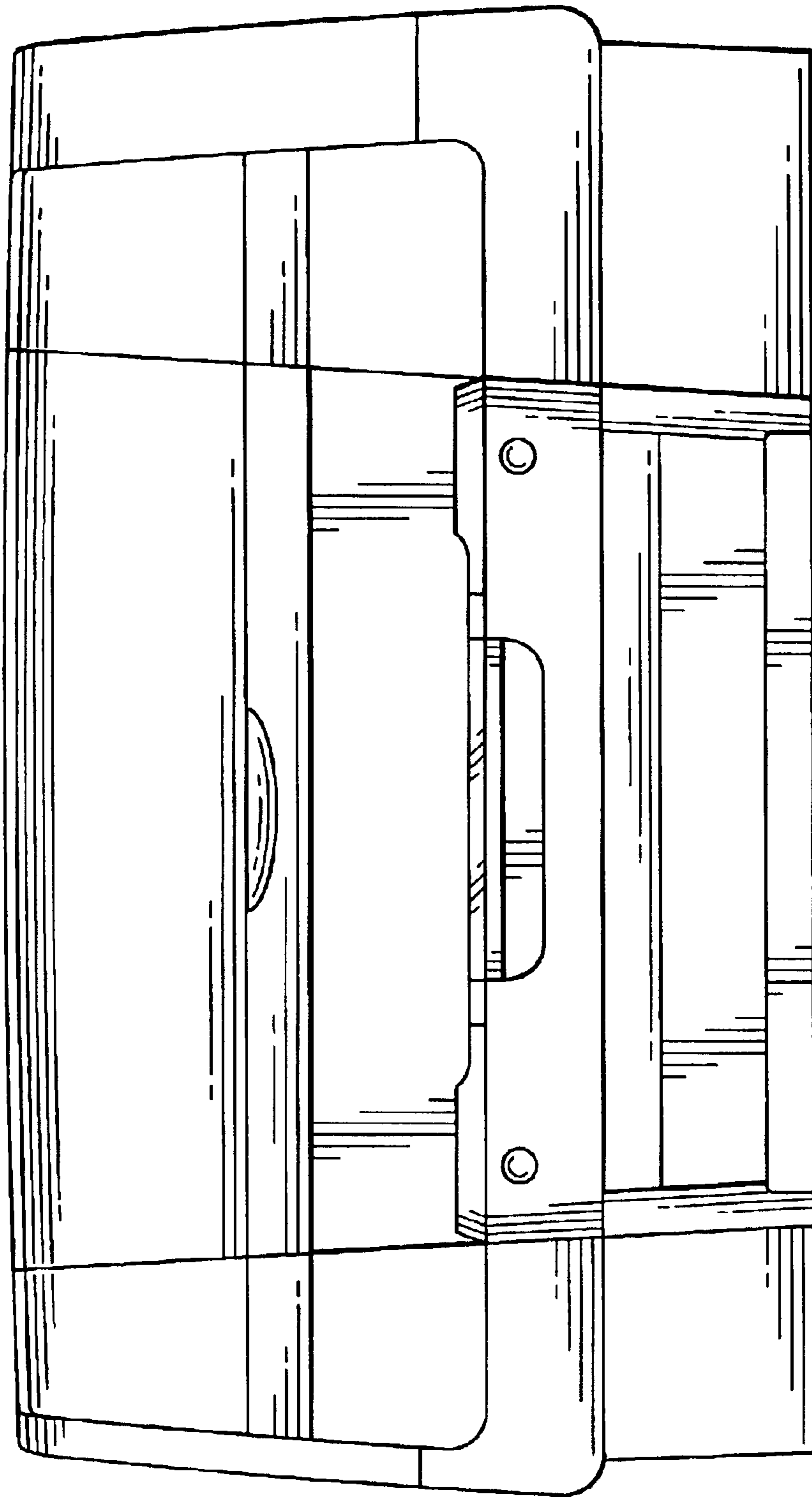


FIG.2

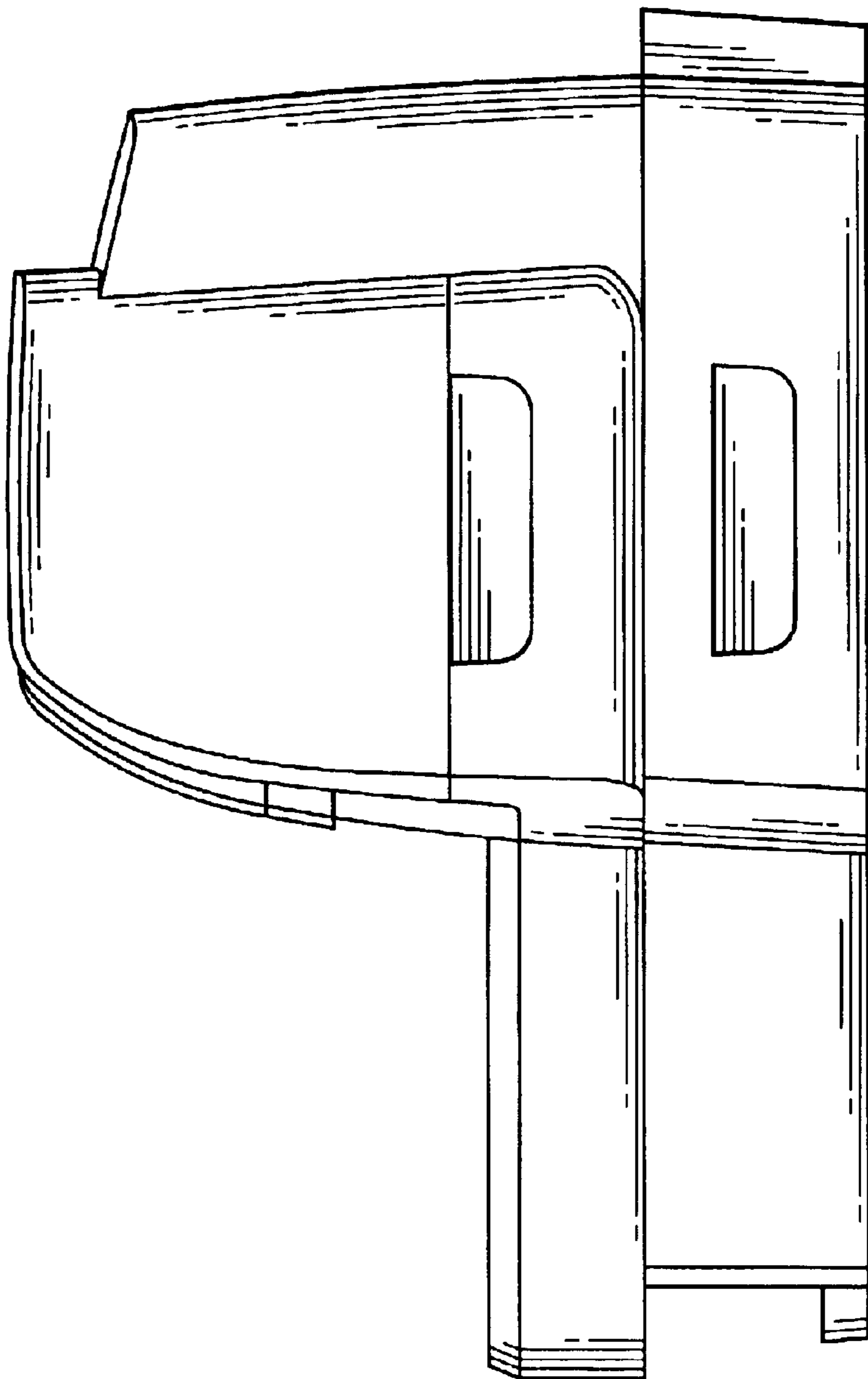


FIG.3

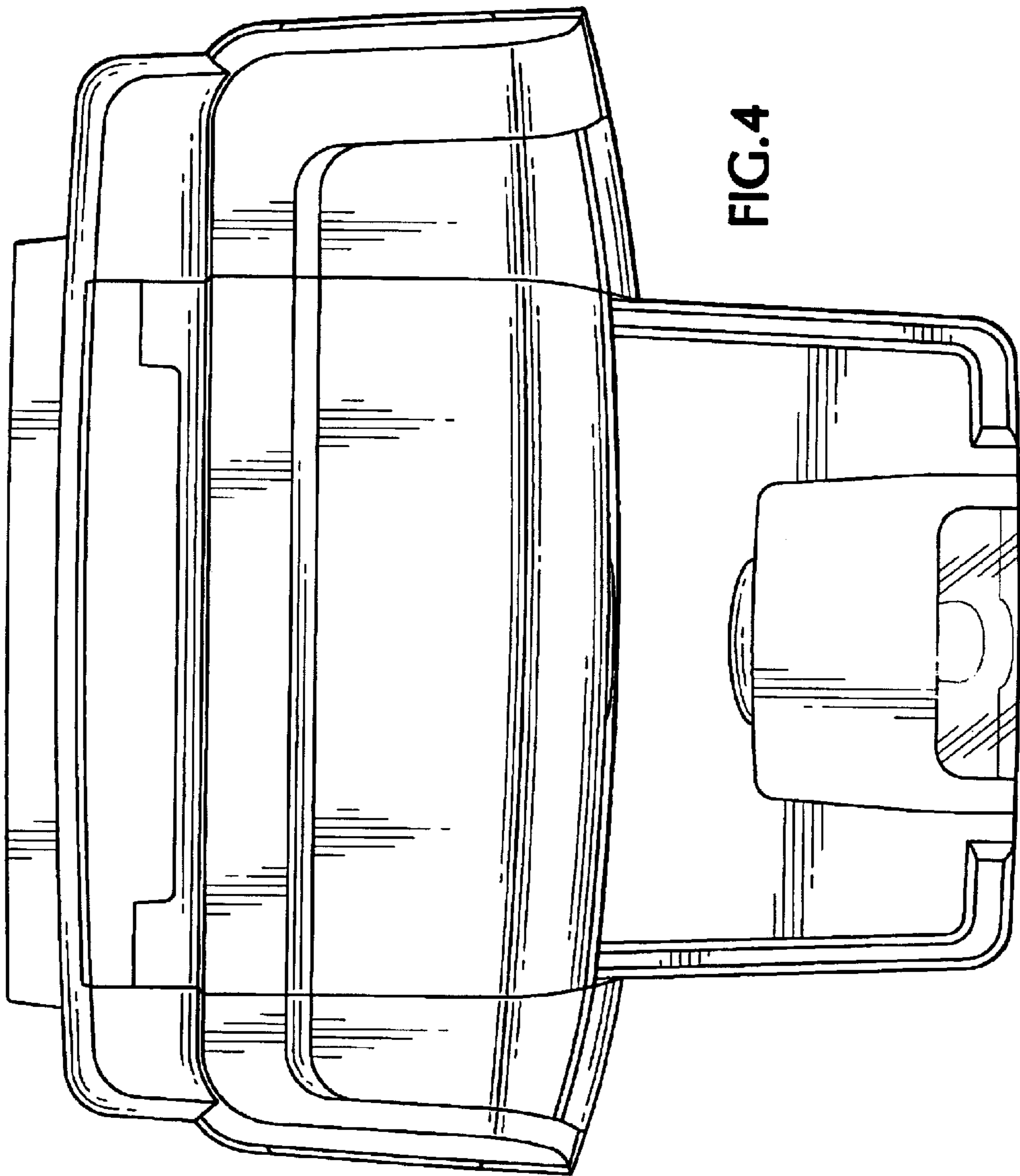


FIG. 4

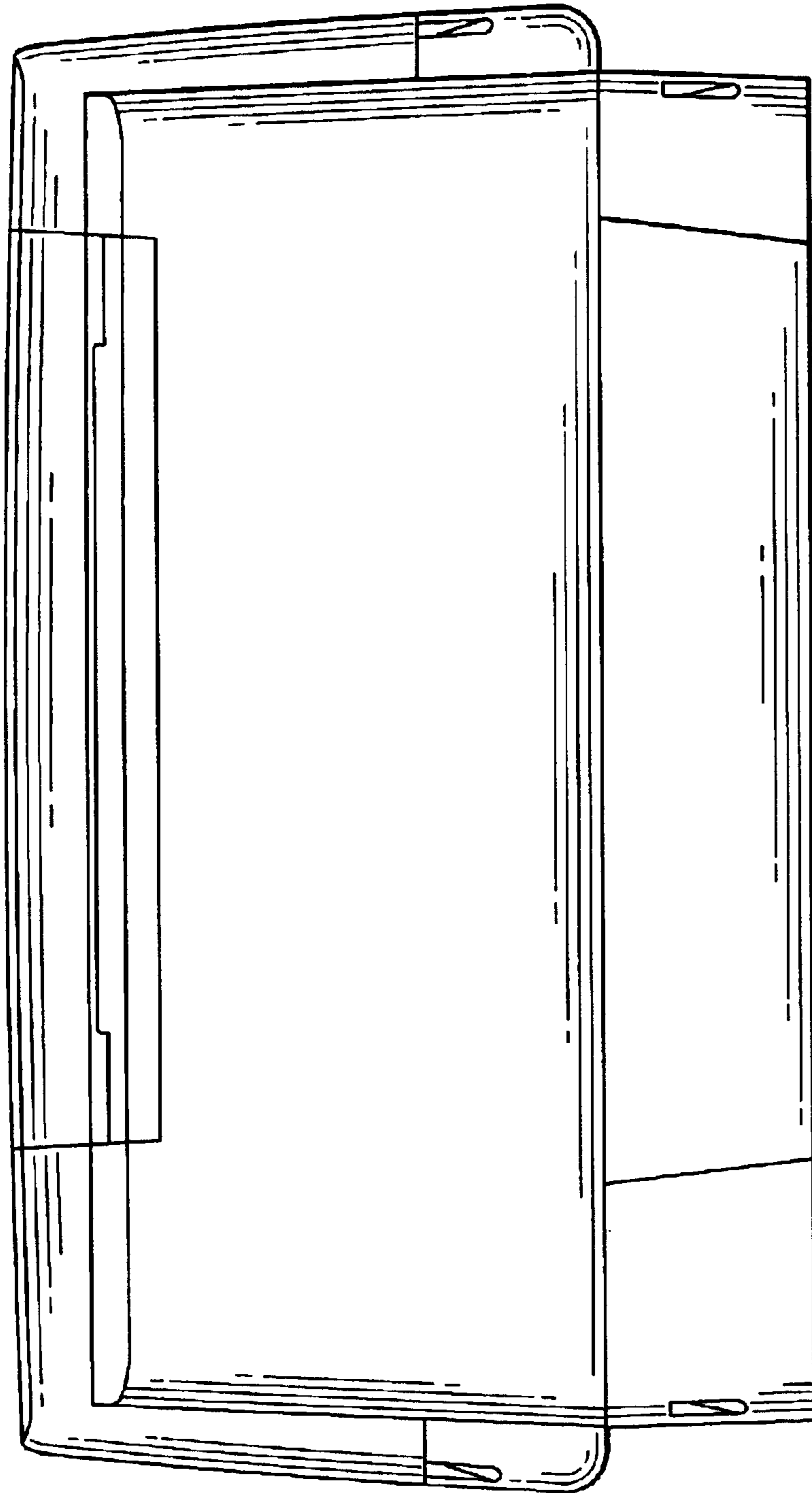


FIG.5

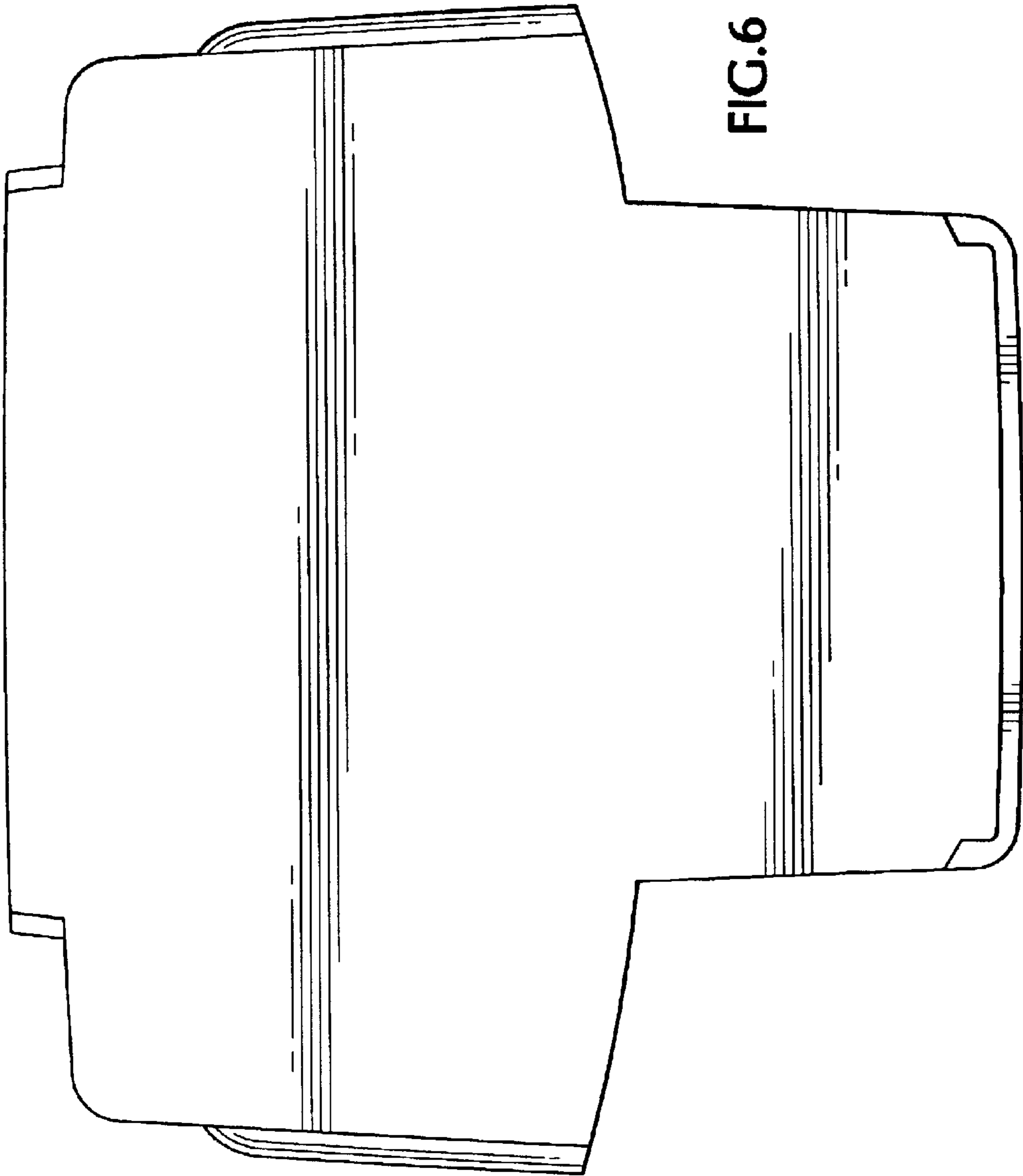


FIG. 6