



US00D490461S

(12) **United States Design Patent**  
**Wehrmann**

(10) **Patent No.:** **US D490,461 S**

(45) **Date of Patent:** **\*\* May 25, 2004**

(54) **PRINTING PRESS**

(75) **Inventor:** **Stefan Wehrmann, Mannheim (DE)**

(73) **Assignee:** **Heidelberger Druckmaschinen AG,**  
**Heidelberg (DE)**

(\*\*) **Term:** **14 Years**

(21) **Appl. No.:** **29/163,067**

(22) **Filed:** **Jun. 25, 2002**

(51) **LOC (7) Cl.** ..... **18-02**

(52) **U.S. Cl.** ..... **D18/53**

(58) **Field of Search** ..... D18/53, 50, 36-39;  
408/690-694, 625, 691; 358/1.3, 1.6; 101/76,  
217; 399/381, 367, 361, 391-399, 107

(56) **References Cited**

**U.S. PATENT DOCUMENTS**

D230,517 S	*	2/1974	Kalvitis	.....	D18/53
D242,287 S	*	11/1976	Hatsuda et al.	.....	D18/53
D290,966 S	*	7/1987	Saito et al.	.....	D18/53
D341,155 S	*	11/1993	Fujii et al.	.....	D18/53
D353,833 S	*	12/1994	Karafuji et al.	.....	D18/53

D363,735 S	*	10/1995	Karafuji et al.	.....	D18/53
5,884,132 A	*	3/1999	Gotham et al.	.....	399/393
D410,677 S	*	6/1999	Matsumoto et al.	.....	D18/53
6,226,475 B1	*	5/2001	Kabumoto et al.	.....	399/107
6,526,242 B2	*	2/2003	Kabumoto et al.	.....	399/107

**FOREIGN PATENT DOCUMENTS**

GB	2003411	*	5/1990	
WO	DM/049626	*	1/1999	..... 18/2

\* cited by examiner

*Primary Examiner*—Charles A. Rademaker

(74) *Attorney, Agent, or Firm*—Laurence A. Greenberg;  
Werner H. Stemer; Ralph E. Locher

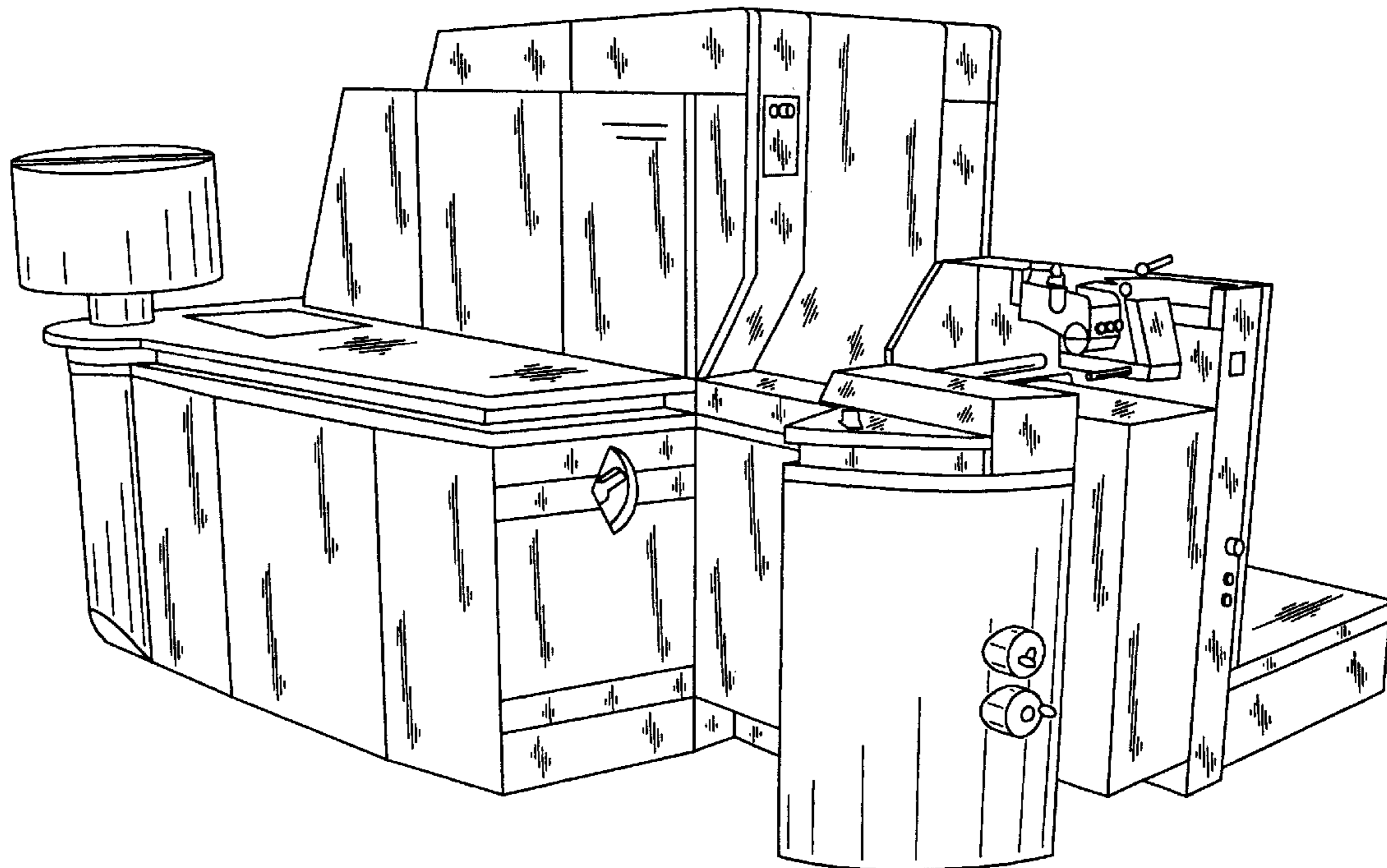
(57) **CLAIM**

The ornamental design for a printing press, as shown and described.

**DESCRIPTION**

FIG. 1 is a front, left perspective view of the printing press; FIG. 2 is a top and front perspective view thereof; FIG. 3 is a front, right perspective view thereof; and, FIG. 4 is a rear, left perspective view thereof.

**1 Claim, 4 Drawing Sheets**



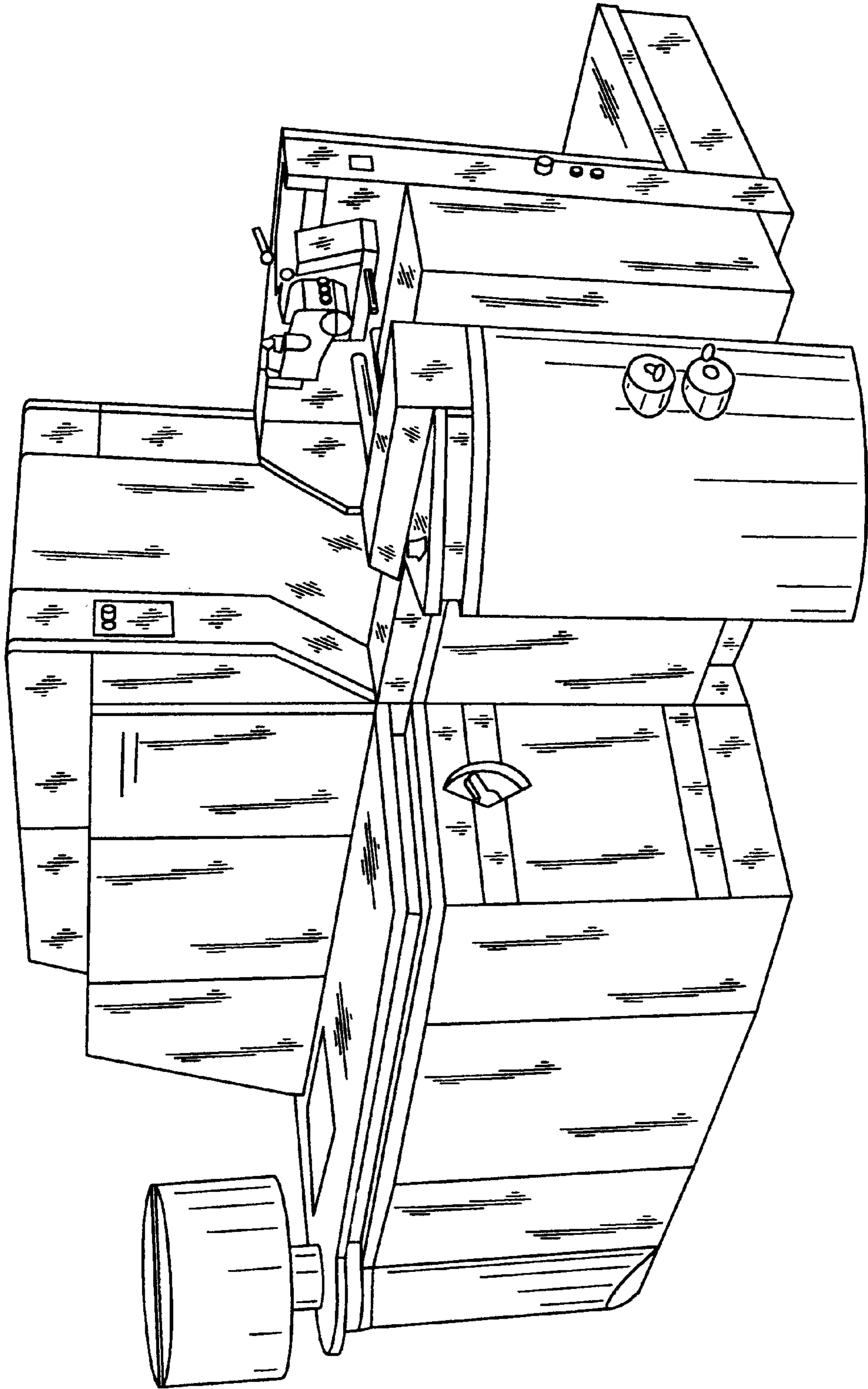


FIG. 1

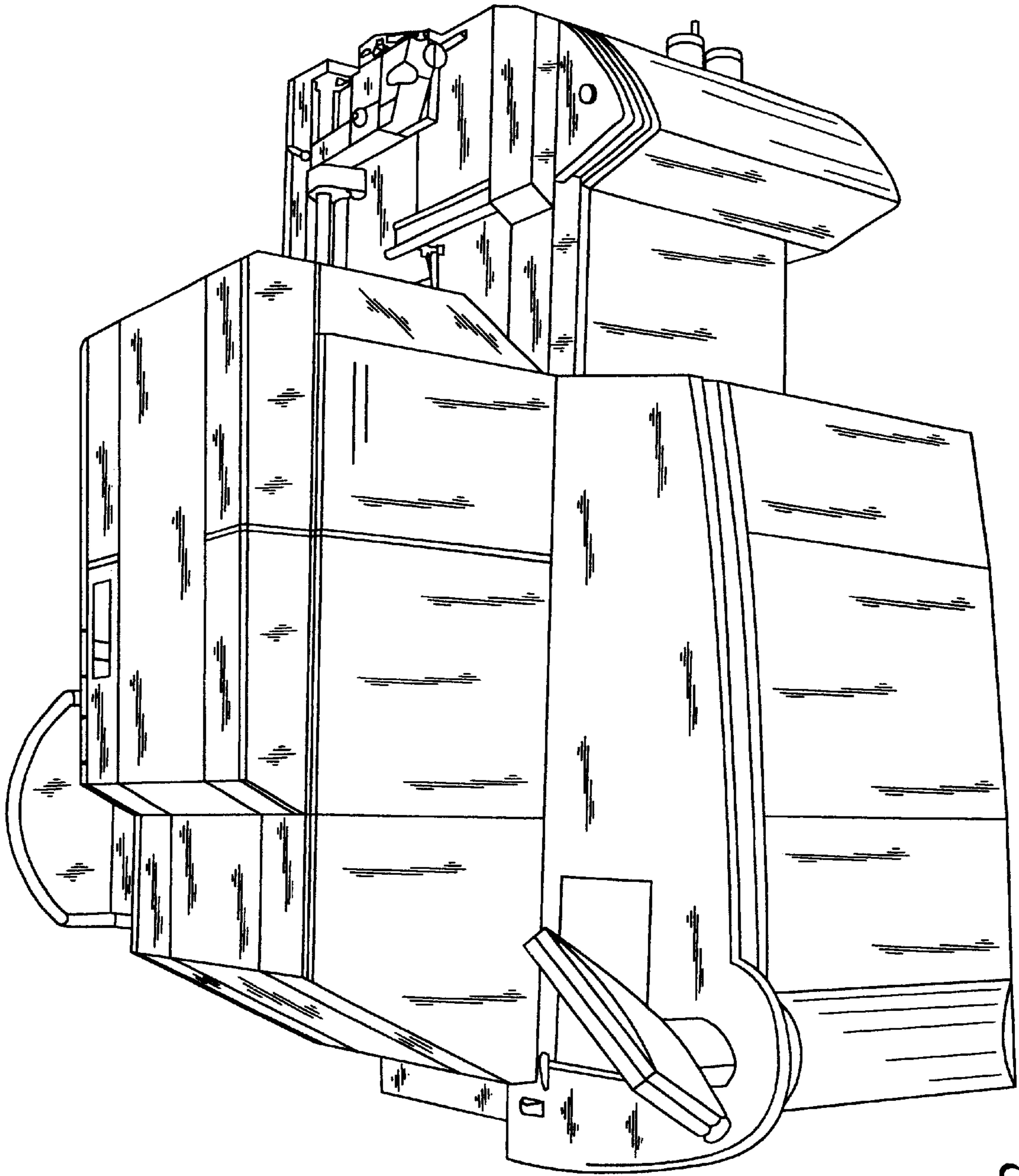


FIG. 2

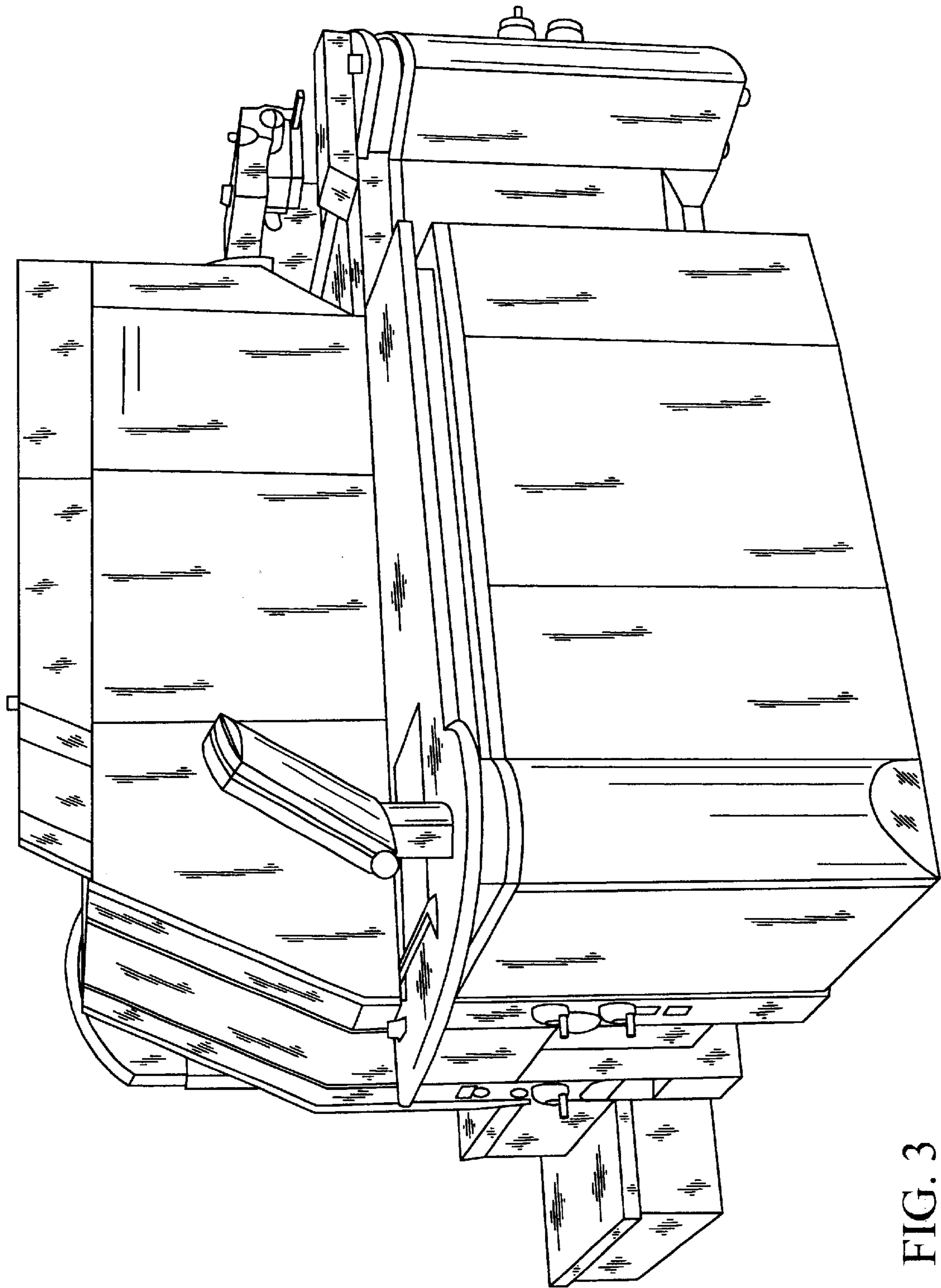


FIG. 3



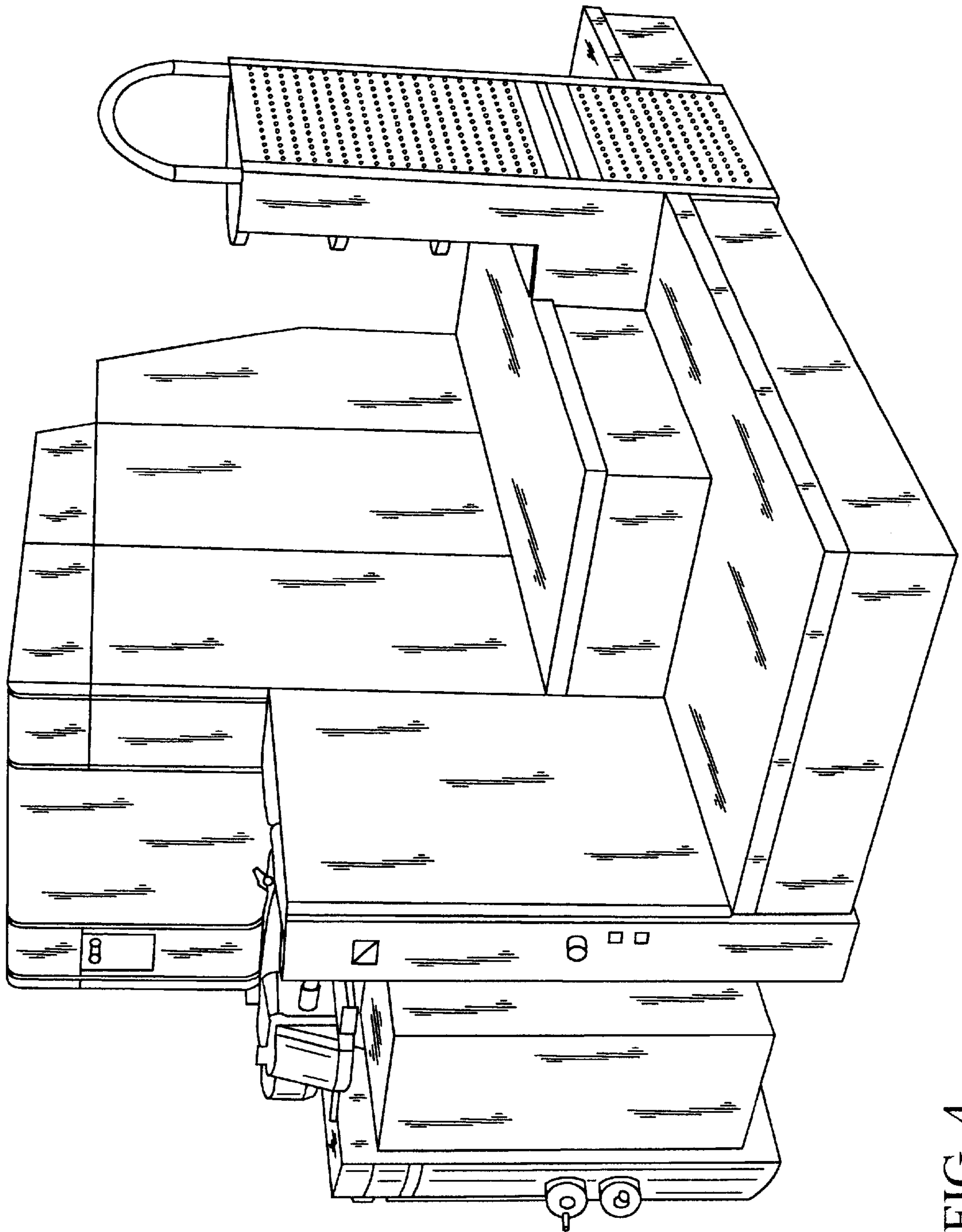


FIG. 4