



US00D490457S

(12) **United States Design Patent**
Kimbre

(10) **Patent No.:** **US D490,457 S**

(45) **Date of Patent:** **** May 25, 2004**

(54) **MOBILE CAMERA**

D479,550 S * 9/2003 Shao et al. D16/218

(75) Inventor: **Jeanna Kimbre, Malmö (SE)**

FOREIGN PATENT DOCUMENTS

(73) Assignee: **Sony Ericsson Mobile Communications AB, Lund (SE)**

JP 1154718 * 9/2002

(**) Term: **14 Years**

* cited by examiner

(21) Appl. No.: **29/172,354**

Primary Examiner—Adir Aronovich
(74) *Attorney, Agent, or Firm*—Myers Bigel Sibley & Sajovec

(22) Filed: **Dec. 10, 2002**

(57) **CLAIM**

(30) **Foreign Application Priority Data**

The ornamental design for a mobile camera, as shown and described.

Jun. 11, 2002 (SE) 02-0906

DESCRIPTION

(51) **LOC (7) Cl.** **16-01**

(52) **U.S. Cl.** **D16/208; D14/240**

(58) **Field of Search** D16/219, 237,
D16/200, 202, 208, 218; D14/138, 240;
D21/329; 348/14.01–14.09, 373–376; 396/429,
535, 540, 541

FIG. 1 is a front perspective view of a mobile camera showing my new design;
FIG. 2 is a front view thereof;
FIG. 3 is a right side view thereof;
FIG. 4 is a back view thereof;
FIG. 5 is a left side view thereof;
FIG. 6 is a top view thereof; and,
FIG. 7 is a bottom view thereof.

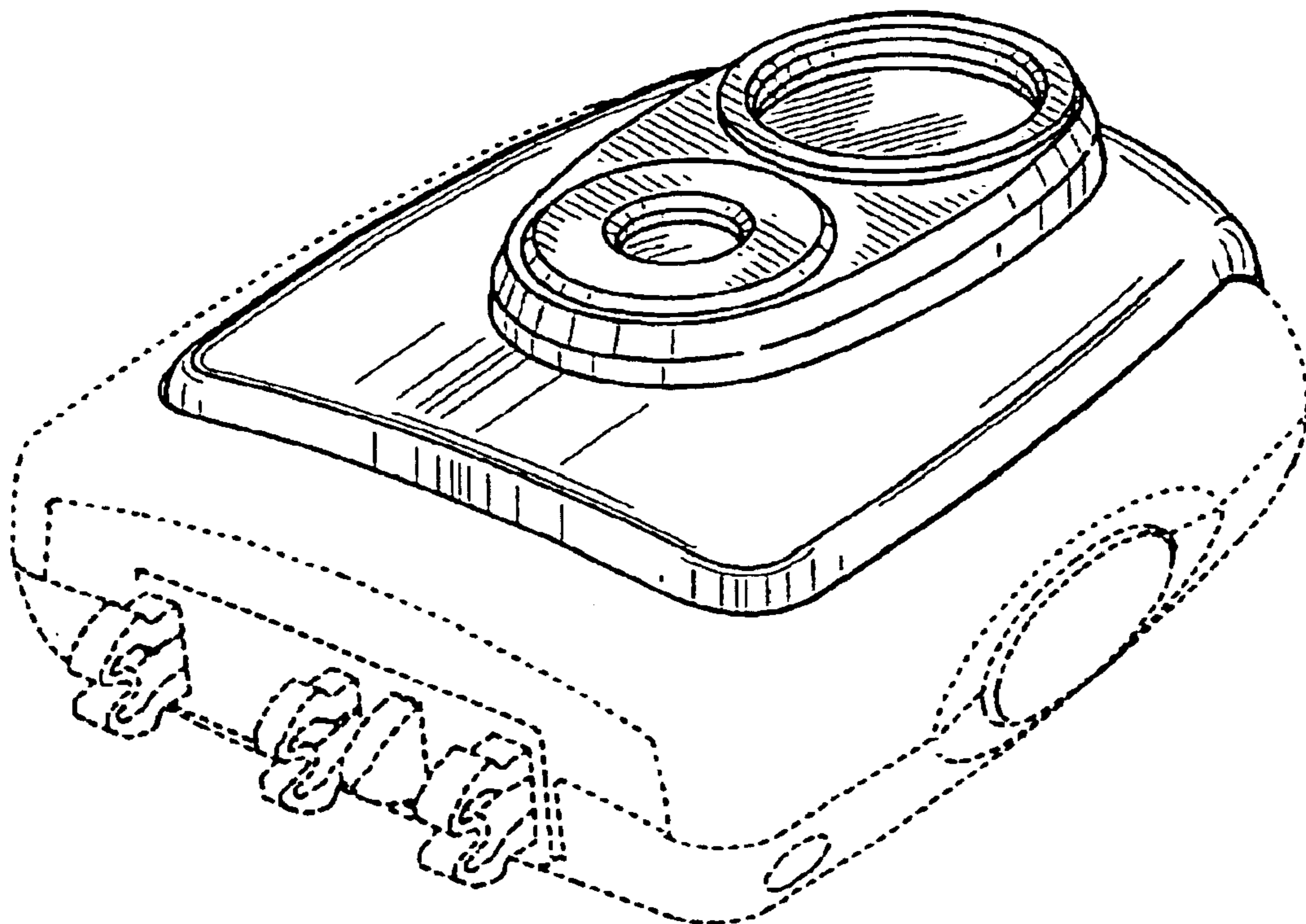
(56) **References Cited**

U.S. PATENT DOCUMENTS

D405,476 S * 2/1999 Aoki et al. D21/329
D413,893 S * 9/1999 Luzbetak et al. D14/240
D467,954 S * 12/2002 Suzuki et al. D16/208
D478,578 S * 8/2003 Hao D14/240

The portions of the mobile camera in broken lines are shown for illustrative purposes only and form no part of the claimed design.

1 Claim, 2 Drawing Sheets



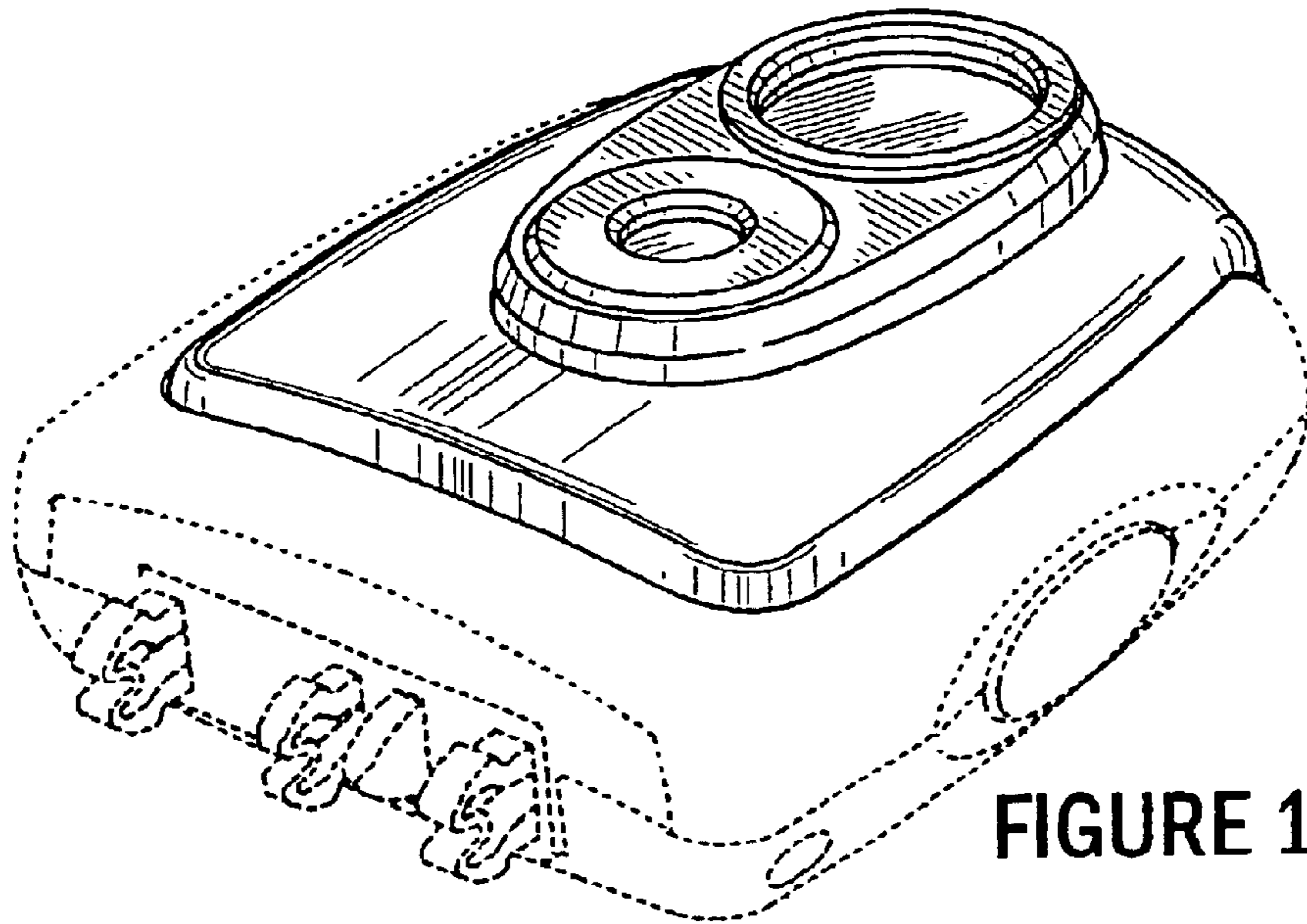


FIGURE 1

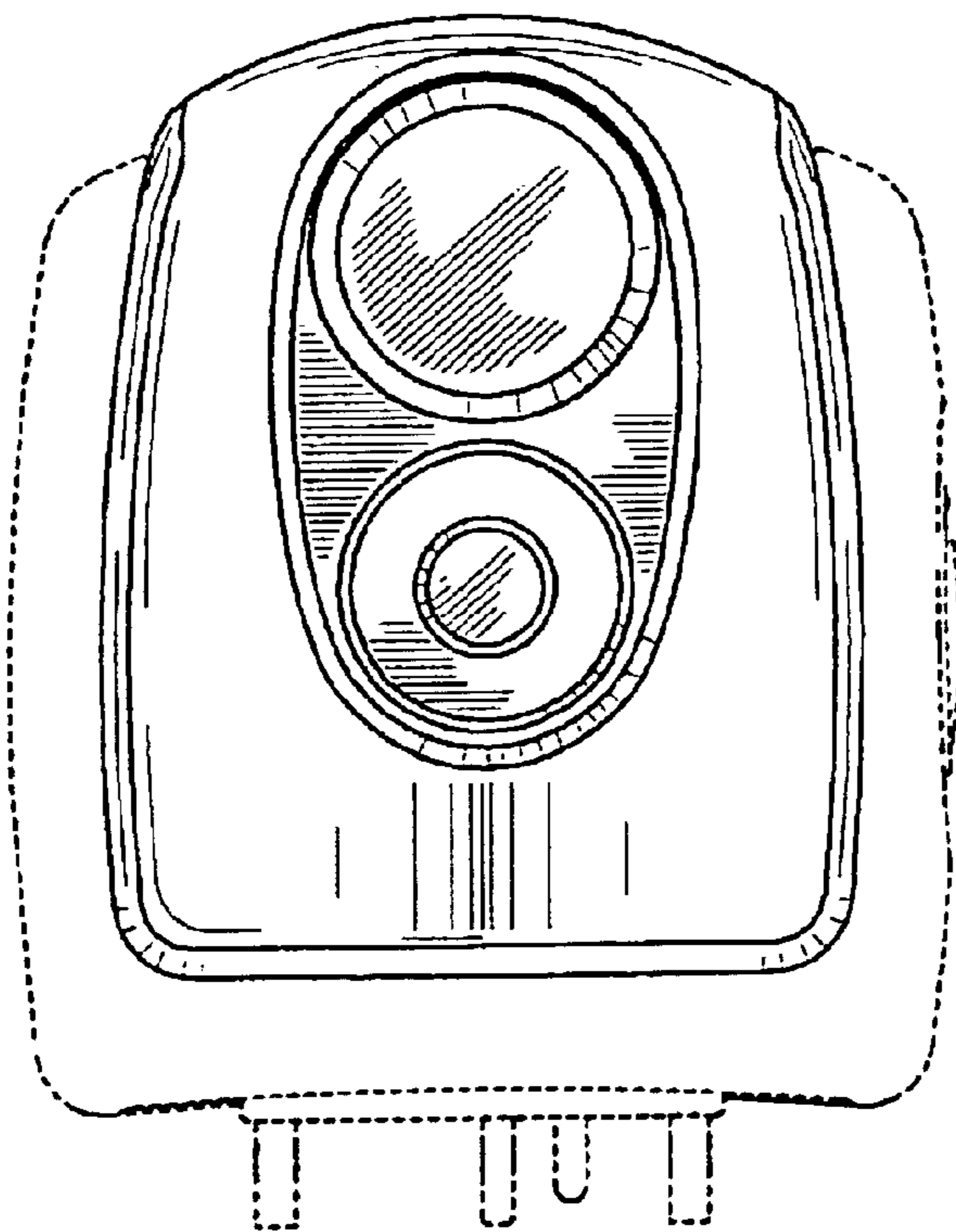


FIGURE 2

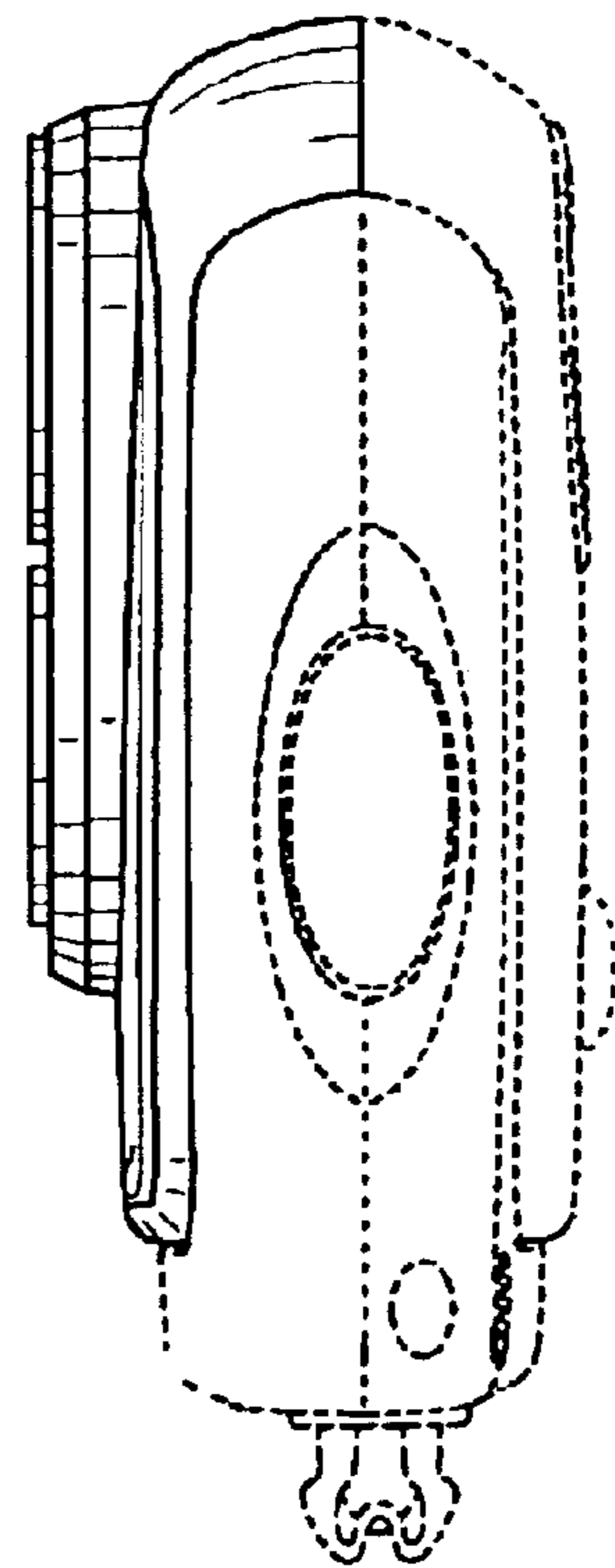


FIGURE 3

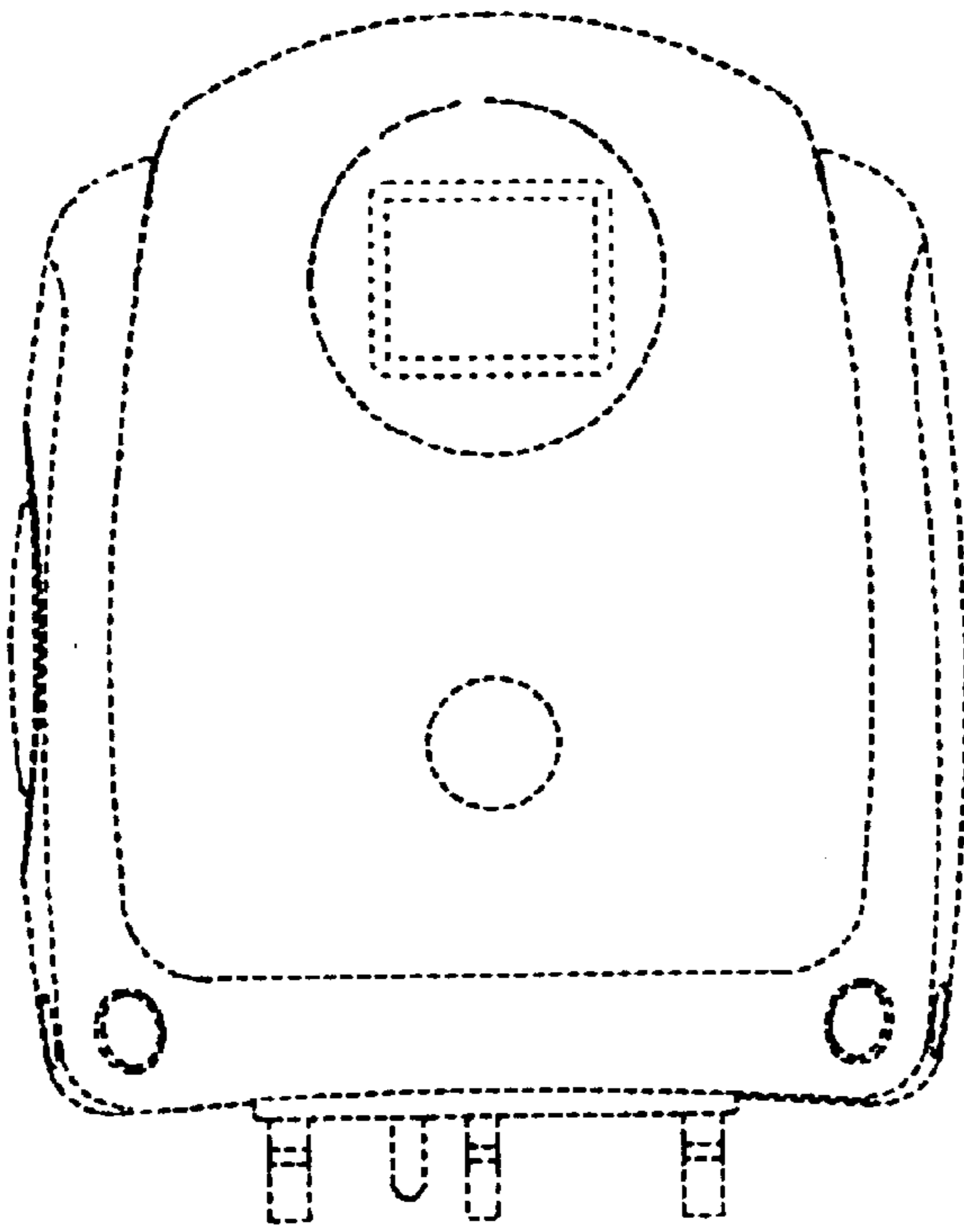


FIGURE 4

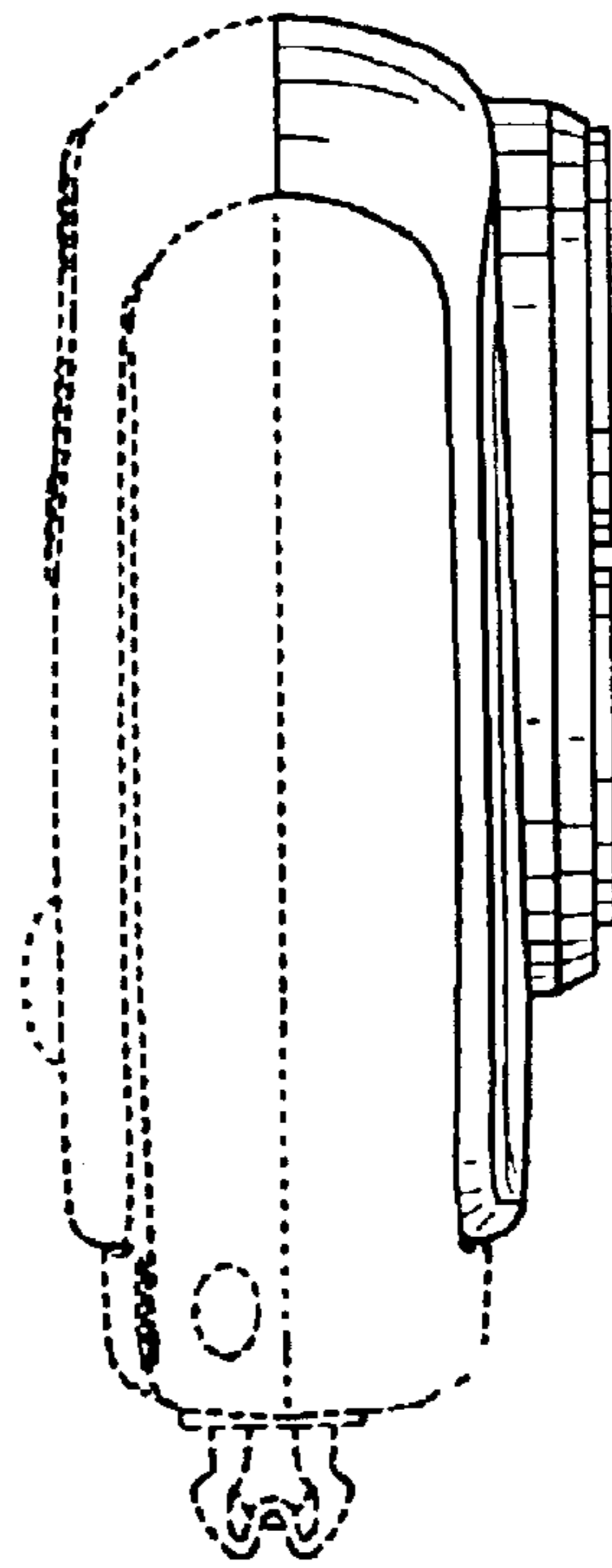


FIGURE 5

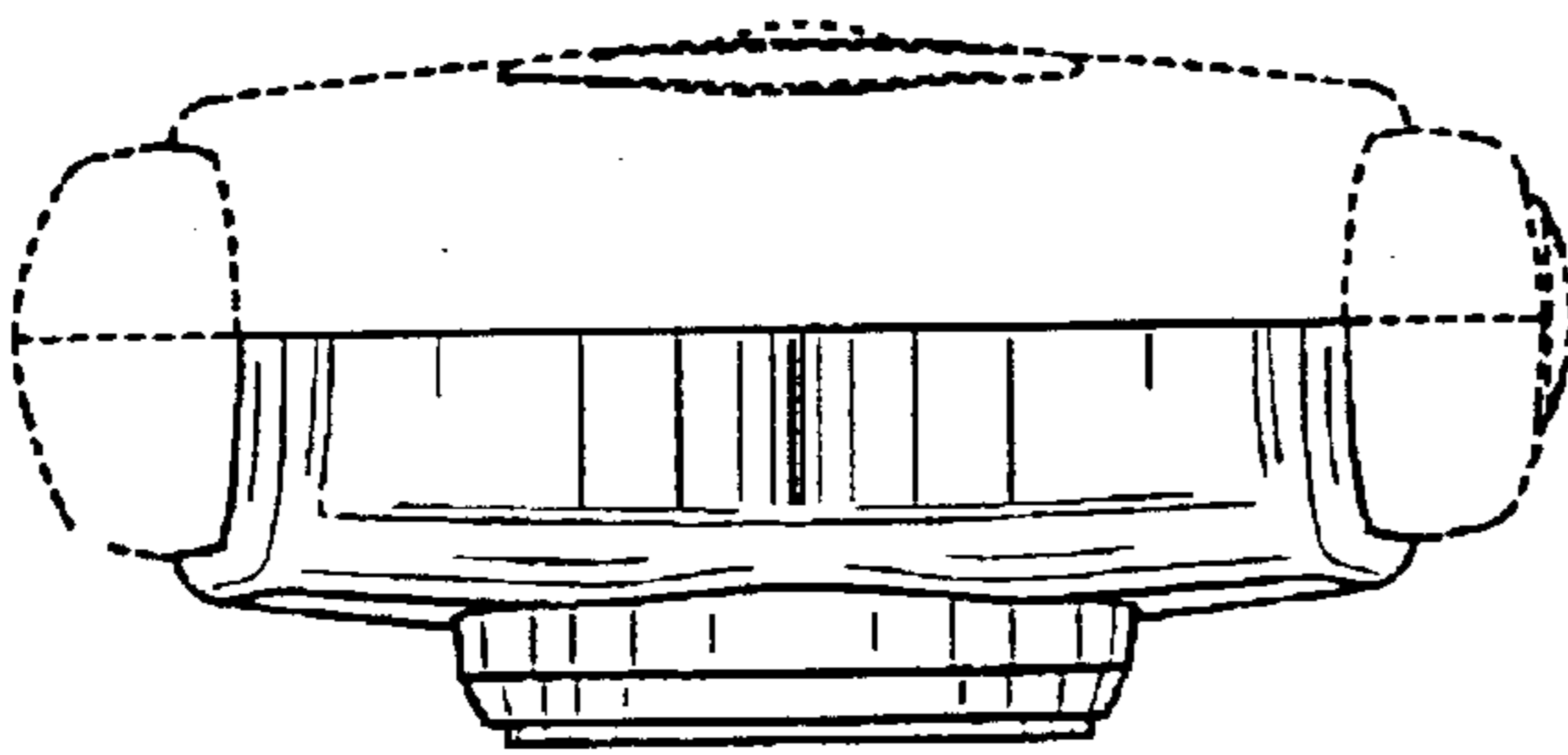


FIGURE 6

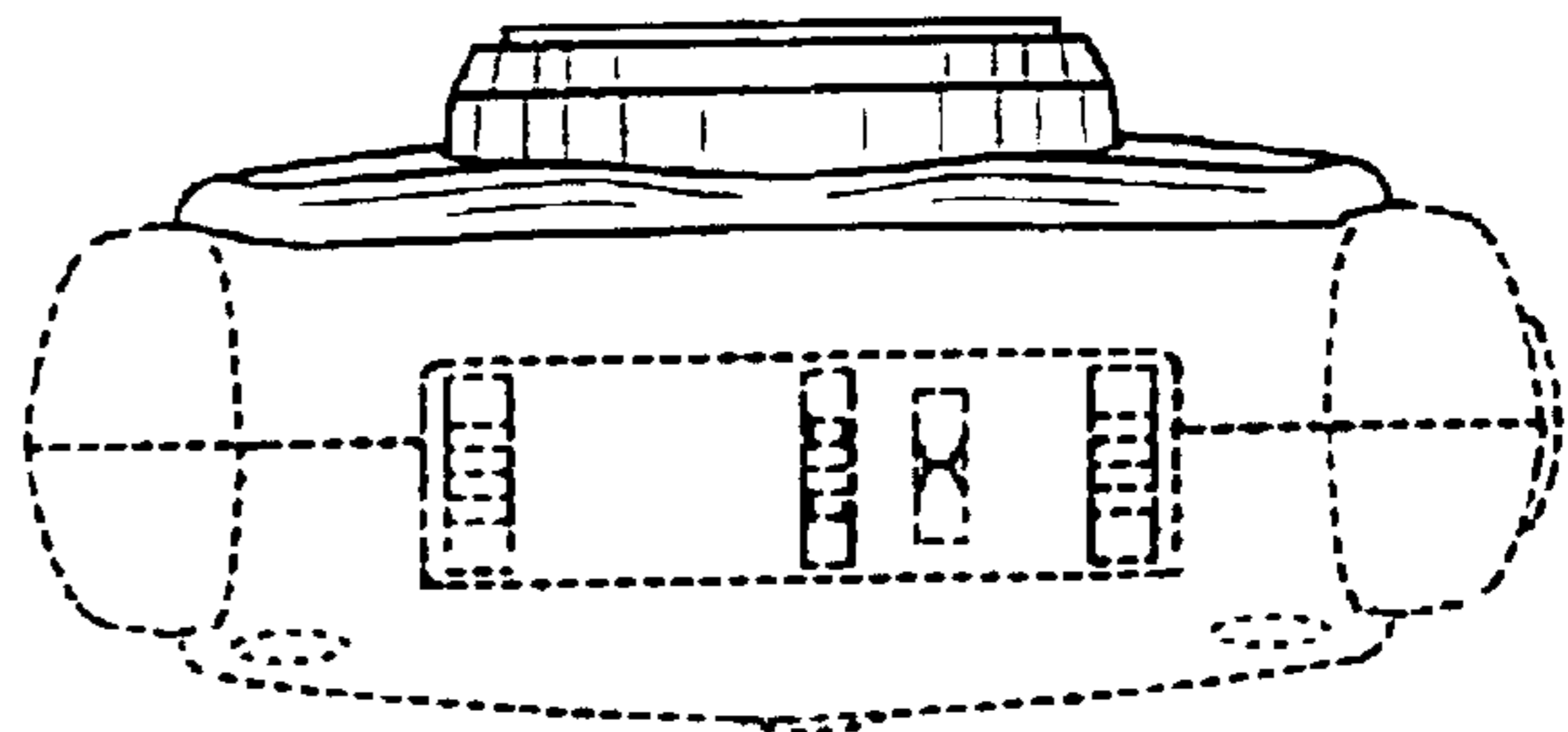


FIGURE 7