



US00D490452S

(12) **United States Design Patent**  
**Yong**

(10) **Patent No.:** **US D490,452 S**

(45) **Date of Patent:** **\*\* May 25, 2004**

(54) **DETACHABLE MAGNETIC SUN VISOR**

(75) Inventor: **Hua Chew Yong**, Singapore (SG)

(73) Assignee: **Kingdom Optical (S) Pte Ltd** (SG)

(\*\*) Term: **14 Years**

(21) Appl. No.: **29/175,657**

(22) Filed: **Feb. 8, 2003**

(30) **Foreign Application Priority Data**

Oct. 16, 2002 (SG) ..... D2002/1237/D

(51) **LOC (7) Cl.** ..... **16-06**

(52) **U.S. Cl.** ..... **D16/101**

(58) **Field of Search** ..... D16/101, 300-330,  
D16/900; D29/109, 110; D24/110.2; 351/41,  
44, 47, 51, 52, 57, 86, 103, 110, 158, 140;  
2/426, 431, 438, 443

(56) **References Cited**

**U.S. PATENT DOCUMENTS**

5,026,150	A	*	6/1991	Weber	.....	351/47
5,069,541	A	*	12/1991	Holmes et al.	.....	351/86
5,376,977	A	*	12/1994	Liu	.....	351/158
5,614,963	A	*	3/1997	Parker	.....	351/47
5,642,177	A	*	6/1997	Nishioka	.....	351/44
6,089,708	A	*	7/2000	Ku	.....	351/57
6,113,234	A	*	9/2000	Huang	.....	351/47
6,280,030	B1	*	8/2001	Chen	.....	351/86

**OTHER PUBLICATIONS**

Easyclip catalog, rear cover, 2001.\*

\* cited by examiner

*Primary Examiner*—Raphael Barkai

(57) **CLAIM**

The ornamental design for a detachable magnetic sun visor.

**DESCRIPTION**

FIG. 1 is a right side perspective elevational view of two pairs of eyeglasses—one rimless and the other with rim—including in operative position a detachable magnetic sun visor according to my new design;

FIG. 2 is a top plan view thereof;

FIG. 3 is a bottom plan view thereof;

FIG. 4 is a front elevational view thereof;

FIG. 5 is a rear elevational view thereof;

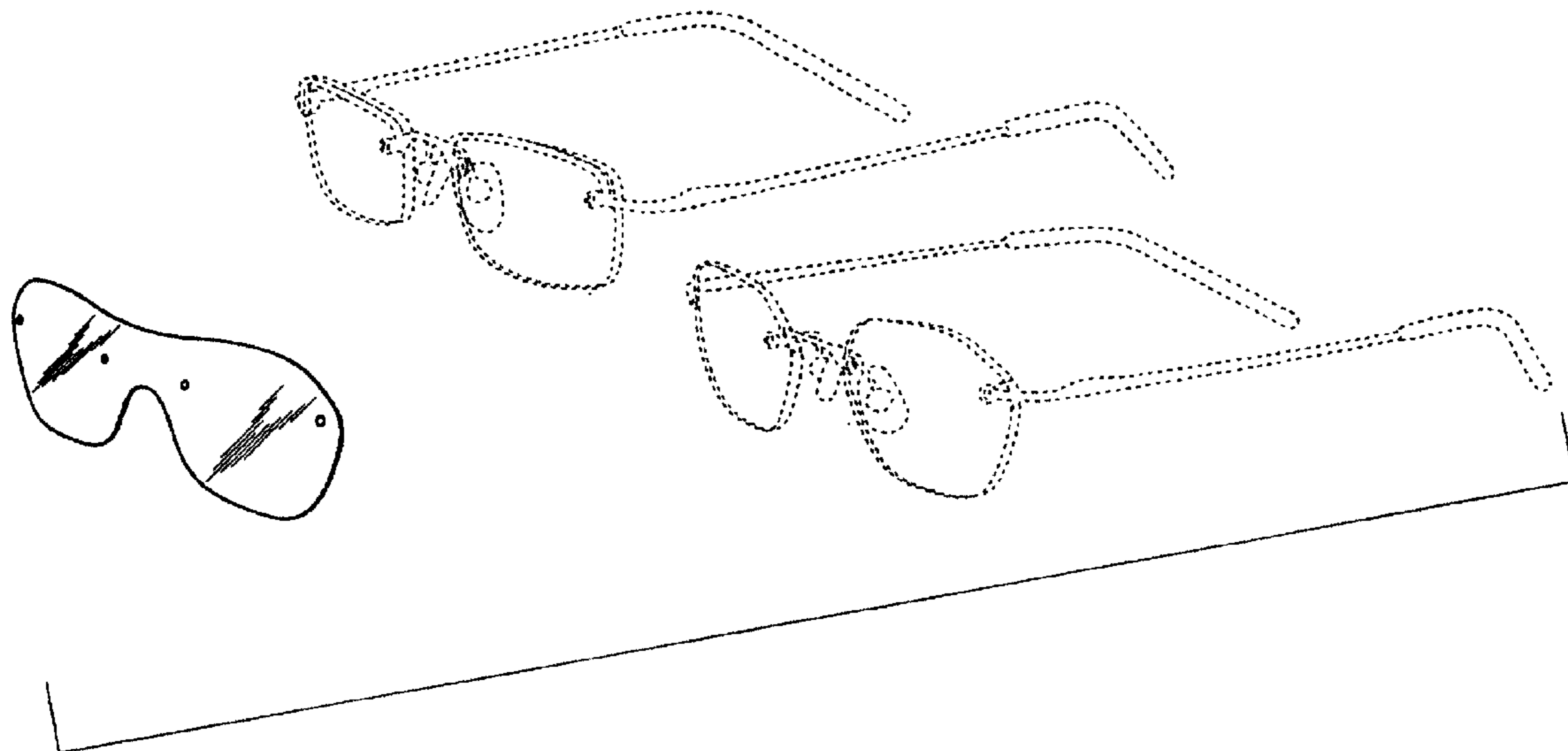
FIG. 6 is a left side elevational view thereof;

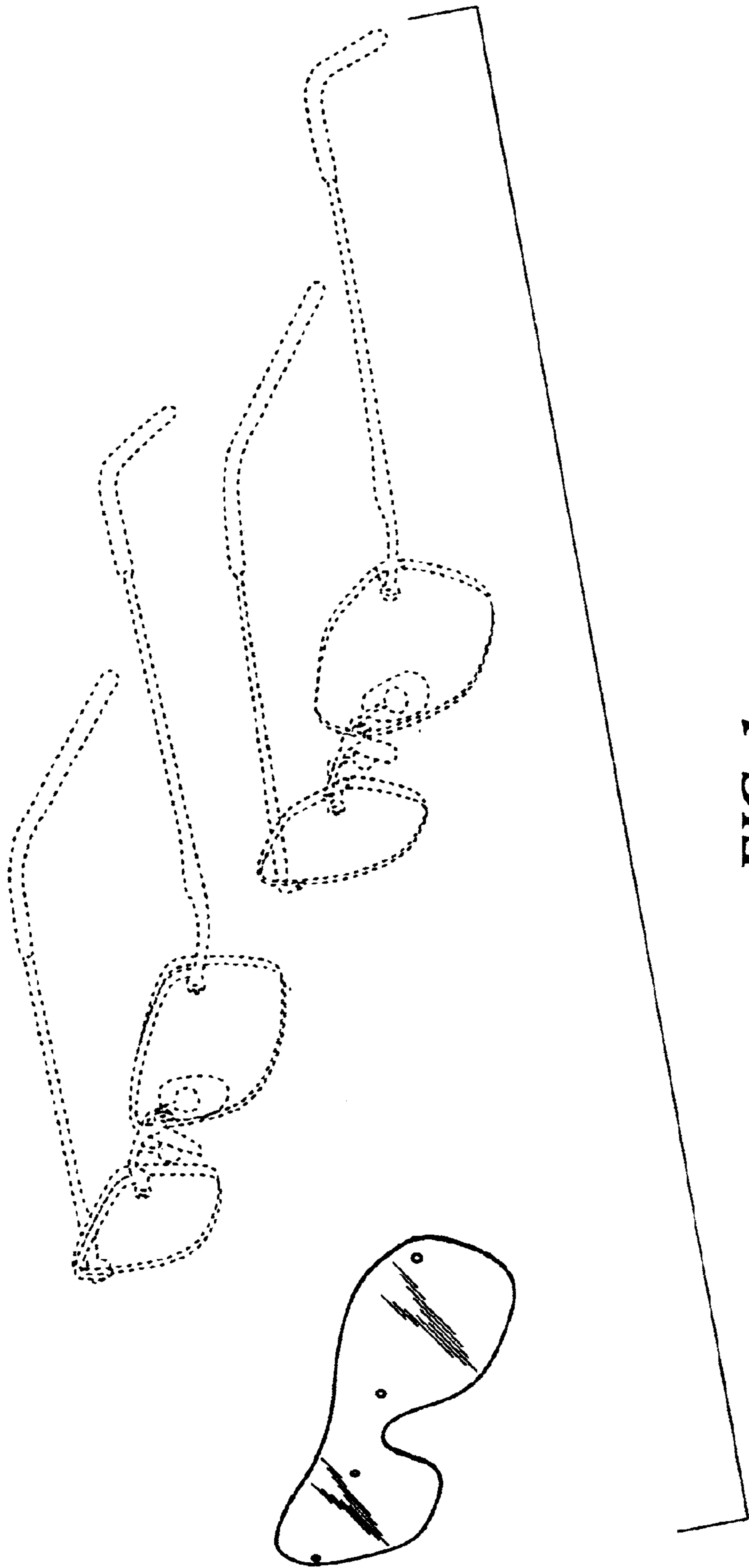
FIG. 7 is a right side elevational view thereof;

FIG. 8 is an alternate left elevational view showing the magnetic sun visor being detached from the eyeglasses; and, FIG. 9 is an alternate right elevational view showing the magnetic sun visor being detached from the eyeglasses.

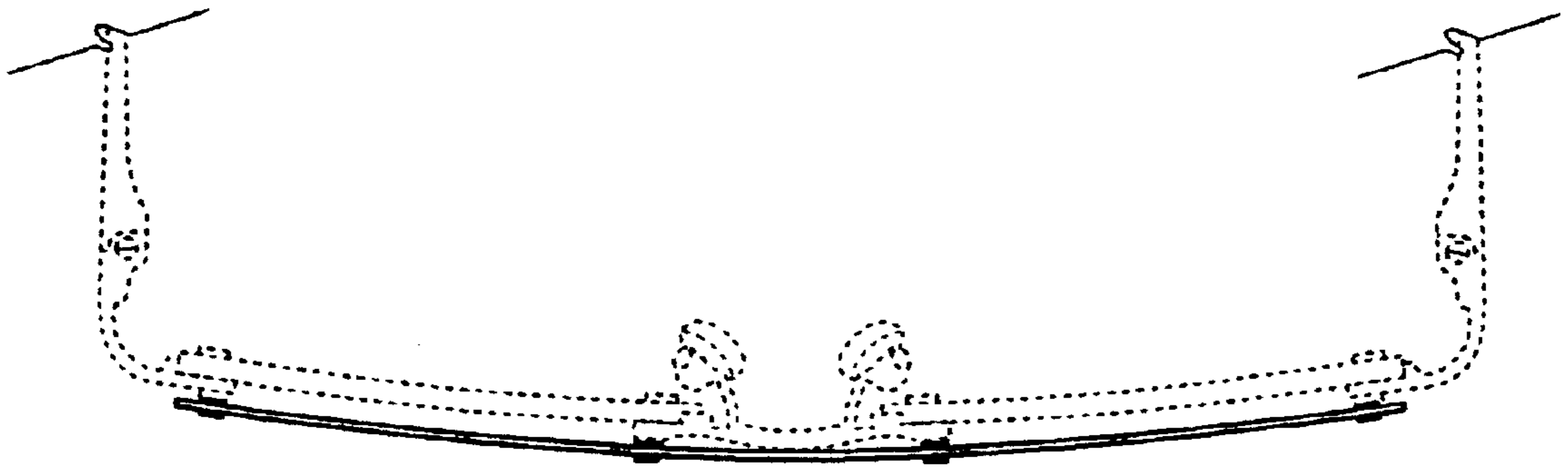
The matter shown in dashed lines in FIGS. 1, 2, 4 & 5 are environment to show two pairs of alternate eyeglasses that include in operative position a detachable magnetic sun visor according to my new design.

**1 Claim, 5 Drawing Sheets**

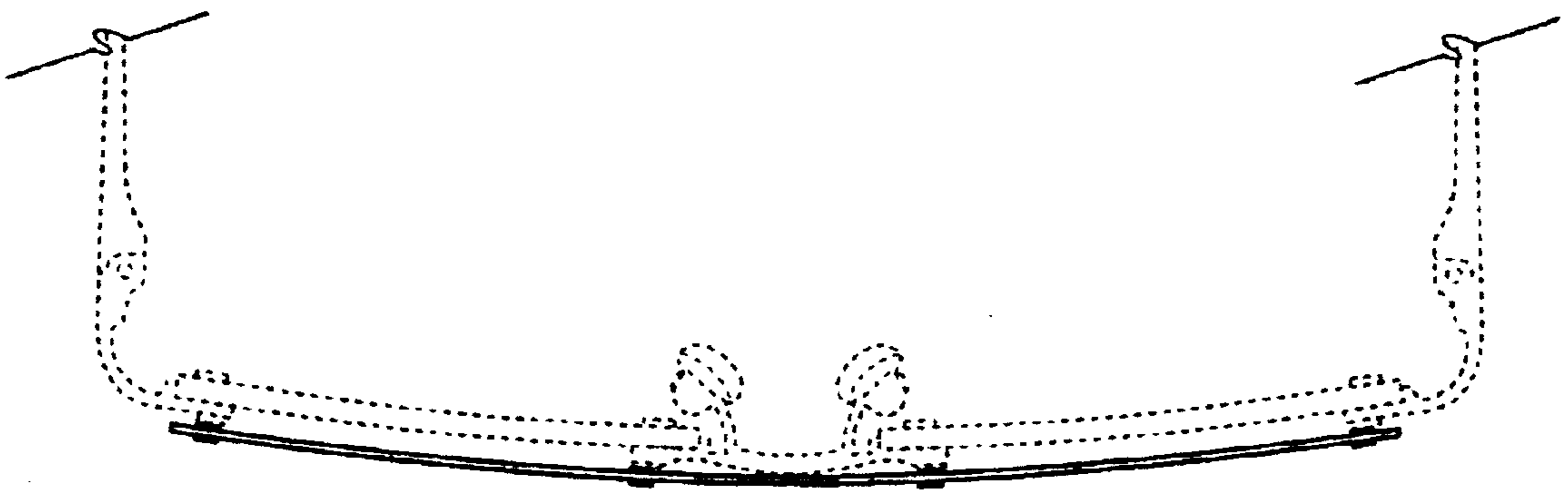




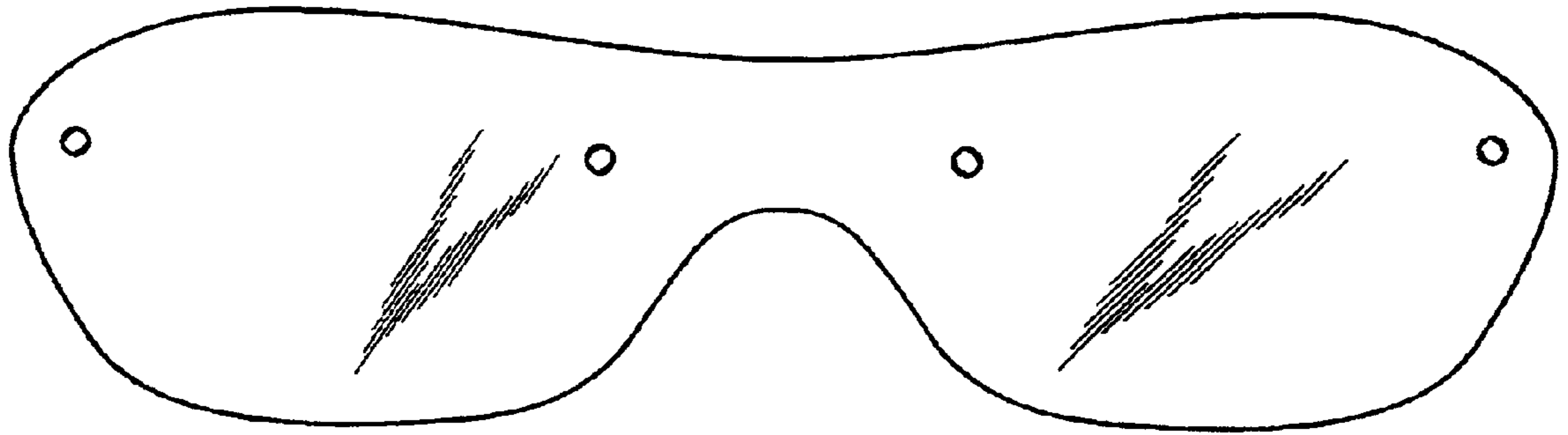
**FIG. 1**



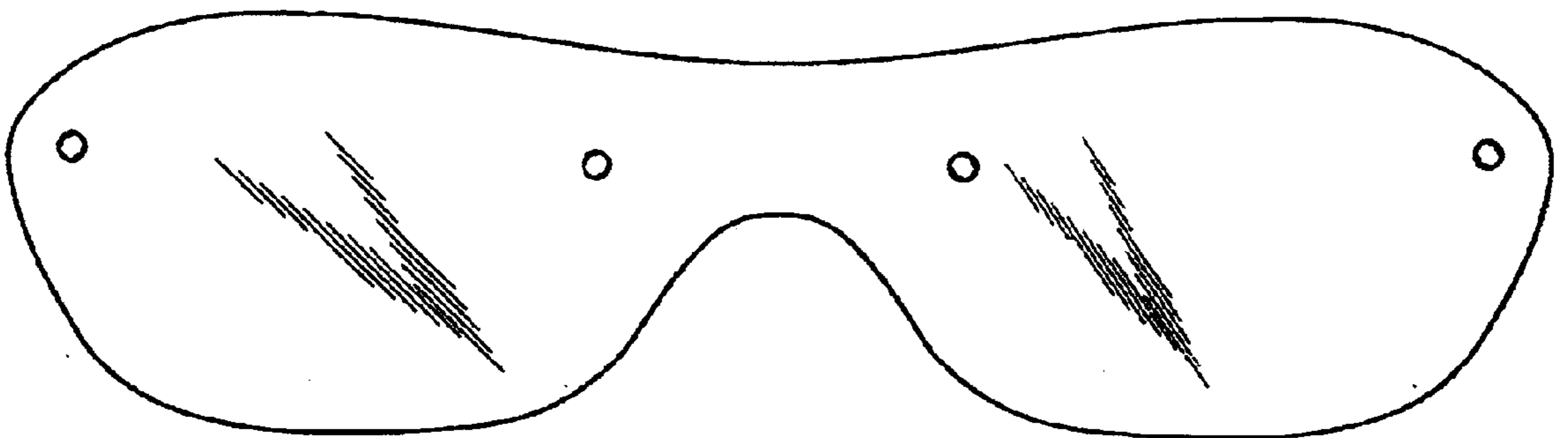
**FIG. 2**



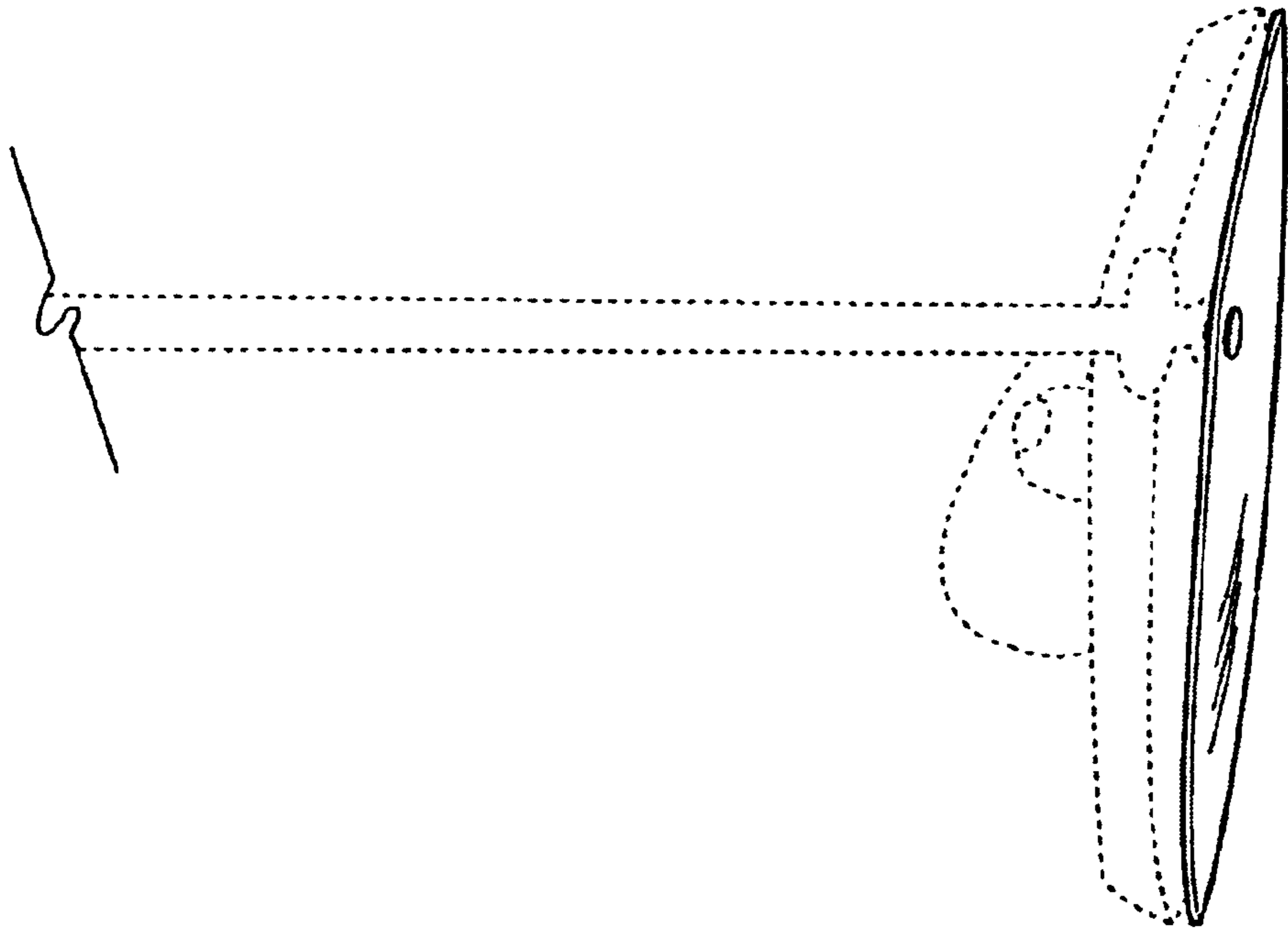
**FIG. 3**



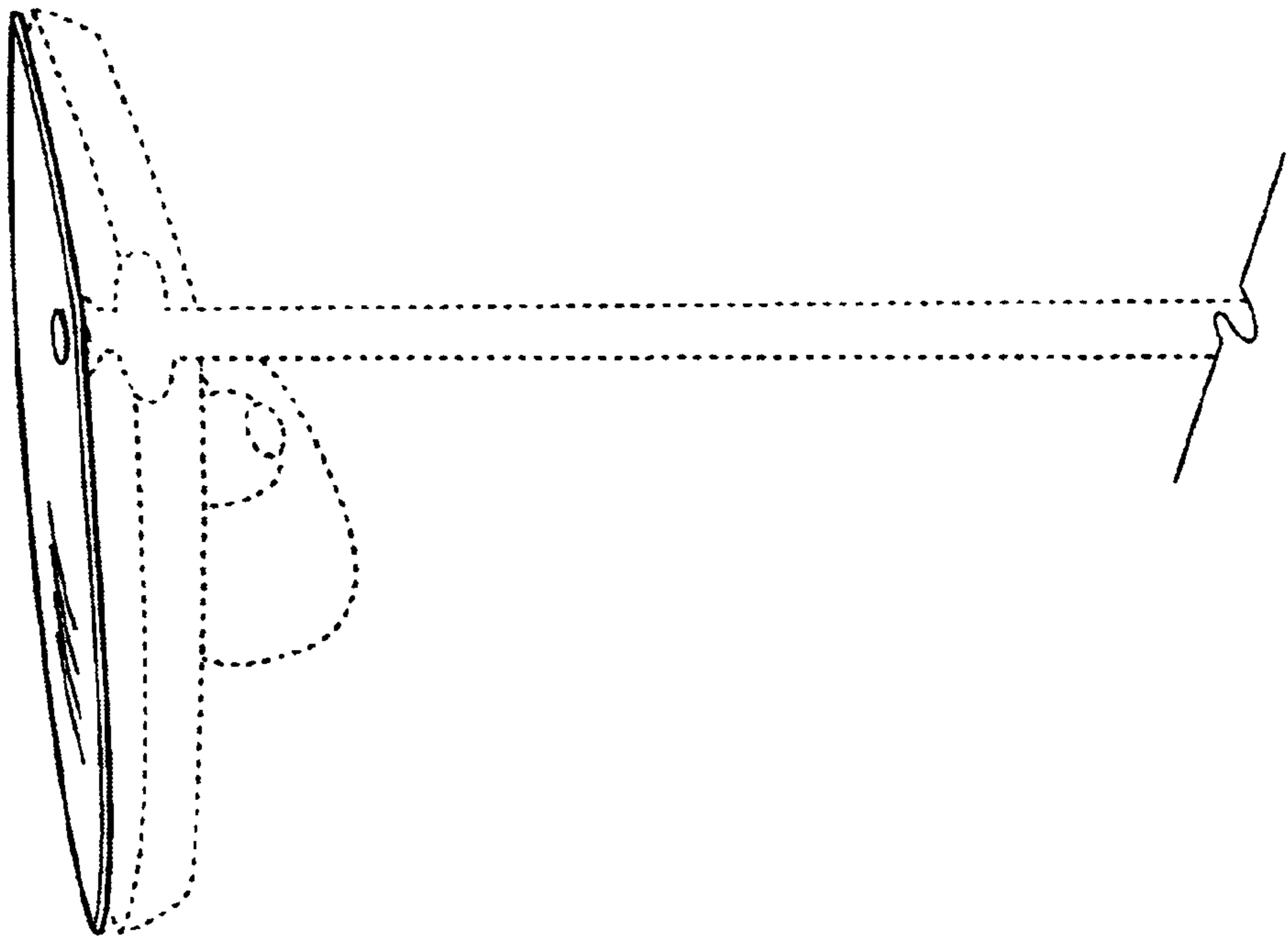
**FIG. 4**



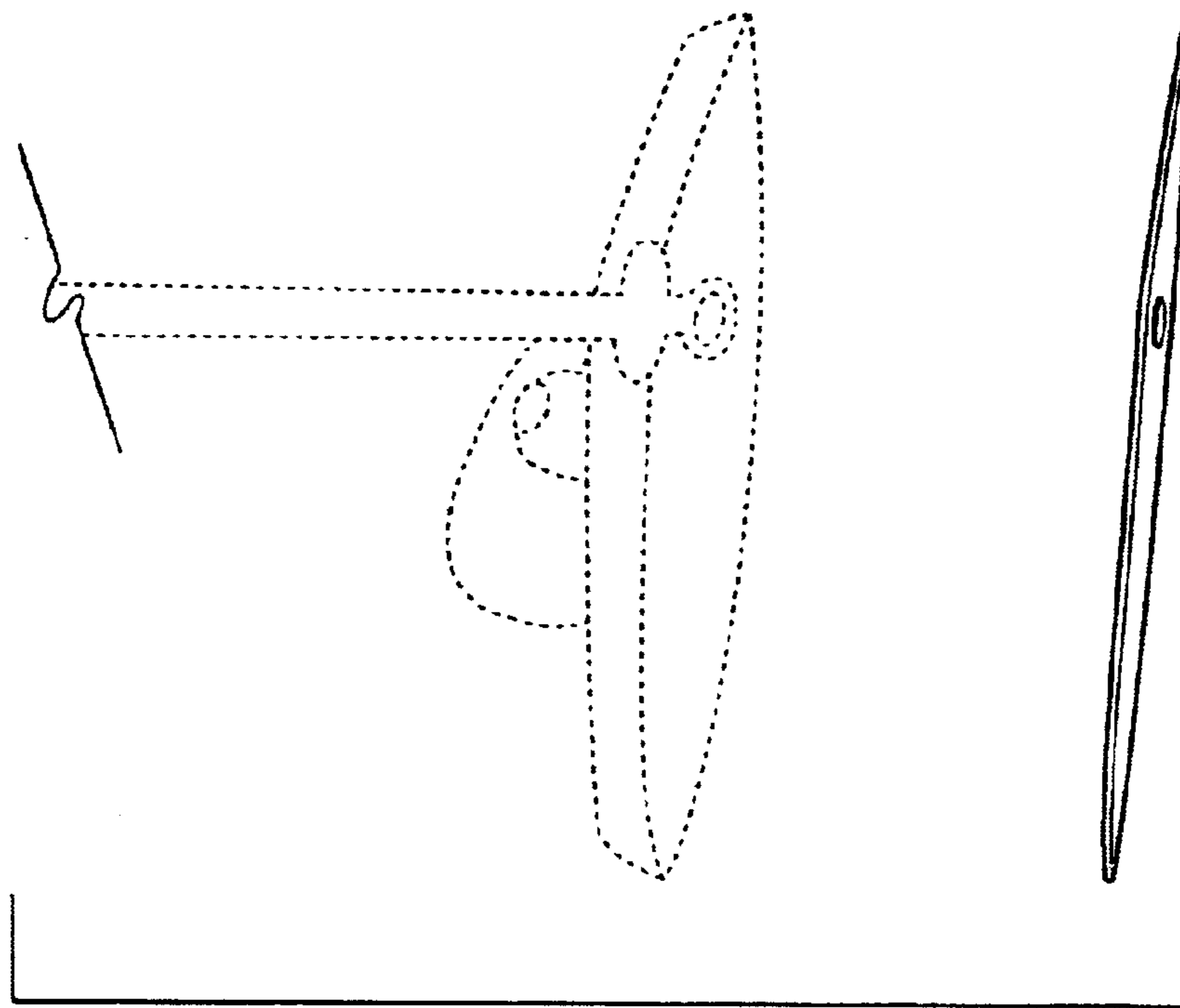
**FIG. 5**



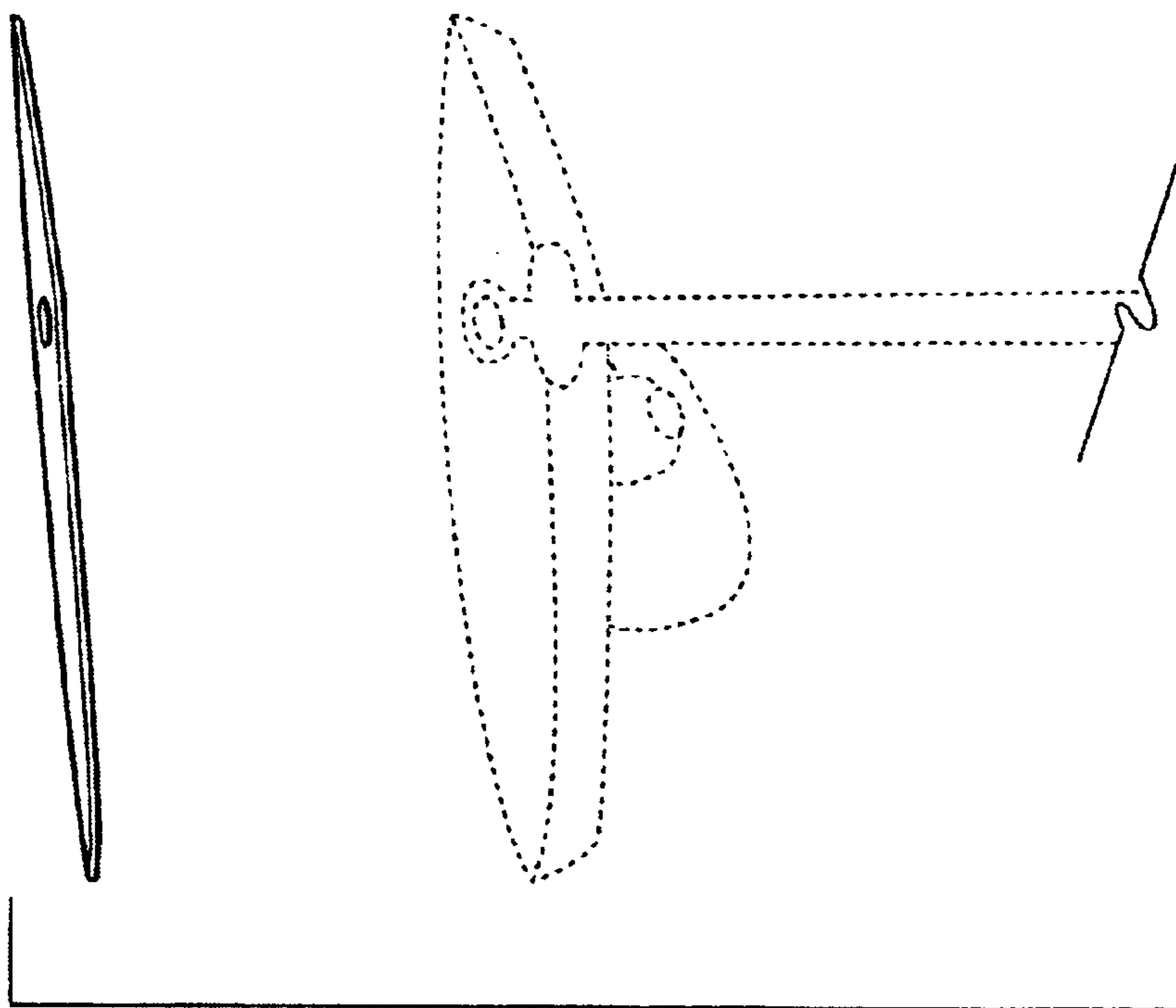
**FIG. 6**



**FIG. 7**



**FIG. 8**



**FIG. 9**