



US00D490451S

(12) **United States Design Patent**
Nagai et al.

(10) **Patent No.:** **US D490,451 S**

(45) **Date of Patent:** **** May 25, 2004**

(54) **VACUUM EJECTOR UNIT**

(75) Inventors: **Shigekazu Nagai**, Tokyo-to (JP);
Yoshiharu Ito, Toride (JP)

(73) Assignee: **SMC Kabushiki Kaisha**, Tokyo (JP)

(**) Term: **14 Years**

(21) Appl. No.: **29/172,049**

(22) Filed: **Dec. 4, 2002**

(30) **Foreign Application Priority Data**

Jun. 10, 2002 (JP) 2002-015557

(51) **LOC (7) Cl.** **15-99**

(52) **U.S. Cl.** **D15/199; D15/122**

(58) **Field of Search** D15/122, 199;
137/888, 889-895; 294/64.3, 64.1, 64.2;
53/79, 88, 510, 105, 408, 405, 403, 390;
269/21; 271/97, 98, 195; 406/88, 152, 153;
414/737, 752.1; 417/196, 198, 174, 151

(56) **References Cited**

U.S. PATENT DOCUMENTS

4,960,364 A * 10/1990 Tell 417/174

5,396,751 A * 3/1995 Chi 53/510
6,016,840 A * 1/2000 Popov et al. 137/888
6,467,825 B1 * 10/2002 Wicen 294/64.3

* cited by examiner

Primary Examiner—Antoine Duval Davis

(74) *Attorney, Agent, or Firm*—Frishauf, Holtz, Goodman & Chick, P.C.

(57) **CLAIM**

The ornamental design for a vacuum ejector unit, as shown and described.

DESCRIPTION

FIG. 1 is a top, front and left-side perspective view of a vacuum ejector unit showing our new design;
FIG. 2 is a front view thereof, the rear view being a mirror image;
FIG. 3 is a left side view thereof;
FIG. 4 is a right side view thereof;
FIG. 5 is a top plan view thereof; and,
FIG. 6 is a bottom plan view thereof.

1 Claim, 4 Drawing Sheets

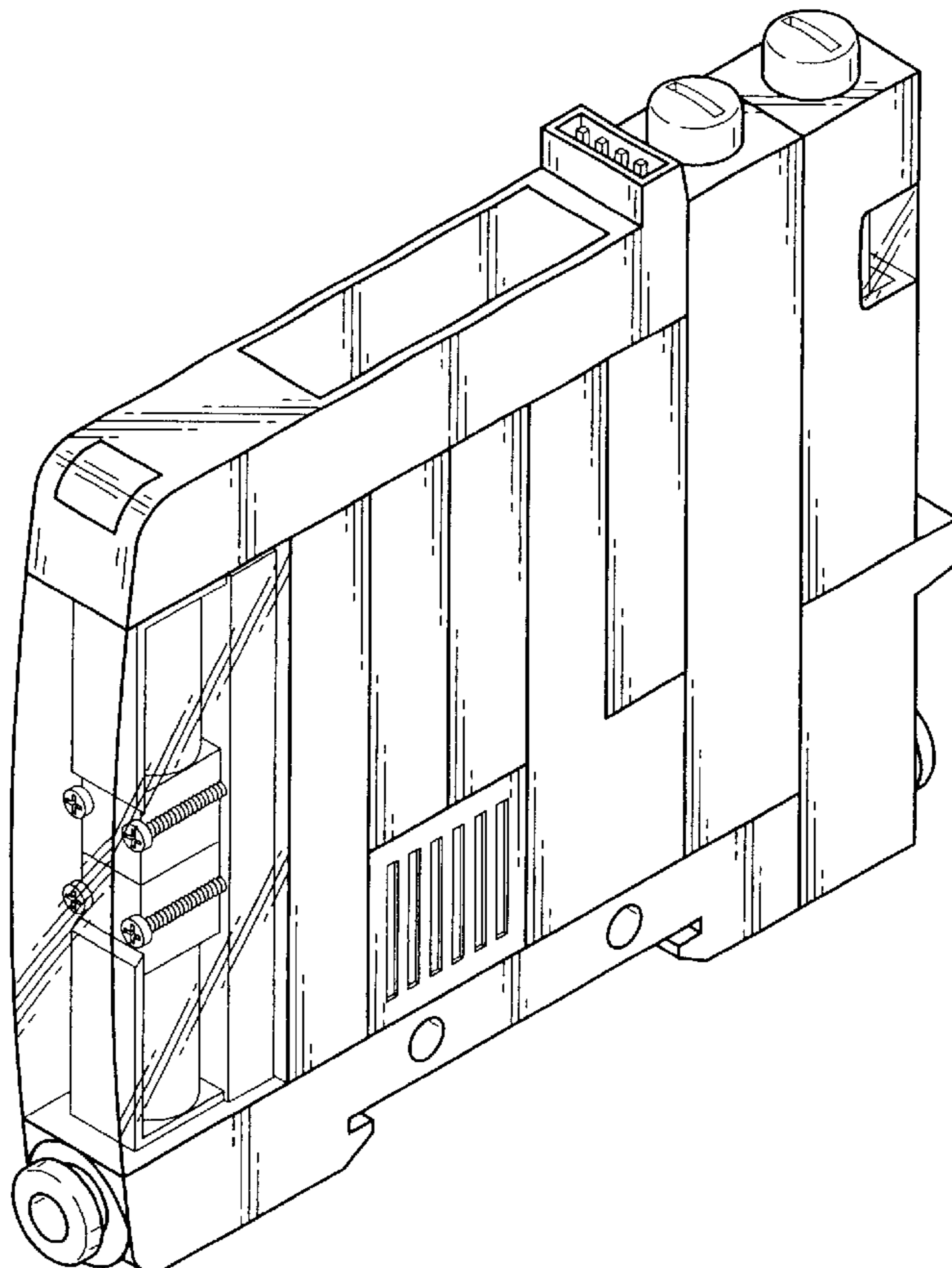


FIG. 1

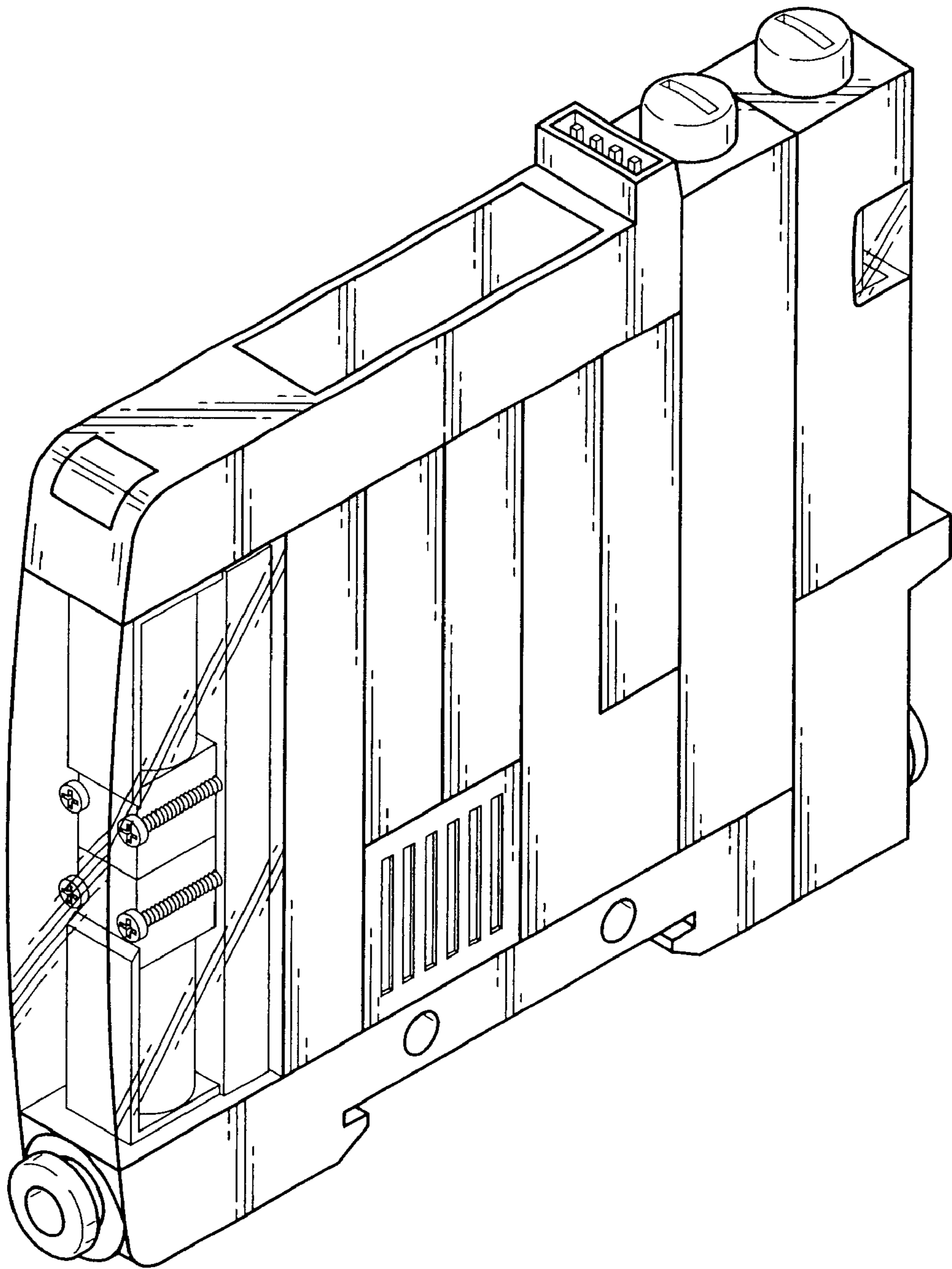


FIG. 2

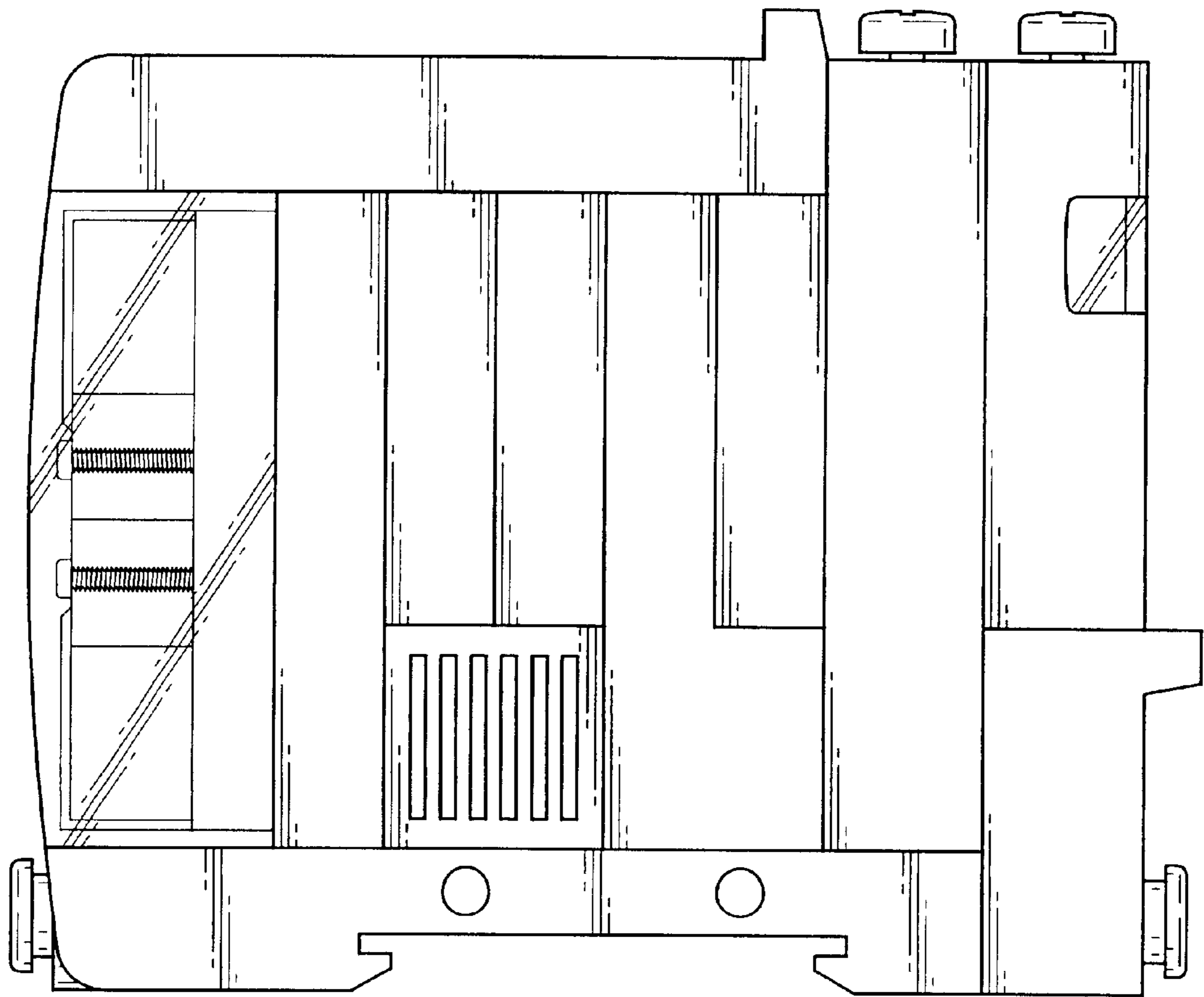


FIG. 3

FIG. 4

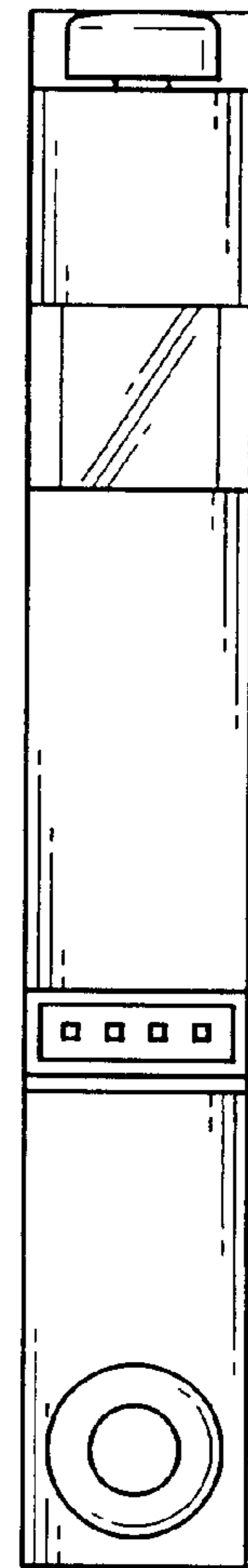
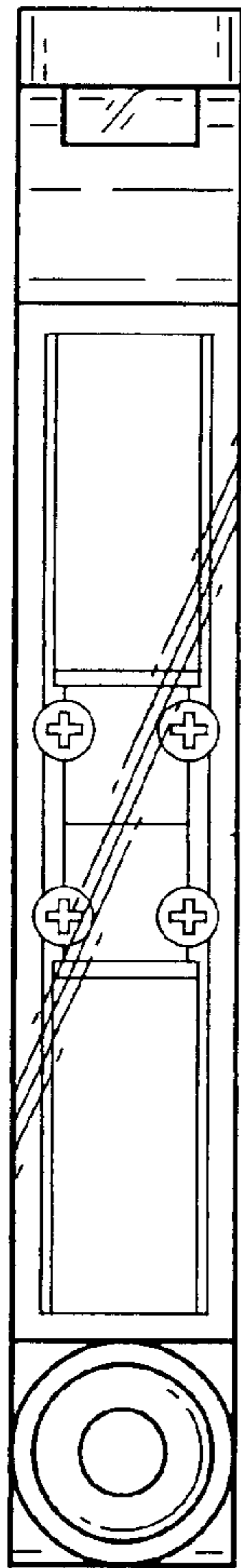


FIG. 5

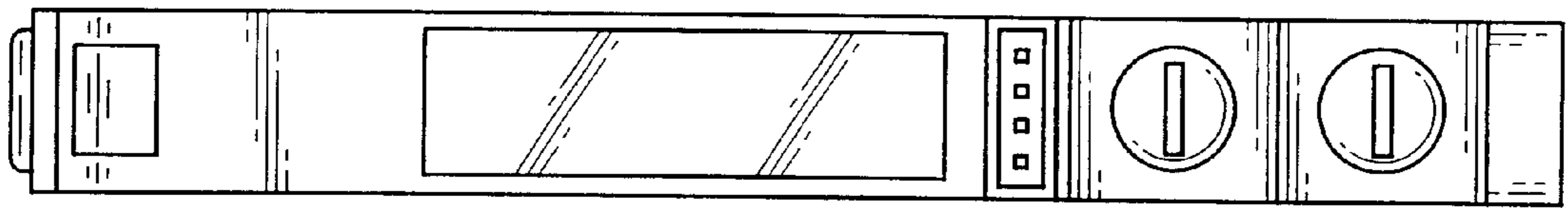


FIG. 6

