



US00D490447S

(12) **United States Design Patent**
Ronfeldt et al.

(10) **Patent No.:** **US D490,447 S**

(45) **Date of Patent:** **** May 25, 2004**

(54) **ROLL SHELL**

(75) Inventors: **Ron R. Ronfeldt**, Harlan, IA (US);
Christine D. Petersen, Harlan, IA (US)

(73) Assignee: **Jacobs Corporation**, Harlan, IA (US)

(**) Term: **14 Years**

(21) Appl. No.: **29/168,722**

(22) Filed: **Oct. 8, 2002**

(51) **LOC (7) Cl.** **15-09**

(52) **U.S. Cl.** **D15/143**

(58) **Field of Search** D15/143; 101/328,
101/487; 264/142; 219/469, 470; 425/310,
331, 365, 812, DIG. 230

(56) **References Cited**

U.S. PATENT DOCUMENTS

4,983,343 A * 1/1991 Lund 264/142
5,450,793 A * 9/1995 Dobson et al. 101/487

* cited by examiner

Primary Examiner—Antoine Duval Davis

(74) *Attorney, Agent, or Firm*—Strum & Fix LLP

(57) **CLAIM**

The ornamental design for a roll shell, as shown and described.

DESCRIPTION

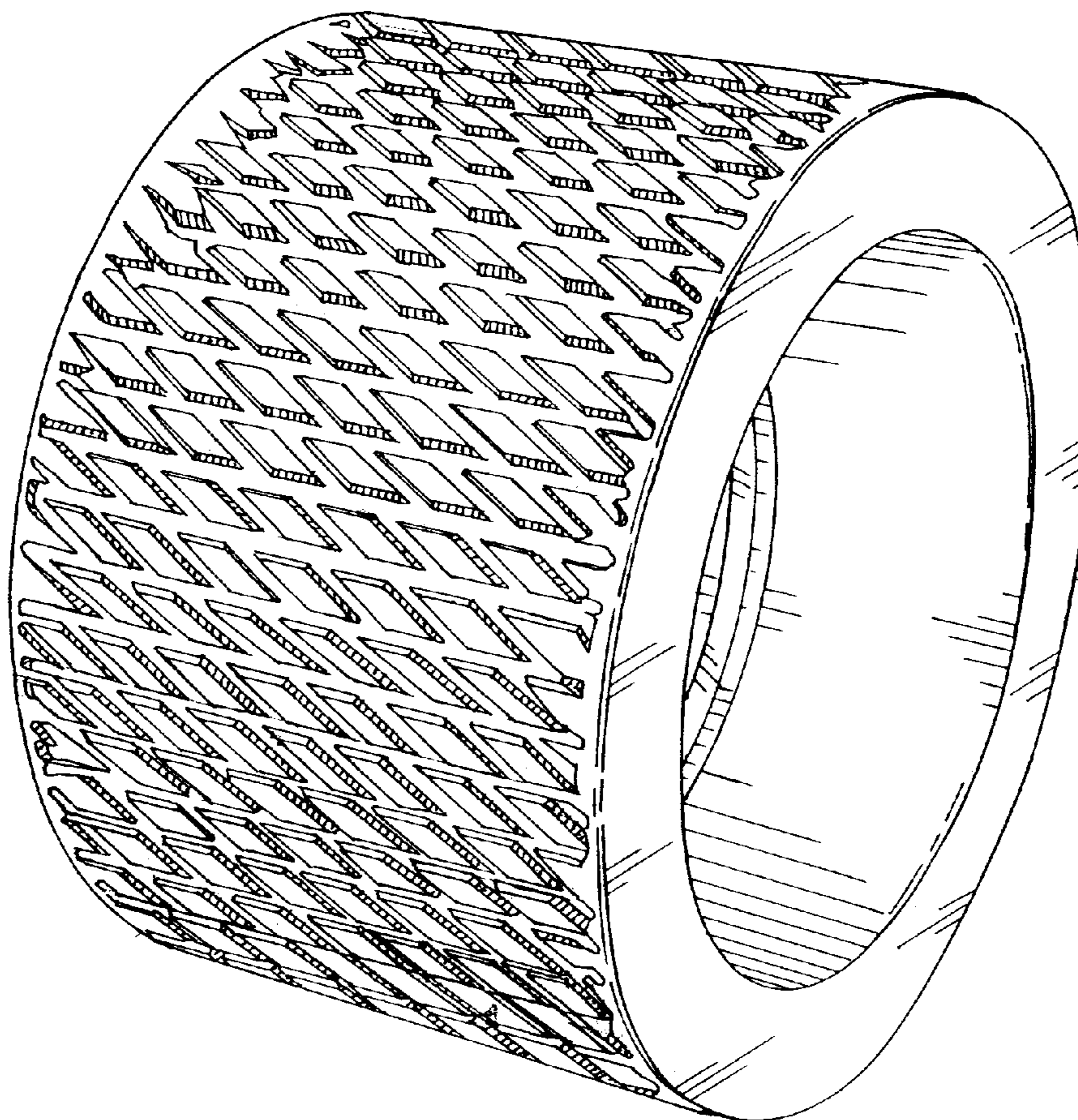
A portion of the disclosure of this patent document, including appendices, may contain material which is subject to copyright protection. The copyright owner has no objection to the facsimile reproduction by anyone of the patent document or the patent disclosure, as it appears in the Patent and Trademark Office patent file or records, but otherwise reserves all copyright rights whatsoever.

FIG. 1 is a perspective view of a roll shell showing our new design;

FIG. 2 is a front side elevational view, the top, bottom, and rear views being the same as the side shown; and,

FIG. 3 is an end view, the opposite end being the same as the end shown in FIG. 3.

1 Claim, 1 Drawing Sheet



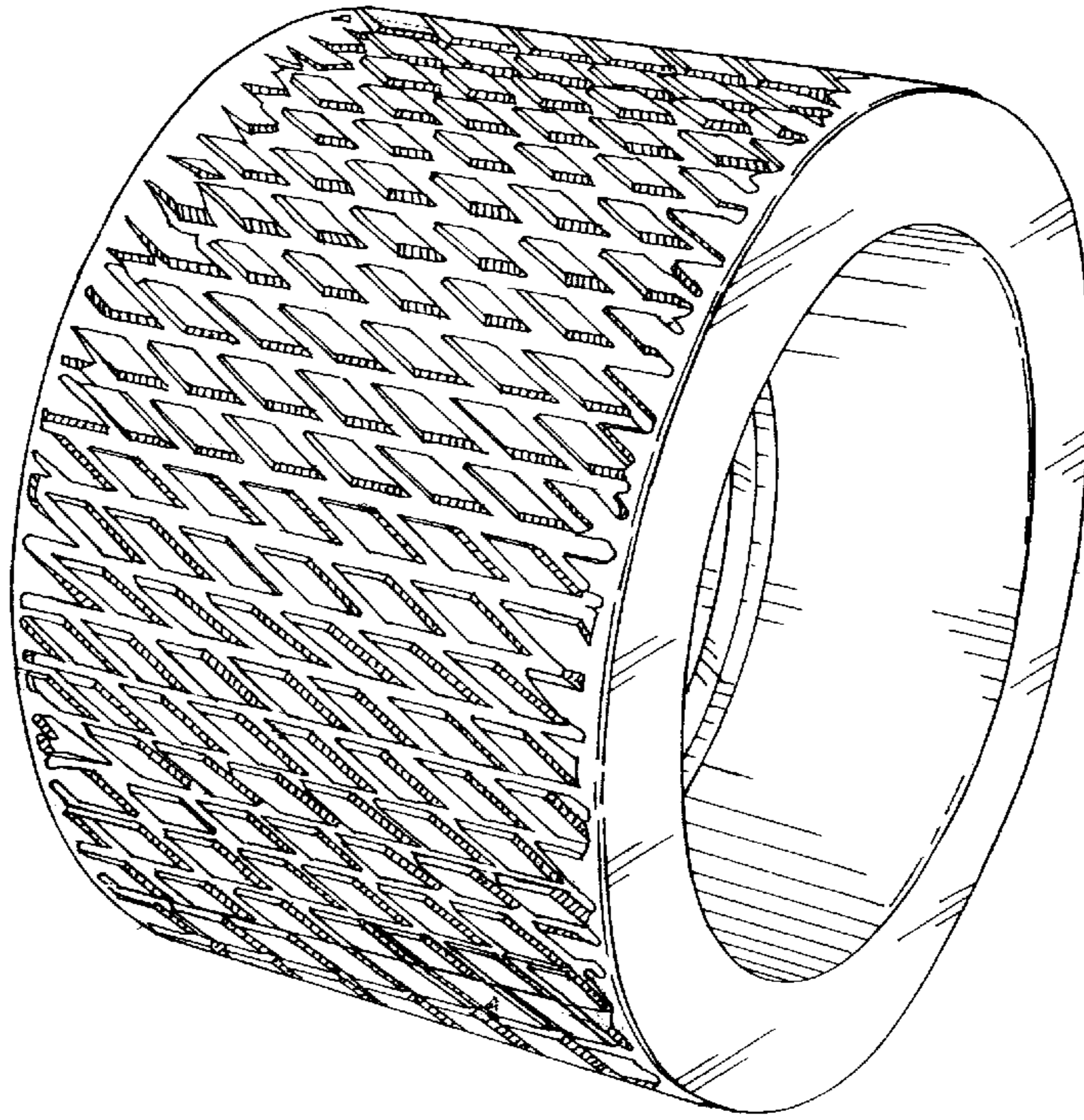


Fig. 1

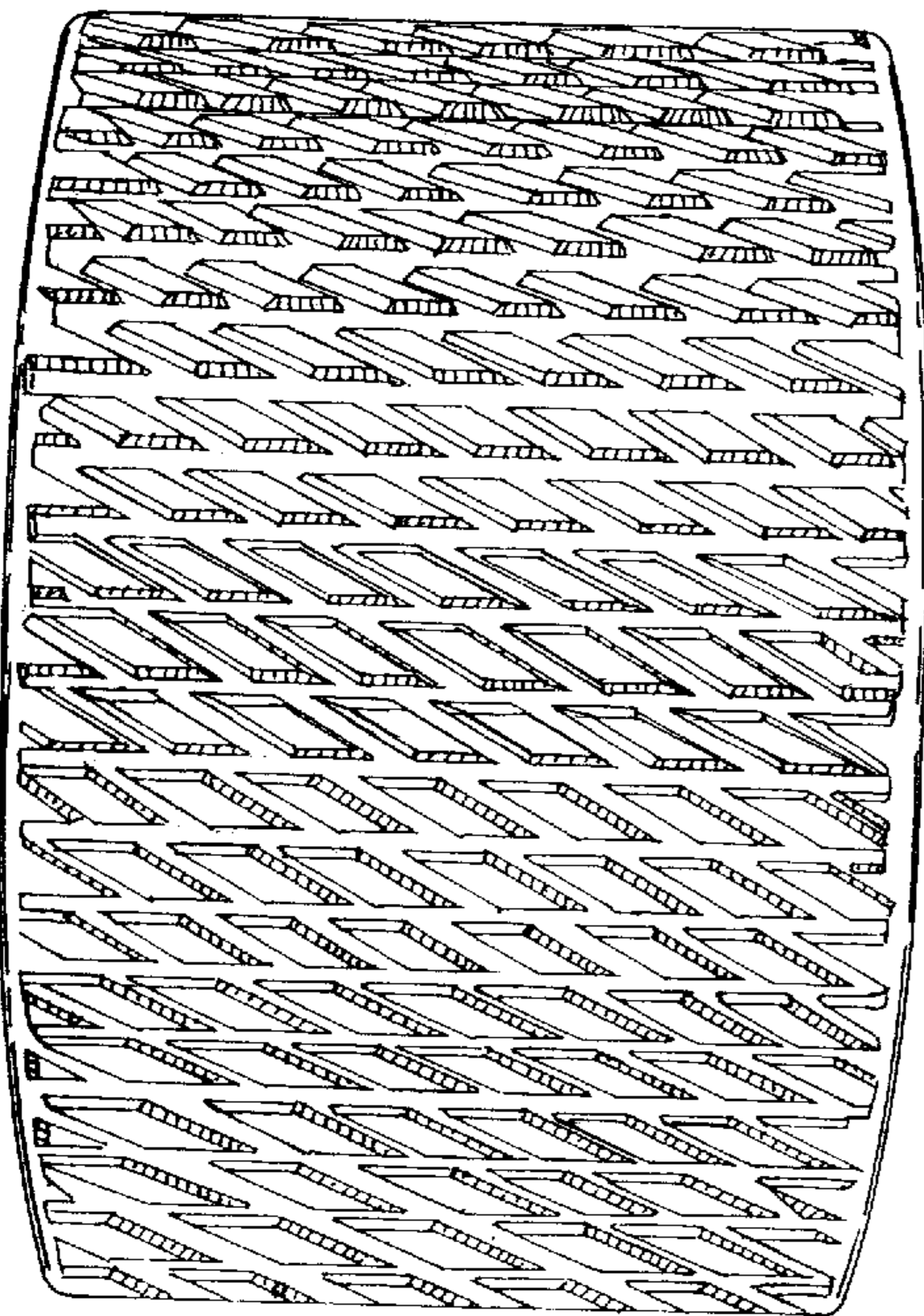


Fig. 2

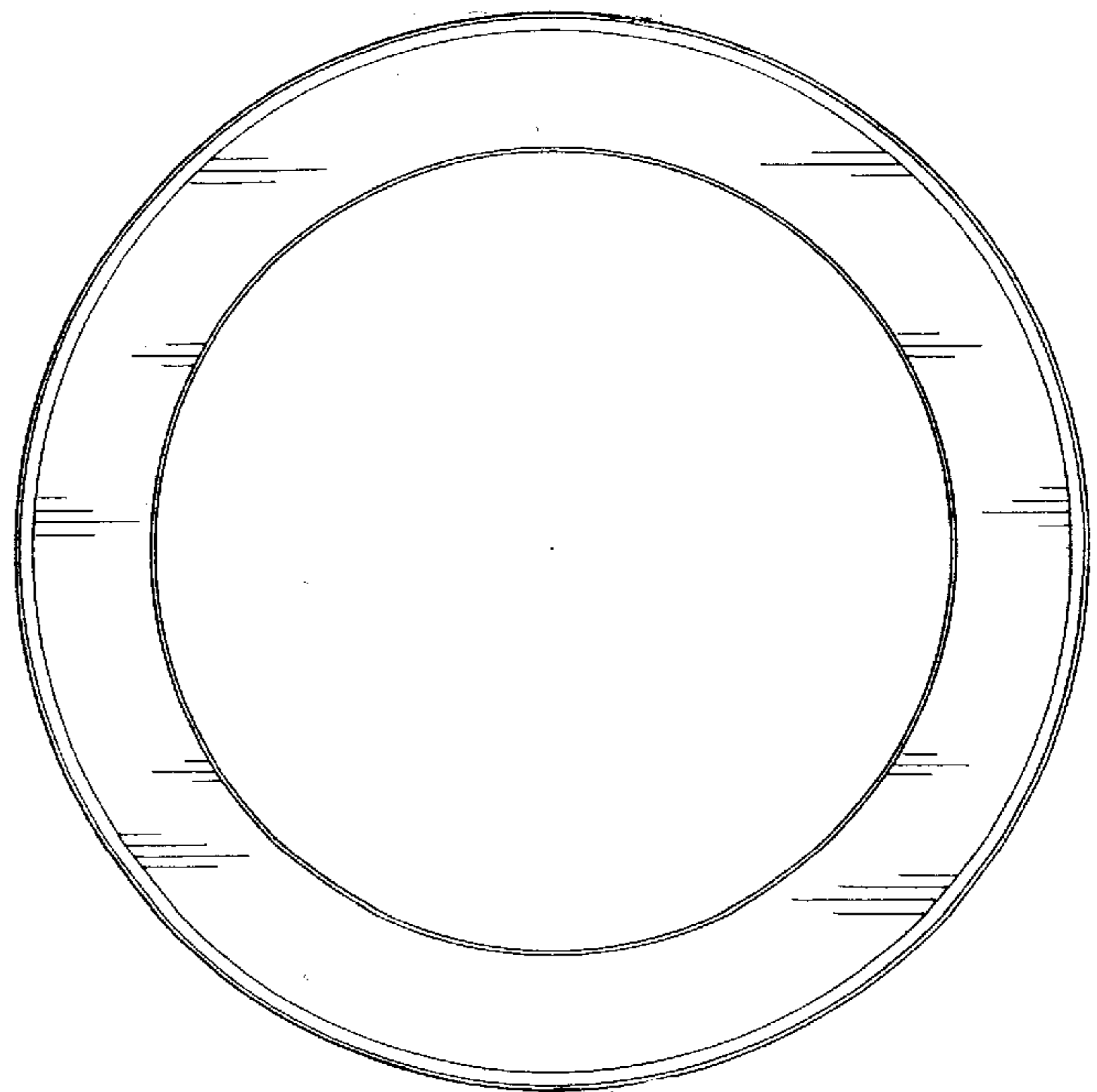


Fig. 3