



US00D490445S

(12) **United States Design Patent**  
**Quantz et al.**

(10) **Patent No.:** **US D490,445 S**

(45) **Date of Patent:** **\*\* May 25, 2004**

(54) **CRACKING DIE FOR A NUTCRACKING DIE ASSEMBLY**

6,182,562 B1 2/2001 Quantz et al.  
D442,189 S 5/2001 Quantz et al.

(75) Inventors: **James B. Quantz**, Lexington, SC (US);  
**Pascal W. Pitts**, Cayce, SC (US); **John L. Feaster**, Columbia, SC (US)

*Primary Examiner*—Antoine Duval Davis  
(74) *Attorney, Agent, or Firm*—Alston & Bird LLP

(73) Assignee: **Machine Design Incorporated**, West Columbia, SC (US)

(57) **CLAIM**

The ornamental design for a cracking die for a nutcracking die assembly, as shown and described.

(\*\*) Term: **14 Years**

**DESCRIPTION**

(21) Appl. No.: **29/171,215**

FIG. 1 is a perspective view of a cracking die for a nutcracking die assembly which embodies the present invention;

(22) Filed: **Nov. 19, 2002**

FIG. 2 is a side elevation view of the cracking die shown in FIG. 1;

(51) **LOC (7) Cl.** ..... **15-09**

(52) **U.S. Cl.** ..... **D15/123**

(58) **Field of Search** ..... D15/122, 123;  
30/120.1–120.5; 99/568, 571–576, 577–579,  
580–583, 600; 198/622; 426/481, 482

FIG. 3 is a front elevation view of the cracking die shown in FIG. 1;

FIG. 4 is a rear elevation view of the cracking die shown in FIG. 1; and,

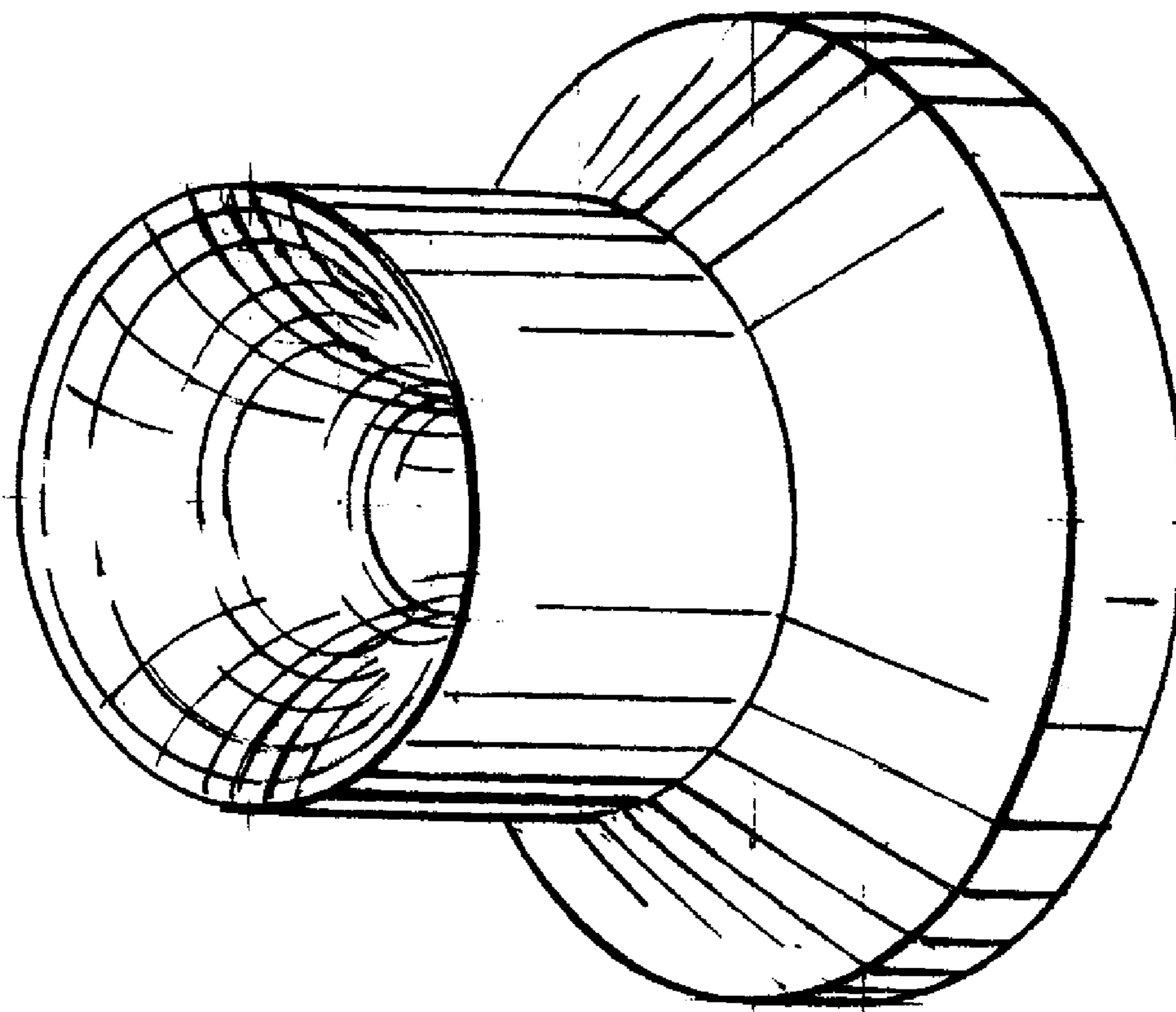
(56) **References Cited**

FIG. 5 is a sectional view taken along the line 5—5 in FIG. 3.

**U.S. PATENT DOCUMENTS**

4,441,414 A 4/1984 Quantz

**1 Claim, 1 Drawing Sheet**



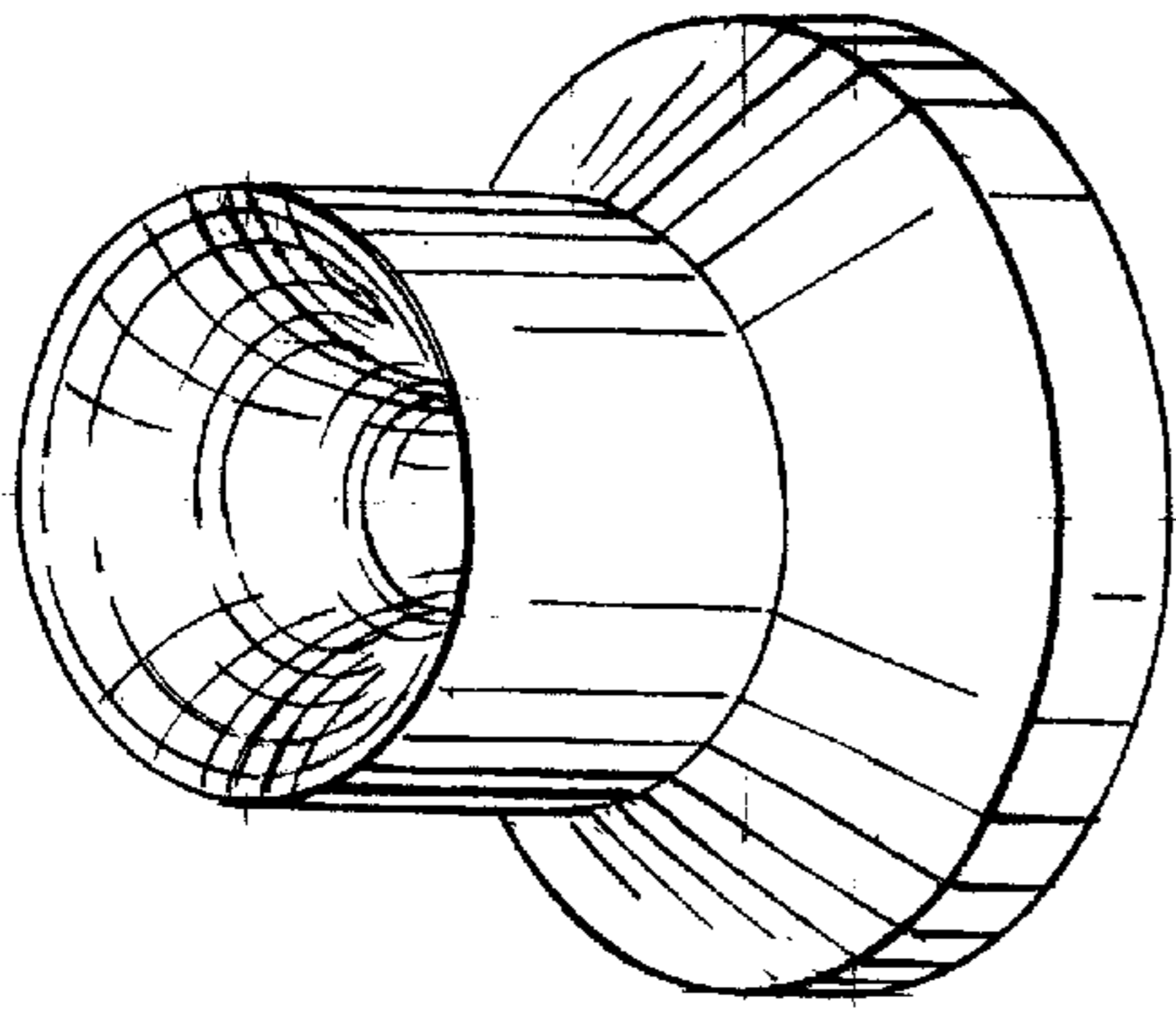


FIG. 1.

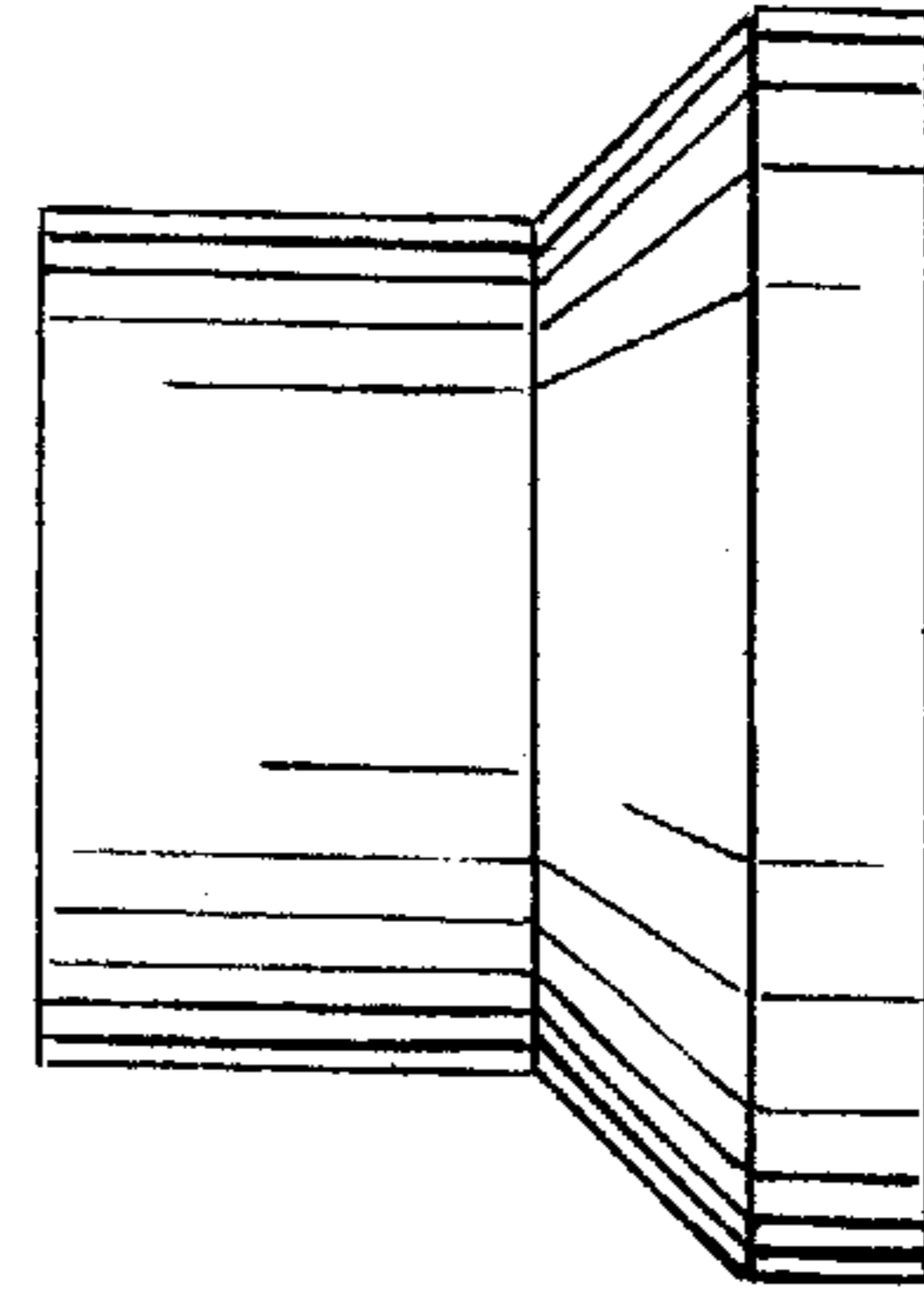


FIG. 2.

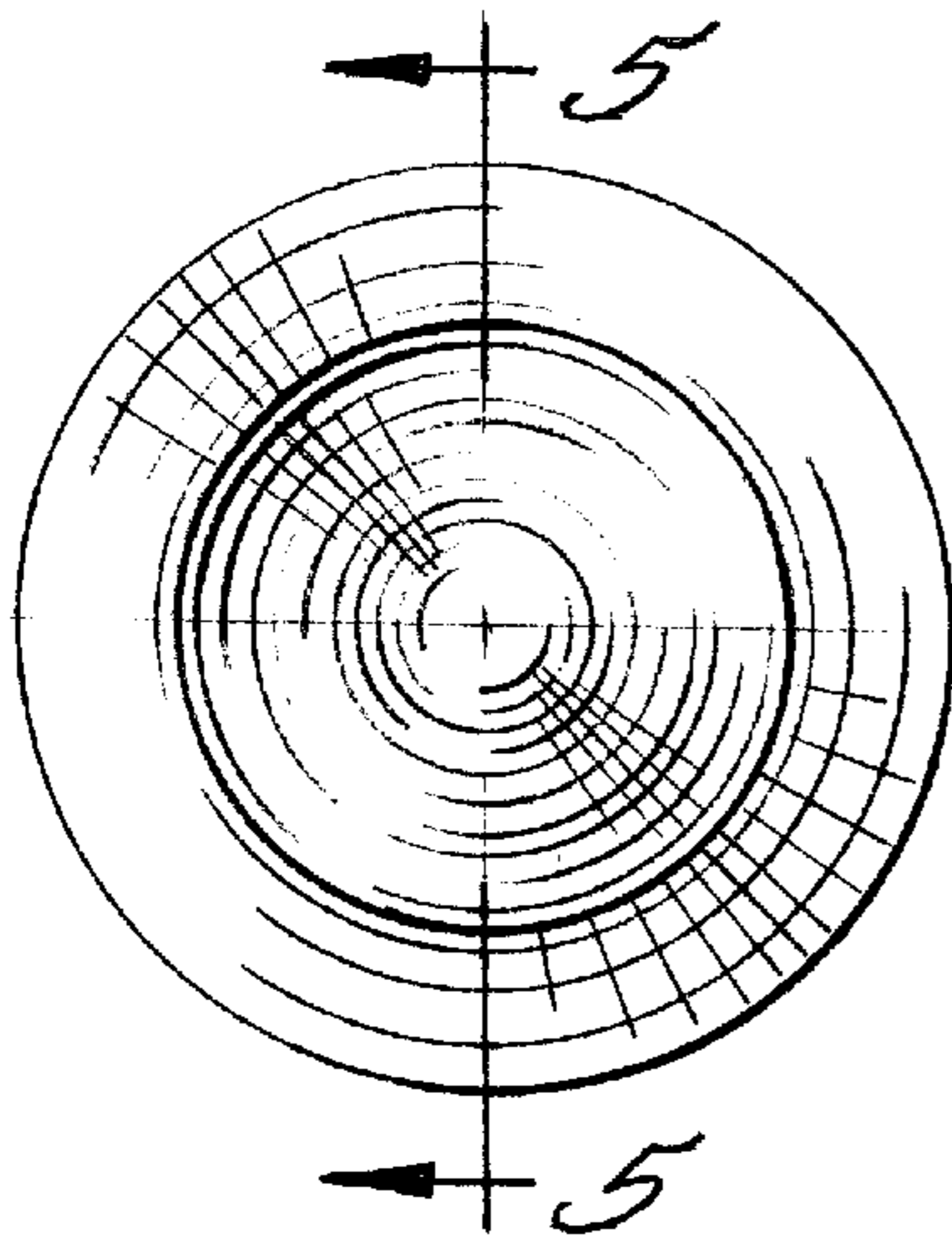


FIG. 3.

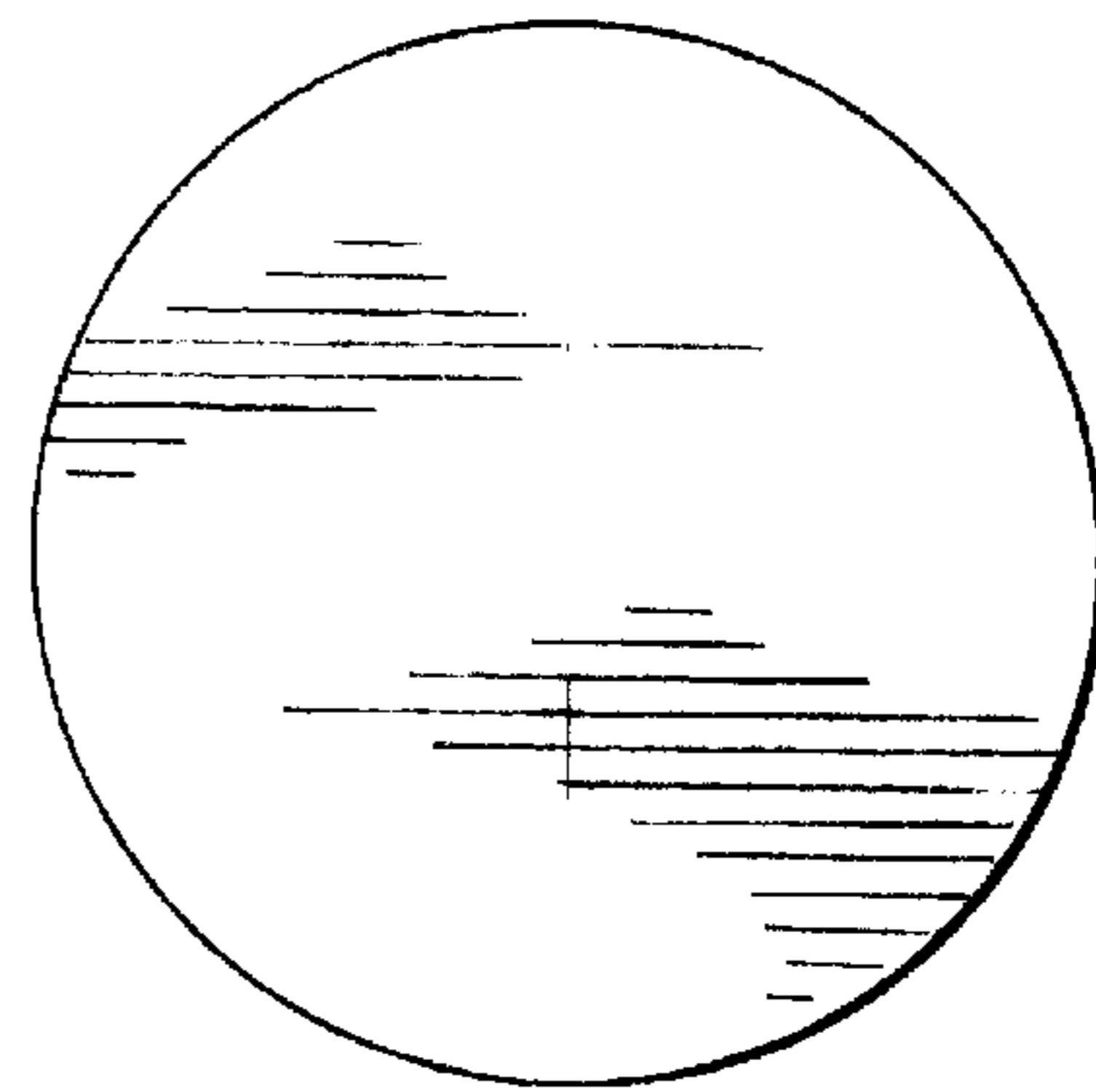


FIG. 4.

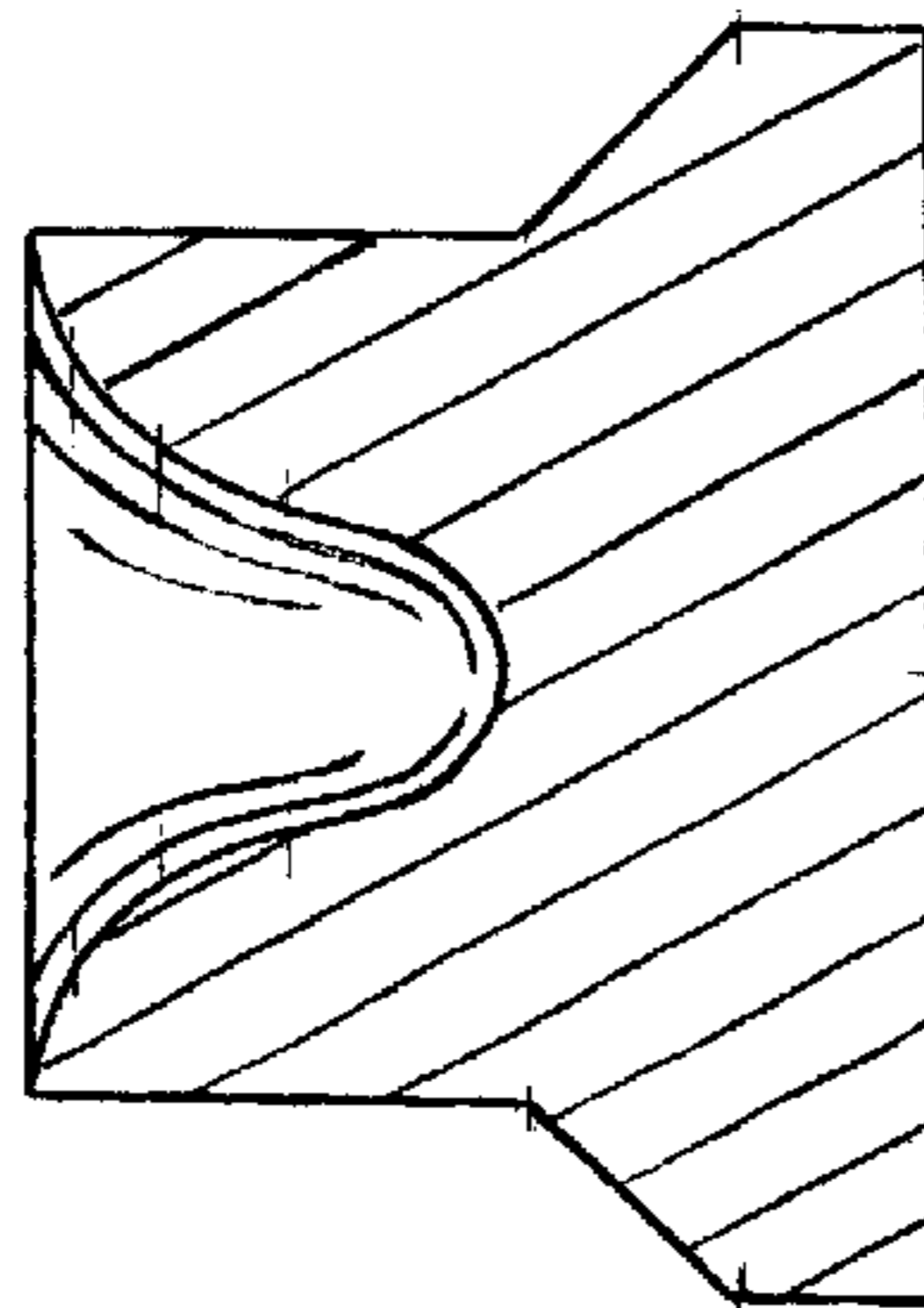


FIG. 5.