



US00D490443S

(12) **United States Design Patent**
Cao

(10) **Patent No.:** **US D490,443 S**

(45) **Date of Patent:** **** May 25, 2004**

(54) **STUMP GRIND TEETH**

(76) **Inventor:** **Guo Fang Cao**, 440 Lucera Ct., #308,
Pomona, CA (US) 91766

(**) **Term:** **14 Years**

(21) **Appl. No.:** **29/179,217**

(22) **Filed:** **Apr. 7, 2003**

(51) **LOC (7) Cl.** **15-03**

(52) **U.S. Cl.** **D15/29**

(58) **Field of Search** D15/10, 21, 22-26,
D15/28, 29; 37/342, 453-457; 172/699,
713, 762

(56) **References Cited**

U.S. PATENT DOCUMENTS

2,951,300	A	*	9/1960	Ratkowski	37/457
3,013,620	A	*	12/1961	Hill	172/762
3,063,176	A	*	11/1962	Larson	37/453
D194,508	S	*	2/1963	Cain	D15/29
3,079,710	A	*	3/1963	Larsen et al.	37/455

3,312,004	A	*	4/1967	Johnson	37/457
D237,644	S	*	11/1975	Williams	D15/29
D243,843	S	*	3/1977	Edwards	D15/29
D296,442	S	*	6/1988	Broomhall	D15/29
D461,832	S	*	8/2002	Ketting et al.	D15/29

* cited by examiner

Primary Examiner—Mitchell Siegel

(74) *Attorney, Agent, or Firm*—Joe Nieh

(57) **CLAIM**

The ornamental design for a stump grind teeth, as shown and described.

DESCRIPTION

FIG. 1 is a front view of a stump grind teeth showing my new design;
FIG. 2 is a left side view thereof;
FIG. 3 is a right side view thereof;
FIG. 4 is a bottom view thereof;
FIG. 5 is a rear view thereof; and,
FIG. 6 is a top view thereof.

1 Claim, 1 Drawing Sheet

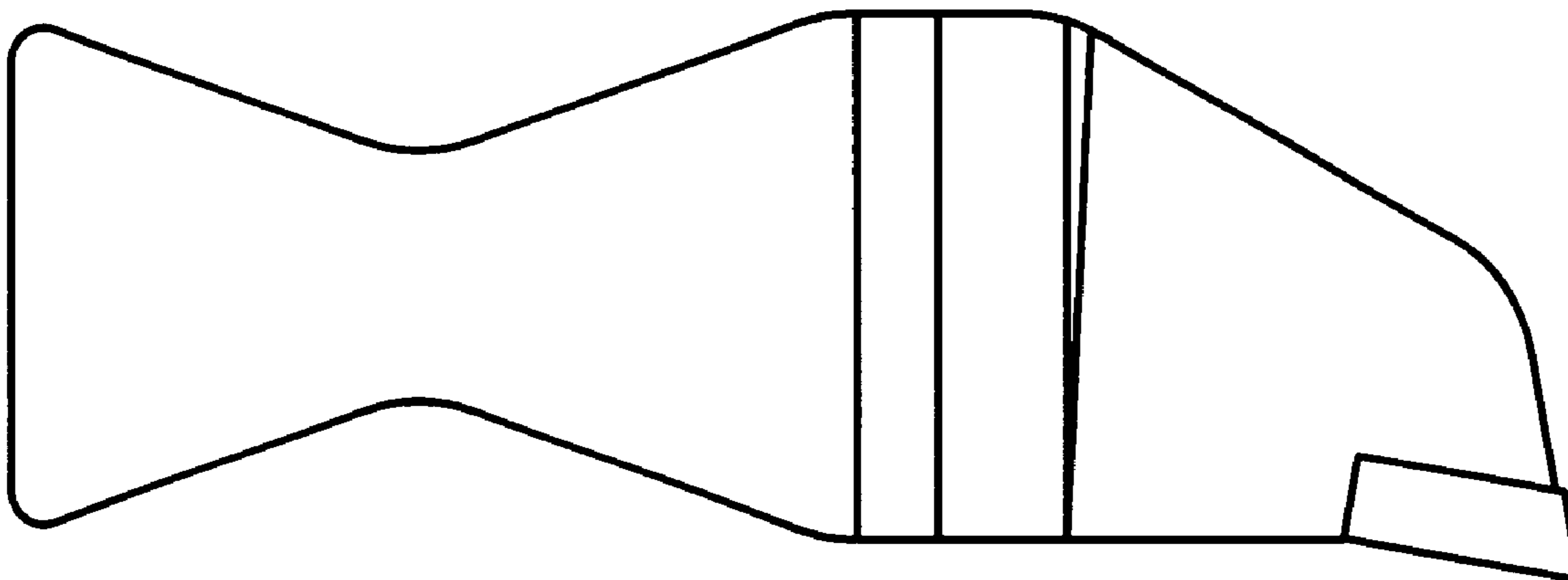


FIG. 2

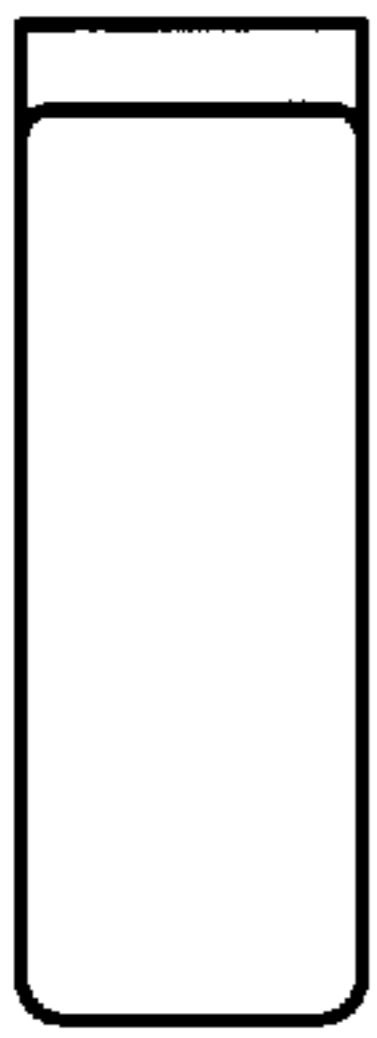


FIG. 1

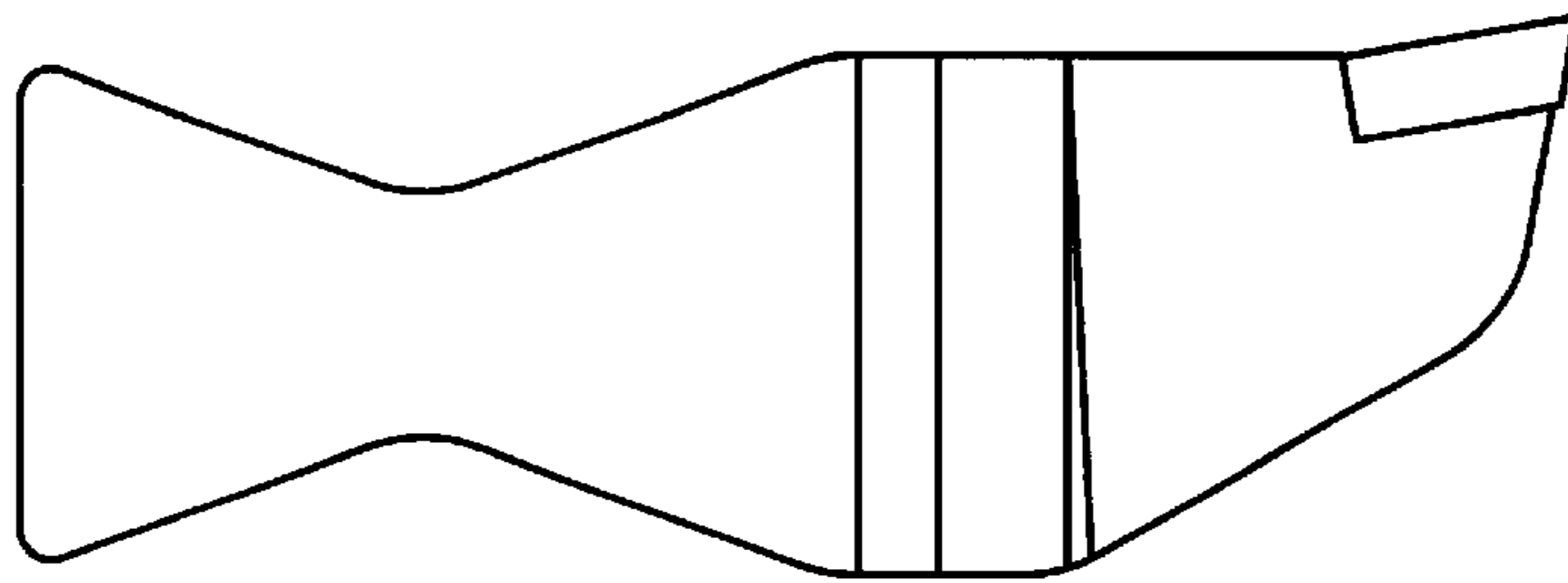


FIG. 3

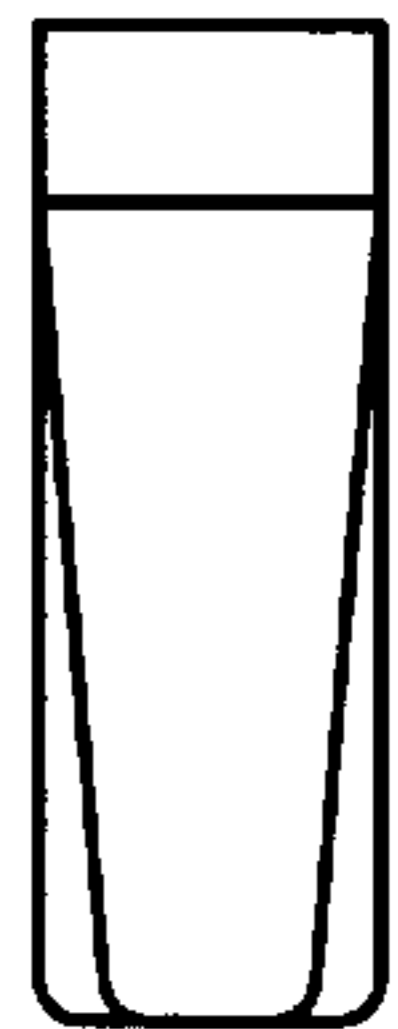


FIG. 4

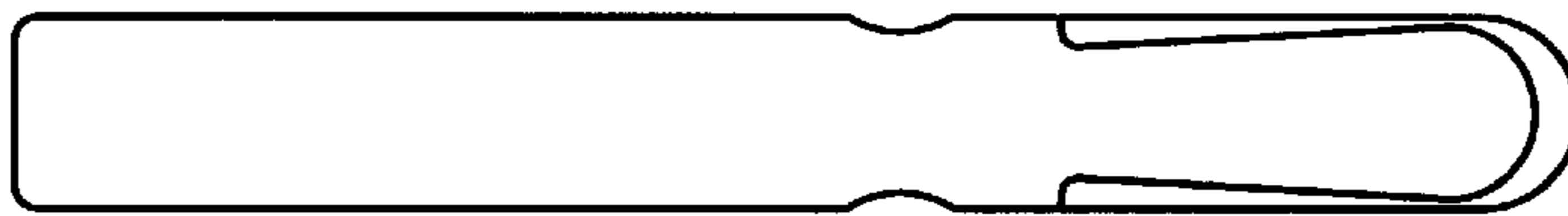


FIG. 5

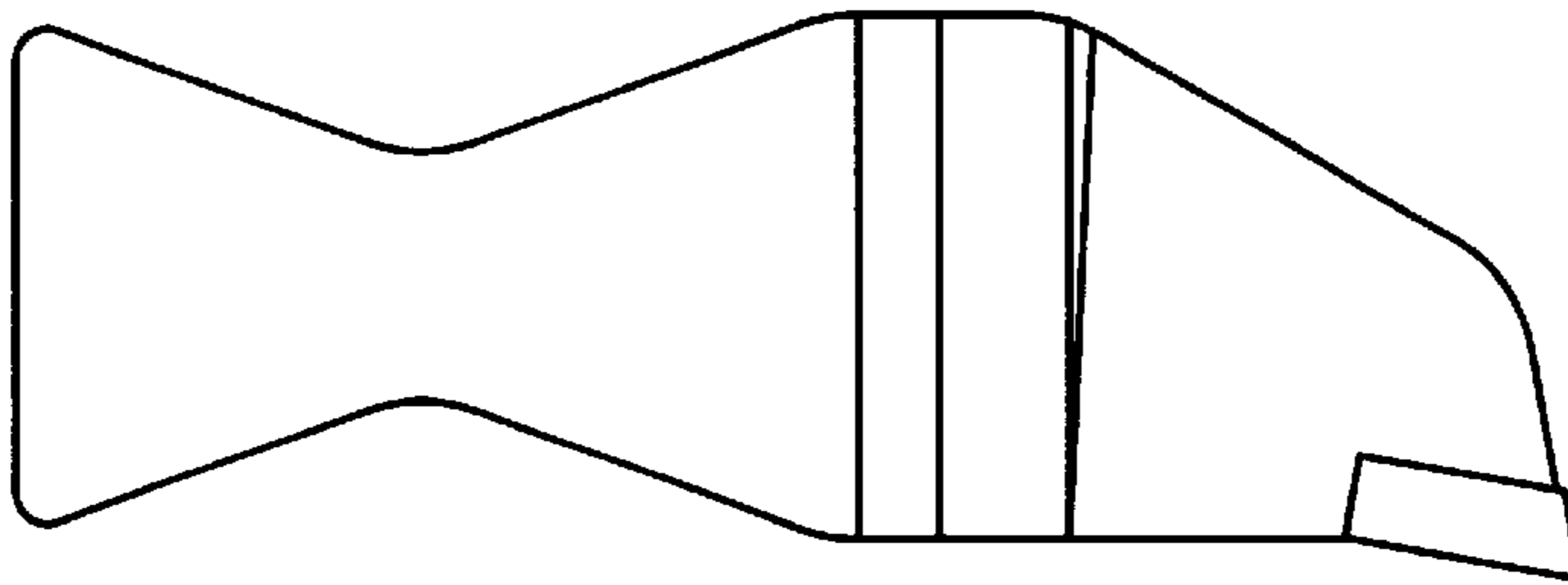


FIG. 6

