



US00D490442S

(12) **United States Design Patent**
Kuboshima et al.

(10) **Patent No.:** **US D490,442 S**

(45) **Date of Patent:** **** May 25, 2004**

(54) **SUBMERSIBLE PUMP**

(75) Inventors: **Yutaka Kuboshima**, Dallas, TX (US);
John M. Walker, Grapevine, TX (US)

(73) Assignee: **Beckett Corporation**, Irving, TX (US)

(**) Term: **14 Years**

(21) Appl. No.: **29/187,377**

(22) Filed: **Jul. 31, 2003**

(51) **LOC (7) Cl.** **15-02**

(52) **U.S. Cl.** **D15/7**

(58) **Field of Search** D15/7-9; D23/231,
D23/232; 417/410.4, 359, 415, 410.3, 234,
229, 321, 265, 405

(56) **References Cited**

U.S. PATENT DOCUMENTS

D306,447 S	*	3/1990	Whitley, II	D15/7
D354,754 S	*	1/1995	Broughton	D15/7
D414,500 S	*	9/1999	Davis et al.	D15/7

* cited by examiner

Primary Examiner—Ralf Seifert

(74) *Attorney, Agent, or Firm*—Gardere Wynne Sewell LLP

(57) **CLAIM**

The ornamental design for a submersible pump, as shown and described.

DESCRIPTION

FIG. 1 is a perspective view of a submersible pump in accordance with our invention;

FIG. 2 is one end elevation view of the submersible pump shown in FIG. 1;

FIG. 3 is a left side elevation view of the submersible pump shown in FIG. 1;

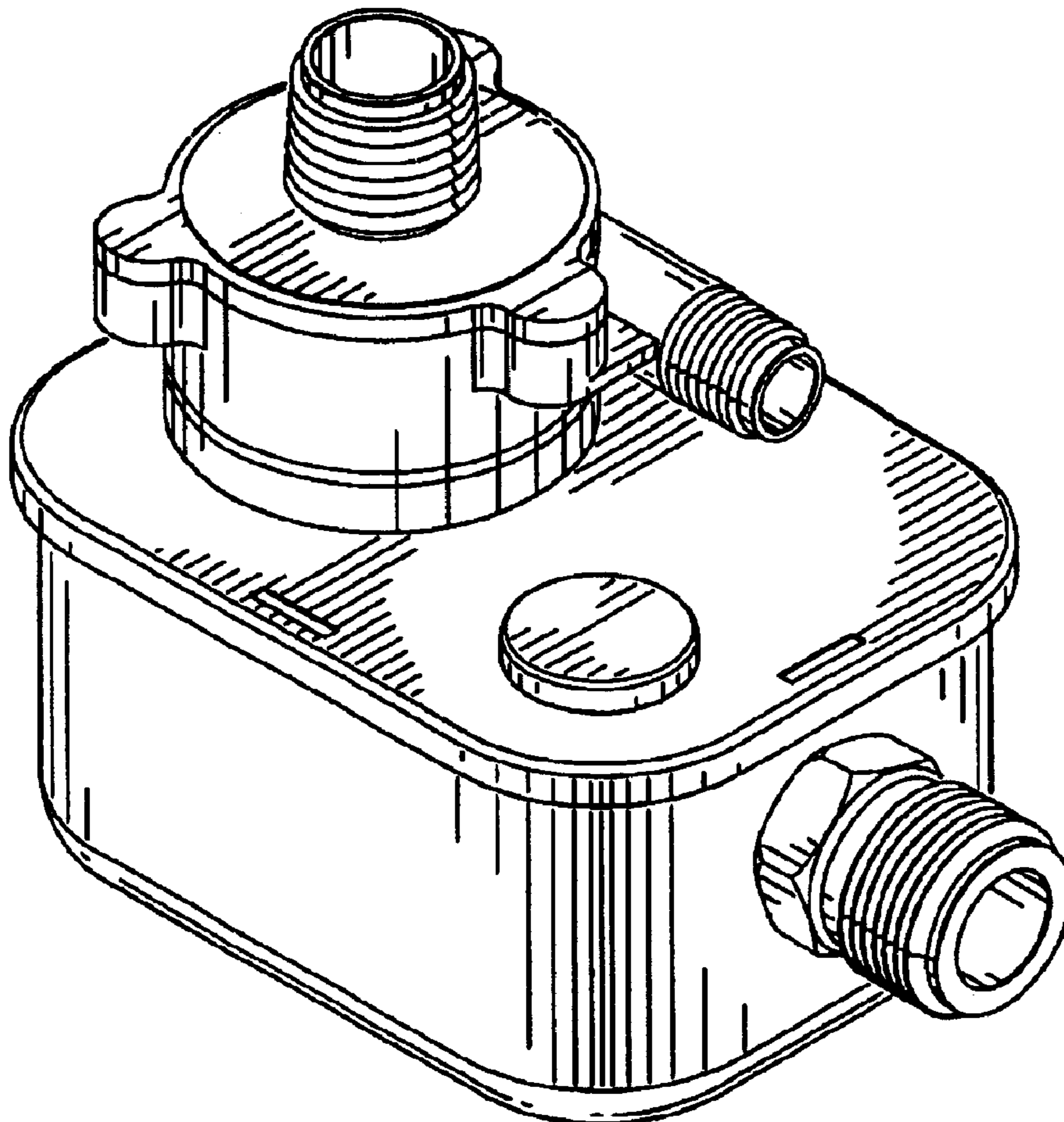
FIG. 4 is a right side elevation view of the submersible pump shown in FIG. 1;

FIG. 5 is an opposite end elevation view of the submersible pump shown in FIG. 1;

FIG. 6 is a top plan view of the submersible pump shown in FIG. 1; and,

FIG. 7 is a bottom plan view of the submersible pump shown in FIG. 1.

1 Claim, 3 Drawing Sheets



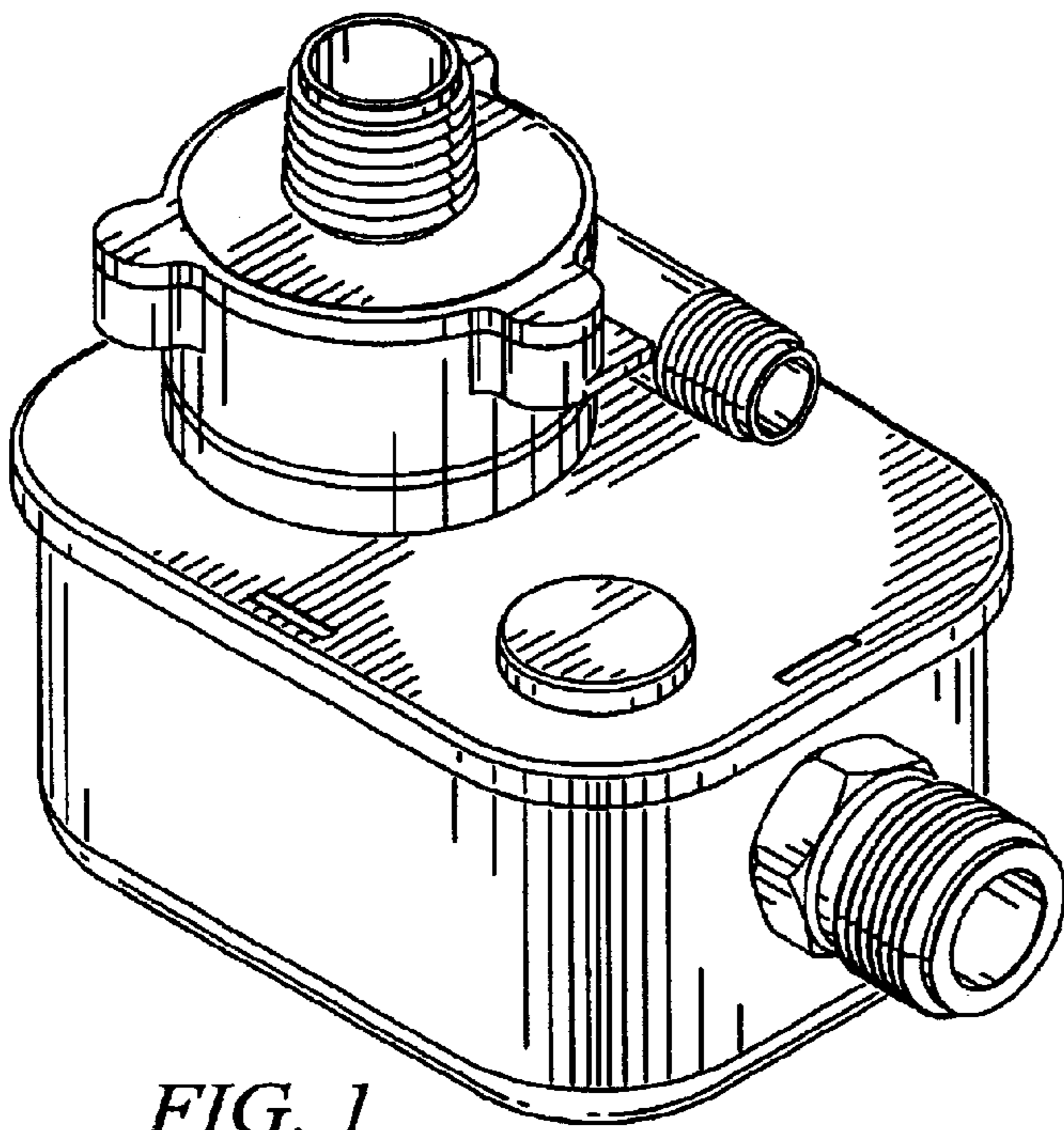


FIG. 1

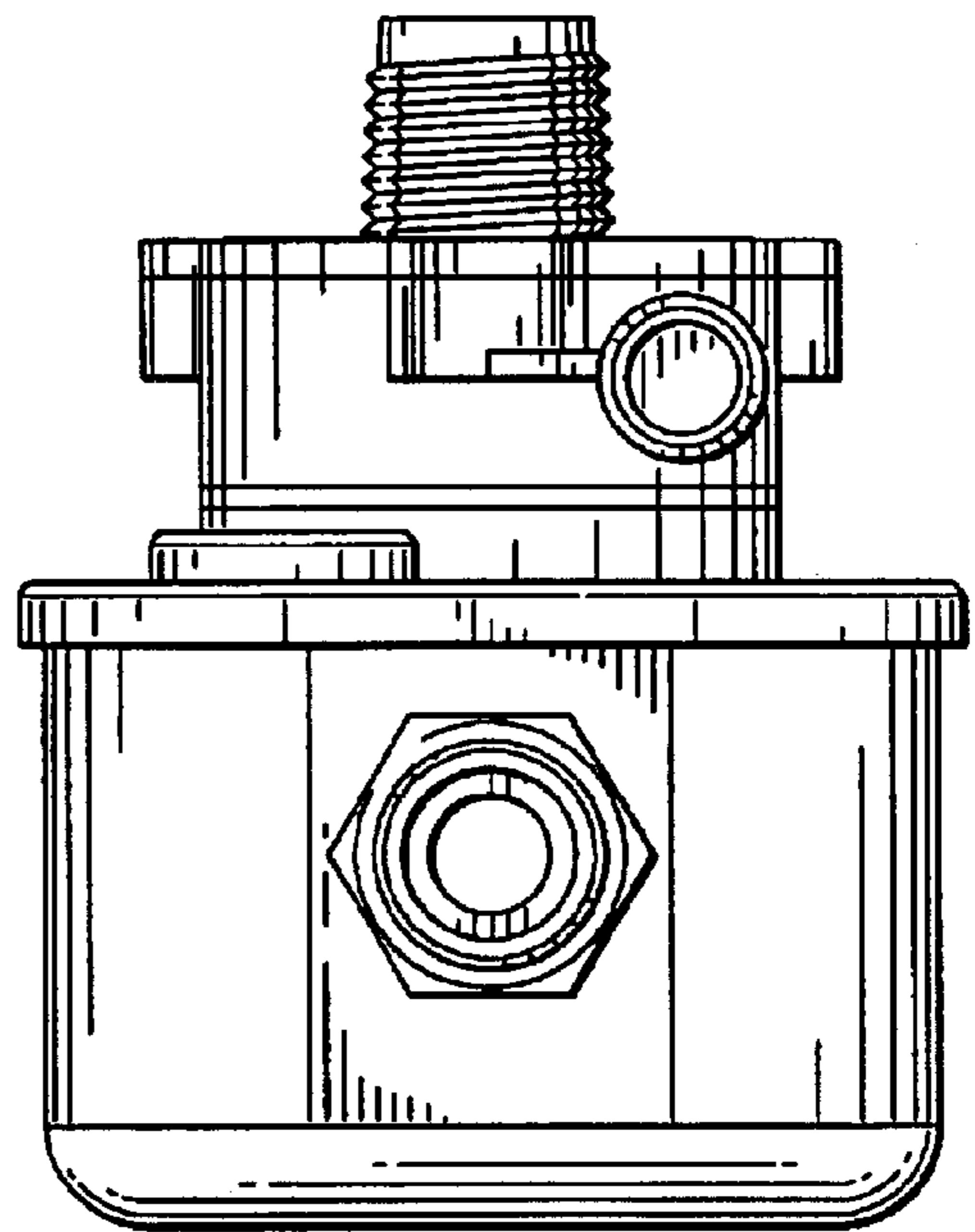


FIG. 2

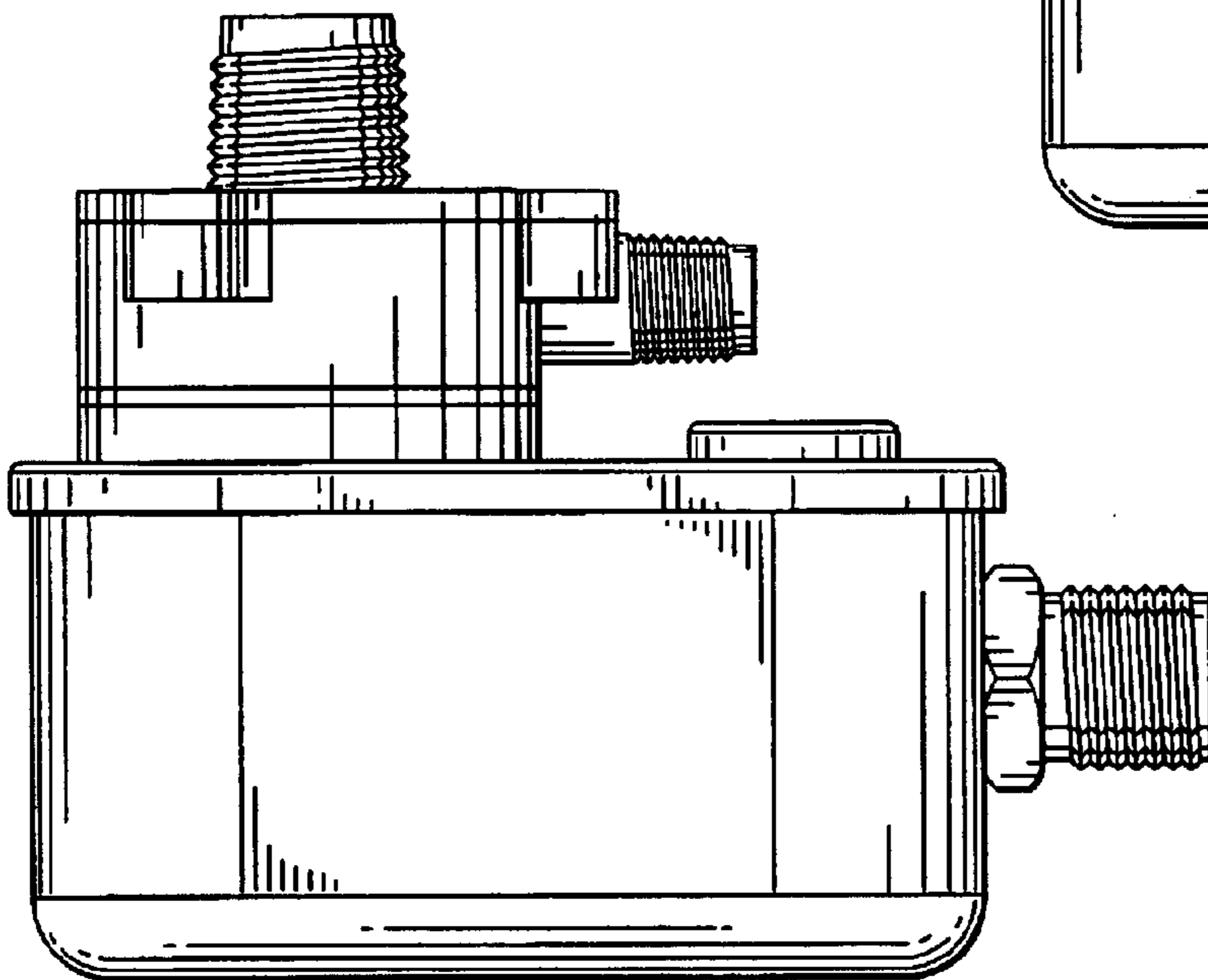


FIG. 3

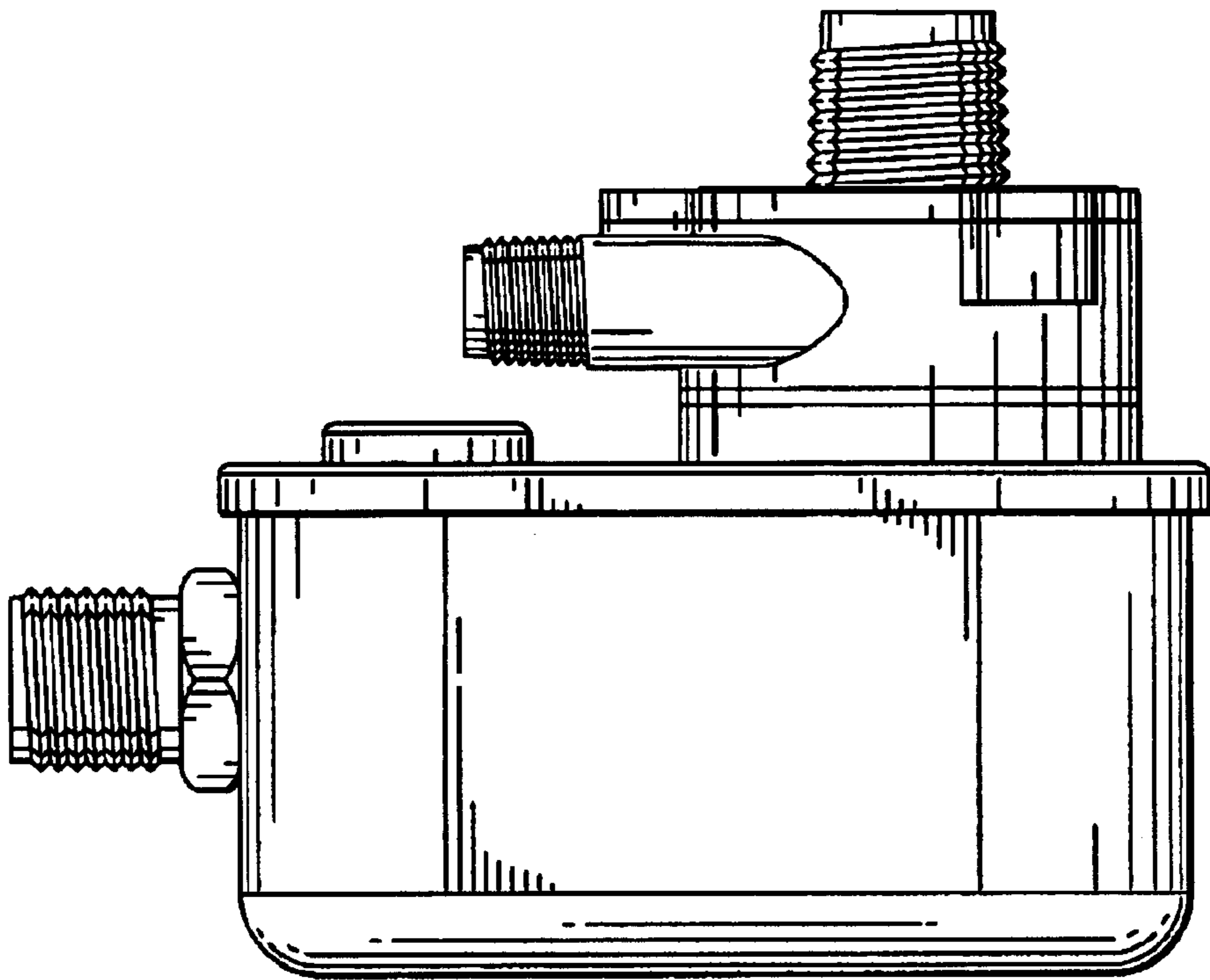


FIG. 4

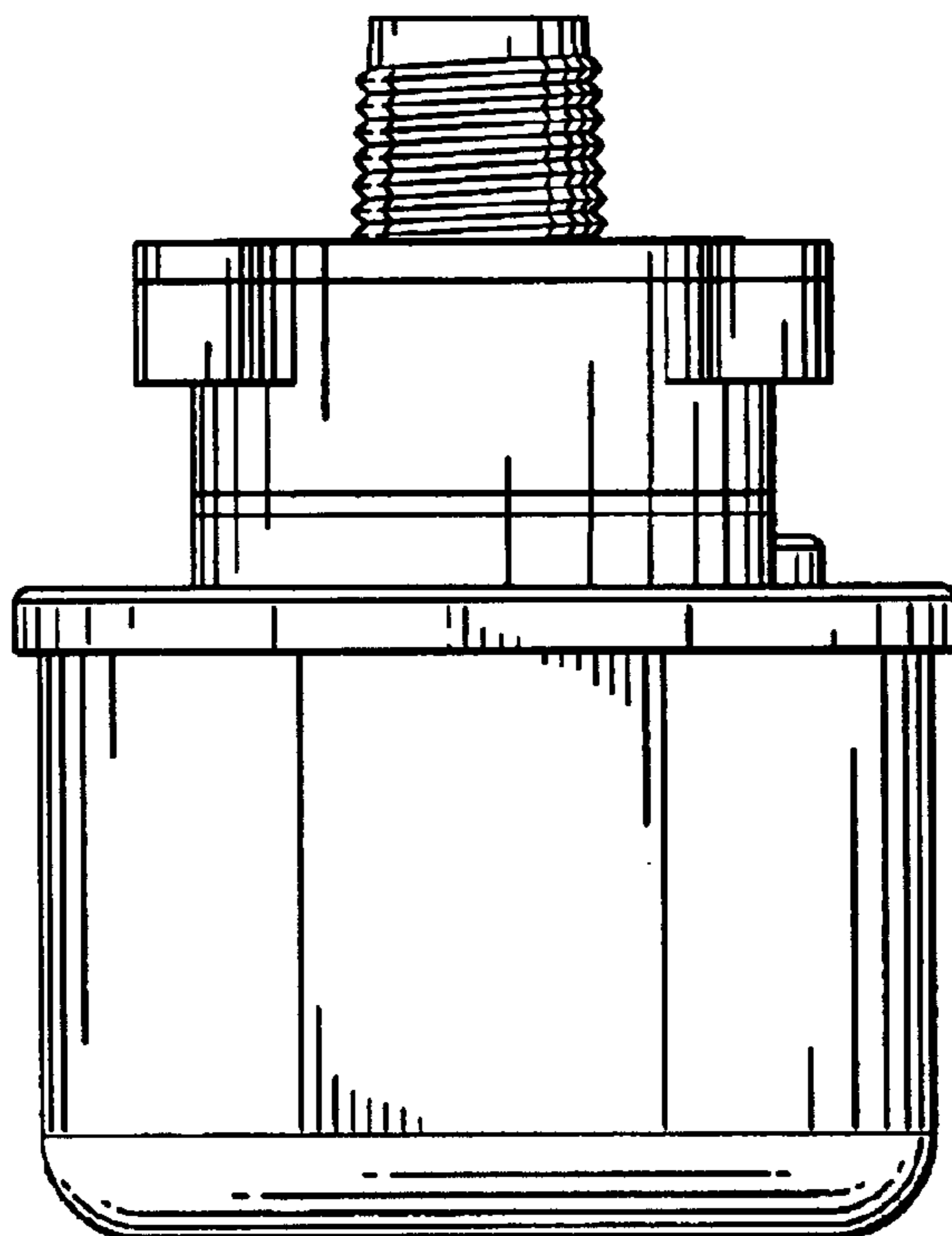


FIG. 5

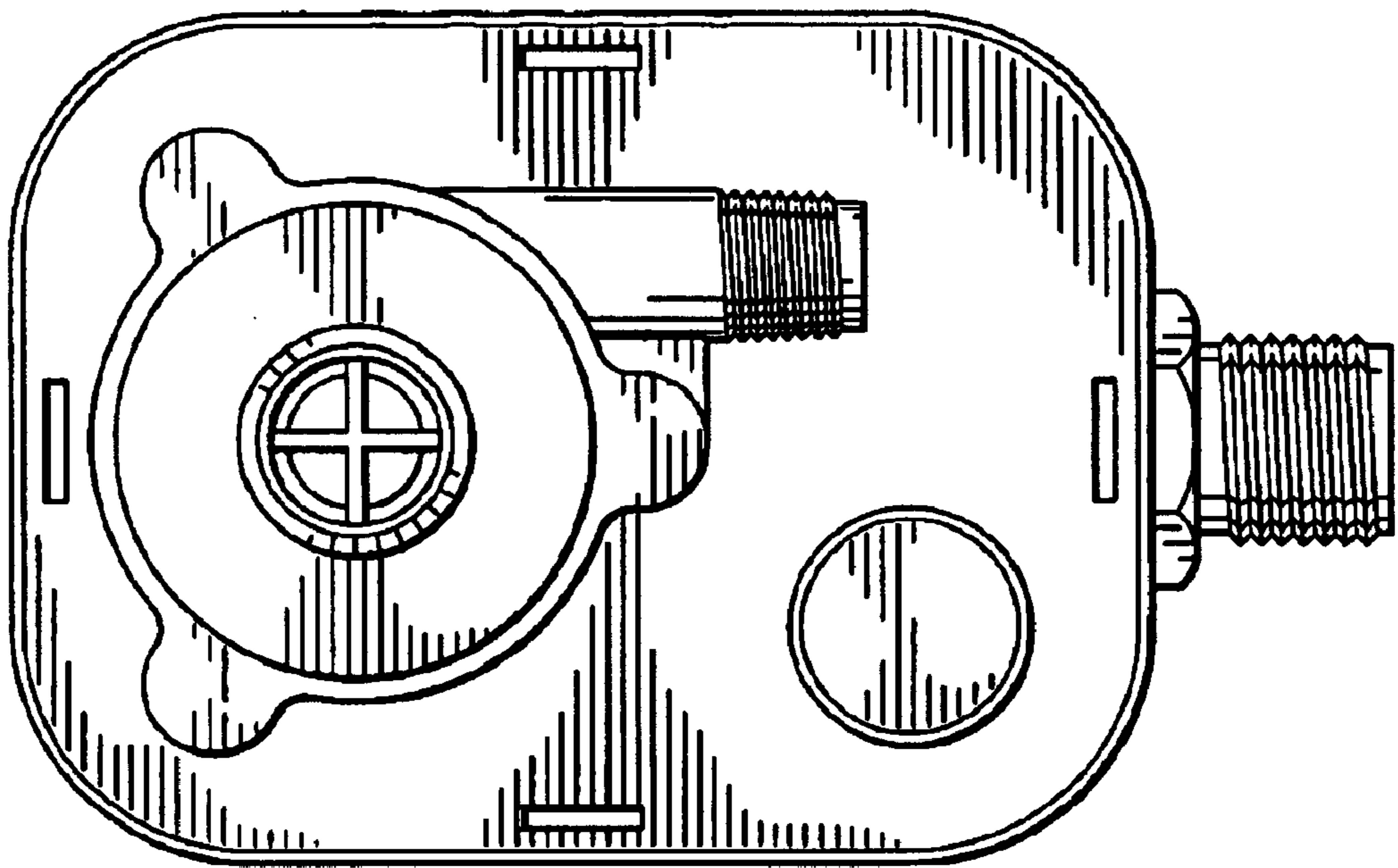


FIG. 6

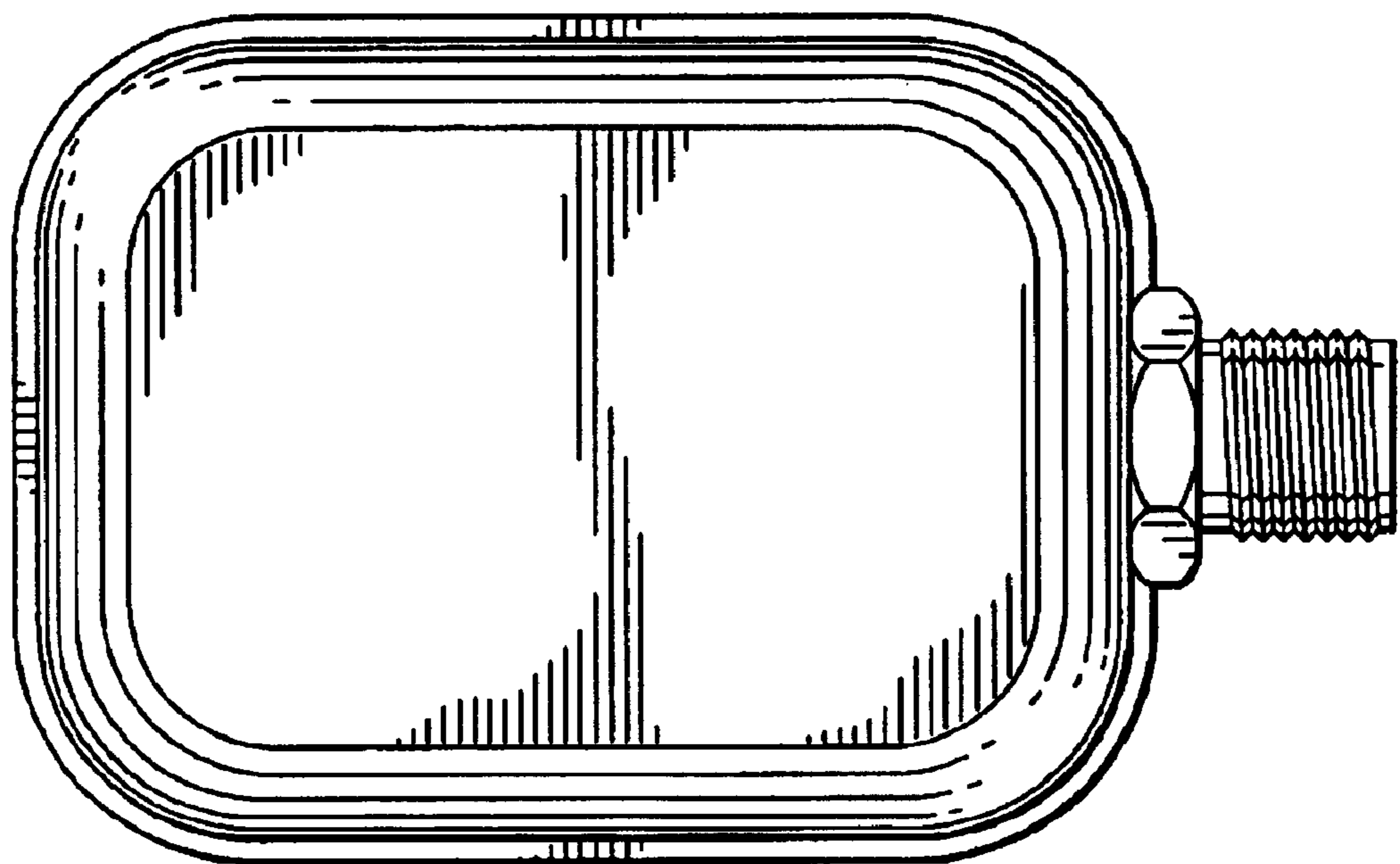


FIG. 7