



US00D490434S

(12) **United States Design Patent**
Meyer et al.

(10) **Patent No.:** **US D490,434 S**

(45) **Date of Patent:** **** May 25, 2004**

(54) **COMPUTER MICRO-SLOT LOCK DEVICE**

6,622,532 B2 * 9/2003 Hsu 70/14
2002/0056295 A1 * 5/2002 Huang 70/58

(76) Inventors: **Christopher E. Meyer**, 16317 Filbert St., Fountain Valley, CA (US) 92708;
John W. Waguespack, 816 El Redondo Ave., Redondo Beach, CA (US) 90277

* cited by examiner

Primary Examiner—Kay H. Chin
(74) *Attorney, Agent, or Firm*—Stetina Brunda Garred & Brucker

(**) Term: **14 Years**

(21) Appl. No.: **29/173,861**

(22) Filed: **Jan. 8, 2003**

(51) **LOC (7) Cl.** **14-02**

(52) **U.S. Cl.** **D14/432; D8/331**

(58) **Field of Search** D14/432, 433;
D8/330, 331, 343; 70/14, 57, 57.1, 58,
158, 163, 174

(56) **References Cited**

U.S. PATENT DOCUMENTS

5,327,752 A * 7/1994 Myers et al. 70/58
D370,621 S * 6/1996 Themistos et al. D8/343
D471,785 S * 3/2003 Yu D8/331
D472,789 S * 4/2003 Ling D8/331

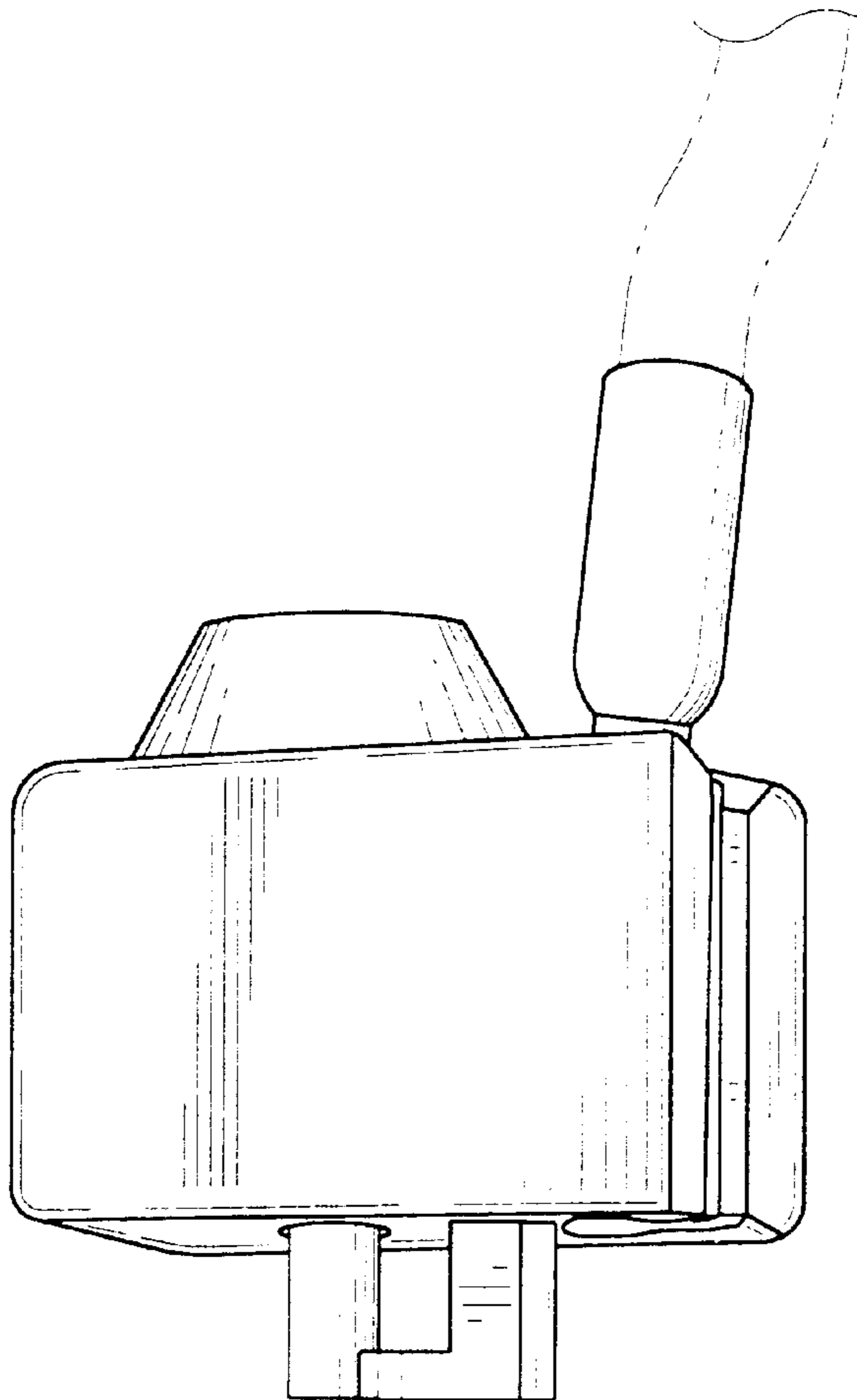
(57) **CLAIM**

The ornamental design for a computer micro-slot lock device, as shown and described.

DESCRIPTION

FIG. 1 is a front perspective view of the computer micro-slot lock device of the present invention showing our new design, with the phantom lines depicting solely environmental structure and forming no part of the claimed design; FIG. 2 is a top plan view thereof; FIG. 3 is a right side view thereof; FIG. 4 is a front view thereof; FIG. 5 is a left side view thereof; and, FIG. 6 is a bottom plan view thereof.

1 Claim, 2 Drawing Sheets



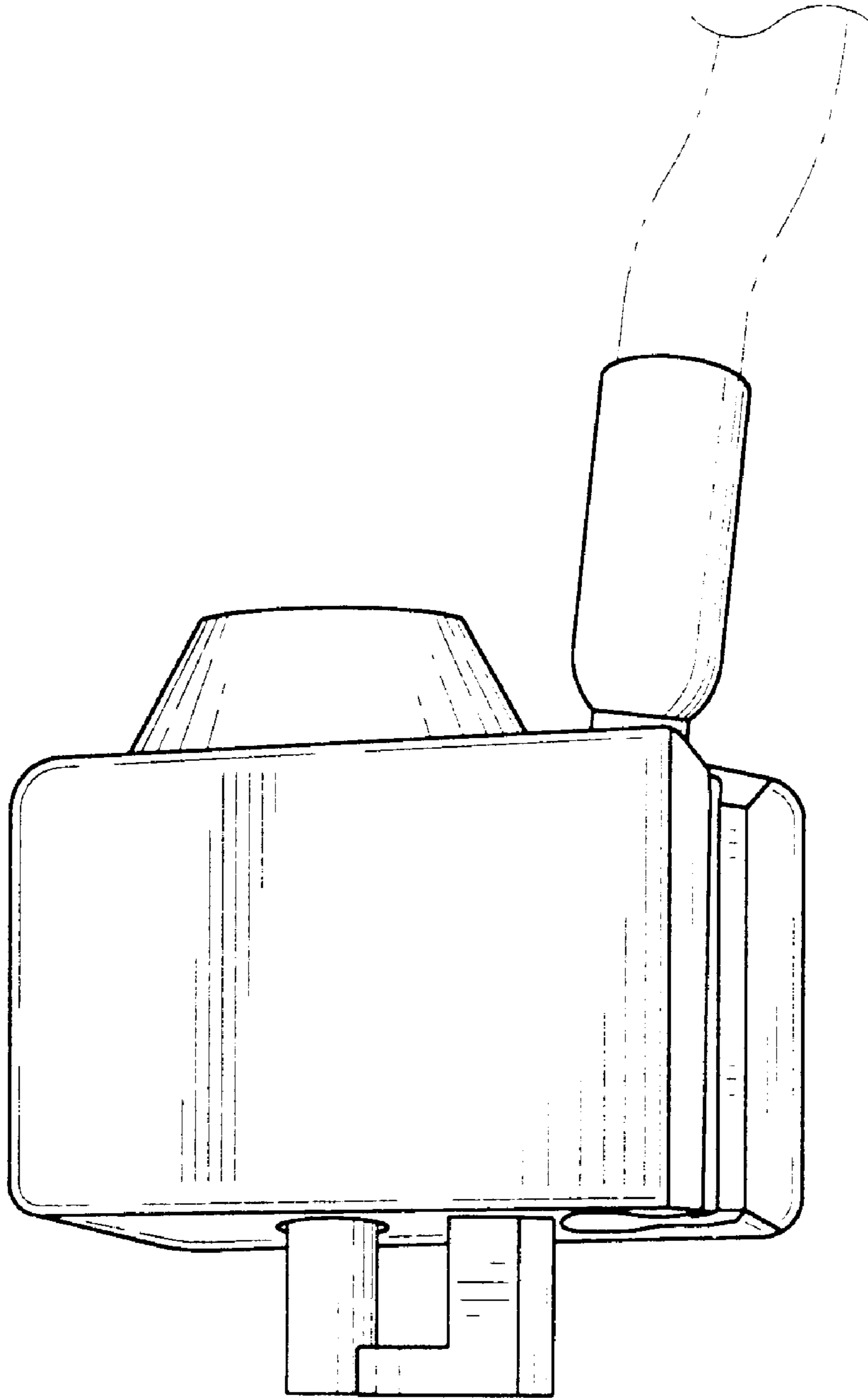


Fig. 1

Fig. 2

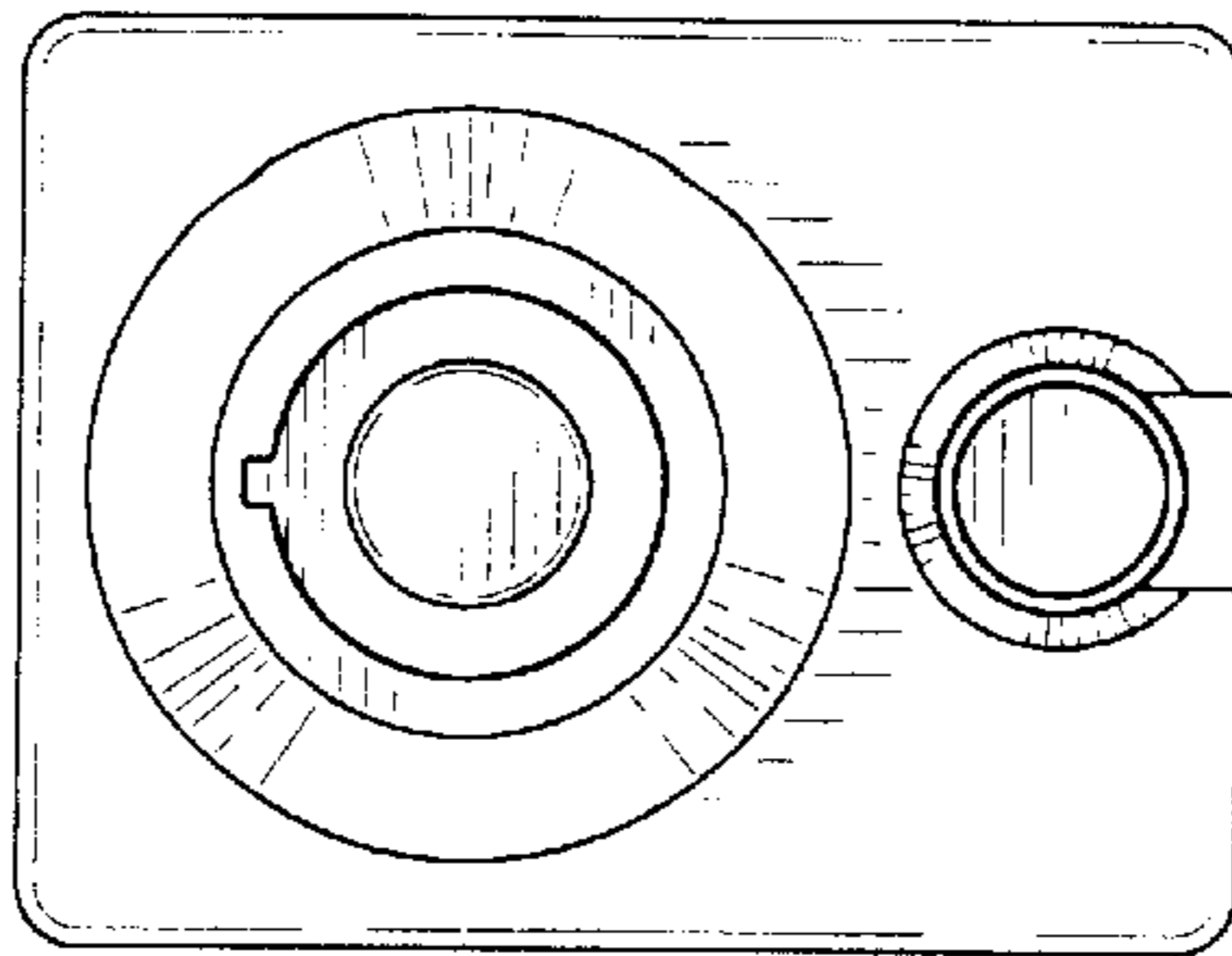


Fig. 3

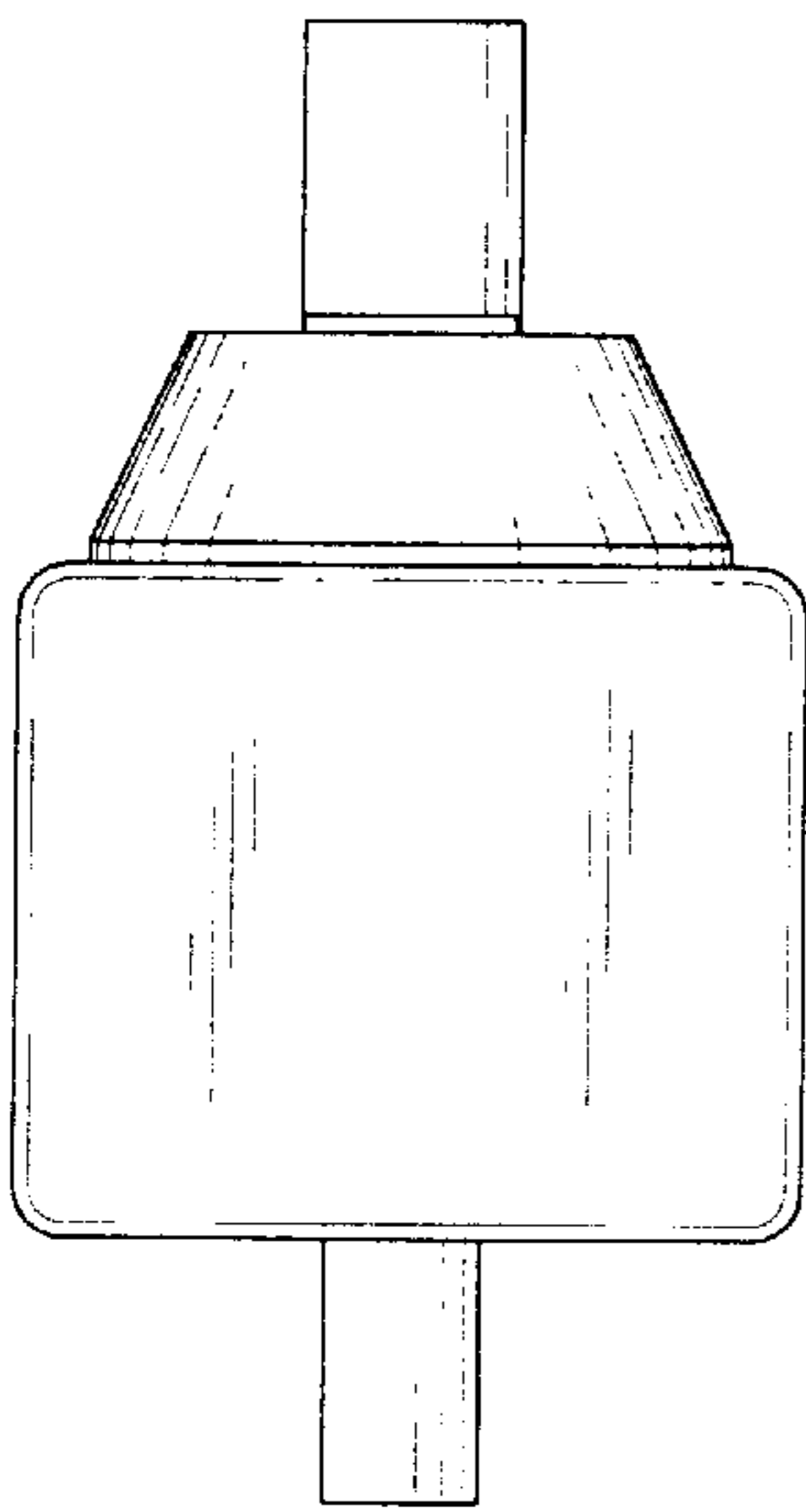


Fig. 4

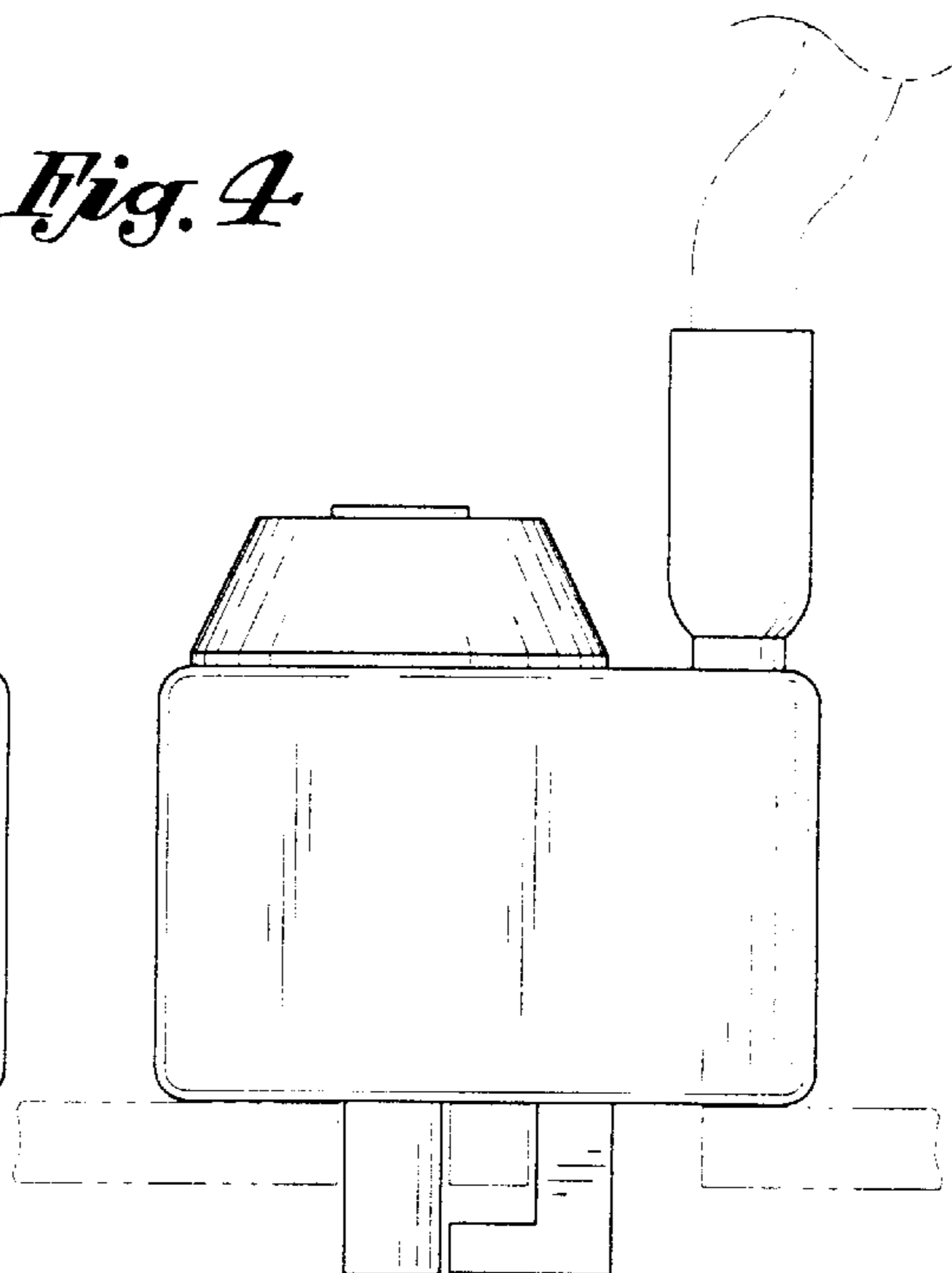


Fig. 5

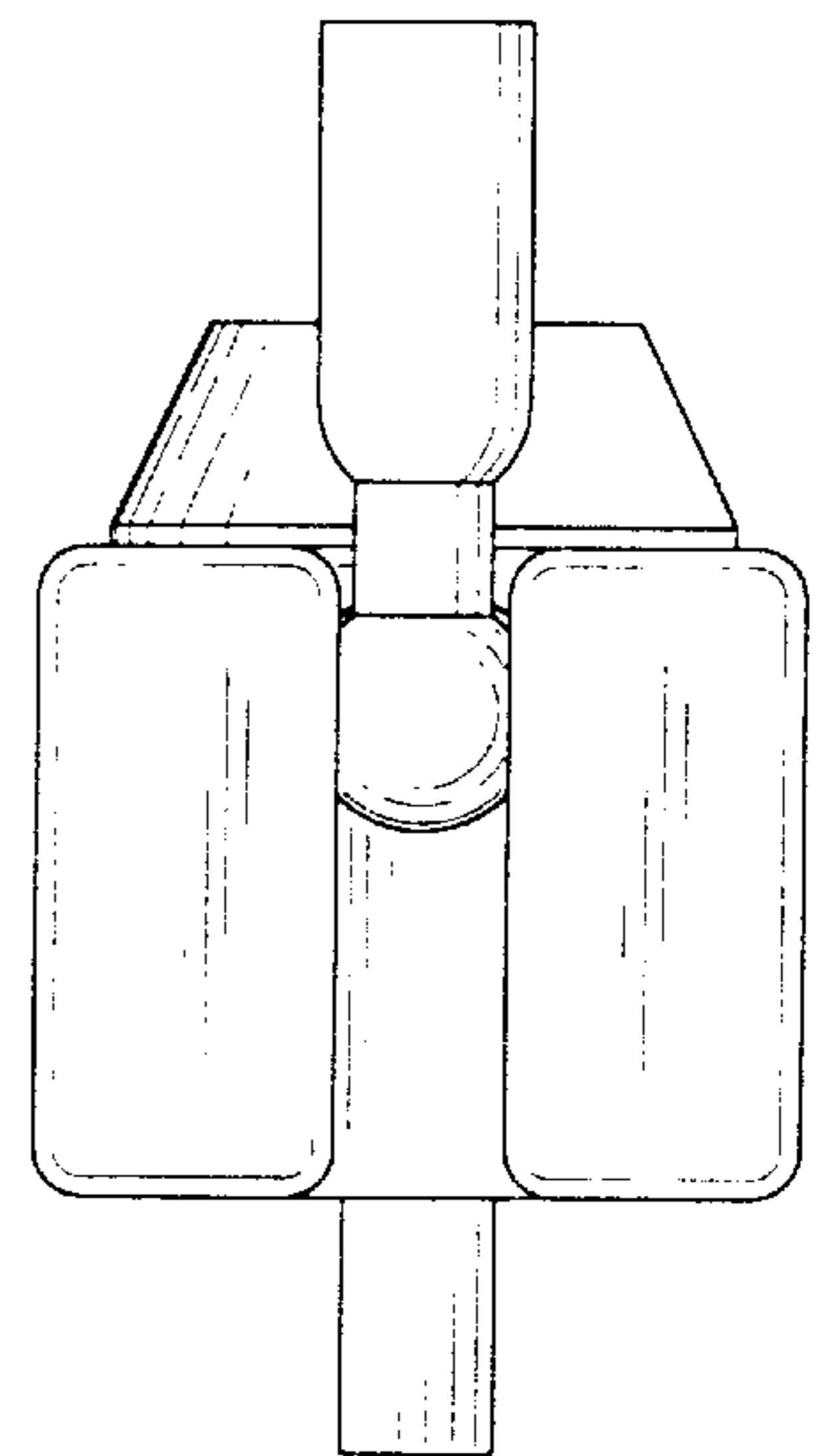


Fig. 6

