



US00D490433S

(12) **United States Design Patent**
Moriya et al.

(10) **Patent No.:** **US D490,433 S**

(45) **Date of Patent:** **** May 25, 2004**

(54) **IMAGE READER**

(75) Inventors: **Yoshinobu Moriya**, Tokyo (JP); **Morio Mizuno**, Tokyo (JP); **Mitsuaki Kanada**, Tokyo (JP); **Kazuhiko Yamaoka**, Tokyo (JP)

(73) Assignee: **NEC Viewtechnology, Ltd.**, Tokyo (JP)

(**) Term: **14 Years**

(21) Appl. No.: **29/169,101**

(22) Filed: **Oct. 16, 2002**

(30) **Foreign Application Priority Data**

May 8, 2002 (JP) 2002-012103

(51) **LOC (7) Cl.** **14-01**

(52) **U.S. Cl.** **D14/423; D16/232**

(58) **Field of Search** **D14/420-425; D16/232; 358/474-498; 348/370, 373, 376**

(56) **References Cited**

U.S. PATENT DOCUMENTS

- 4,639,781 A * 1/1987 Rucci et al. 348/251
- D302,683 S * 8/1989 Iwasaki et al. D14/423
- D323,819 S * 2/1992 Iimura D14/423

- D364,388 S * 11/1995 Miyahara D14/423
- D376,139 S * 12/1996 Hasegawa D14/423
- 5,642,206 A * 6/1997 Yamamori et al. 358/479 X
- D411,833 S * 7/1999 Iwakawa et al. D14/423
- 5,978,028 A * 11/1999 Yamane 348/373
- D433,683 S * 11/2000 Adachi et al. D14/423
- 6,325,288 B1 * 12/2001 Spitz 358/474 X
- 2003/0095200 A1 * 5/2003 Nagano 348/373

* cited by examiner

Primary Examiner—Joel Sincavage

(74) *Attorney, Agent, or Firm*—Sughrue Mion, PLLC

(57) **CLAIM**

The ornamental design for an image reader, as shown.

DESCRIPTION

FIG. 1 is a perspective view of the top, front and left side of an image reader showing our new design; FIG. 2 is a front elevational view thereof; FIG. 3 is a rear elevational view thereof; FIG. 4 is a left side elevational view thereof; FIG. 5 is a right side elevational view thereof; FIG. 6 is a top plan view thereof; and, FIG. 7 is a bottom plan view thereof.

1 Claim, 7 Drawing Sheets

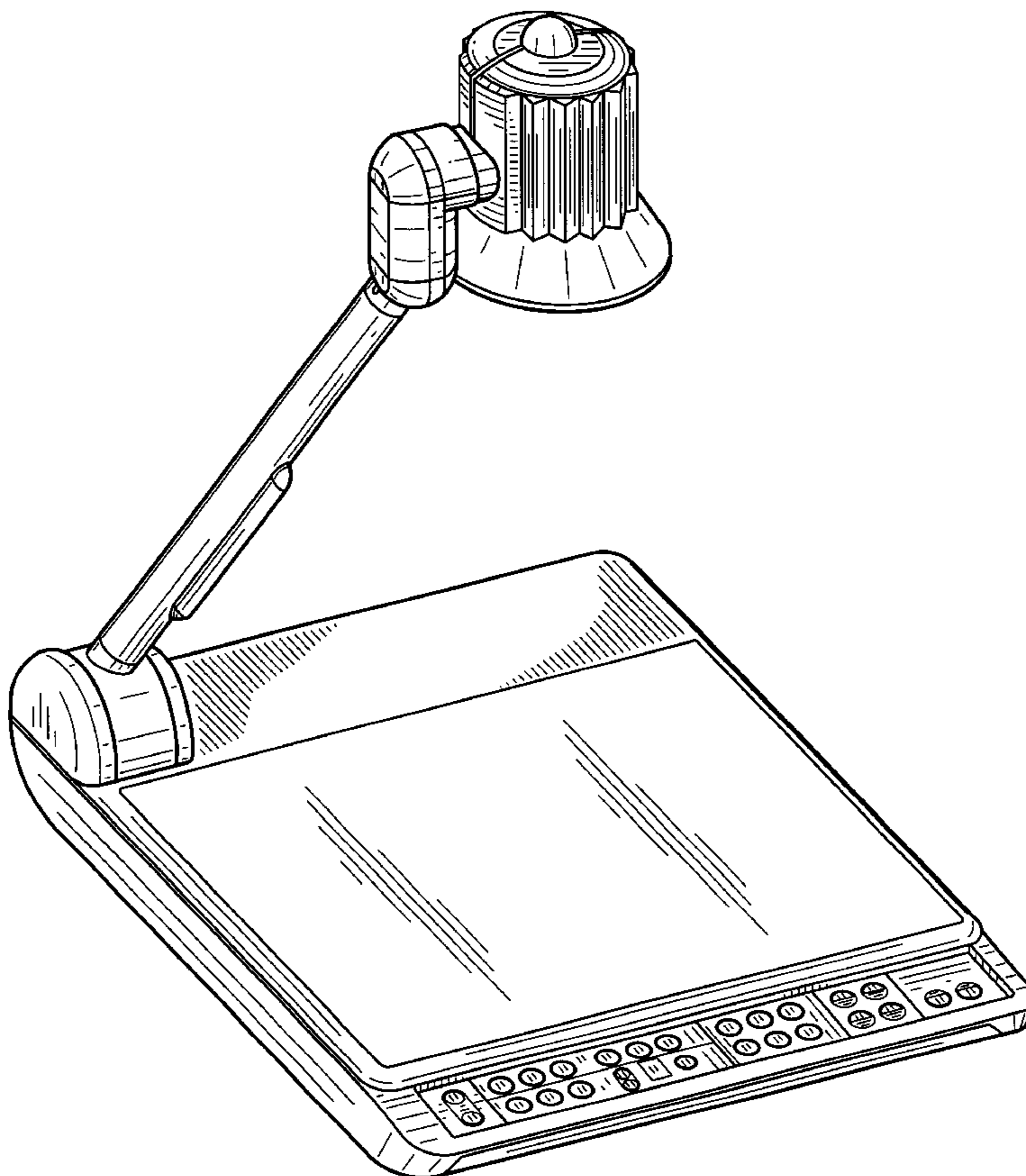


FIG. 1

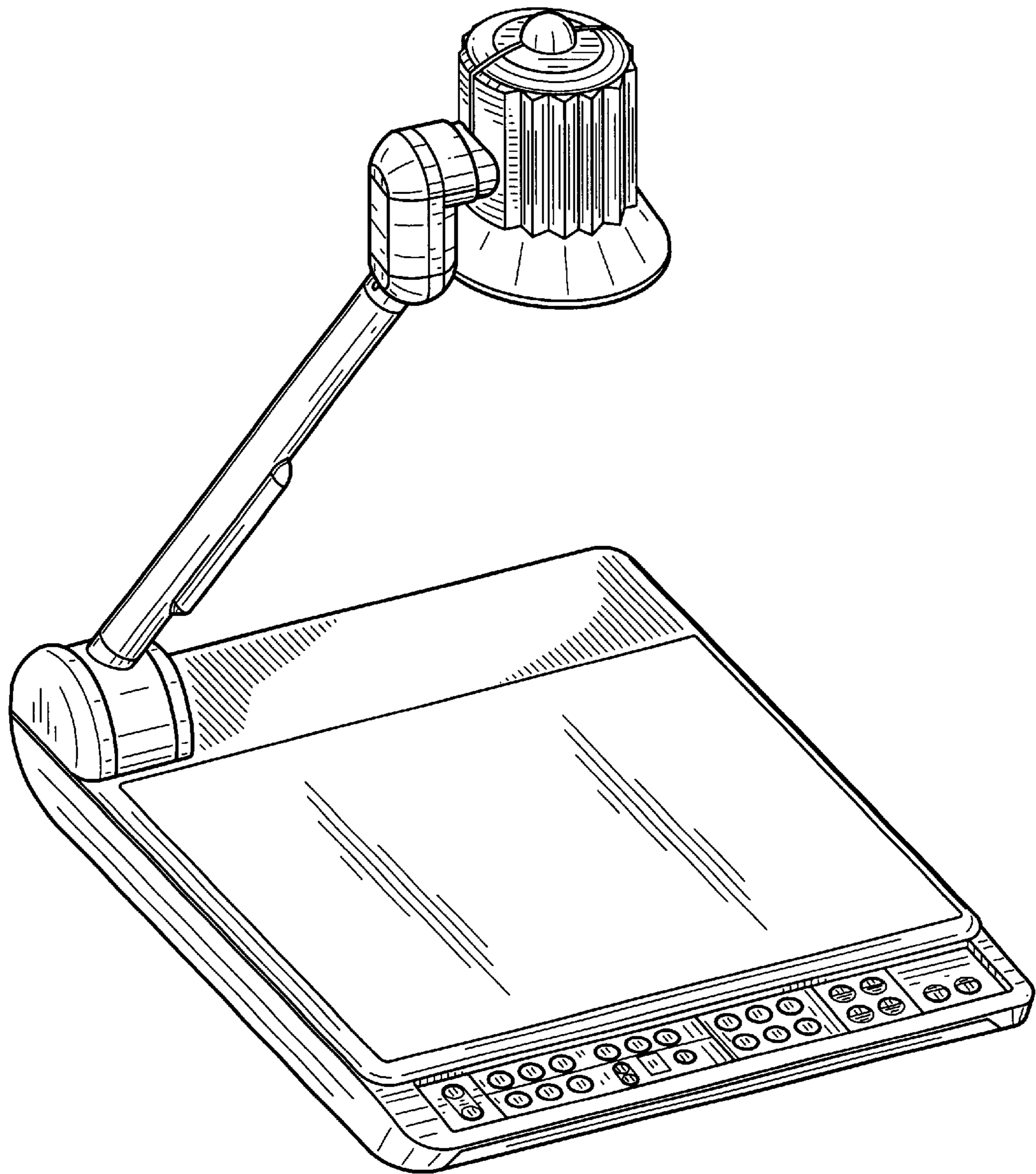


FIG. 2

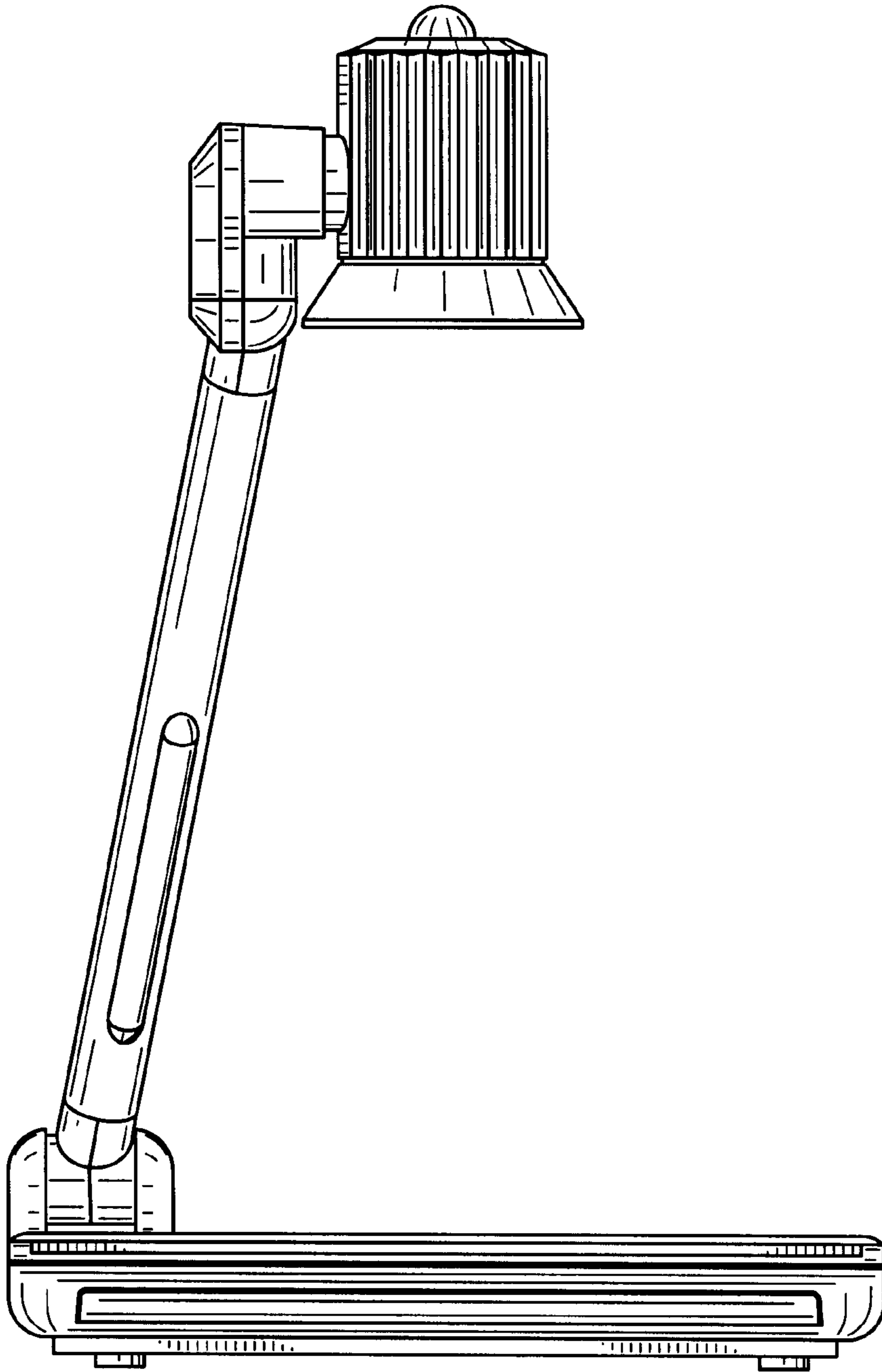


FIG. 3

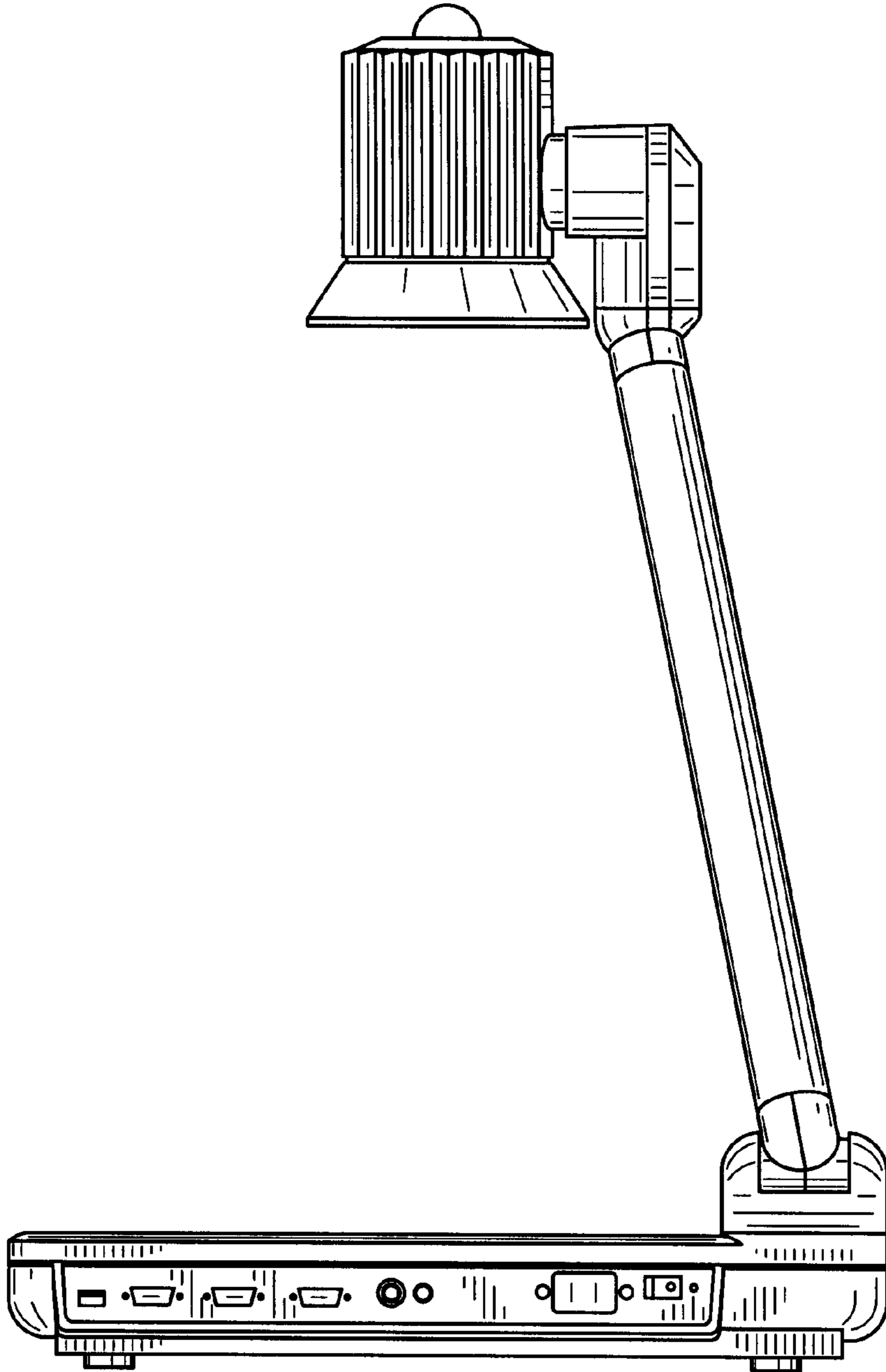


FIG. 4

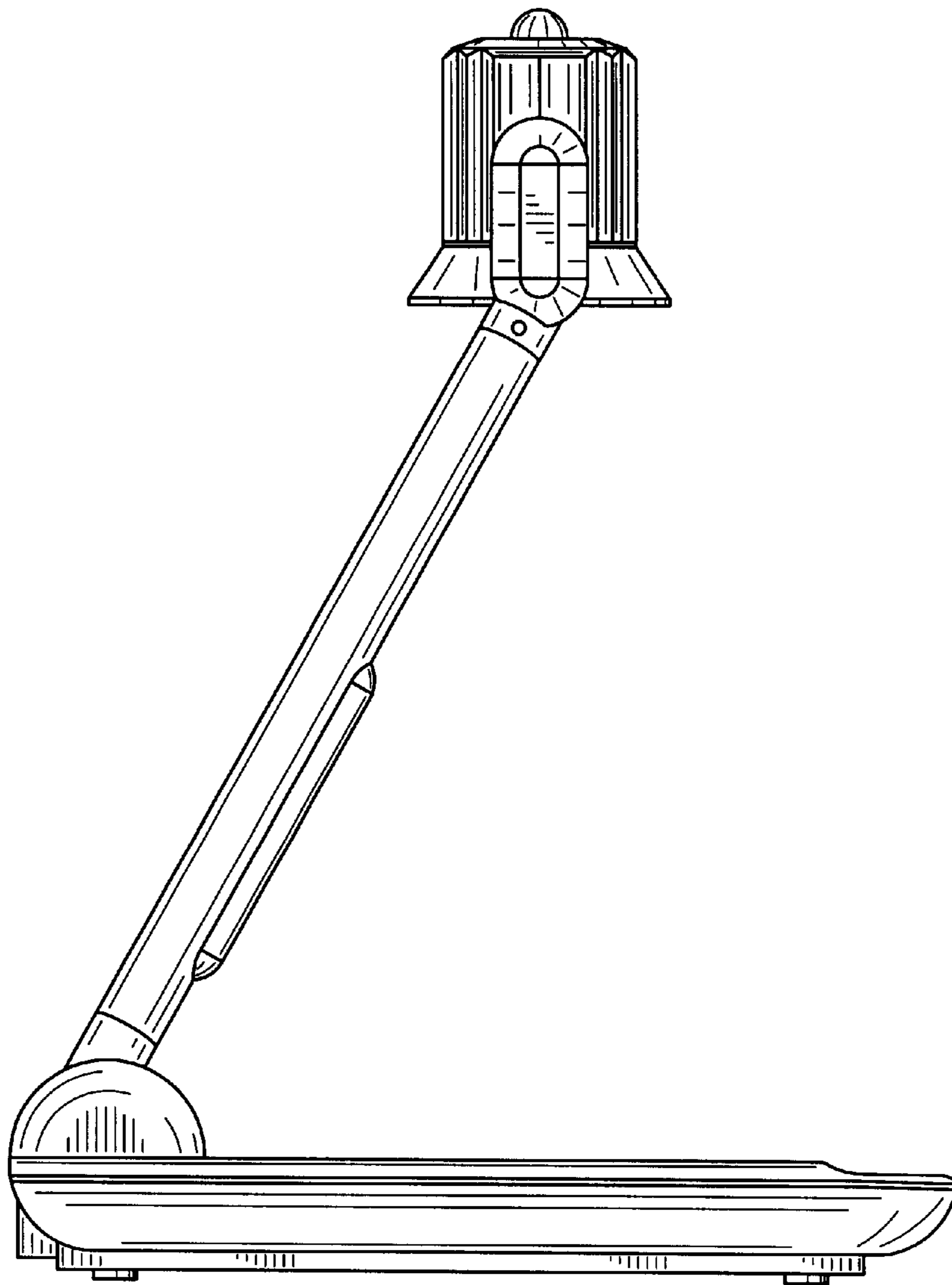


FIG. 5

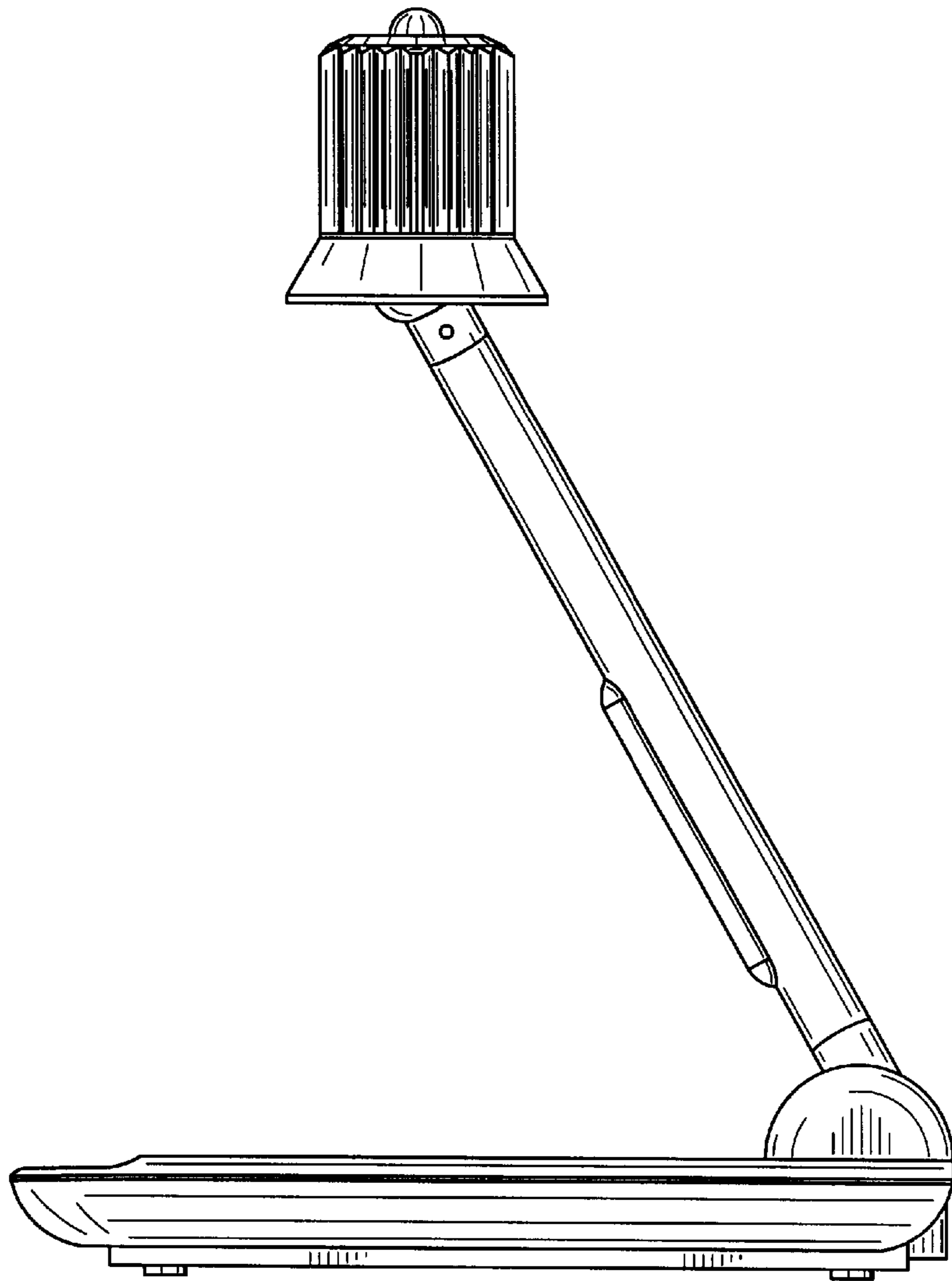


FIG. 6

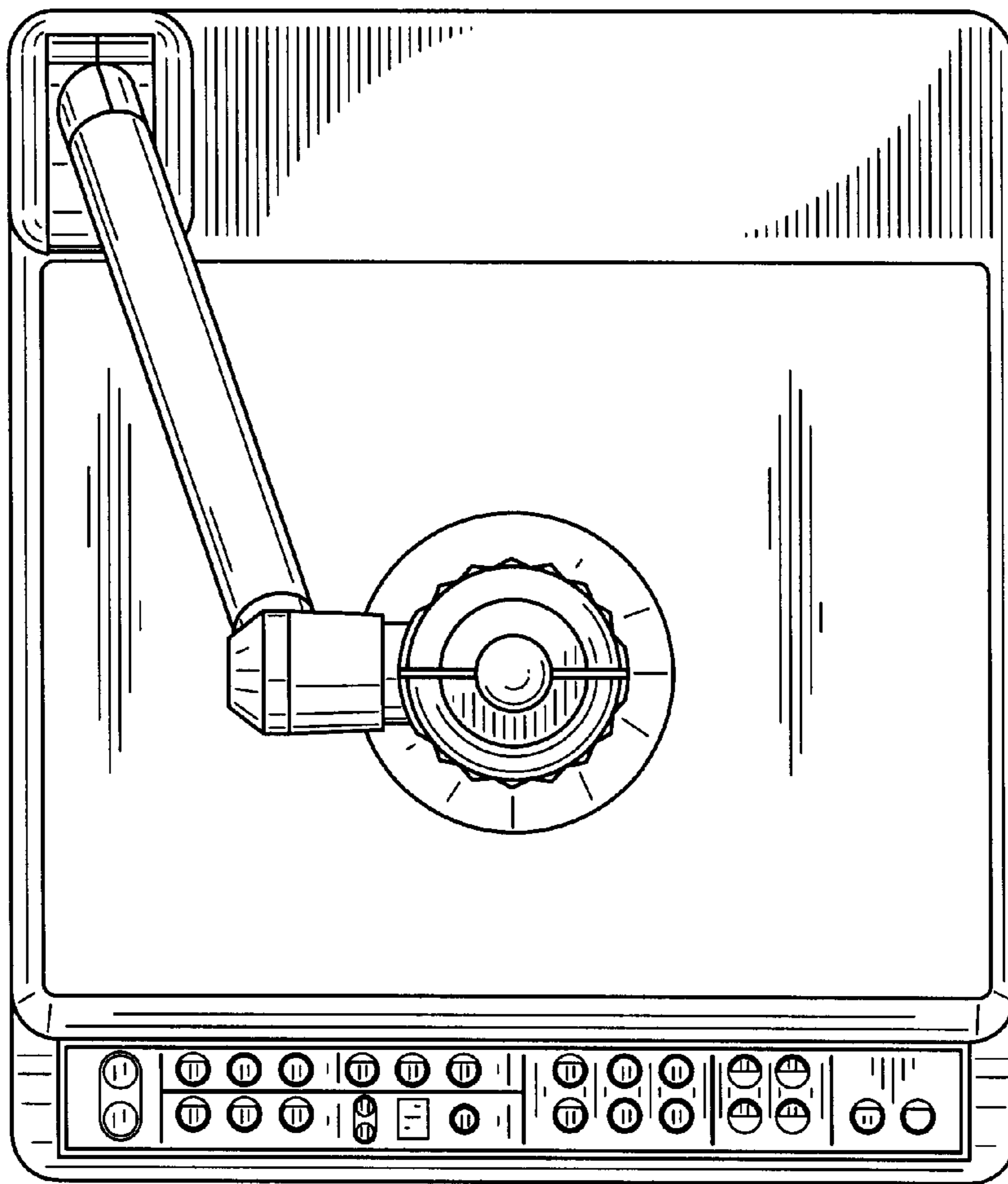


FIG. 7

