



US00D490426S

(12) **United States Design Patent**
Wu

(10) **Patent No.:** **US D490,426 S**

(45) **Date of Patent:** **** May 25, 2004**

(54) **OPTICAL DISK APPARATUS**
(75) Inventor: **Chun-Ting Wu**, Hsinchu (TW)
(73) Assignee: **Lite-On It Corporation**, Taipei (TW)
(**) Term: **14 Years**

D434,411 S * 11/2000 Chen D14/301
D447,479 S * 9/2001 Tierney D14/351
D452,239 S * 12/2001 Kitayama et al. D14/349
D456,021 S * 4/2002 Komatsu D14/349
D478,078 S * 8/2003 Miao et al. D14/349
D480,077 S * 9/2003 Searby et al. D14/308
D484,129 S * 12/2003 Hyogo D14/356

(21) Appl. No.: **29/186,771**
(22) Filed: **Jul. 21, 2003**
(30) **Foreign Application Priority Data**

May 7, 2003 (CN) 092302816

(51) **LOC (7) Cl.** **14-02**
(52) **U.S. Cl.** **D14/368**
(58) **Field of Search** D14/136, 348,
D14/351, 352, 363, 365, 367, 368, 379;
361/685

(56) **References Cited**
U.S. PATENT DOCUMENTS

D280,898 S * 10/1985 Benigni et al. D14/313
D384,045 S * 9/1997 Ito et al. D14/368
D415,123 S * 10/1999 Murphy D14/311
D431,243 S * 9/2000 Oba D14/351
D432,125 S * 10/2000 Masuda et al. D14/349

* cited by examiner

Primary Examiner—Joel Sincavage
(74) *Attorney, Agent, or Firm*—Thomas, Kayden,
Horstemeyer & Risley

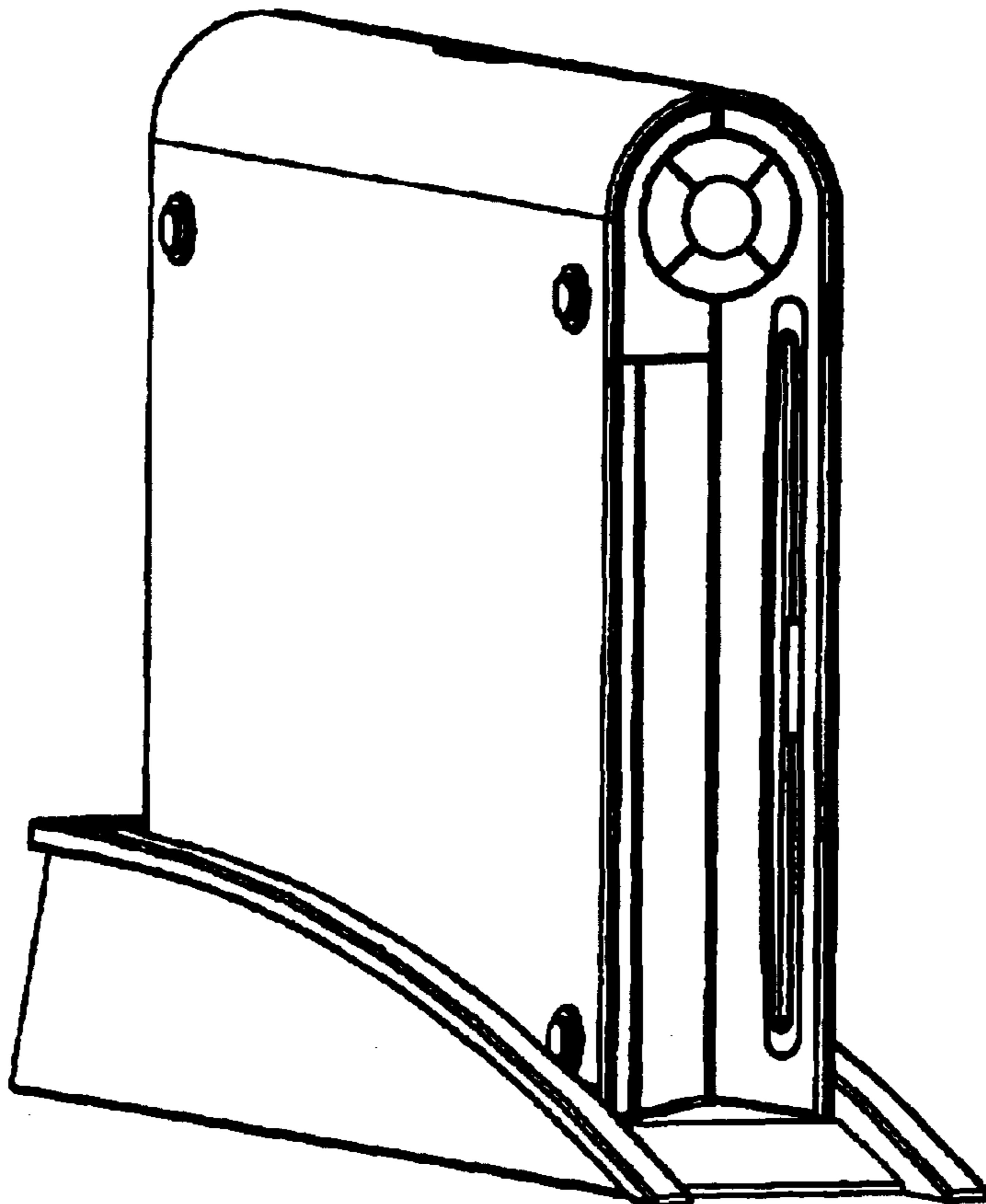
(57) **CLAIM**

The ornamental design for an optical disk apparatus, as shown.

DESCRIPTION

FIG. 1 is a perspective view of view of an optical disk apparatus;
FIG. 2 is a front elevational view thereof;
FIG. 3 is a rear elevational view thereof;
FIG. 4 is a right side elevational view thereof;
FIG. 5 is a left side elevational view thereof;
FIG. 6 is a top plan view thereof; and,
FIG. 7 is a bottom plan view thereof.

1 Claim, 4 Drawing Sheets



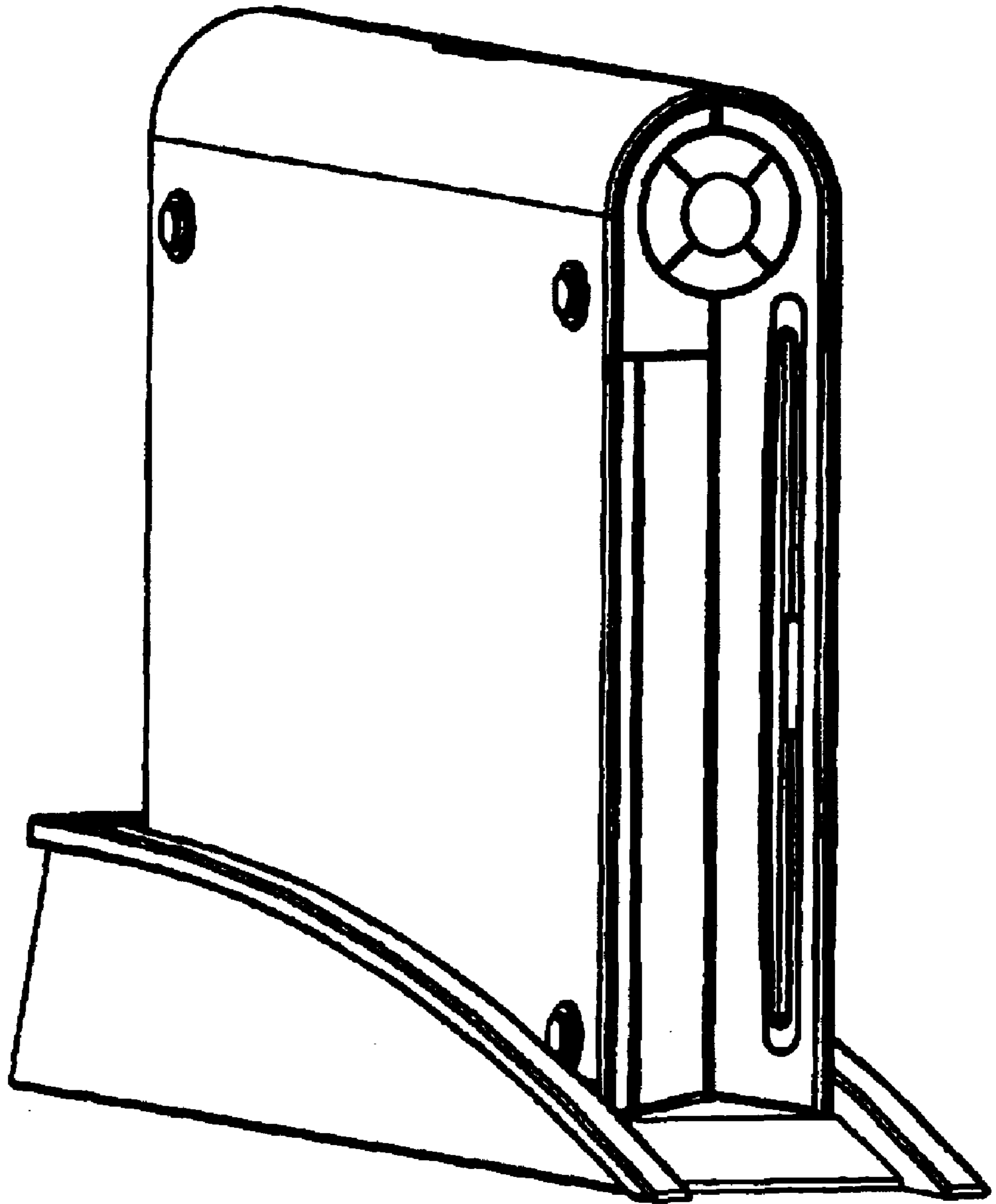


FIG. 1



FIG. 2

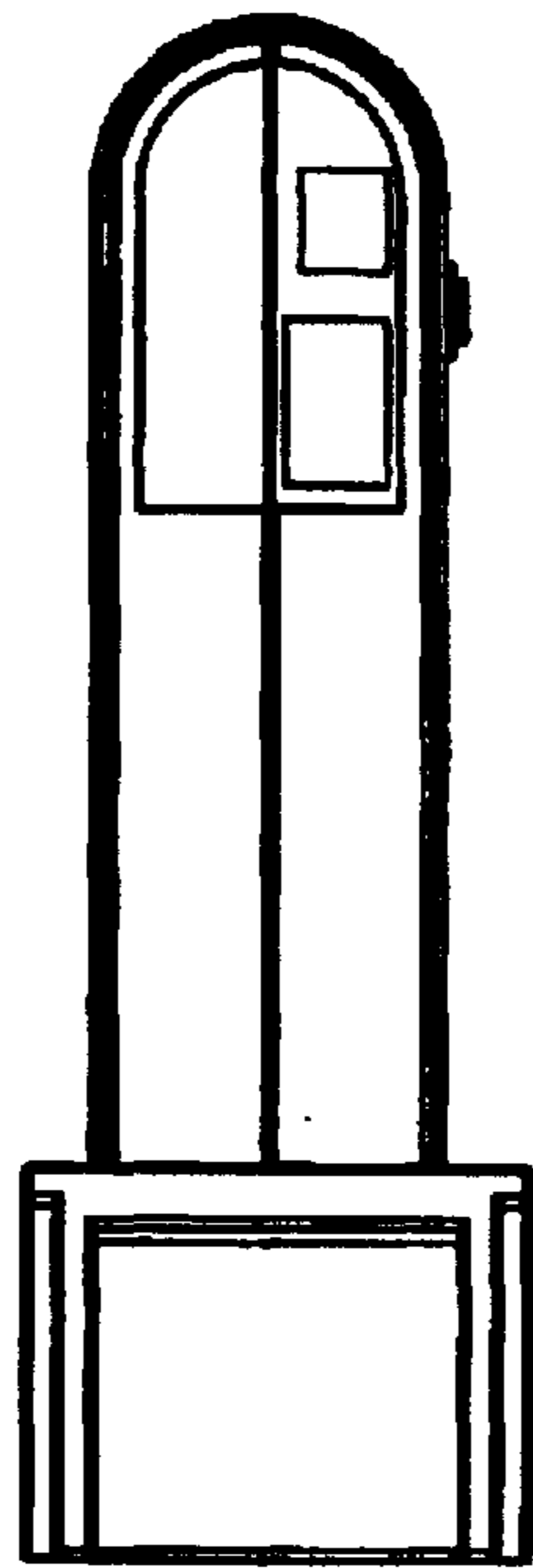


FIG. 3

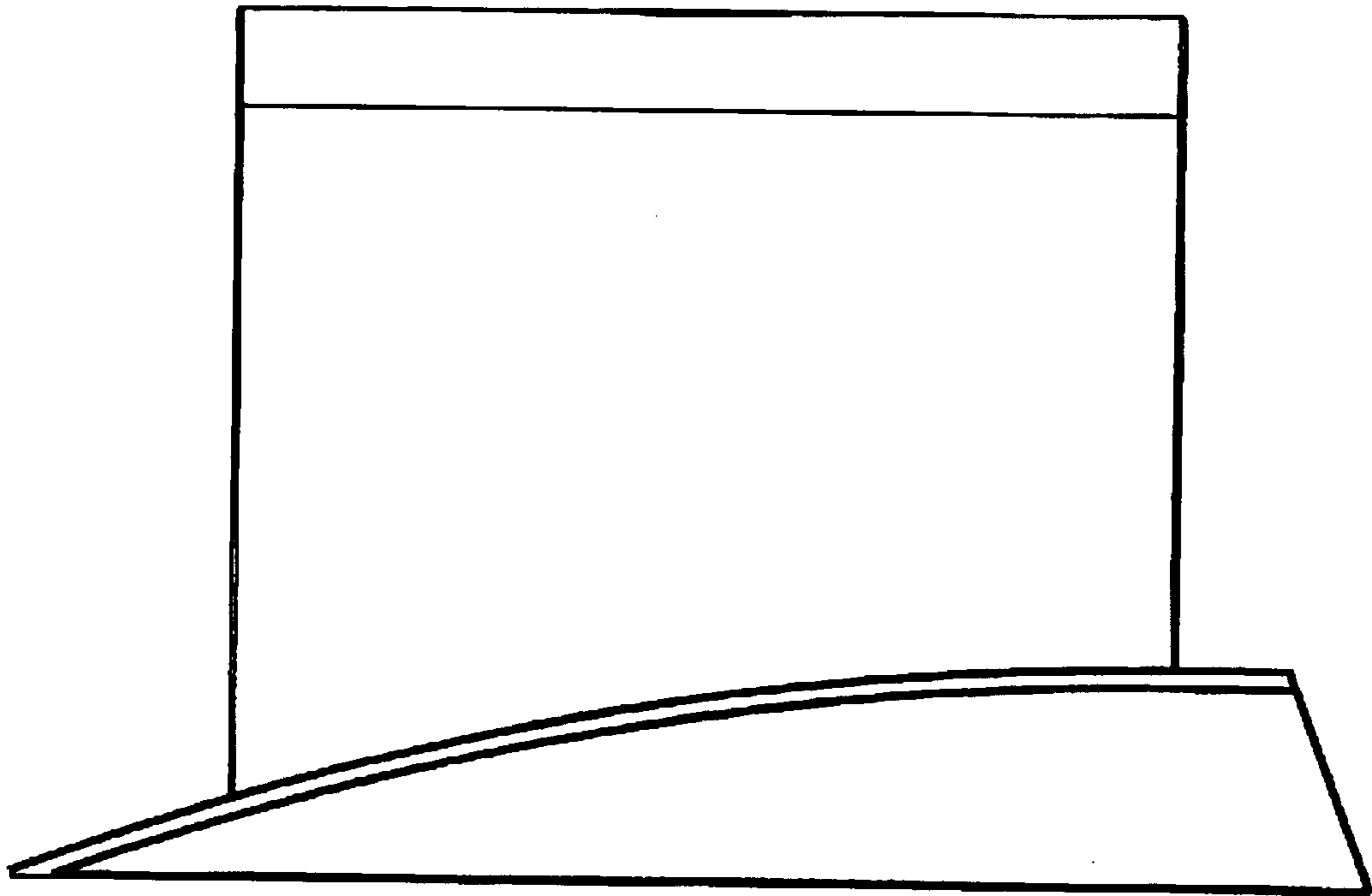


FIG. 4

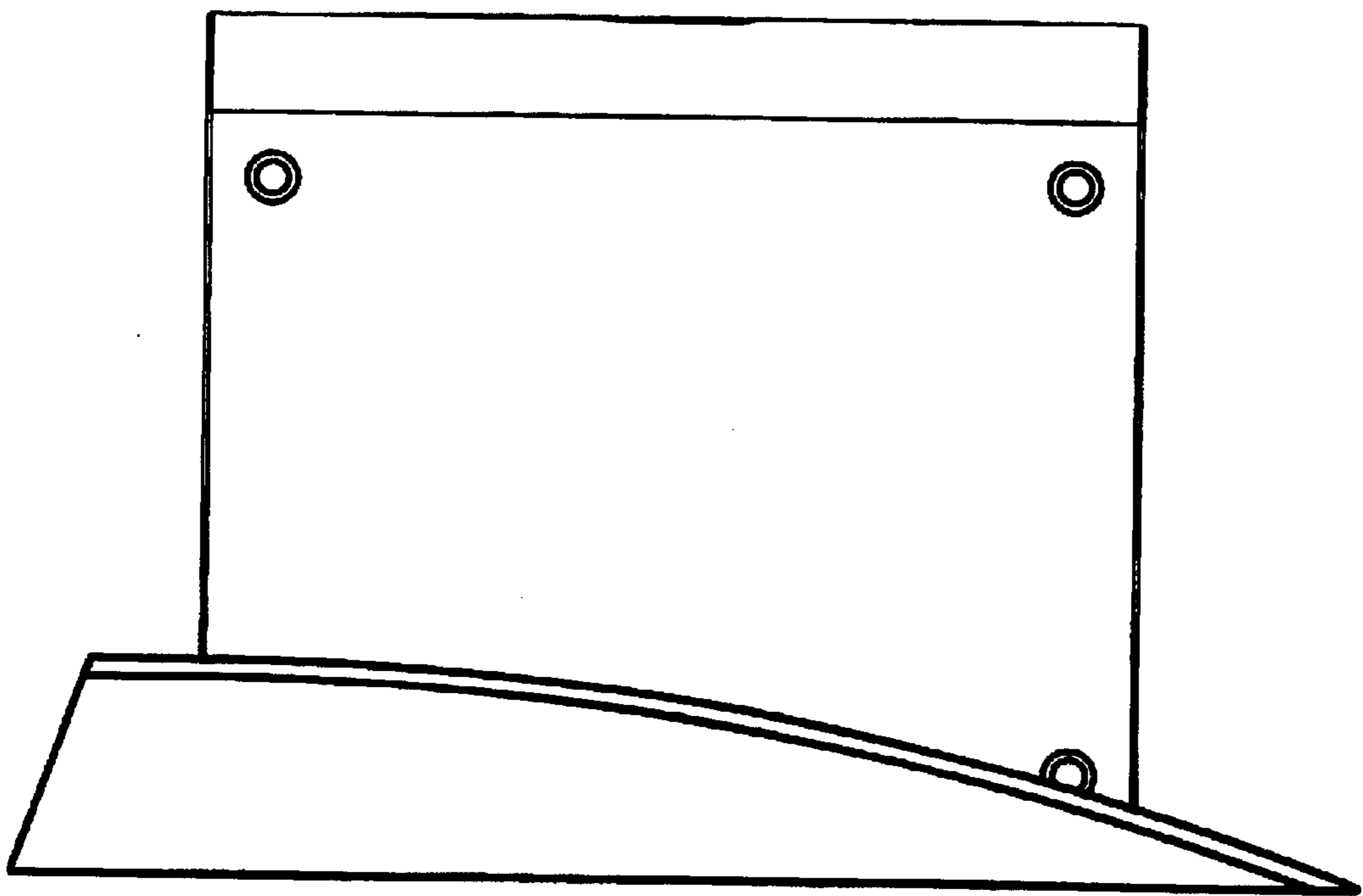


FIG. 5

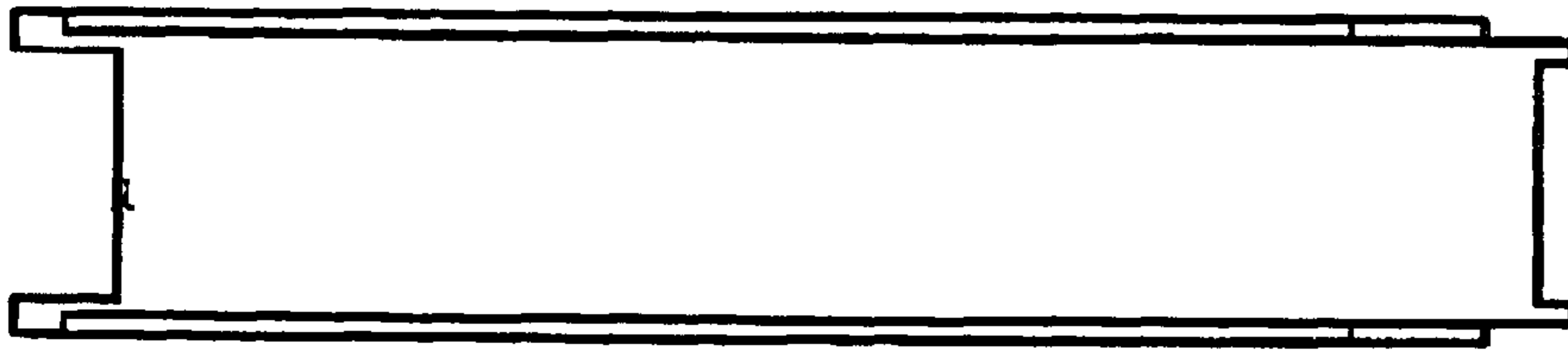


FIG. 7

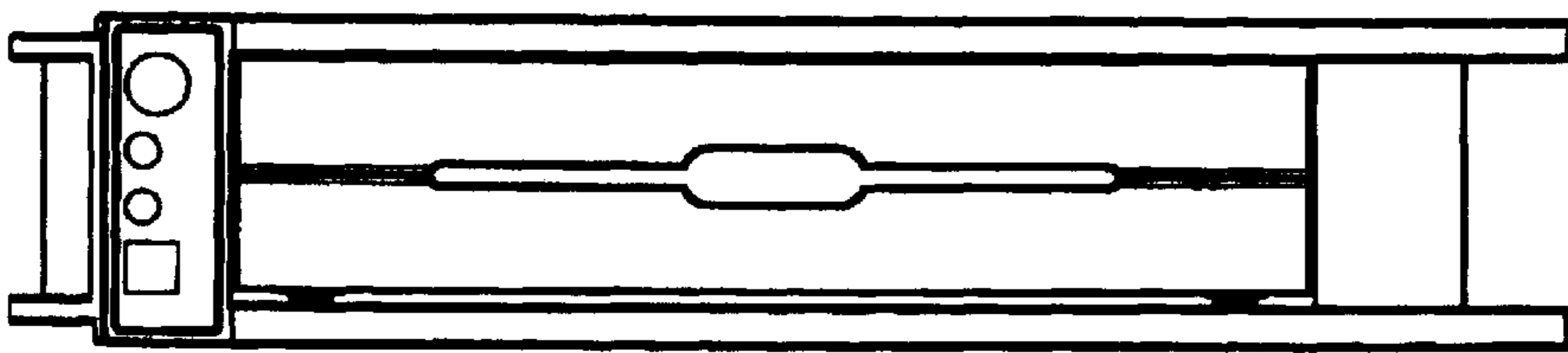


FIG. 6