



US00D490424S

(12) **United States Design Patent**  
**Yamanashi**

(10) **Patent No.:** **US D490,424 S**

(45) **Date of Patent:** **\*\* May 25, 2004**

(54) **BASE STATION FOR COMPUTER COMMUNICATION NETWORK**

(75) **Inventor:** **Yuji Yamanashi, Kariya (JP)**

(73) **Assignee:** **Kabushiki Kaisha Toyota Jidoshokki, Kariya (JP)**

(\*\*) **Term:** **14 Years**

(21) **Appl. No.:** **29/165,285**

(22) **Filed:** **Aug. 7, 2002**

(30) **Foreign Application Priority Data**

Feb. 15, 2002 (JP) ..... 2002-003806

(51) **LOC (7) Cl.** ..... **14-02**

(52) **U.S. Cl.** ..... **D14/358**

(58) **Field of Search** ..... D14/356-359, D14/432-434, 149, 155, 240; D13/162, 184, 199; 360/97.01, 97.04, 98.01; 361/690-696; 369/34.01, 36.01; 439/95, 248; 379/429

(56) **References Cited**

**U.S. PATENT DOCUMENTS**

D353,372 S \* 12/1994 Delhaes ..... D14/149  
D357,234 S \* 4/1995 Yoshihara ..... D14/358  
5,548,643 A \* 8/1996 Dalgleish et al. .... 379/429

D394,266 S \* 5/1998 Hogenbirk ..... D14/240  
D401,580 S \* 11/1998 Goto ..... D14/155  
D429,238 S \* 8/2000 Kolinen ..... D14/240  
D438,199 S \* 2/2001 Arpe ..... D14/240

\* cited by examiner

*Primary Examiner*—Freda Nunn

(74) *Attorney, Agent, or Firm*—Morgan & Finnegan, LLP

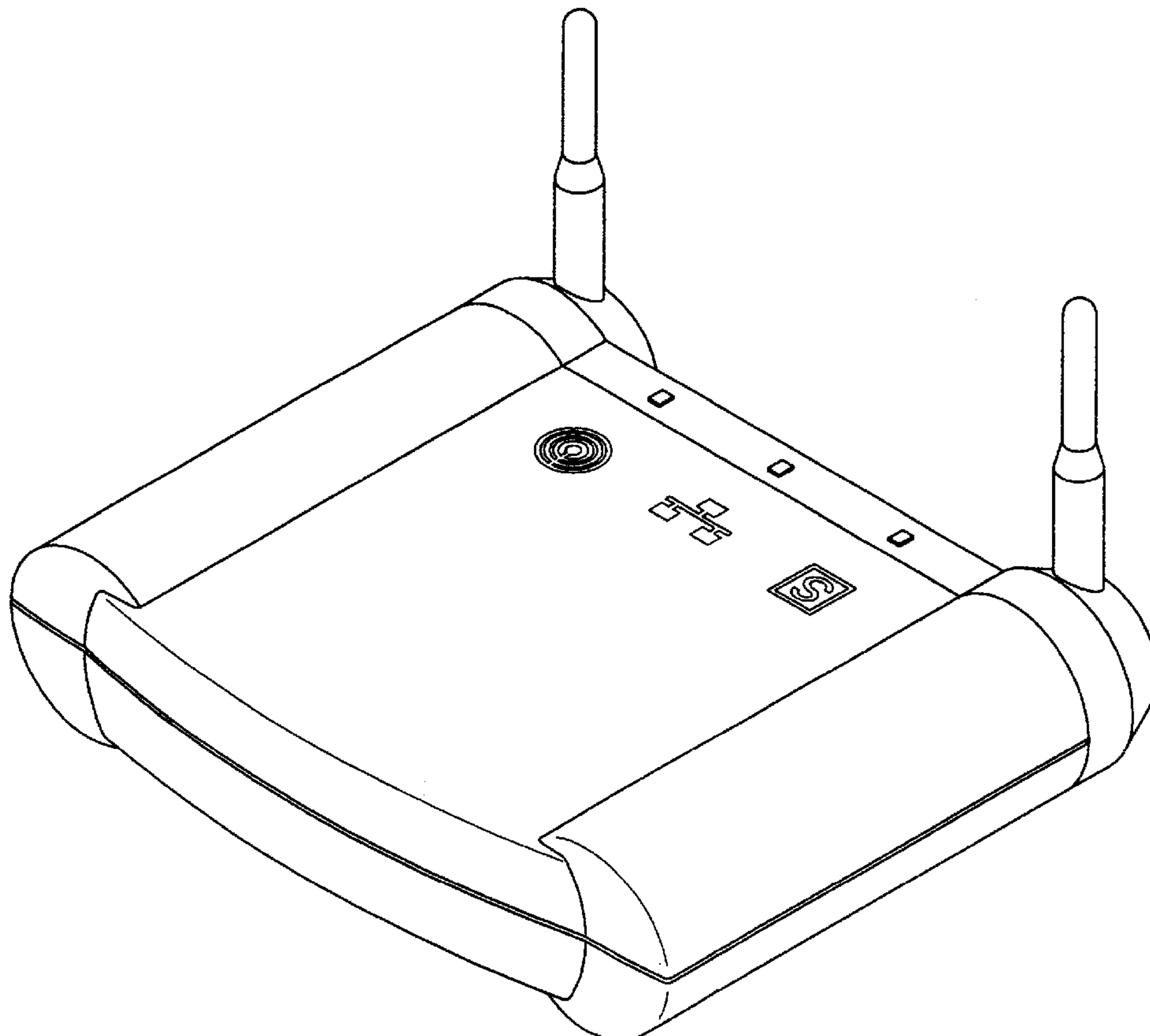
(57) **CLAIM**

The ornamental design for a base station for computer communication network, as shown and described.

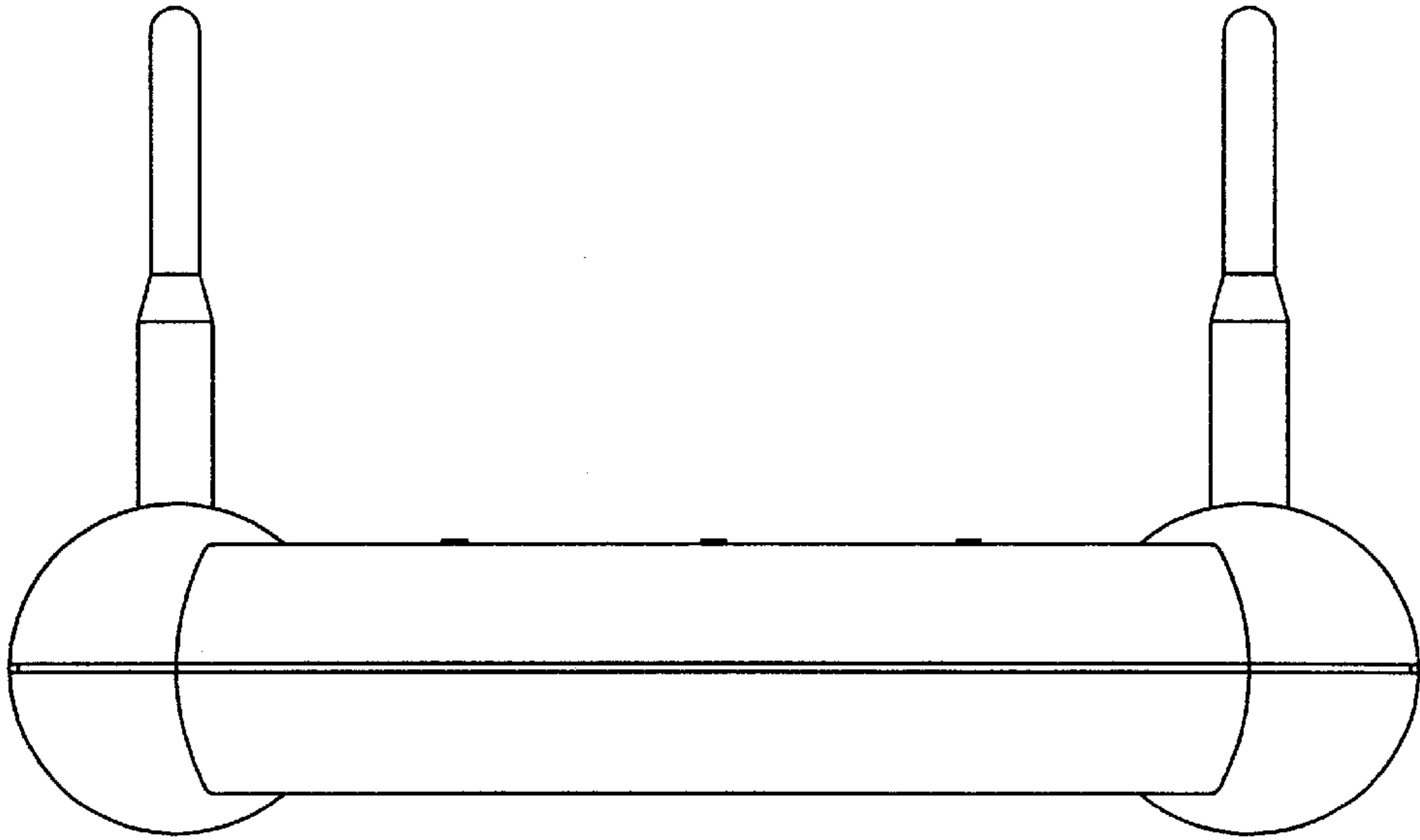
**DESCRIPTION**

FIG. 1 is a front view showing a base station for computer communication network according to the present invention; FIG. 2 is a rear view showing the base station of FIG. 1; FIG. 3 is a top plan view showing the base station of FIG. 1; FIG. 4 is a bottom plan view showing the base station of FIG. 1; FIG. 5 is a right side view showing the base station of FIG. 1, the left side view being a mirror image of the right side view; and, FIG. 6 is a front perspective view showing the base station of FIG. 1.

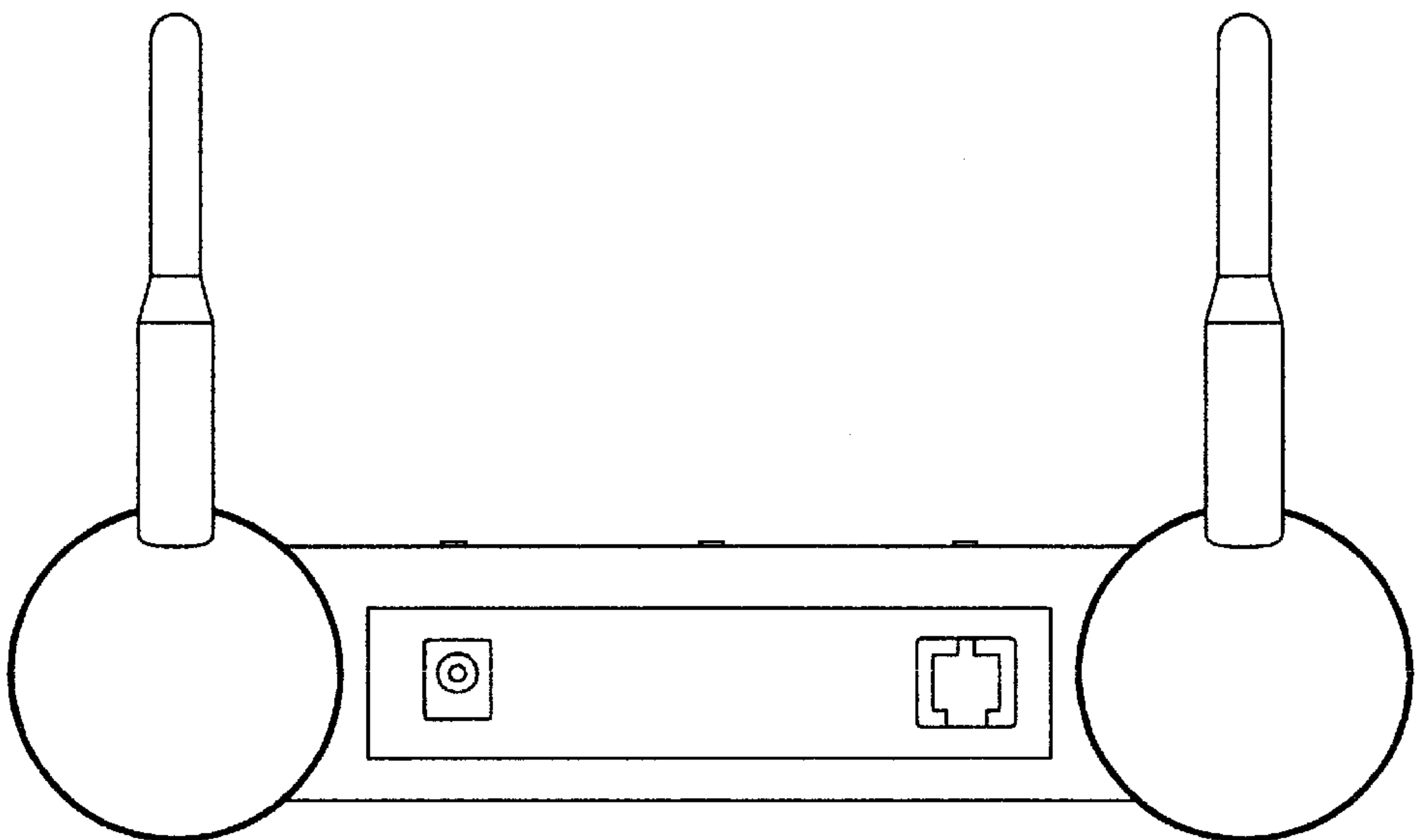
**1 Claim, 3 Drawing Sheets**



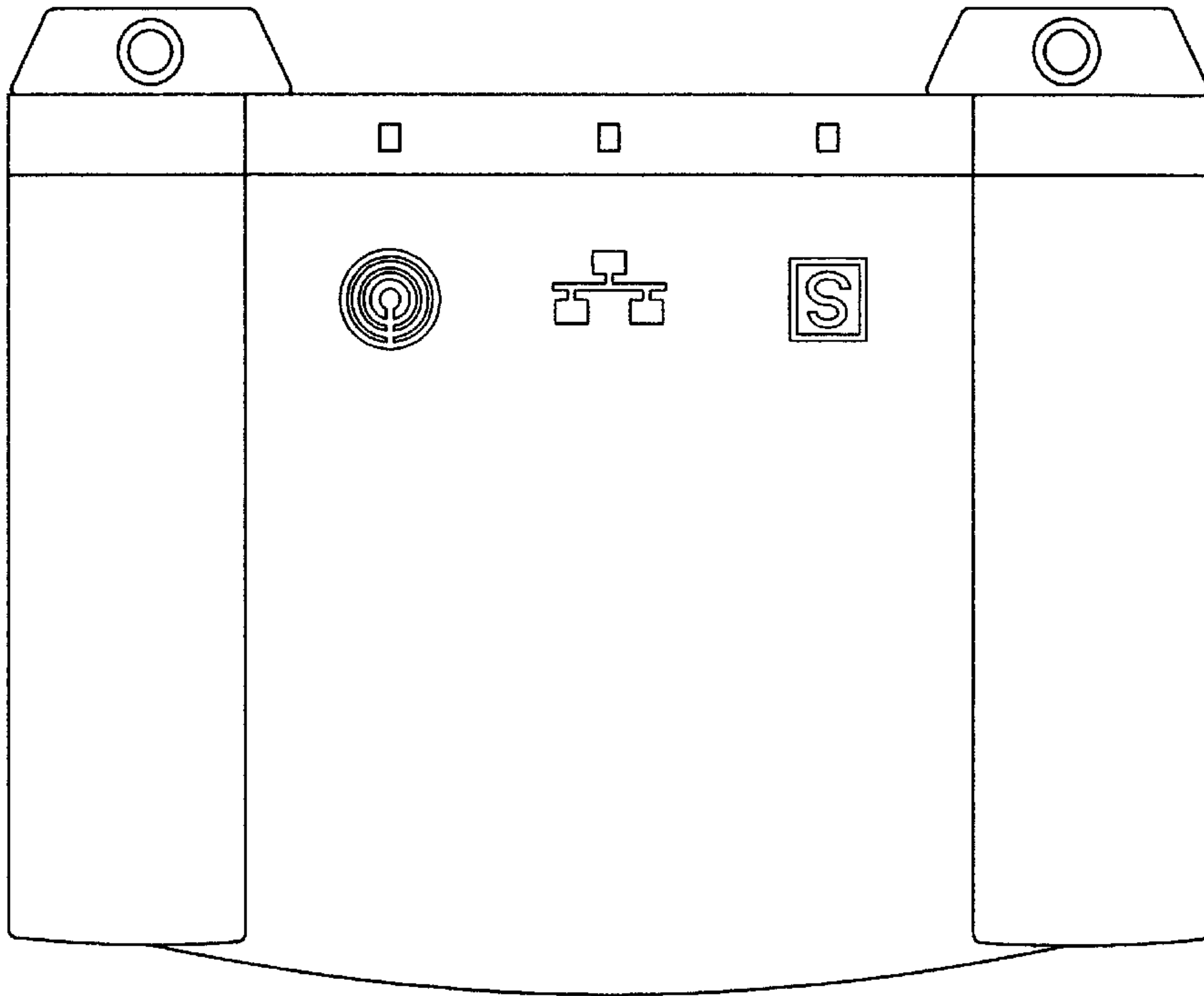
**Fig. 1**



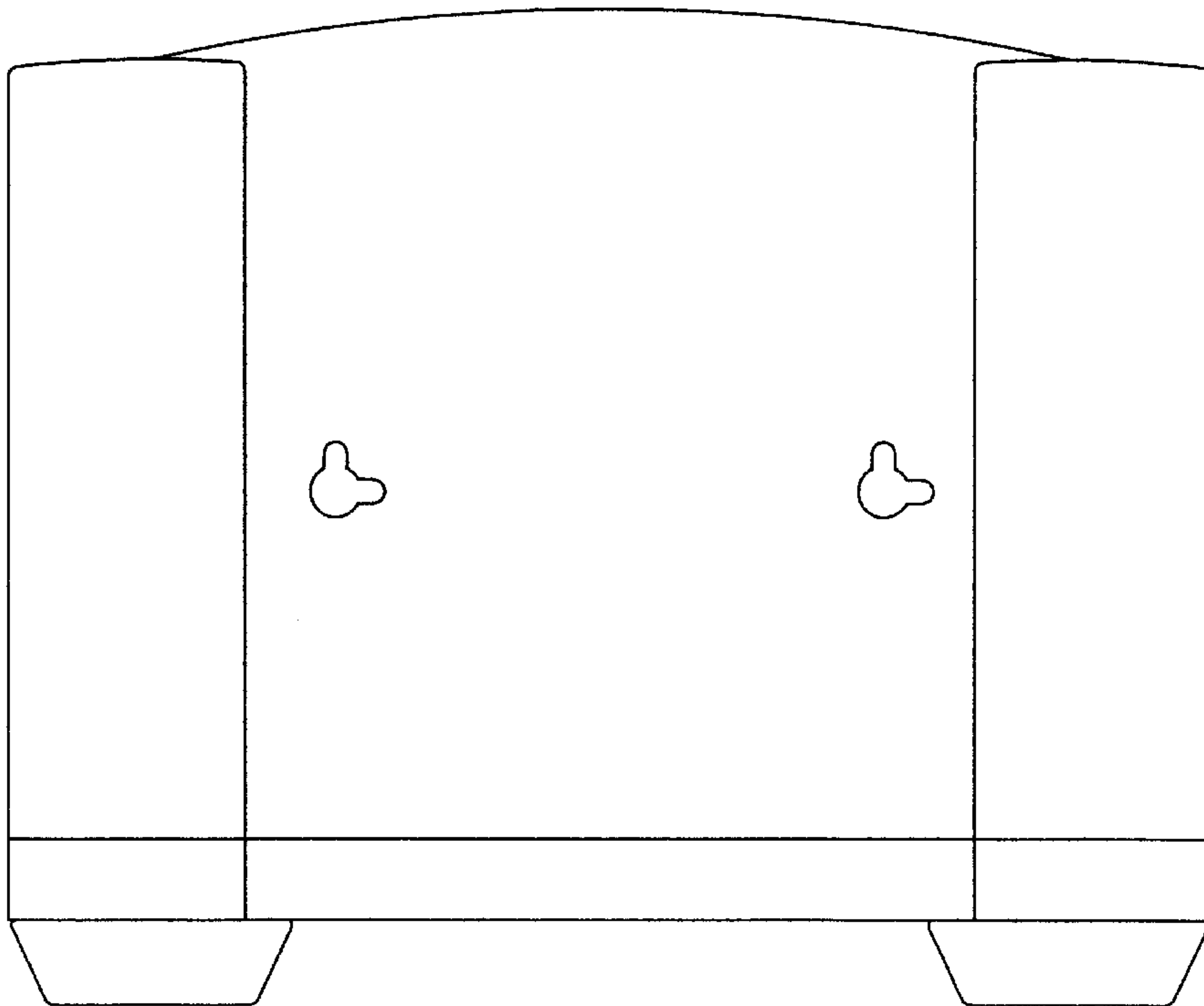
**Fig. 2**



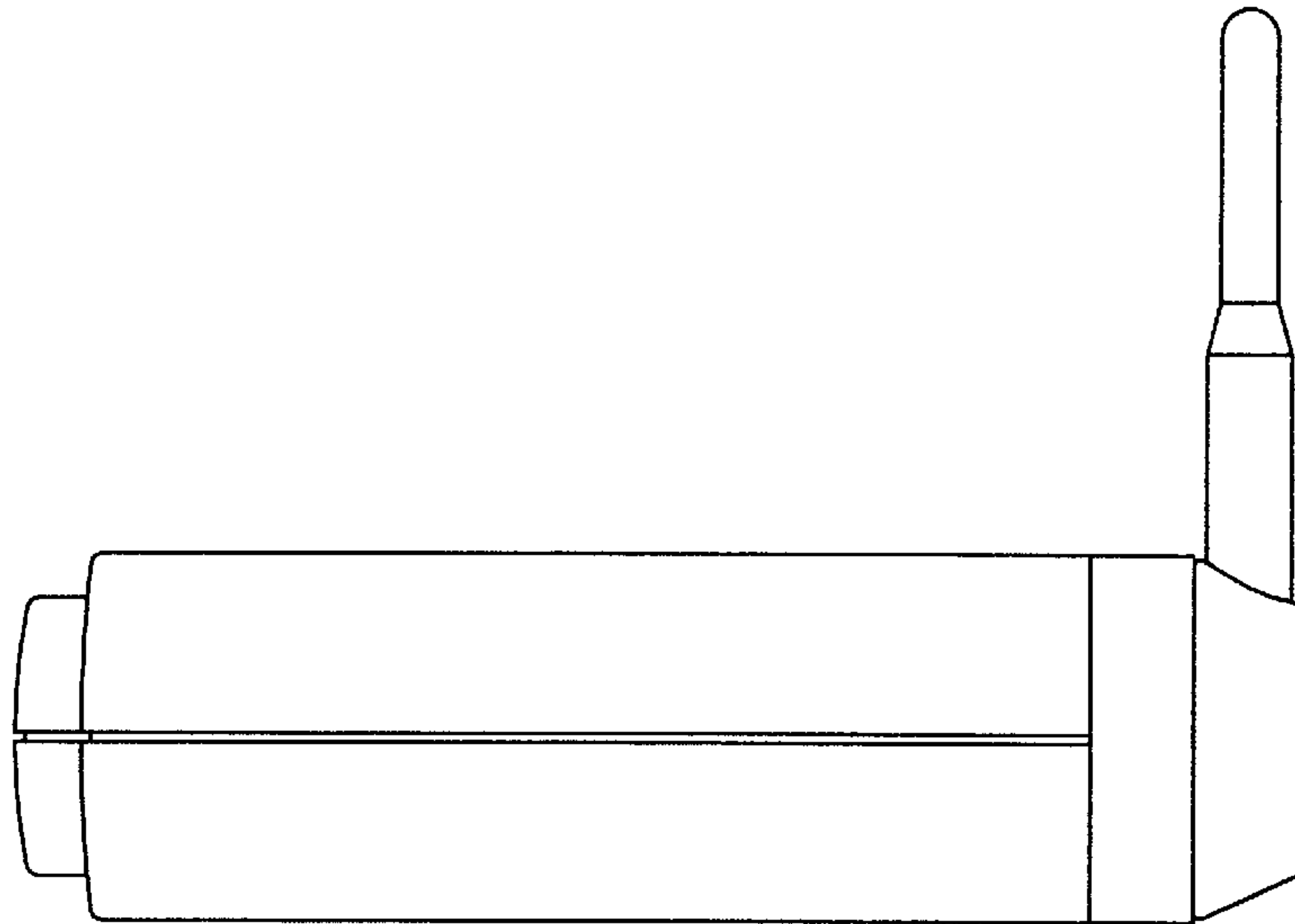
**Fig. 3**



**Fig. 4**



**Fig. 5**



**Fig. 6**

