



US00D490416S

(12) **United States Design Patent**
Cruikshank et al.

(10) **Patent No.:** **US D490,416 S**

(45) **Date of Patent:** **** May 25, 2004**

(54) **KIOSK**

(75) Inventors: **Terry L. Cruikshank**, Cherry Hill, NJ (US); **Ronald L. Bowers**, Cedarburg, WI (US); **Barry L. McElreath**, Moorestown, NJ (US); **Jeffery J. Herrenbruck**, Port Washington, WI (US)

(73) Assignee: **Oki Data Americas, Inc.**, Mt. Laurel, NJ (US)

(**) Term: **14 Years**

(21) Appl. No.: **29/170,547**

(22) Filed: **Nov. 7, 2002**

(51) **LOC (7) Cl.** **14-02**

(52) **U.S. Cl.** **D14/308; D14/900; D20/10; D99/28**

(58) **Field of Search** **D20/1-6, 10, 39, D20/40, 42, 99; D14/300-308; D18/52, 53; D99/28; 40/584, 624; 235/379, 380, 381, 382**

(56) **References Cited**

U.S. PATENT DOCUMENTS

D132,574 S	*	5/1942	Davidson et al.	D18/53
D152,588 S	*	2/1949	Brundage	D20/5
D171,456 S	*	2/1954	Mitchell	D18/53
D171,690 S	*	3/1954	Dreyfuss et al.	D18/53
D171,691 S	*	3/1954	Dreyfuss et al.	D18/53
2,769,516 A	*	11/1956	Hensley, Jr.	194/210
D195,643 S	*	7/1963	Andres	D20/2
D204,329 S	*	4/1966	Simmons	D18/6
D340,257 S	*	10/1993	Ishida et al.	D18/53
D353,618 S	*	12/1994	Hiraishi et al.	D18/53

D366,061 S	*	1/1996	Likins et al.	D18/57
D374,461 S		10/1996	Greenlee		
D377,197 S		1/1997	McKoy, Sr.		
D378,534 S		3/1997	Kato et al.		
H1708 H		2/1998	Davidson et al.		
D394,458 S		5/1998	Watanabe et al.		
D401,973 S	*	12/1998	Isshiki et al.	D20/10
D421,464 S	*	3/2000	Risolio	D20/6
D430,867 S	*	9/2000	Smith et al.	D14/308
D434,078 S		11/2000	Matsumoto		
D438,569 S		3/2001	Hofmann		
D441,170 S	*	4/2001	Ciesko et al.	D99/28
D449,726 S		10/2001	Lin		
D452,884 S		1/2002	Metral		
D456,587 S		4/2002	Kit et al.		

* cited by examiner

Primary Examiner—Robert M. Spear

(74) *Attorney, Agent, or Firm*—Akin, Gump Strauss Hauer & Feld, LLP

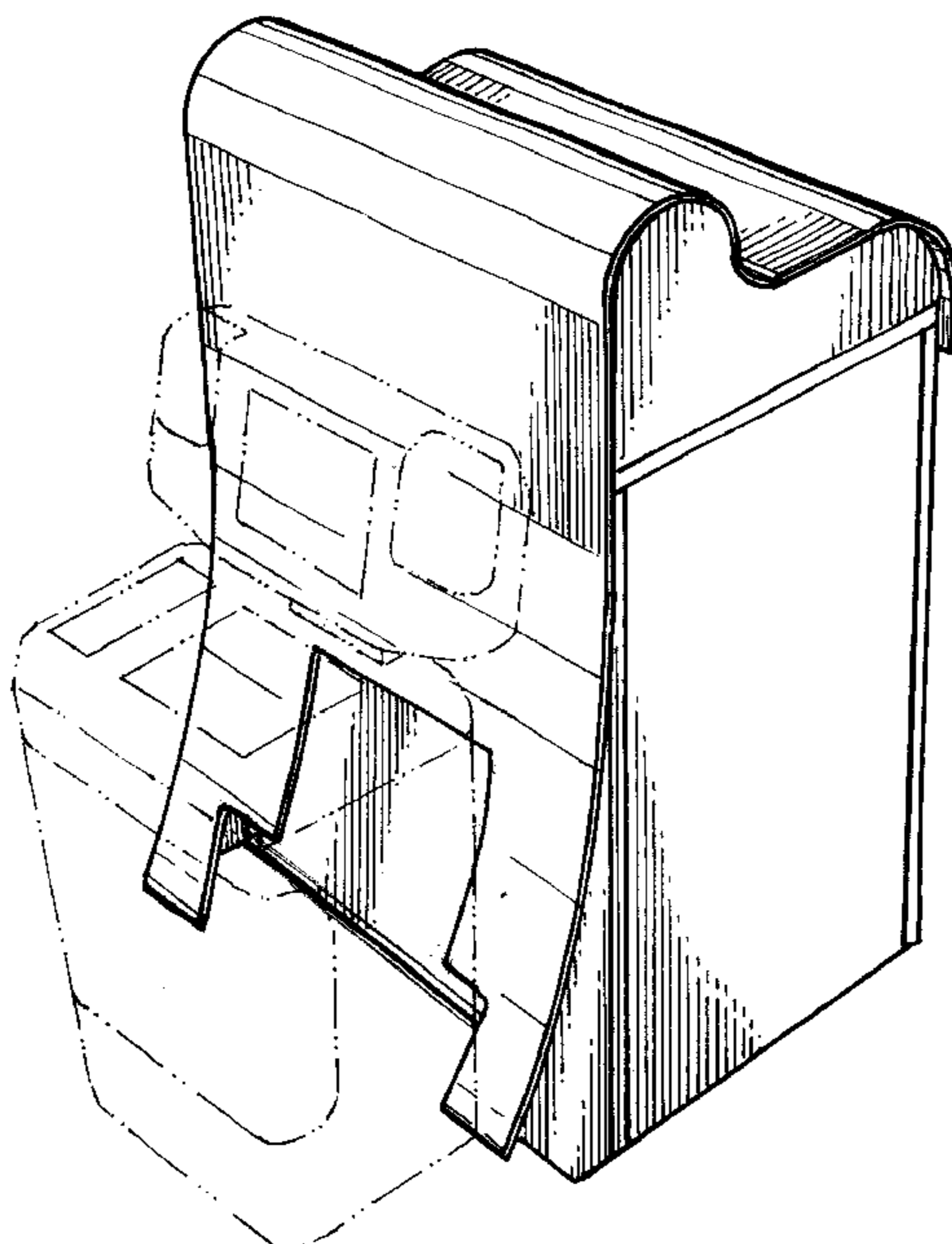
(57) **CLAIM**

The ornamental design for a kiosk, as shown and described.

DESCRIPTION

FIG. 1 is a front perspective view of a kiosk in accordance with our new design;
FIG. 2 is a top plan view thereof;
FIG. 3 is a bottom plan view thereof;
FIG. 4 is a front elevational view thereof;
FIG. 5 is a rear elevational view thereof;
FIG. 6 is a left side elevational view thereof; and,
FIG. 7 is a right side elevational view thereof.
The broken lines are for illustrative purposes only and form no part of the claimed design.

1 Claim, 3 Drawing Sheets



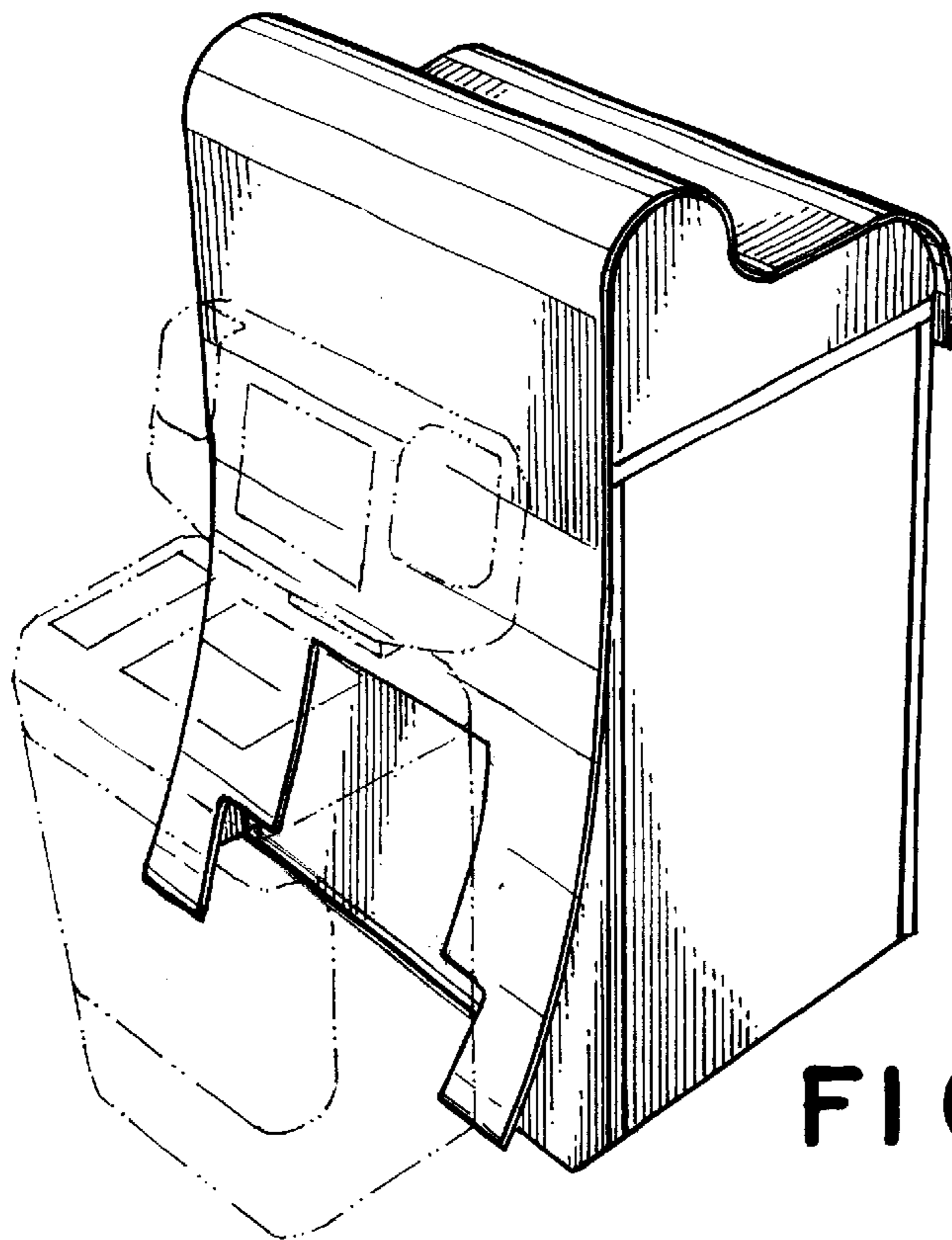


FIG. 1

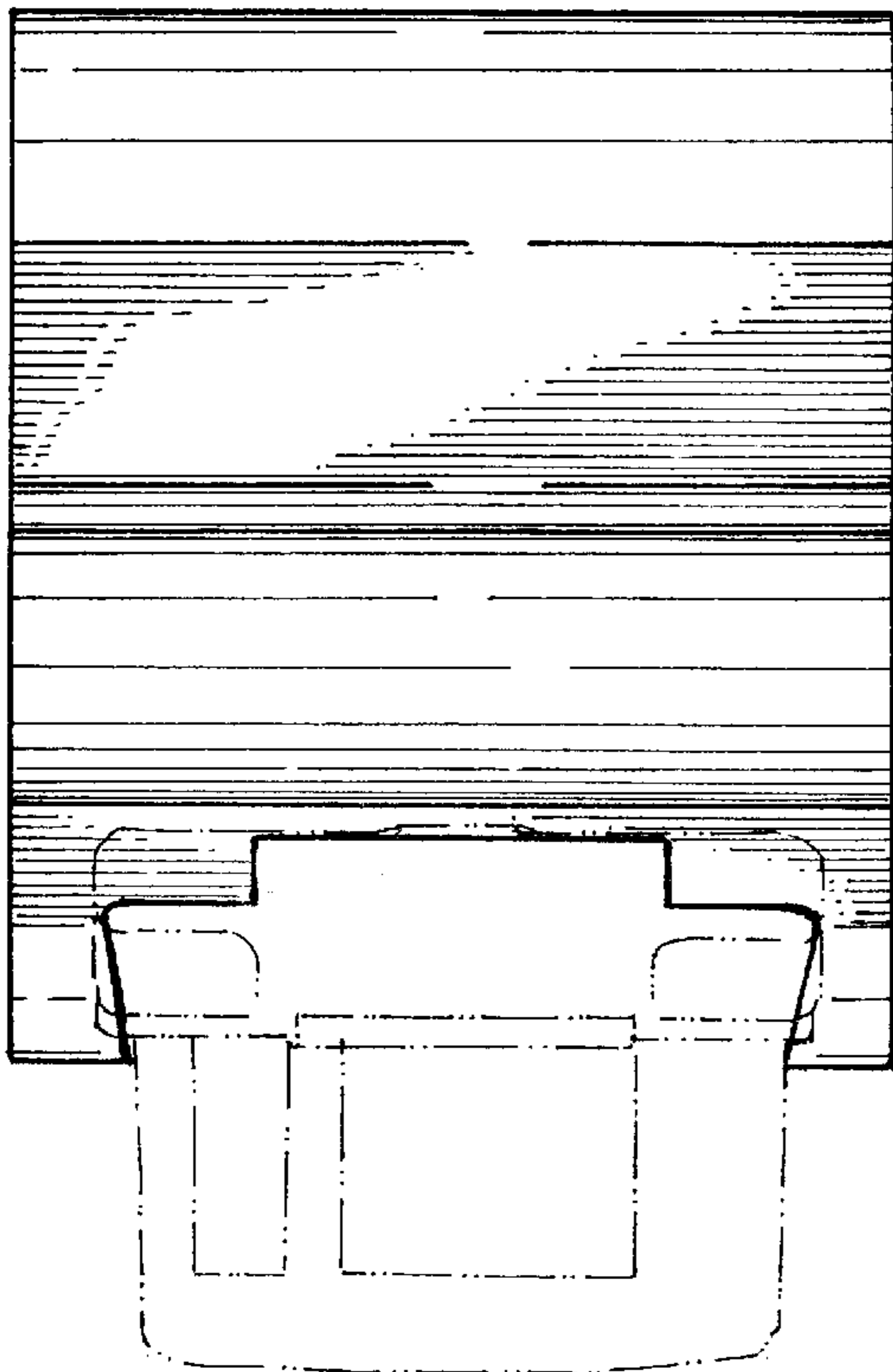


FIG. 2

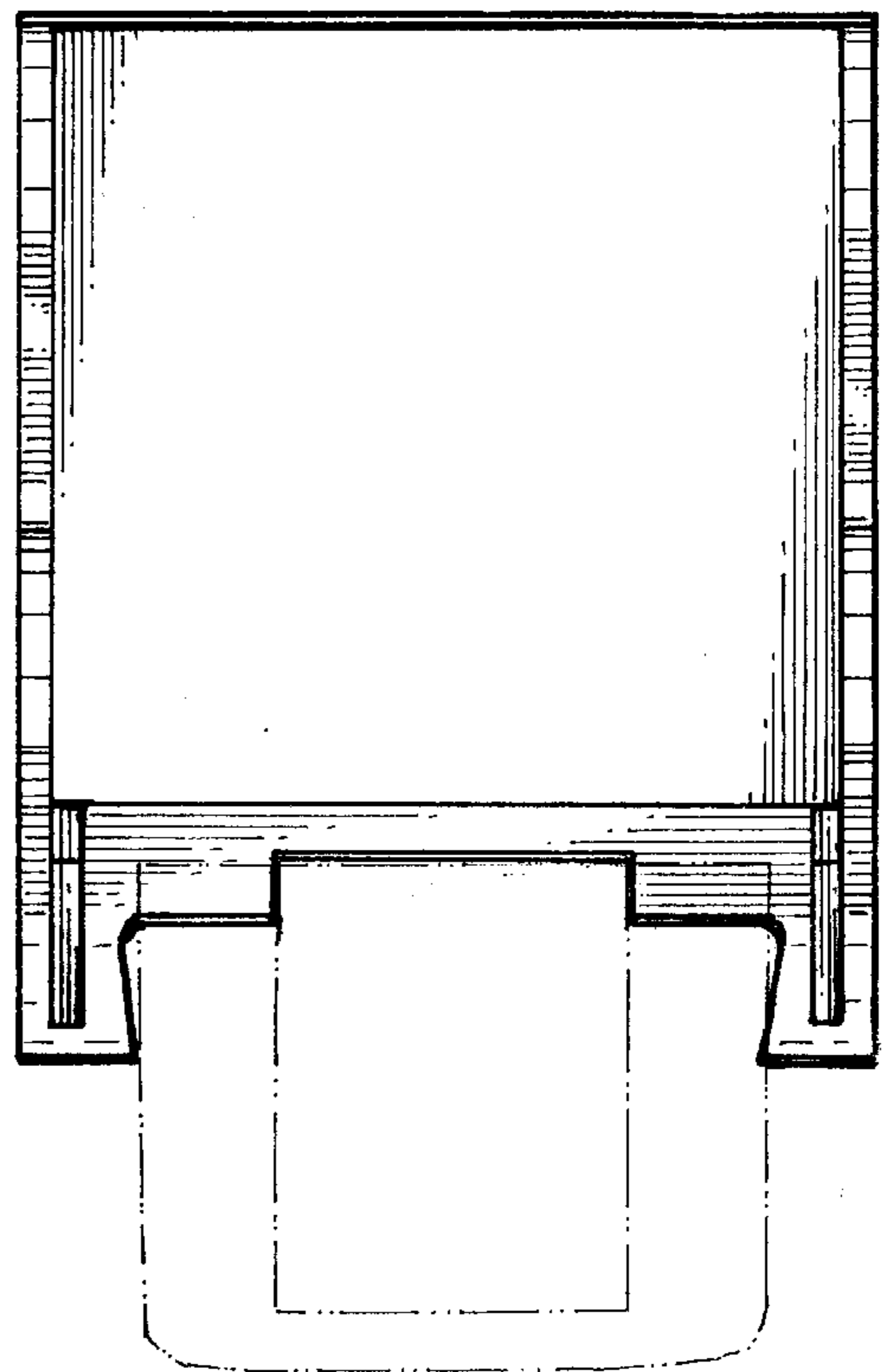


FIG. 3

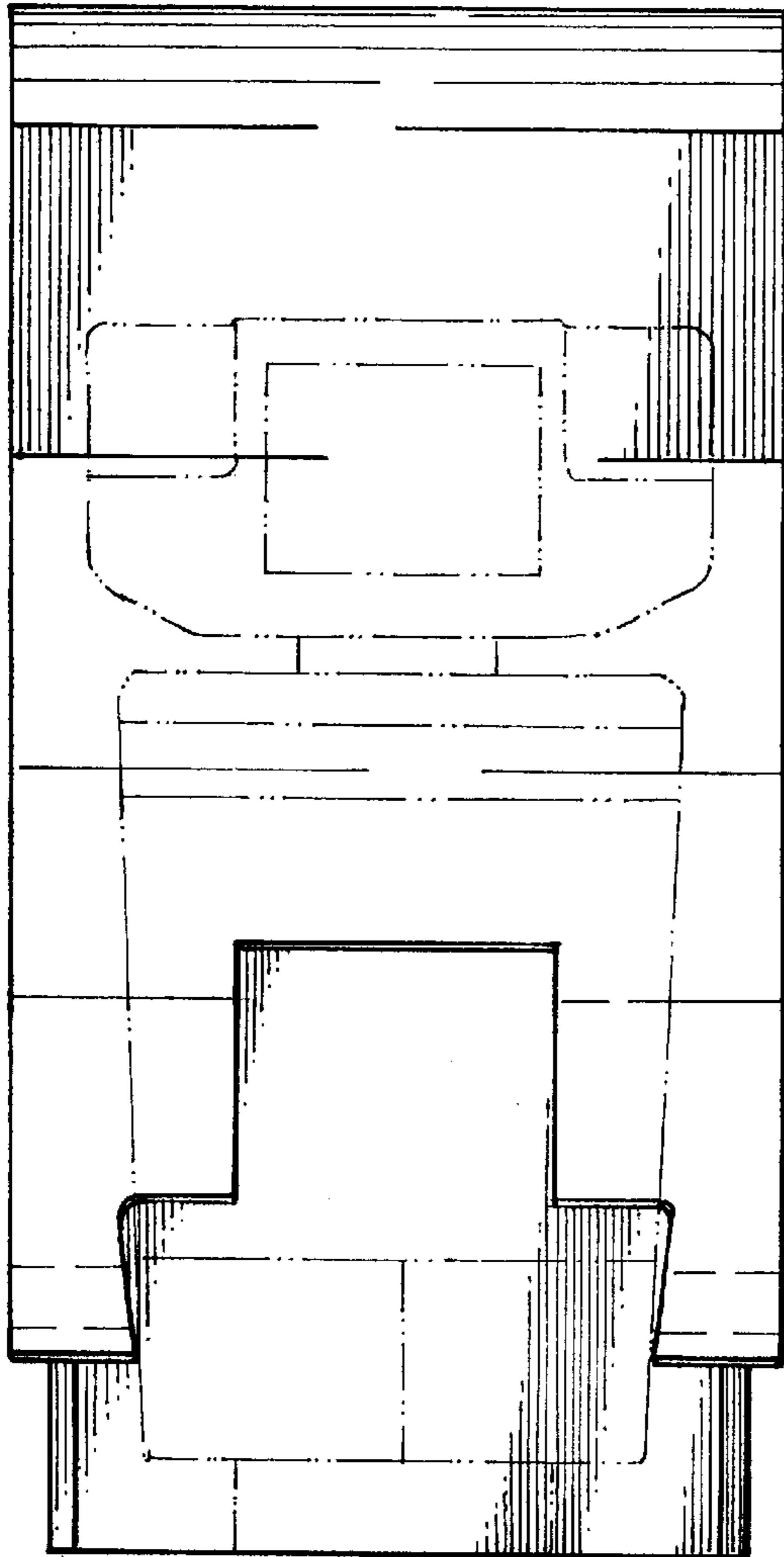


FIG. 4

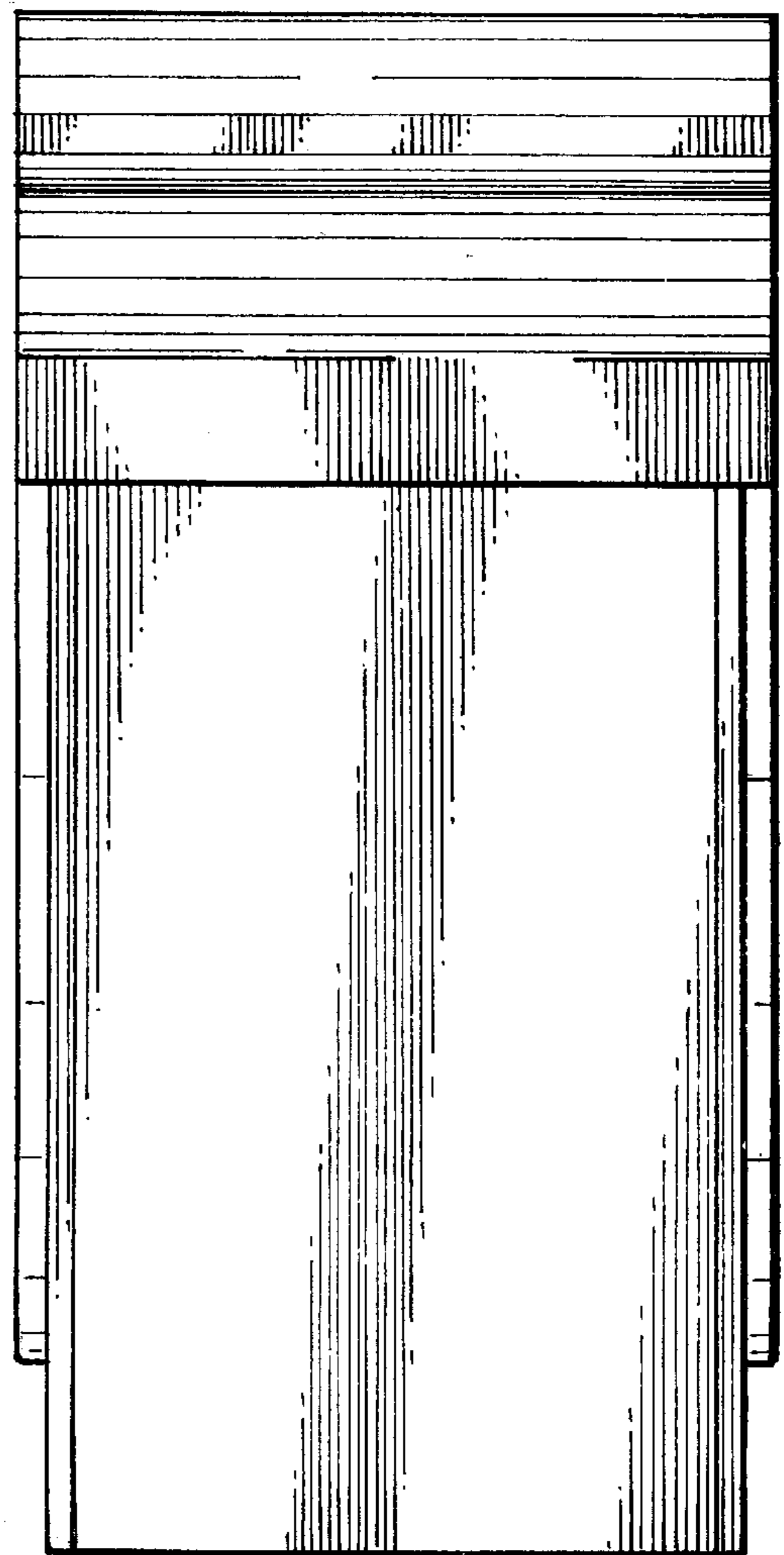


FIG. 5

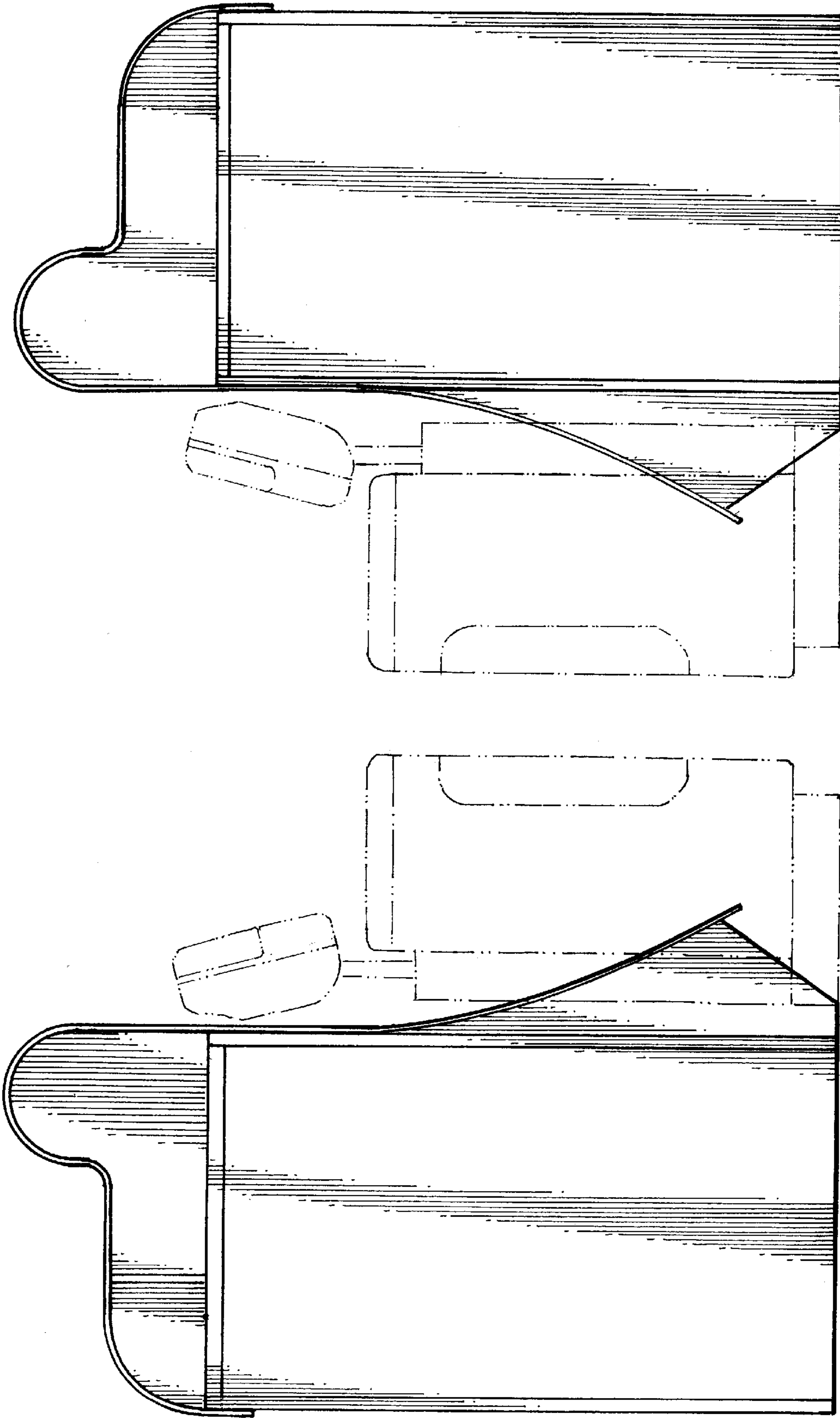


FIG. 6

FIG. 7