



US00D490397S

(12) **United States Design Patent**
Hasegawa et al.

(10) **Patent No.:** **US D490,397 S**

(45) **Date of Patent:** **** May 25, 2004**

(54) **DIGITAL AUDIO DISC PLAYER WITH
RADIO, TAPE RECORDER AND RECORD
PLAYER**

D67,637 S * 6/1925 Wolff D14/199
D442,573 S * 5/2001 Ito et al. D14/168
D442,937 S * 5/2001 Ito et al. D14/169
D454,858 S * 3/2002 Chan D14/199

(75) Inventors: **Shigeru Hasegawa**, Tokyo (JP);
Minoru Sube, Tokyo (JP)

* cited by examiner

(73) Assignee: **Teac Corporation**, Tokyo (JP)

Primary Examiner—Nanda Bondade

(**) Term: **14 Years**

(74) *Attorney, Agent, or Firm*—Kanesaka & Takeuchi

(21) Appl. No.: **29/185,805**

(22) Filed: **Jul. 7, 2003**

(57) **CLAIM**

The ornamental design for a digital audio disc player with radio, tape recorder and record player, as shown and described.

(30) **Foreign Application Priority Data**

Jan. 8, 2003 (JP) 2003-000178

DESCRIPTION

(51) **LOC (7) Cl.** **14-01**

(52) **U.S. Cl.** **D14/168**

(58) **Field of Search** D14/496, 156,
D14/167-168, 170-175, 183-184, 188-189,
193-204; 455/344, 350-351

FIG. 1 is a front view of a digital audio disc player with radio, tape recorder and record player showing our new design;

FIG. 2 is a rear view thereof;

FIG. 3 is a top plan view thereof;

FIG. 4 is a bottom plan view thereof;

FIG. 5 is a left side view thereof;

FIG. 6 is a right side view thereof; and,

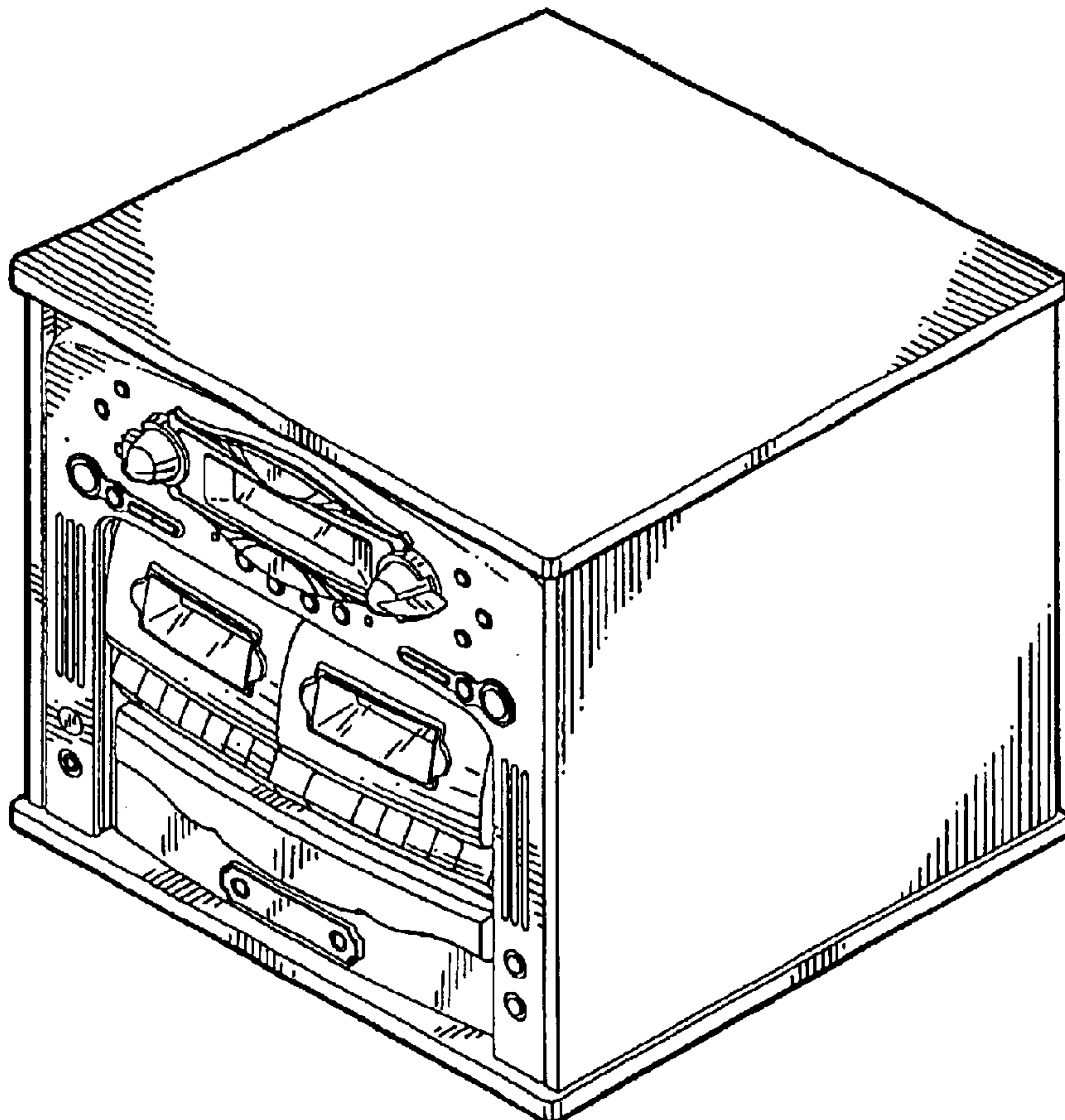
FIG. 7 is a perspective view thereof.

(56) **References Cited**

U.S. PATENT DOCUMENTS

D67,451 S * 6/1925 Gernsback D14/194

1 Claim, 4 Drawing Sheets



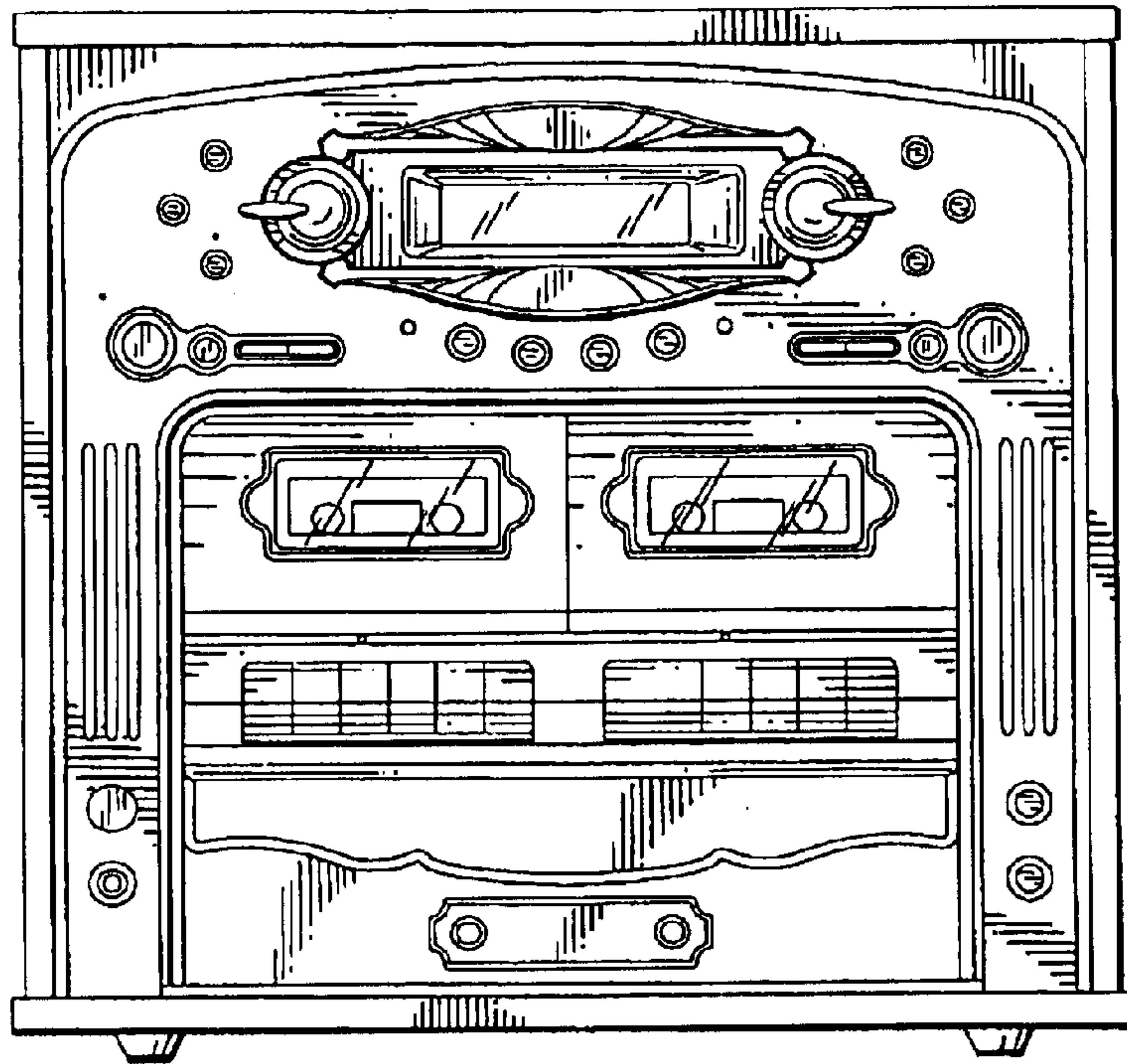


FIG. 1

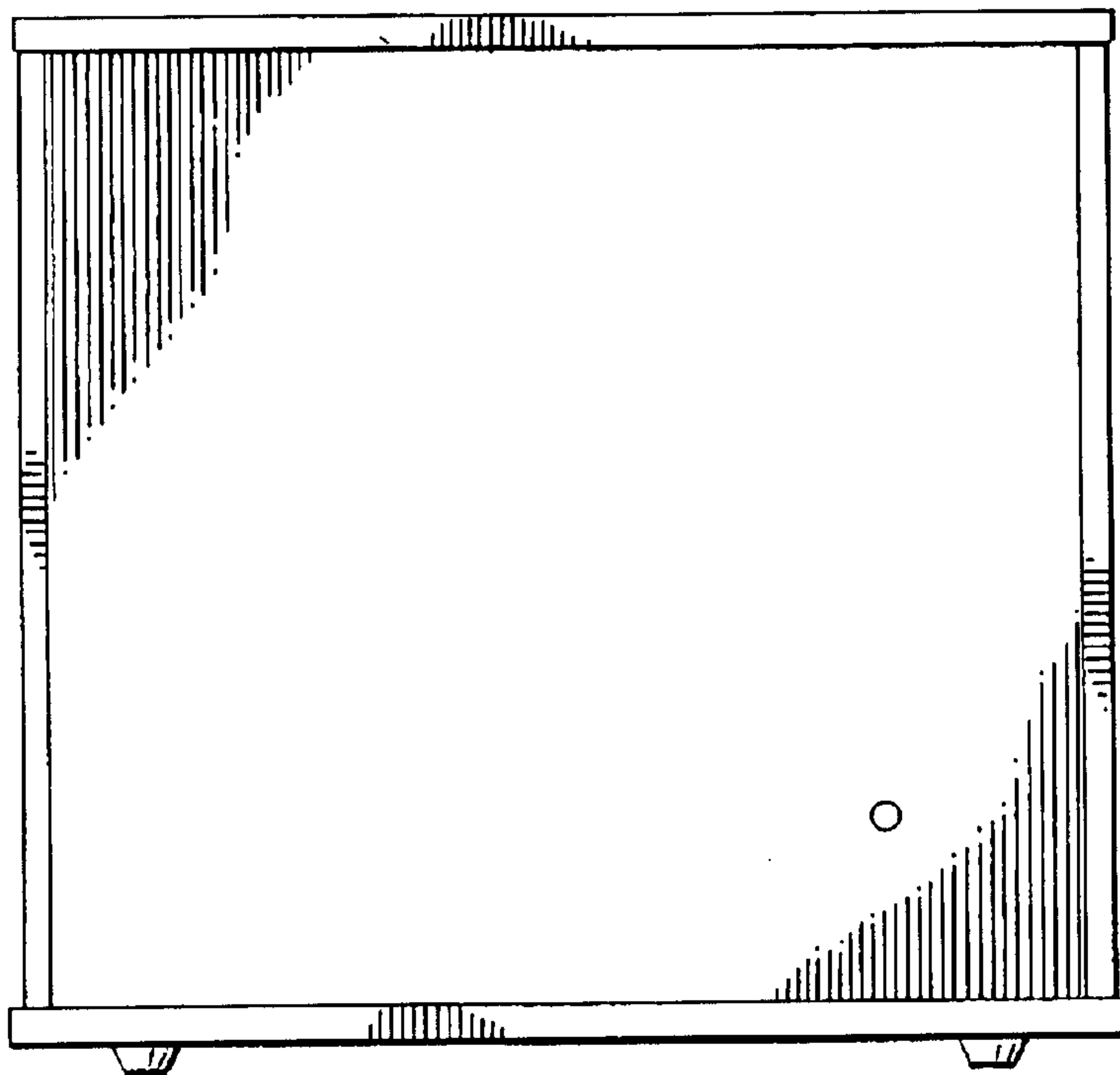


FIG. 2

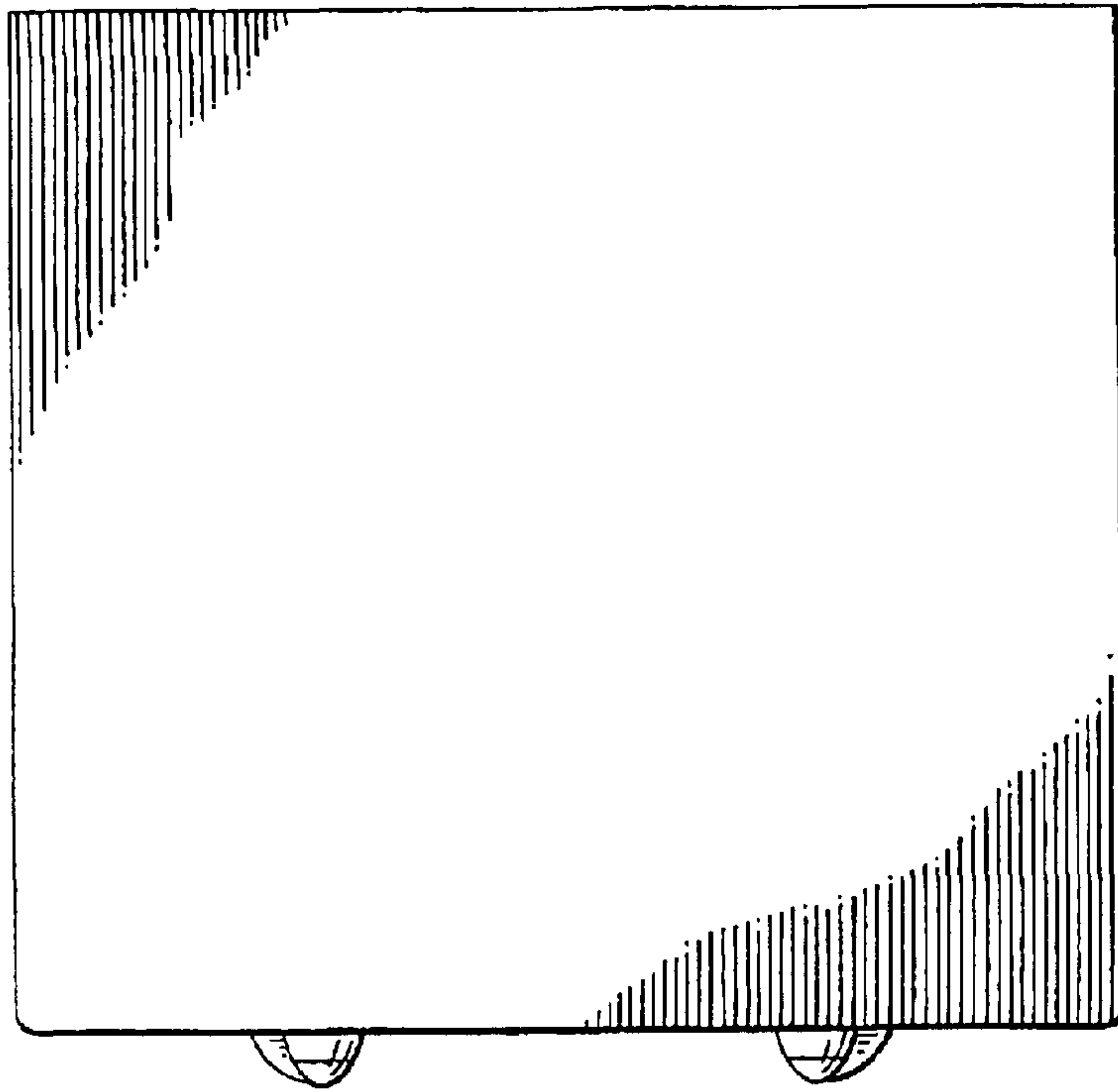


FIG. 3

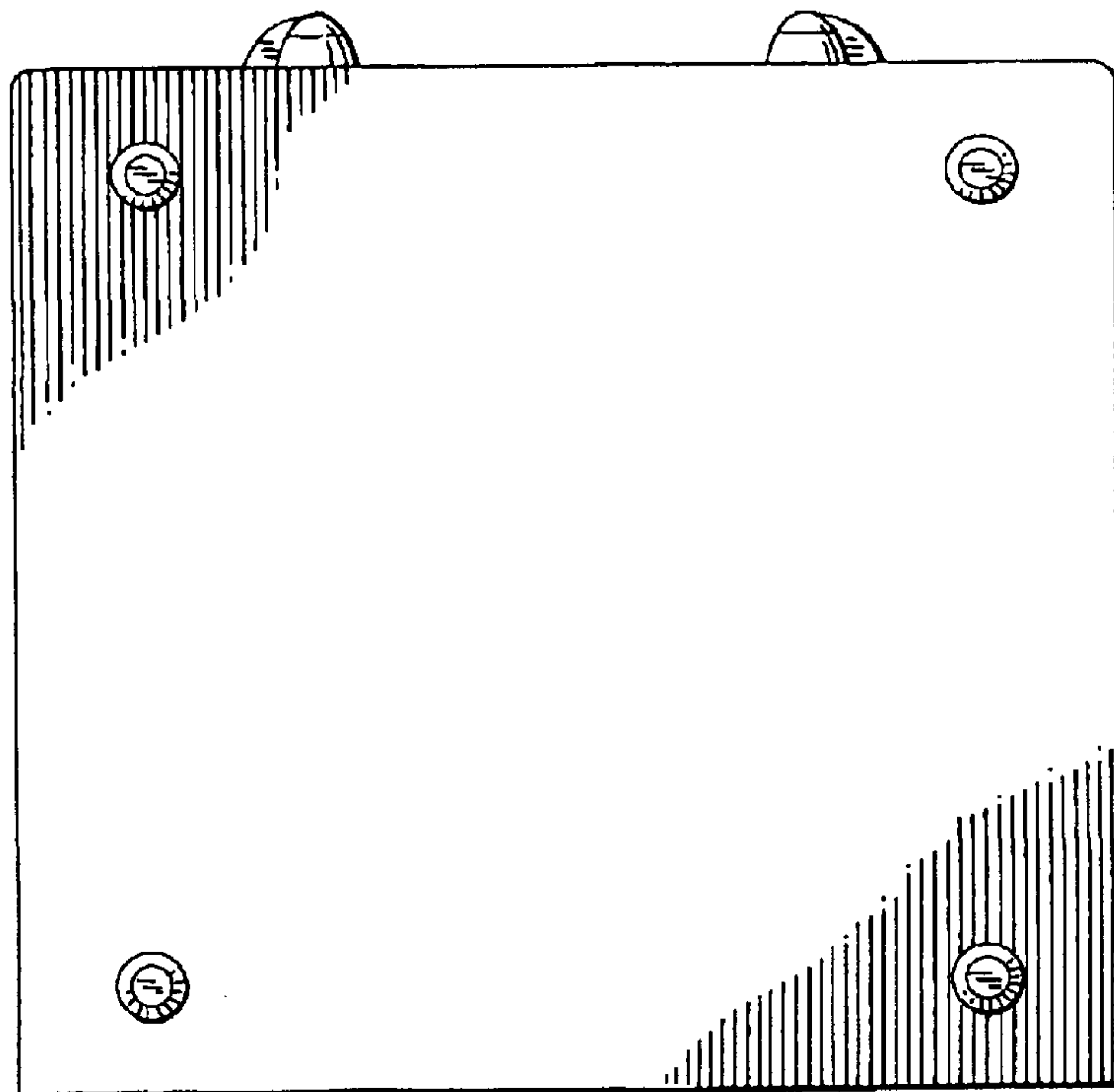


FIG. 4

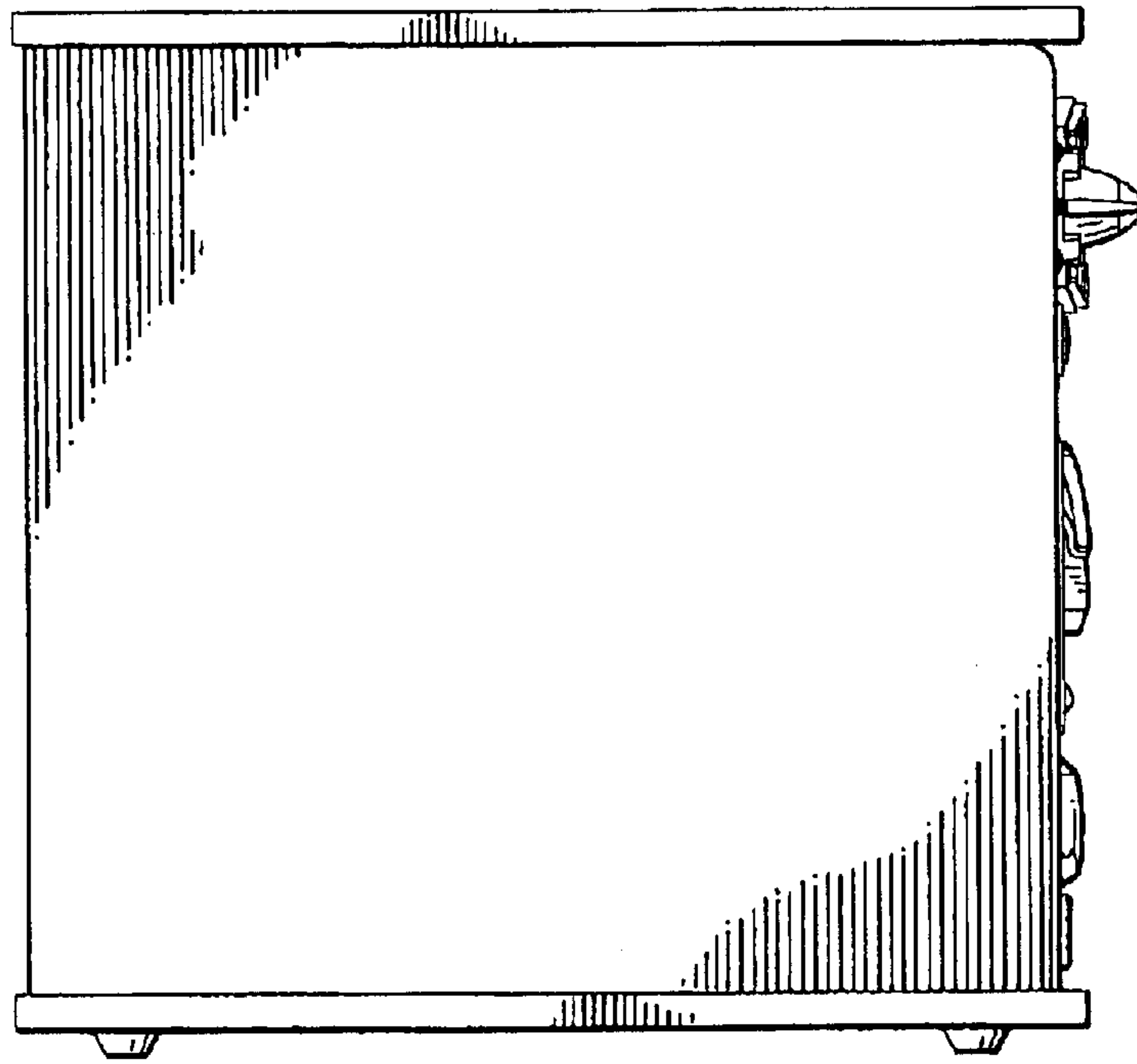


FIG. 5

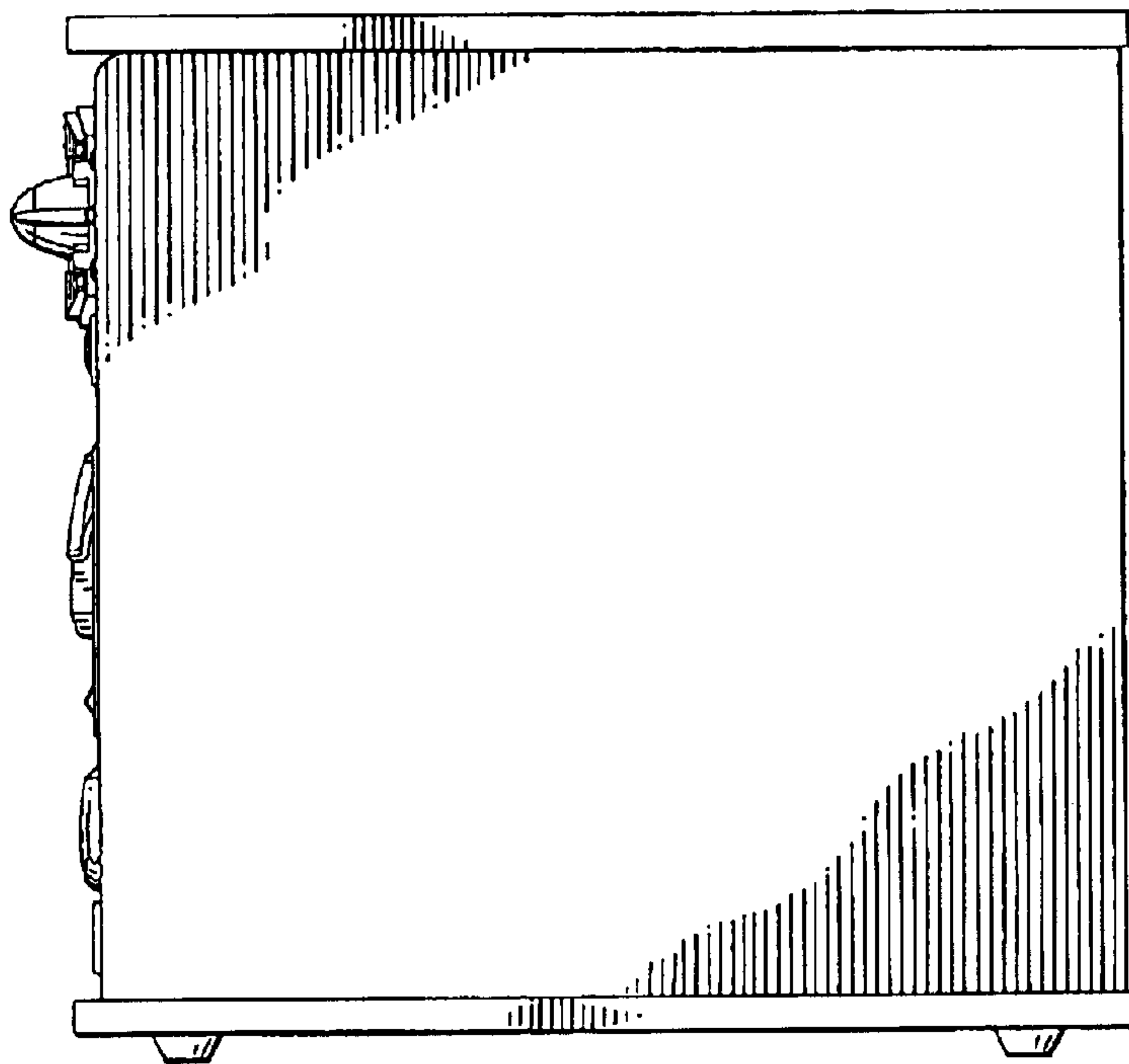


FIG. 6

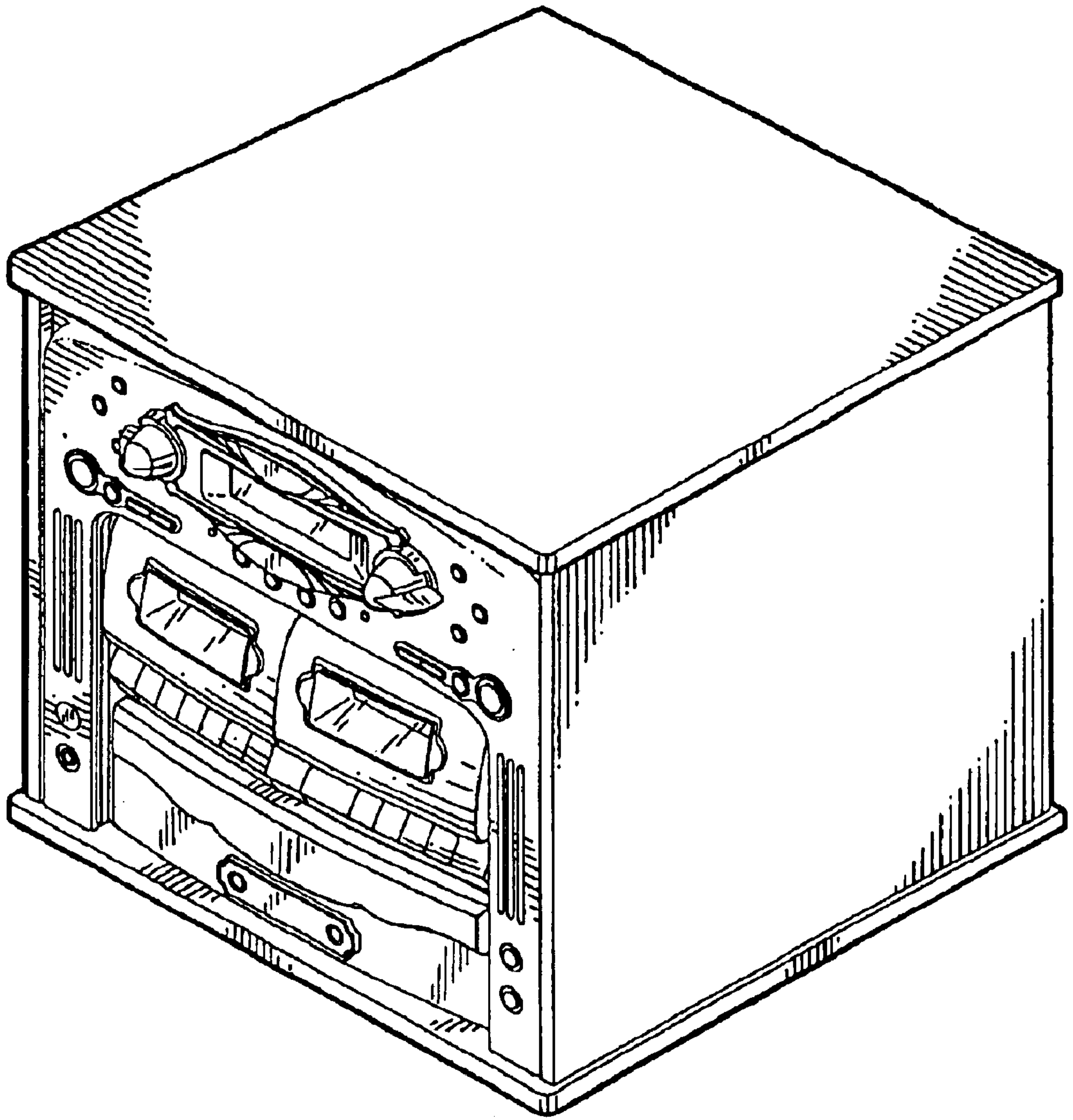


FIG. 7