



US00D490395S

(12) **United States Design Patent**
Taniguchi et al.

(10) **Patent No.:** **US D490,395 S**

(45) **Date of Patent:** **** May 25, 2004**

(54) **TELEPHONE**

(75) Inventors: **Eiichi Taniguchi**, Kawasaki (JP);
Tadamine Toh, Kawasaki (JP); **Satoki Mamizuka**, Yokosuka (JP)

(73) Assignee: **NEC Infrontia Corporation**, Kawasaki (JP)

(**) Term: **14 Years**

(21) Appl. No.: **29/178,261**

(22) Filed: **Mar. 24, 2003**

(51) **LOC (7) Cl.** **14-03**

(52) **U.S. Cl.** **D14/151**

(58) **Field of Search** D14/149-151,
D14/144, 243, 146, 130, 329, 330; 379/202.01,
420.01, 420.02, 420.03, 428.01, 428.02,
428.03, 419, 434, 436, 440

(56) **References Cited**

U.S. PATENT DOCUMENTS

D308,059 S * 5/1990 Desbarats D14/151

D375,497 S * 11/1996 Kuwajima D14/151
D390,561 S * 2/1998 Schappler et al. D14/149
D448,011 S * 9/2001 Danner et al. D14/151

* cited by examiner

Primary Examiner—Janice E. Seeger

(74) *Attorney, Agent, or Firm*—Frishauf, Holtz, Goodman & Chick, P.C.

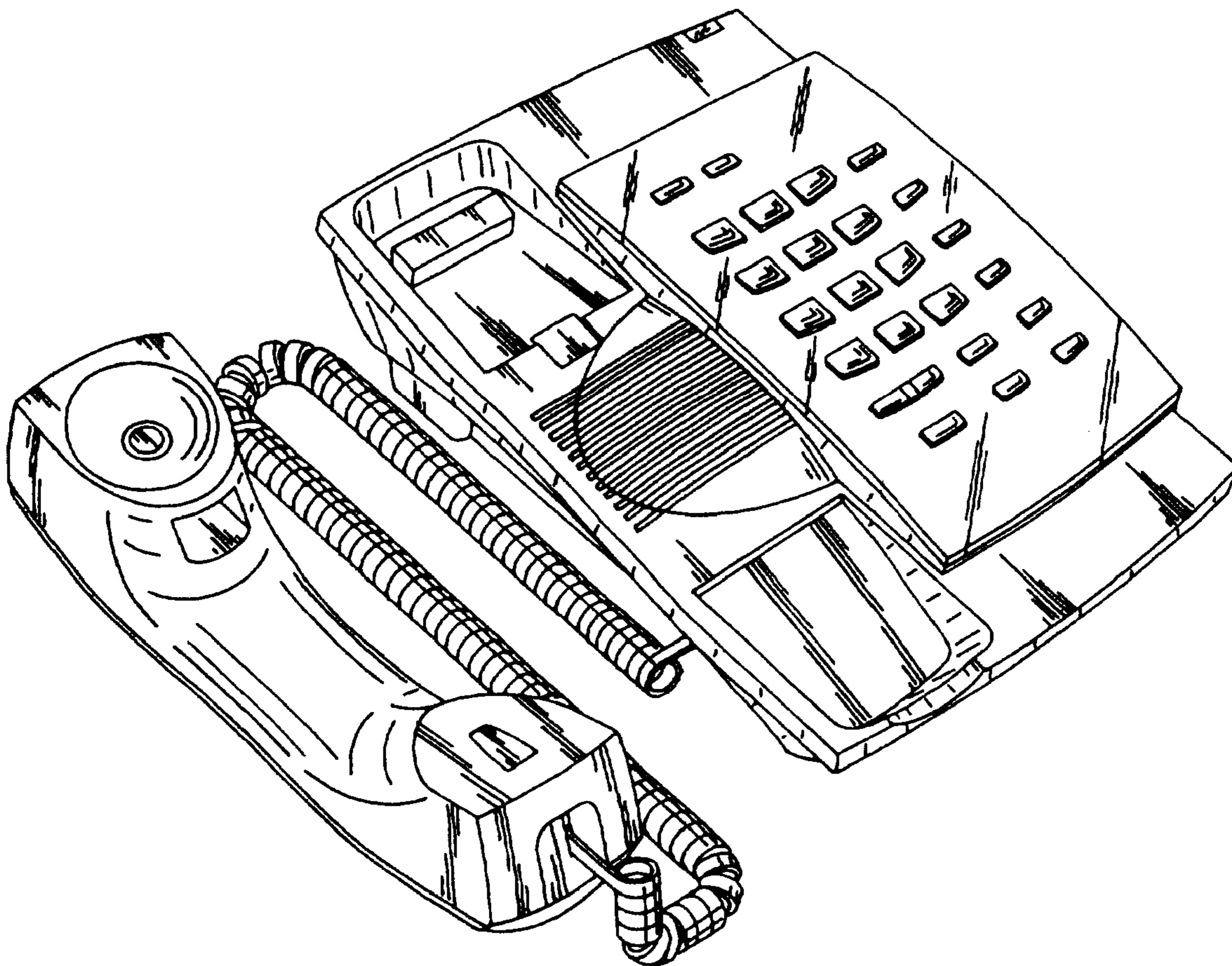
(57) **CLAIM**

The ornamental design for telephone, as shown.

DESCRIPTION

FIG. 1 is a bottom, front, left side perspective view of a telephone showing our new design; FIG. 2 is a front elevational view thereof; FIG. 3 is a rear elevational view thereof; FIG. 4 is a left side view thereof; FIG. 5 is a right side view thereof; FIG. 6 is a top plan view thereof; and, FIG. 7 is a bottom plan view thereof.

1 Claim, 7 Drawing Sheets



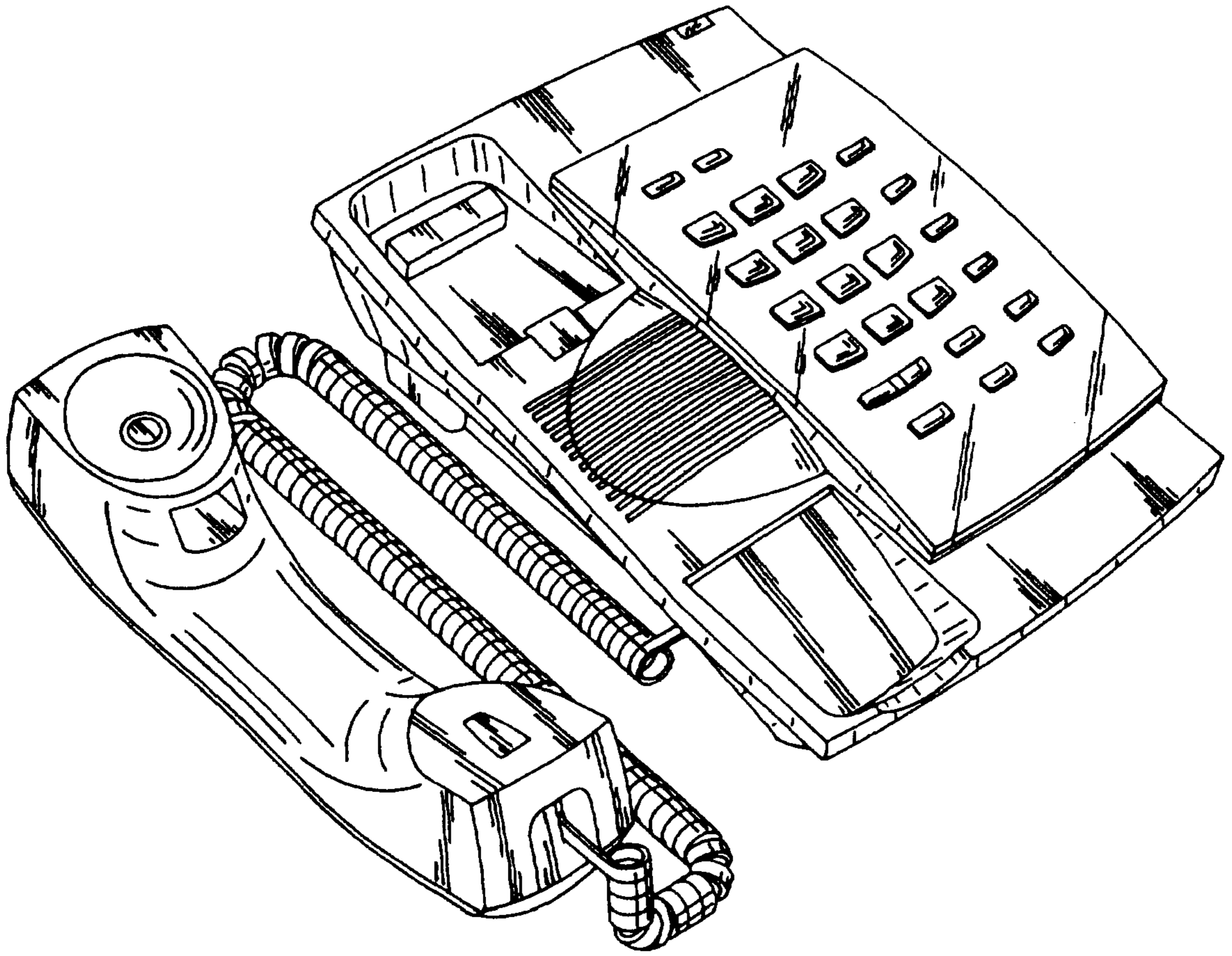


FIG. 1

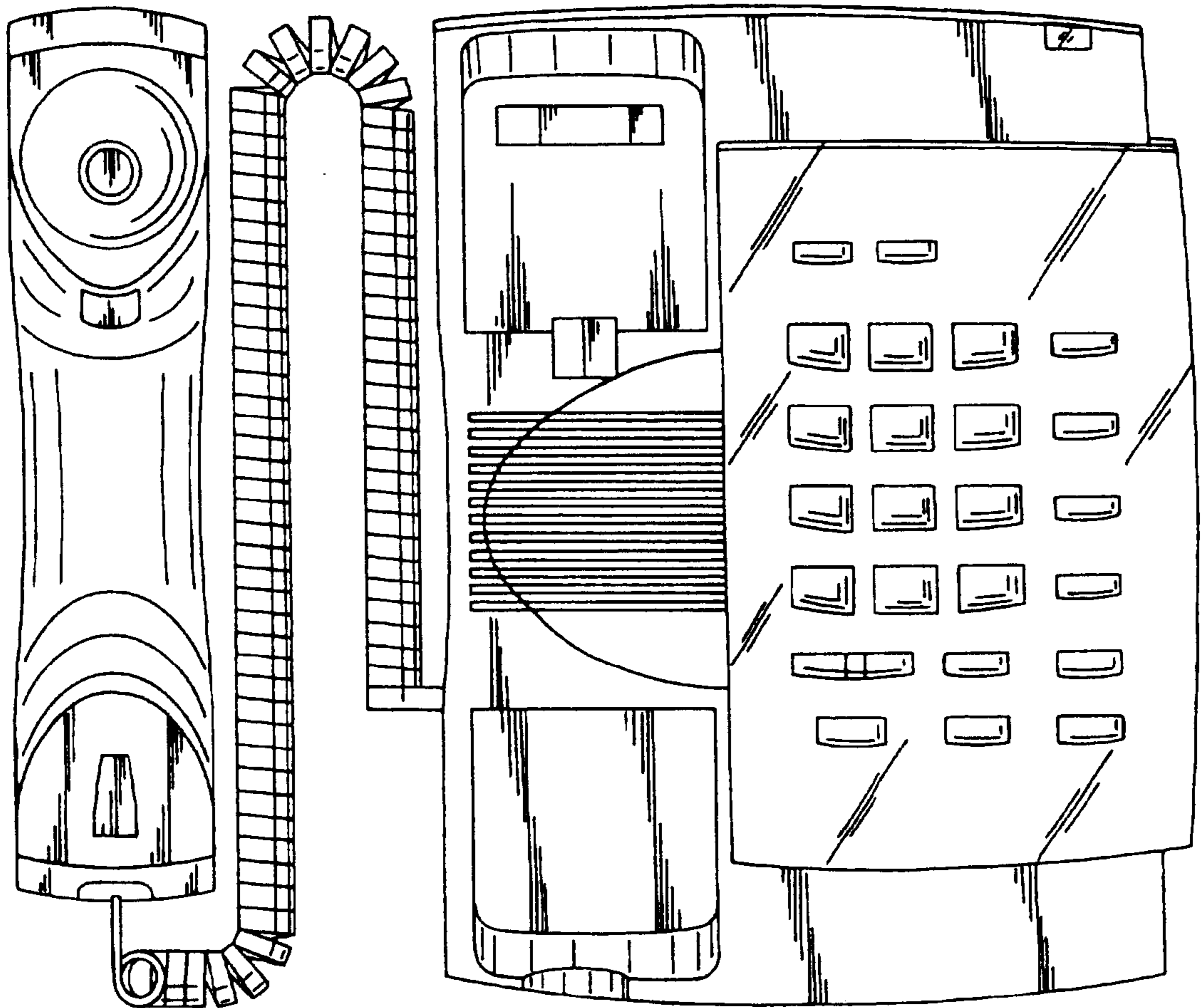


FIG. 2

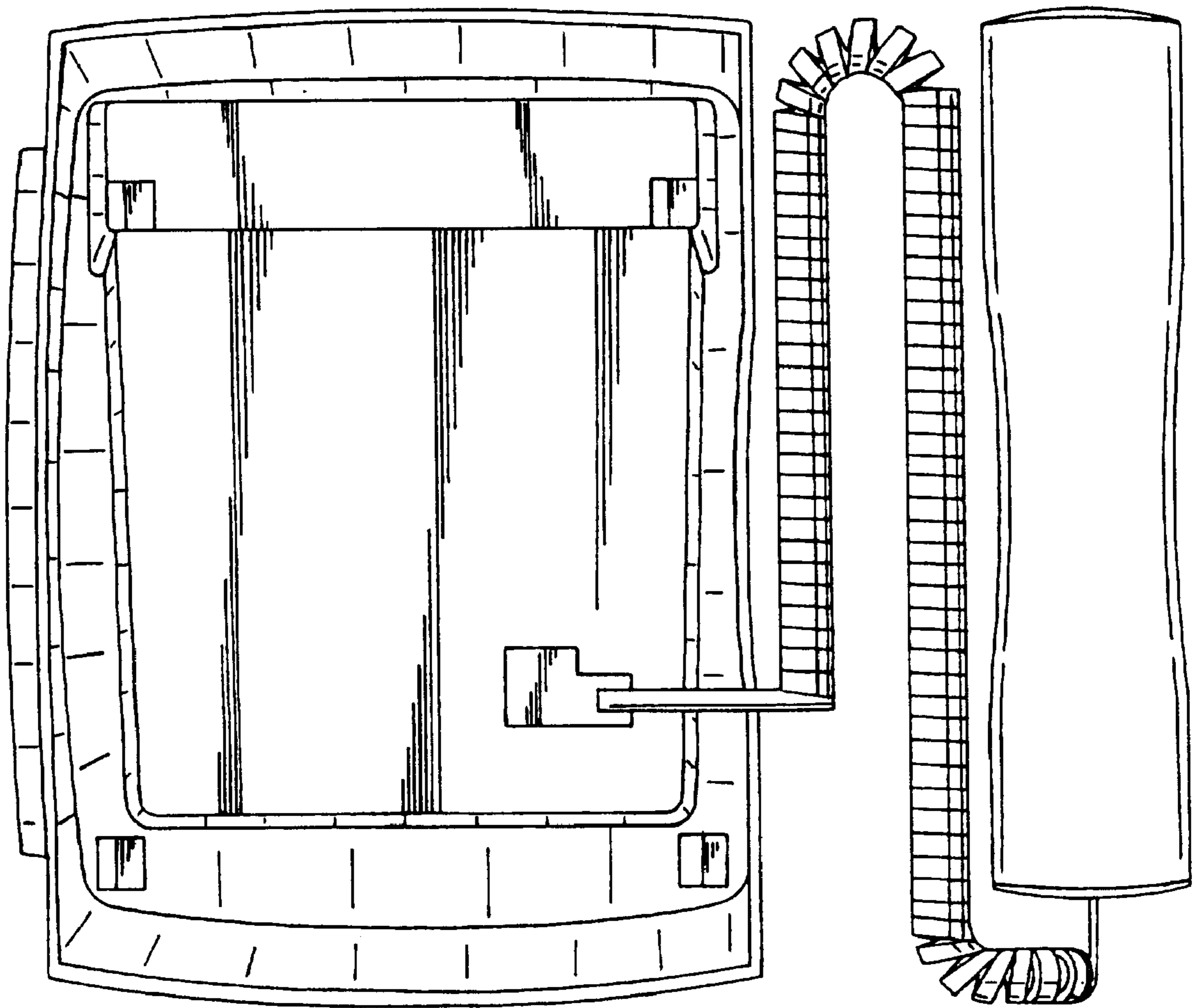


FIG. 3

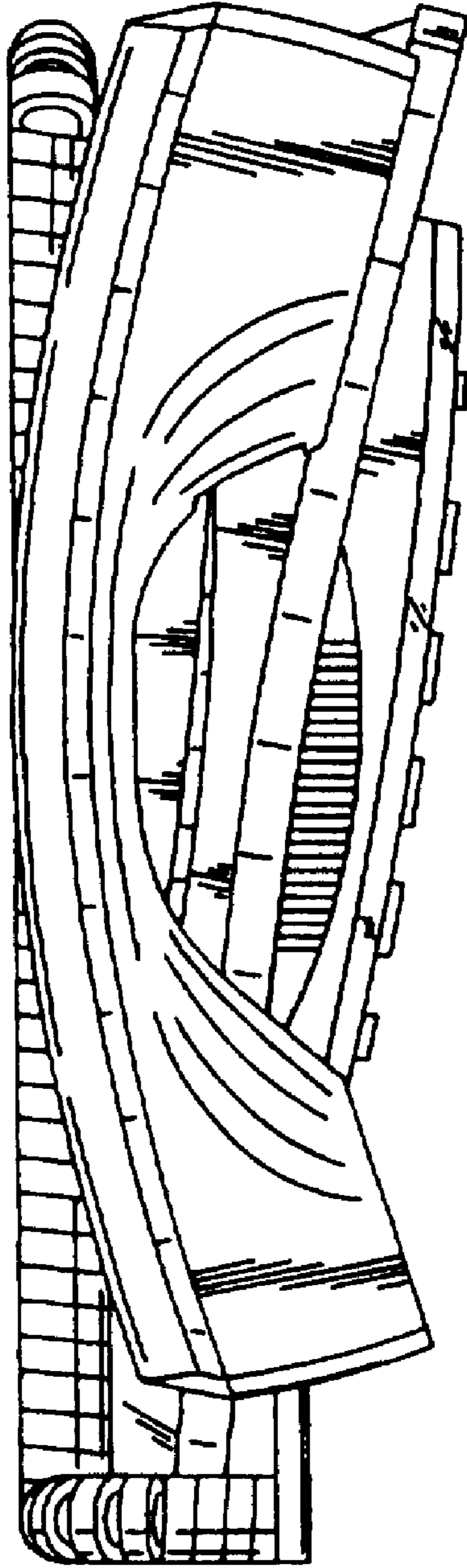


FIG. 4

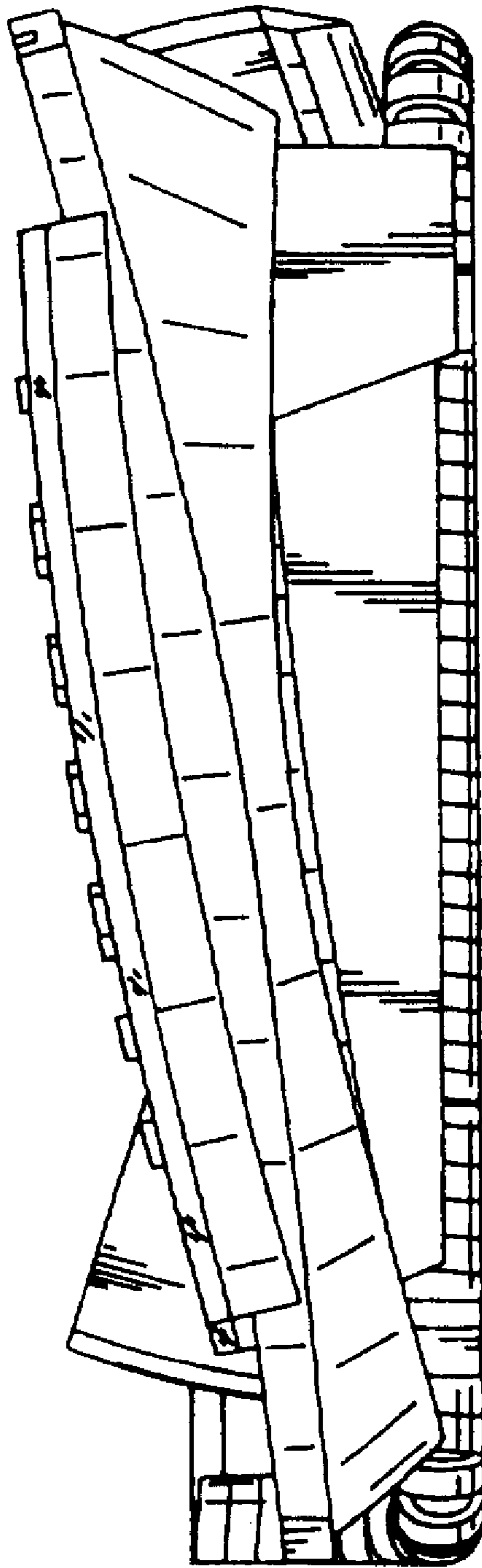


FIG. 5

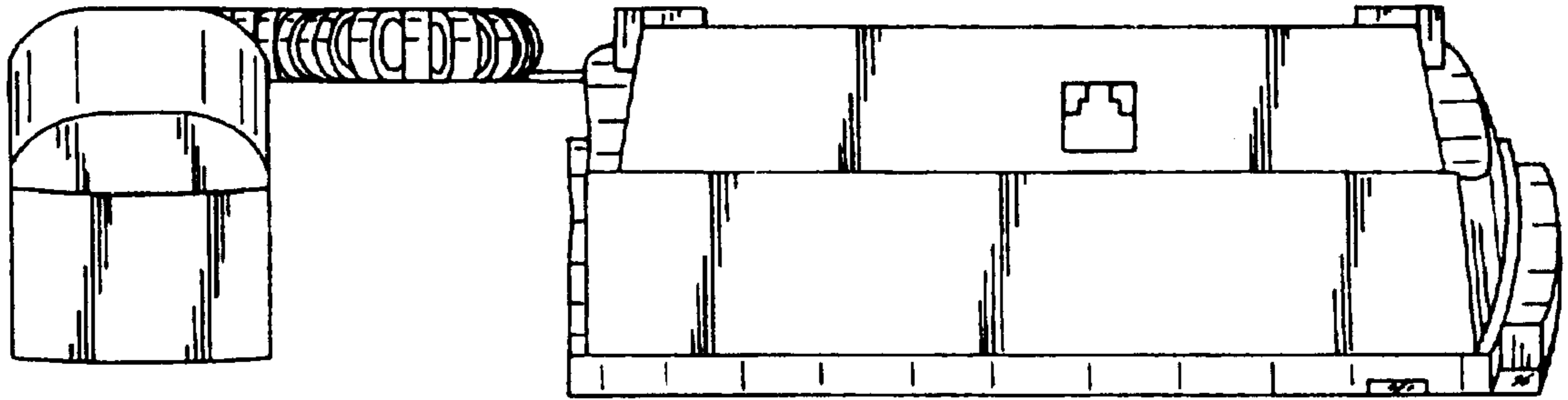


FIG. 6

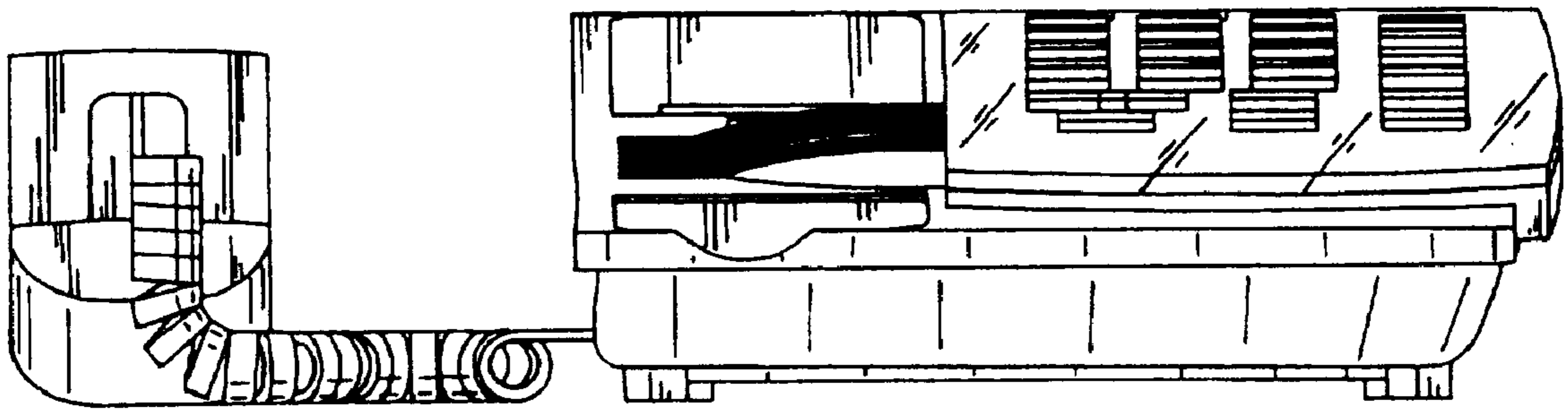


FIG. 7