



US00D490392S

(12) **United States Design Patent**
Watanabe

(10) **Patent No.:** **US D490,392 S**

(45) **Date of Patent:** **** May 25, 2004**

(54) **CELL PHONE**

(75) **Inventor:** **Takayuki Watanabe, Tokyo (JP)**

(73) **Assignee:** **Matsushita Electric Works, Ltd. (JP)**

(**) **Term:** **14 Years**

(21) **Appl. No.:** **29/182,554**

(22) **Filed:** **May 28, 2003**

(51) **LOC (7) Cl.** **14-03**

(52) **U.S. Cl.** **D14/138**

(58) **Field of Search** D14/137, 138,
D14/218, 147-149, 247-249, 144, 240,
242, 341-347, 399, 426, 387, 429, 453,
197, 198, 189, 192, 193, 157, 194, 195,
196, 158; 379/433.01-433.13, 434, 419,
420.01-420.04, 428.01-428.02, 440; 455/550.01-90.3;
D13/168; D18/2, 7; D21/517, 329, 331,
333; D10/104, 106, 65; 381/86

(56) **References Cited**

U.S. PATENT DOCUMENTS

D282,738 S	*	2/1986	Nichols	D14/138
D289,288 S	*	4/1987	Muenschler et al.	D14/138
D298,033 S	*	10/1988	Hotsumi et al.	D14/138
5,276,916 A	*	1/1994	Pawlish et al.	455/575
D361,997 S	*	9/1995	Roegner	D14/138
D375,739 S	*	11/1996	Boykiw	D14/147
5,574,772 A	*	11/1996	Scalisi et al.	455/565
D379,810 S	*	6/1997	Giordano, Jr. et al.	D14/138
D379,980 S	*	6/1997	Biskup et al.	D14/138
D382,555 S	*	8/1997	Biskup et al.	D14/138
D382,869 S	*	8/1997	Siddoway et al.	D14/137
D382,872 S	*	8/1997	Nagele et al.	D14/138
5,661,641 A	*	8/1997	Shindo	361/814
D383,127 S	*	9/1997	Giordano, Jr. et al.	D14/138
D384,059 S	*	9/1997	Hockenberry et al.	D14/137
5,677,949 A	*	10/1997	Macor	379/354
D401,233 S	*	11/1998	Yamaguchi	D14/138
5,857,157 A	*	1/1999	Shindo	455/551
D405,084 S	*	2/1999	Scalisi et al.	D14/191
D406,835 S	*	3/1999	Yamasaki	D14/138

D407,718 S	*	4/1999	Lee	D14/138
D413,117 S	*	8/1999	Chintala et al.	D14/138
D414,765 S	*	10/1999	Park	D14/138
D419,550 S	*	1/2000	Caroen et al.	D14/138
D421,006 S	*	2/2000	Shindo et al.	D14/147
6,148,080 A	*	11/2000	Collin	379/433.02
D434,740 S	*	12/2000	Son et al.	D14/138
D435,528 S	*	12/2000	Hunt	D14/138
D440,546 S	*	4/2001	Isonaga	D14/147
D440,954 S	*	4/2001	Boling et al.	D14/138
D446,780 S	*	8/2001	Sedan et al.	D14/137
D447,468 S	*	9/2001	Nakahara et al.	D14/138
6,580,908 B1	*	6/2003	Kroll et al.	455/435.1
D480,695 S	*	10/2003	Cebe et al.	D14/137
2001/0008839 A1	*	7/2001	Cho	455/575.7

* cited by examiner

Primary Examiner—Jeffrey Asch

(74) *Attorney, Agent, or Firm*—Rosenthal & Osha L.L.P.

(57) **CLAIM**

The ornamental design for a cell phone, as shown and described.

DESCRIPTION

FIG. 1 shows a front view of the design according to an embodiment of the invention.

FIG. 2 shows a side view of the design according to an embodiment of the invention.

FIG. 3 shows a side view of the design according to an embodiment of the invention.

FIG. 4 shows a top view of the design according to an embodiment of the invention.

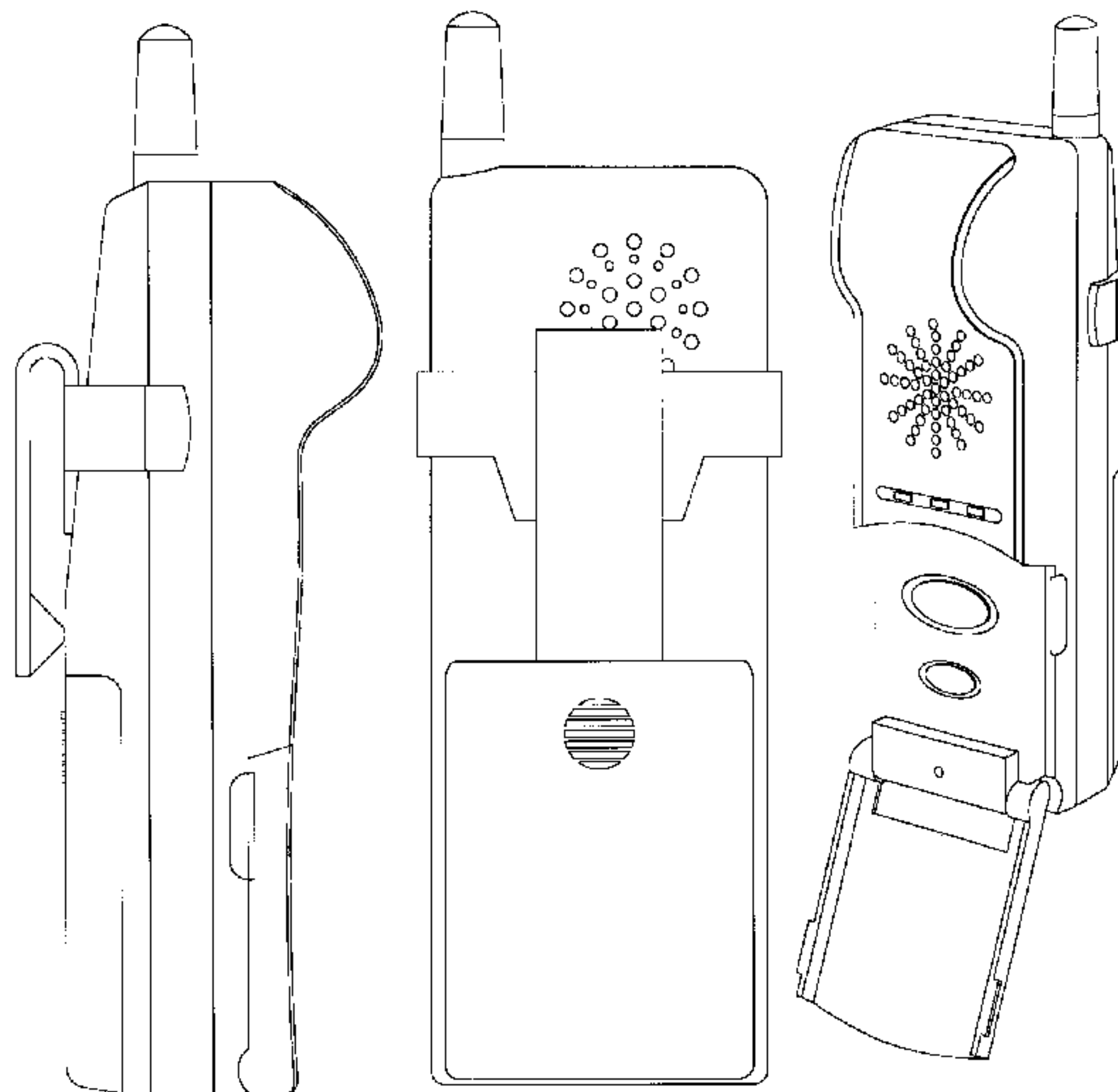
FIG. 5 shows a bottom view of the design according to an embodiment of the invention.

FIG. 6 shows a back view of the design according to an embodiment of the invention.

FIG. 7 shows a perspective view of the design according to an embodiment of the invention; and,

FIG. 8 shows an open perspective view of the design according to an embodiment of the invention.

1 Claim, 8 Drawing Sheets



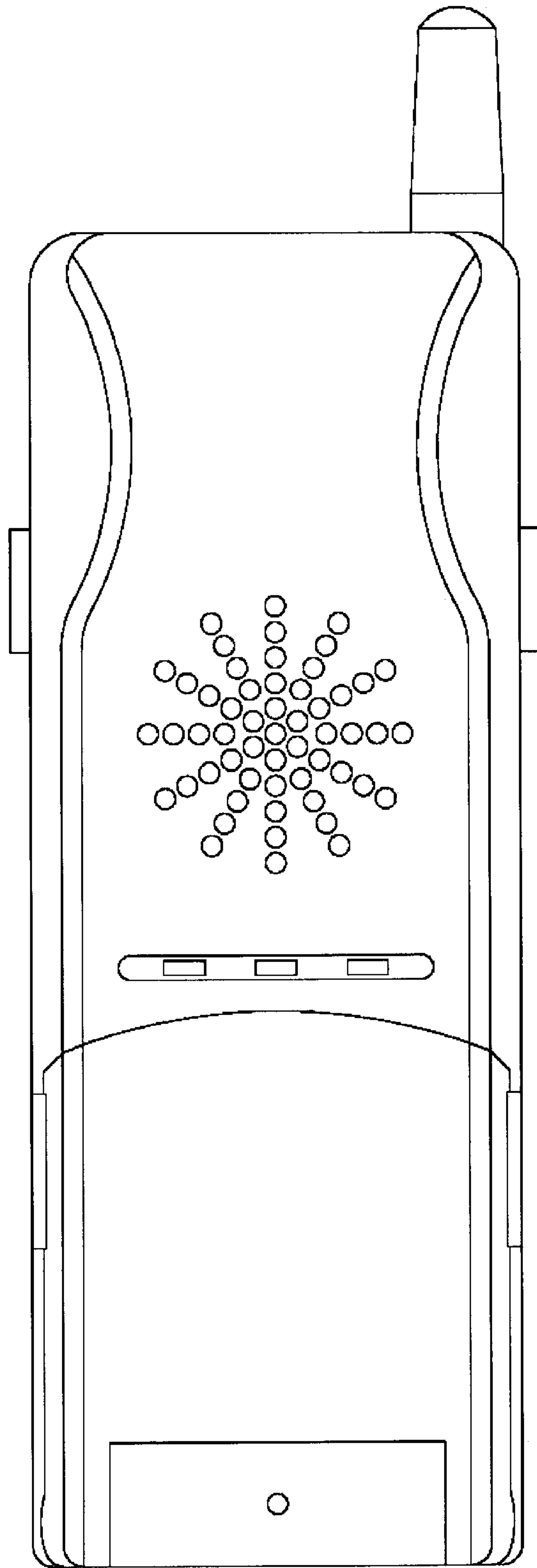


FIG. 1

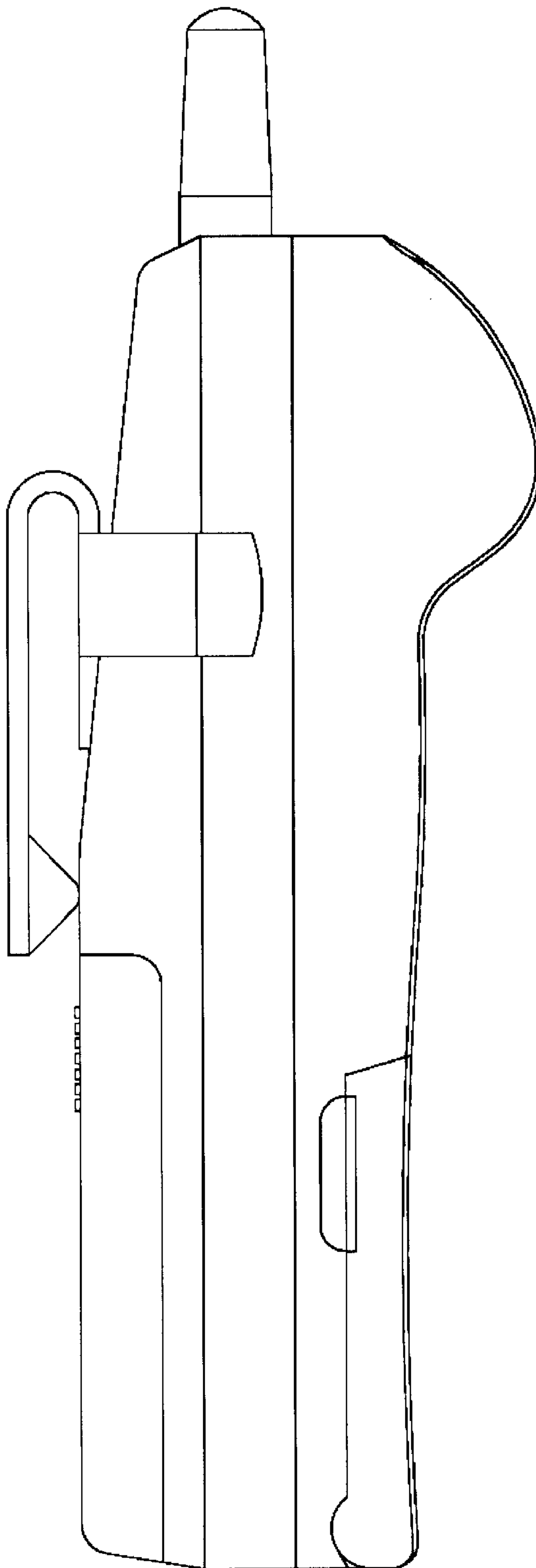


FIG. 2

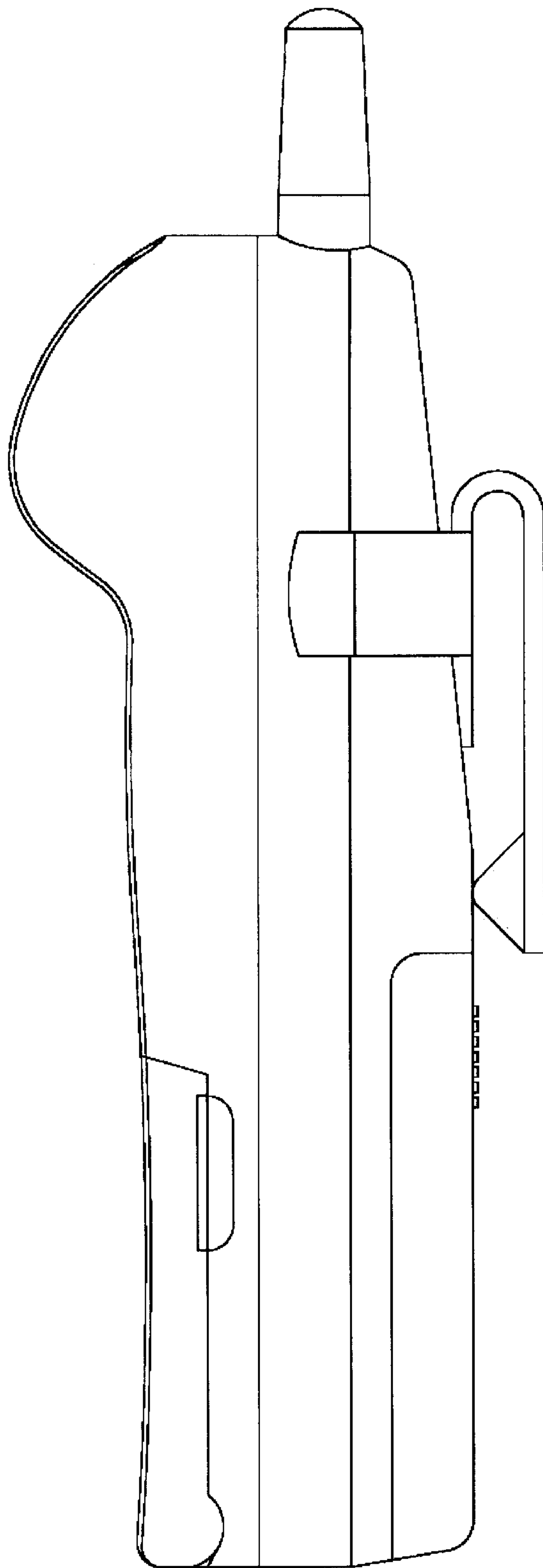


FIG. 3

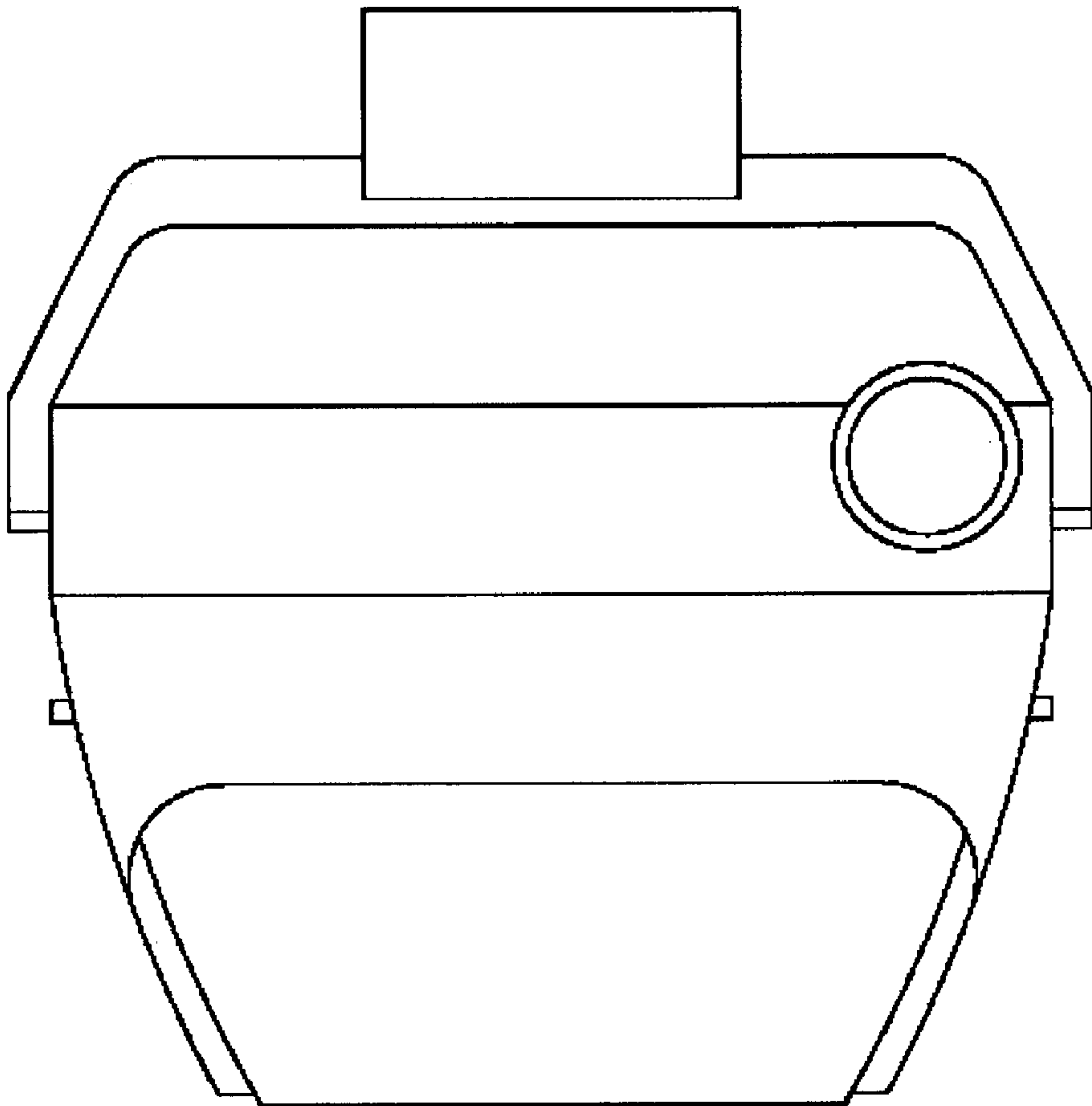


FIG. 4

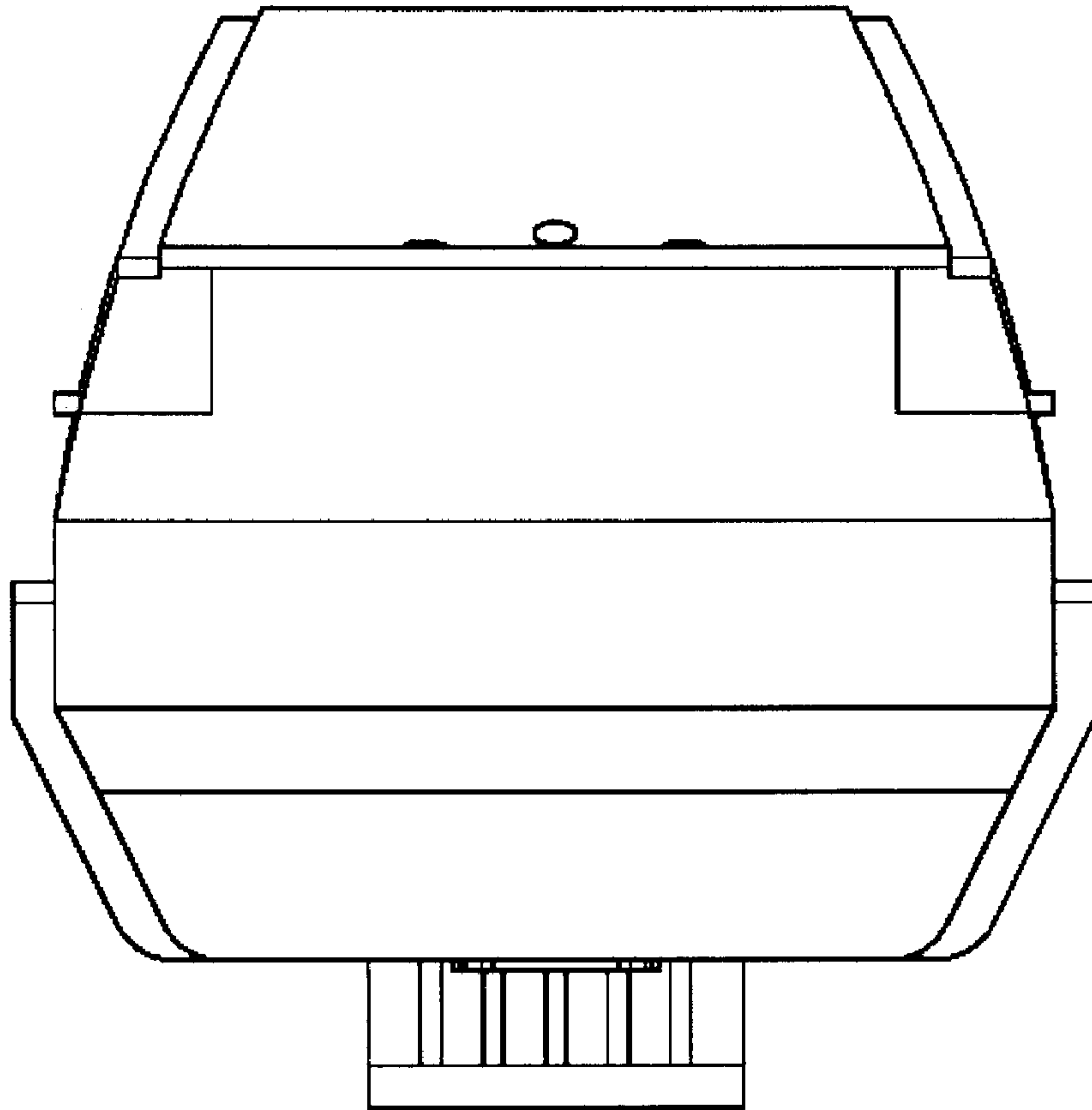


FIG. 5

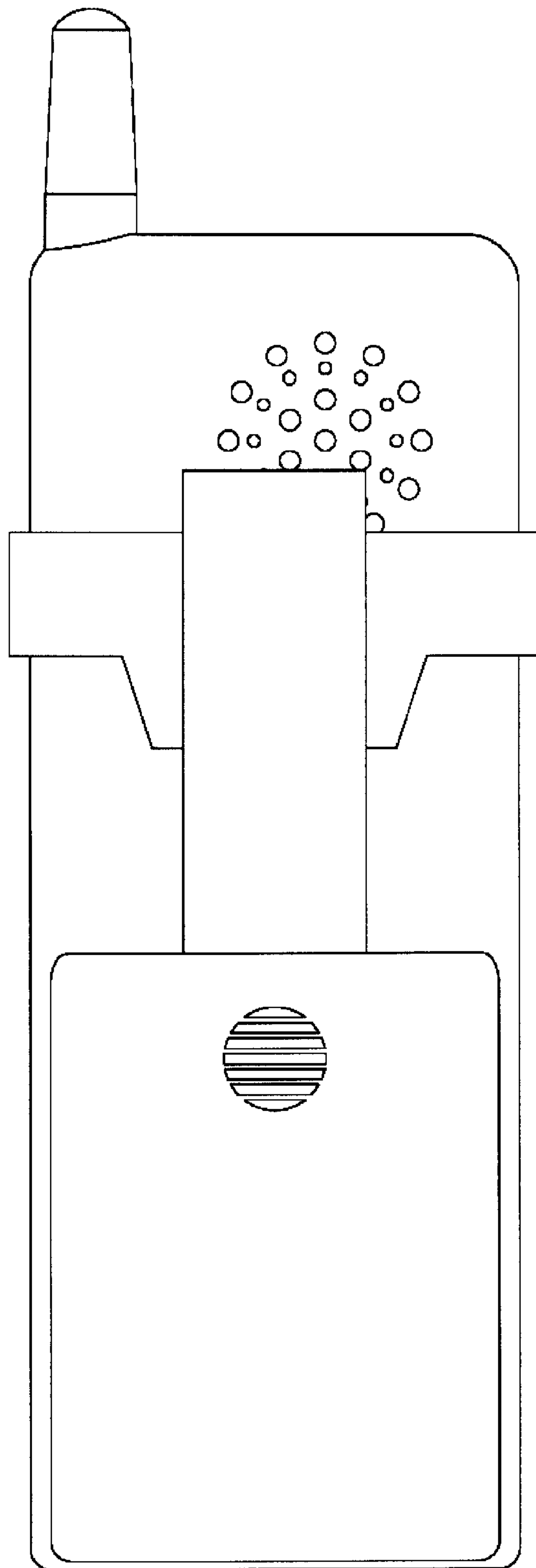


FIG. 6

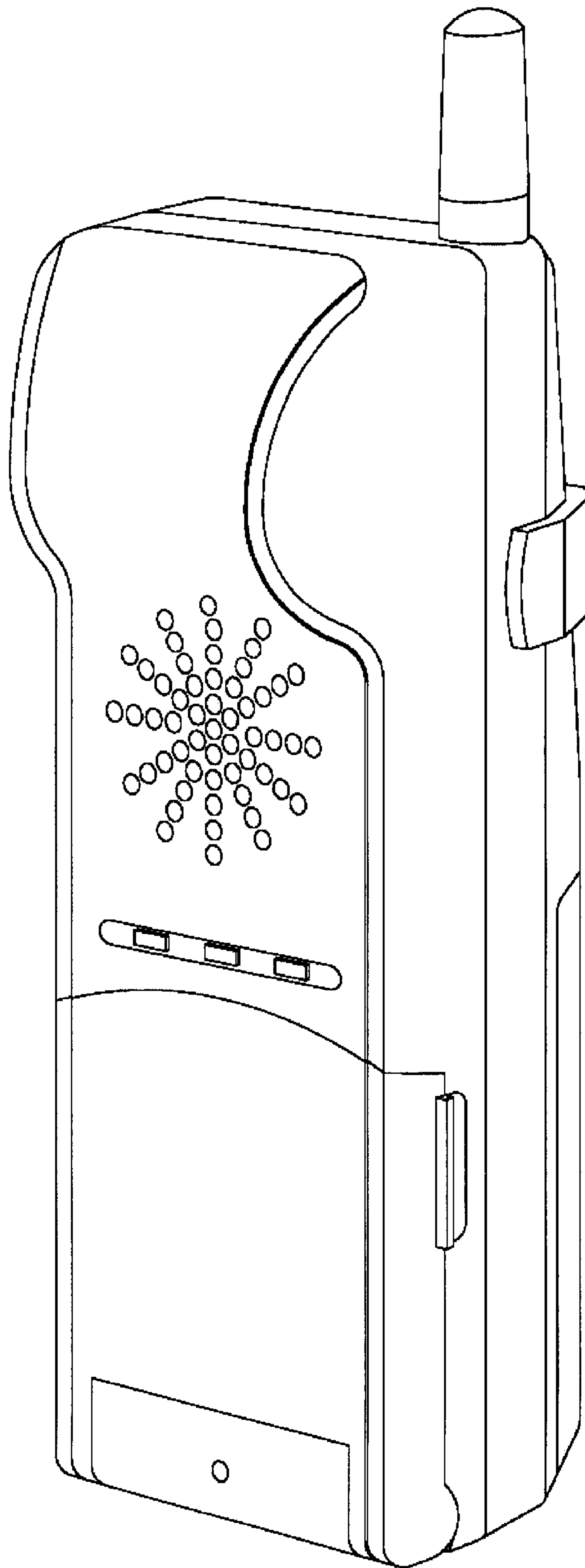


FIG. 7

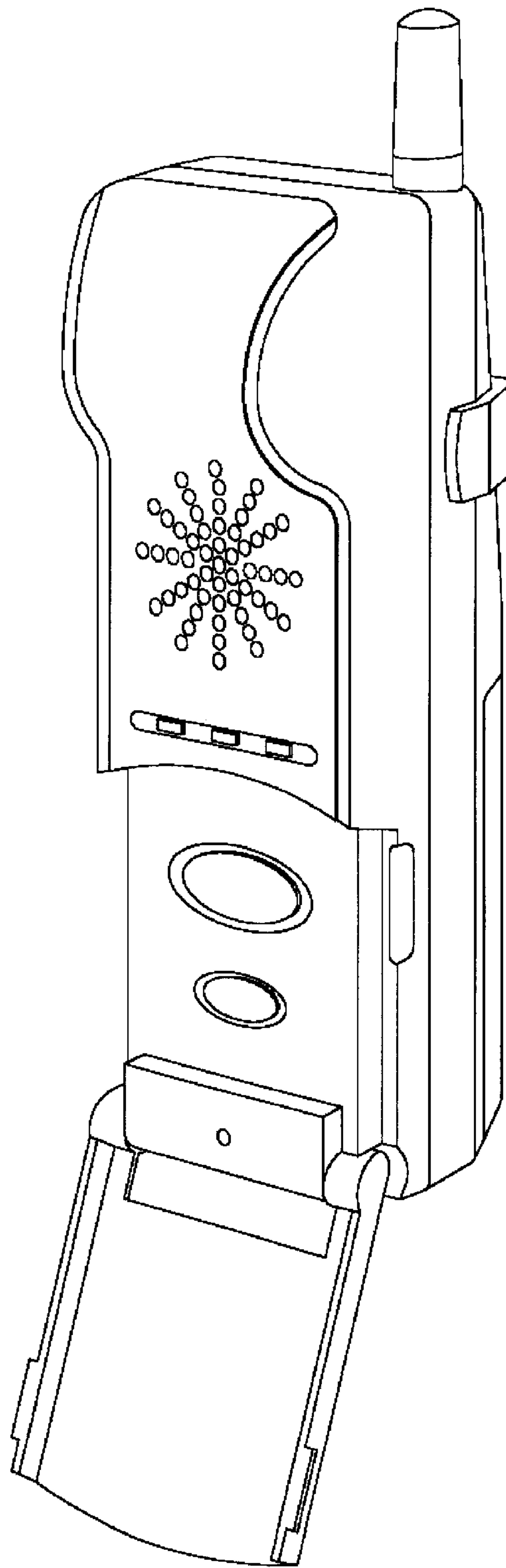


FIG. 8