



US00D490386S

(12) **United States Design Patent**  
**Ishida**

(10) **Patent No.:** **US D490,386 S**

(45) **Date of Patent:** **\*\* May 25, 2004**

(54) **LIGHT EMITTING DIODE**

(75) Inventor: **Masashi Ishida**, Naka-gun (JP)

(73) Assignee: **Nichia Corporation**, Anan (JP)

(\*\*) Term: **14 Years**

(21) Appl. No.: **29/183,018**

(22) Filed: **Jun. 5, 2003**

(51) **LOC (7) Cl.** ..... **13-03**

(52) **U.S. Cl.** ..... **D13/180**

(58) **Field of Search** ..... D13/180, 182;  
D10/104, 114; 257/88, 89, 93-96, 98, 99,  
678, 687; 313/498, 499, 555, 800; 361/820;  
362/152, 226, 241, 249, 250, 800; 372/45;  
439/353, 620

(56) **References Cited**

**U.S. PATENT DOCUMENTS**

4,580,859 A \* 4/1986 Frano et al. .... 439/353  
5,475,241 A \* 12/1995 Harrah et al. .... 257/99  
D453,745 S \* 2/2002 Suenaga ..... D13/180  
D478,877 S \* 8/2003 Hoshiba ..... D13/182  
D482,337 S \* 11/2003 Kamada ..... D13/182

**FOREIGN PATENT DOCUMENTS**

JP D984224-1 S 10/1997  
JP D1077515 S 7/2000  
JP D1170087 S 4/2003  
JP D1170881 S 4/2003

JP D1171195 S 4/2003  
JP D1171196 S 4/2003  
JP D1171709 S 4/2003  
JP D1171710 S 4/2003  
KR 30-0294490 S 3/2002  
KR 30-0294490-1 S 3/2002

\* cited by examiner

*Primary Examiner*—Philip S. Hyder  
*Assistant Examiner*—Selina A Sikder  
(74) *Attorney, Agent, or Firm*—Smith Patent Office

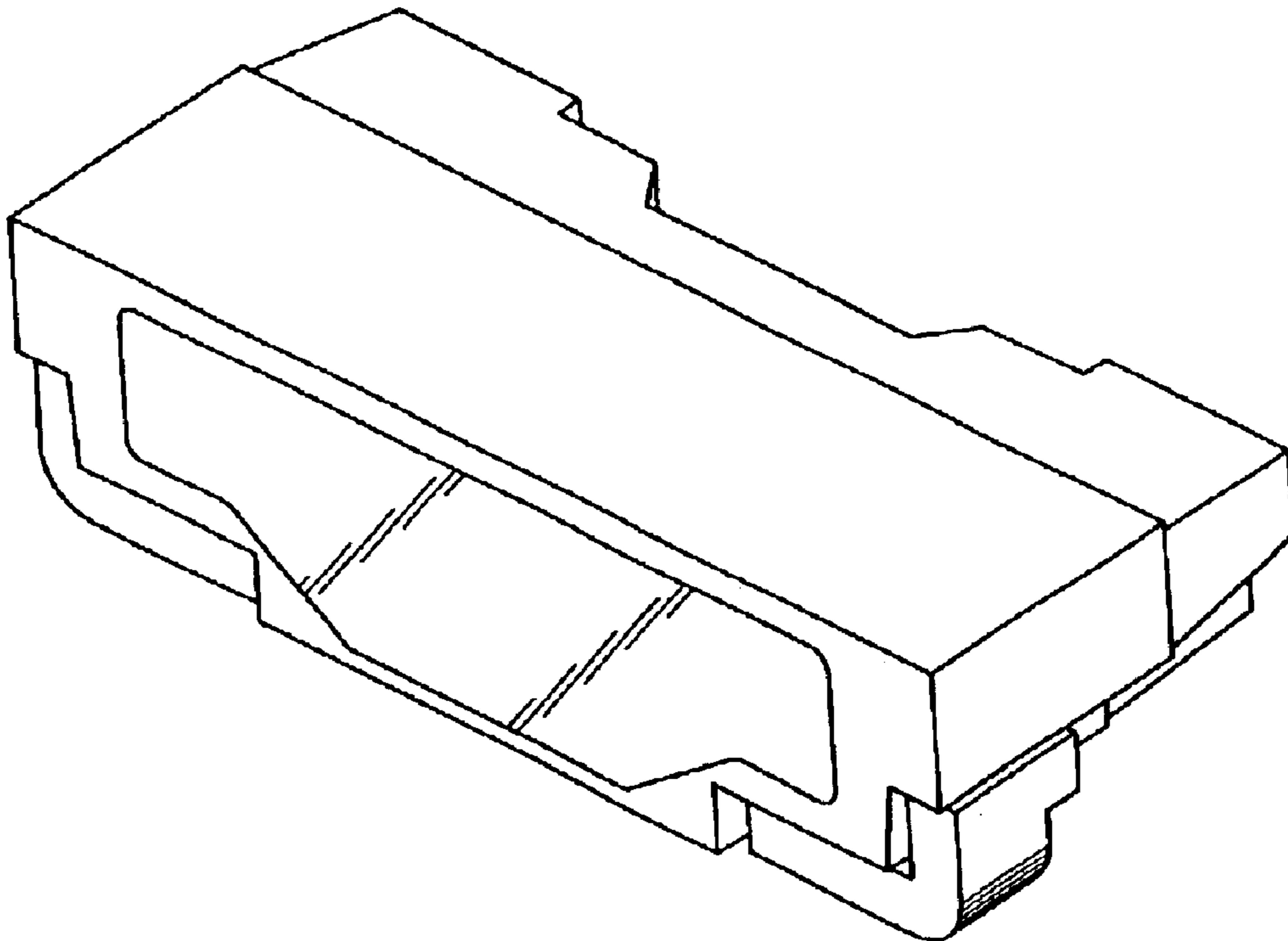
(57) **CLAIM**

I claim the ornamental design for a light emitting diode, as shown and described.

**DESCRIPTION**

FIG. 1 is a perspective view of a light emitting diode showing my new design;  
FIG. 2 is a plan view of the light emitting diode according to FIG. 1;  
FIG. 3 is a left view of the light emitting diode according to FIG. 1;  
FIG. 4 is a front elevational view of the light emitting diode according to FIG. 1;  
FIG. 5 is a right view of the light emitting diode according to FIG. 1;  
FIG. 6 is a bottom plan of the light emitting diode according to FIG. 1; and,  
FIG. 7 is a rear elevational view of the light emitting diode according to FIG. 1.

**1 Claim, 2 Drawing Sheets**



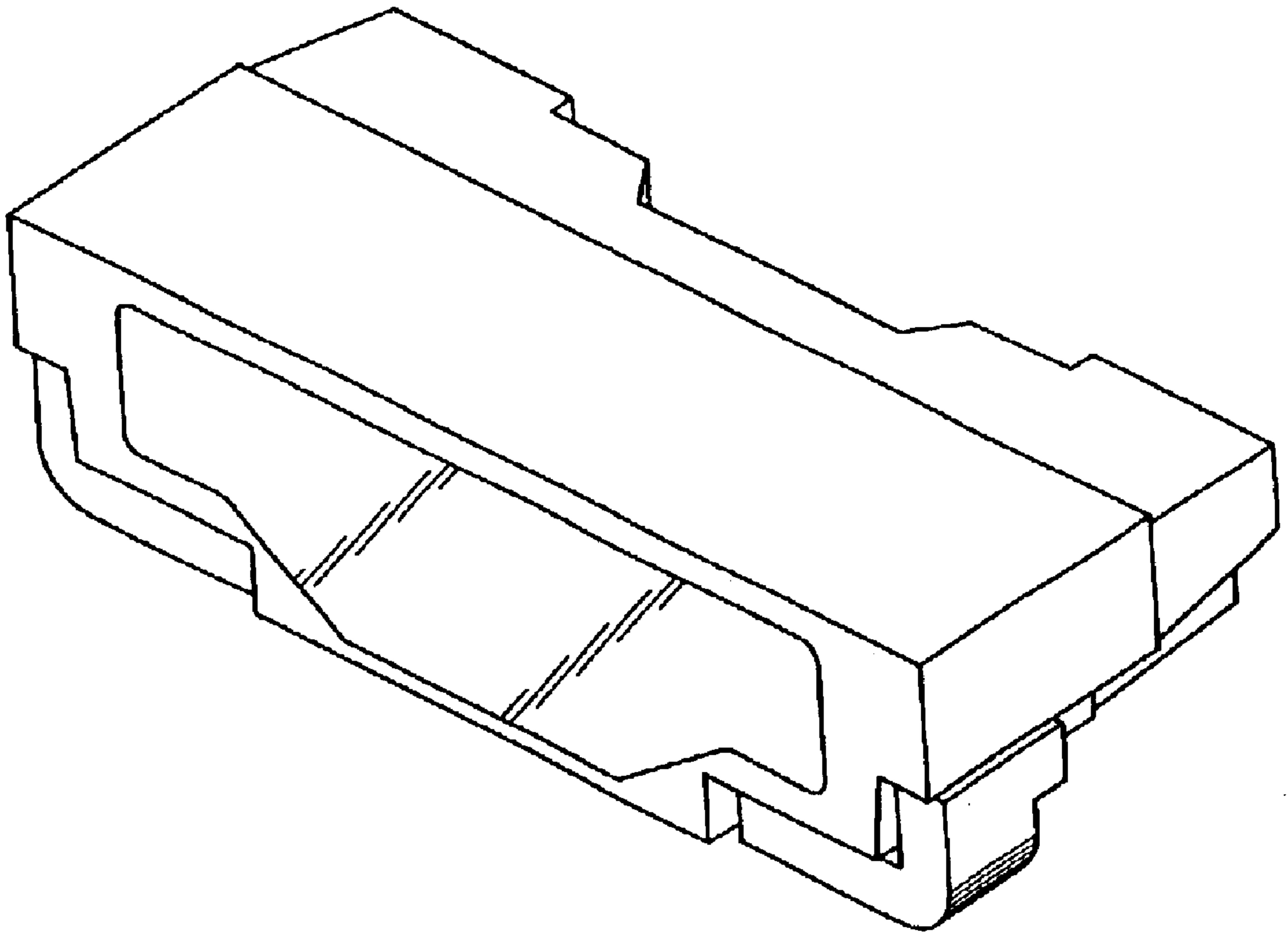


FIG. 1

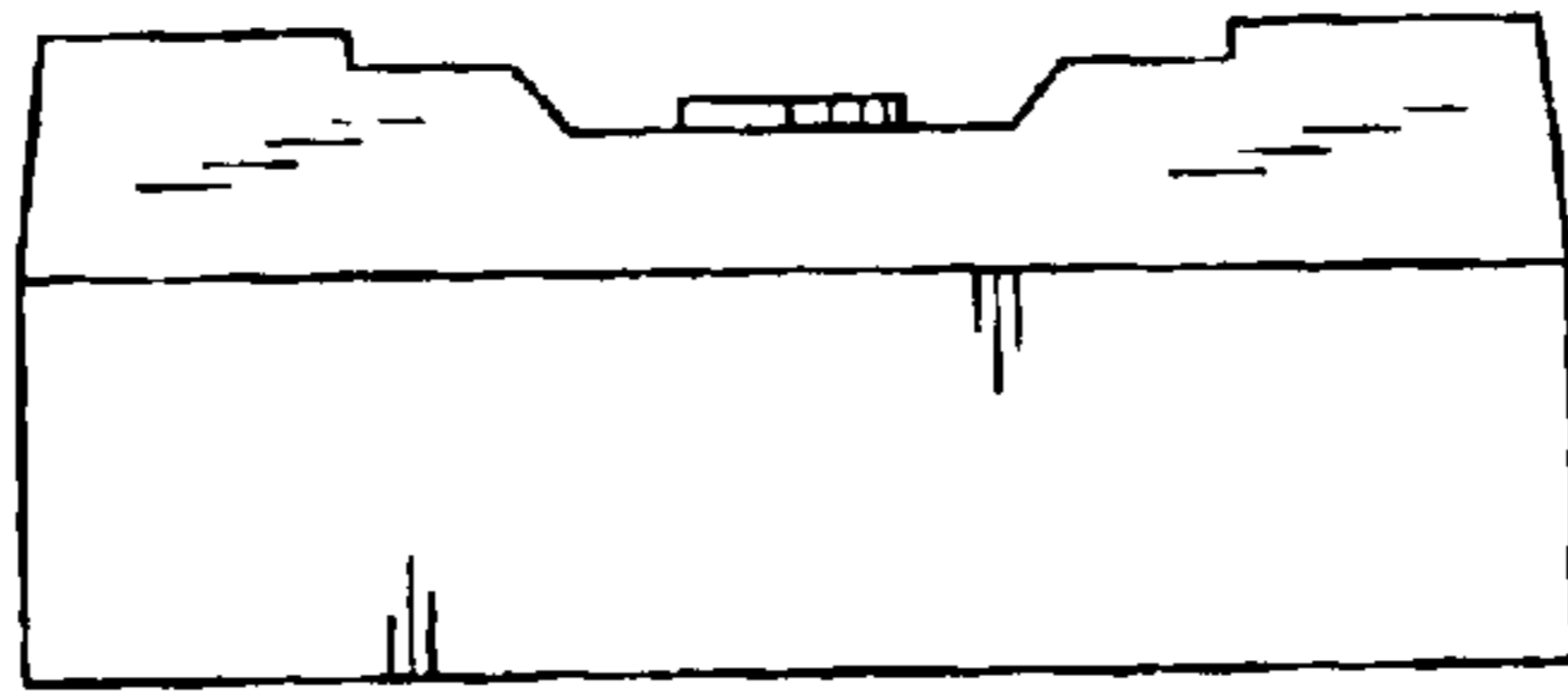


FIG. 2

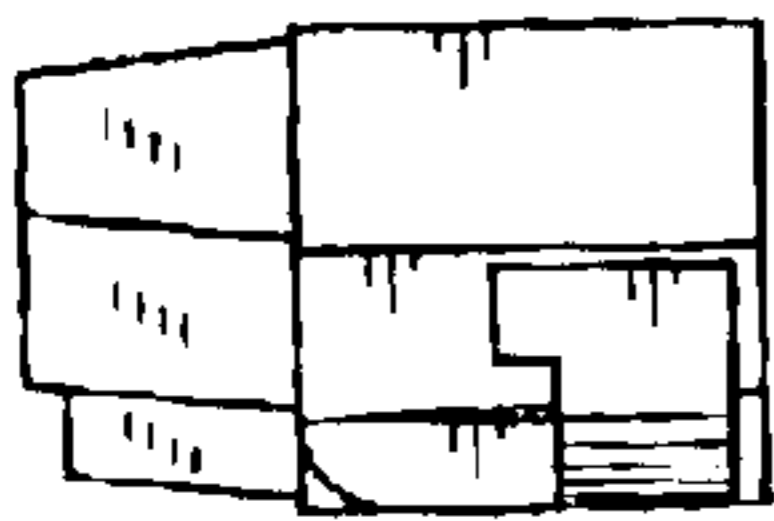


FIG. 3

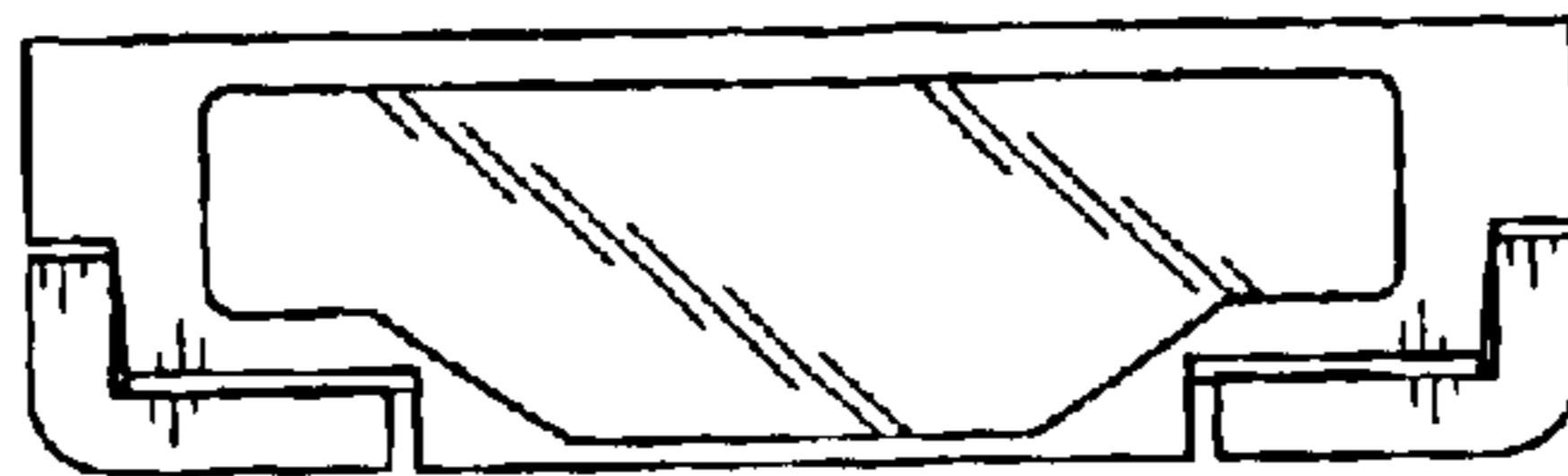


FIG. 4

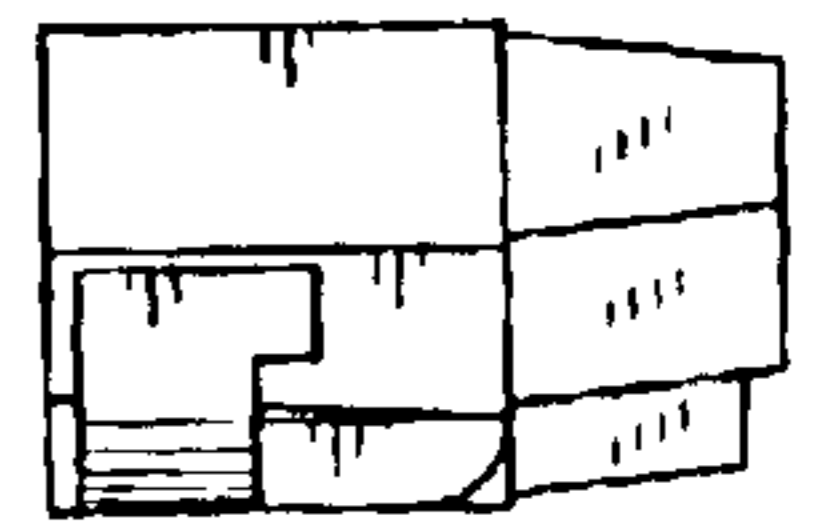


FIG. 5

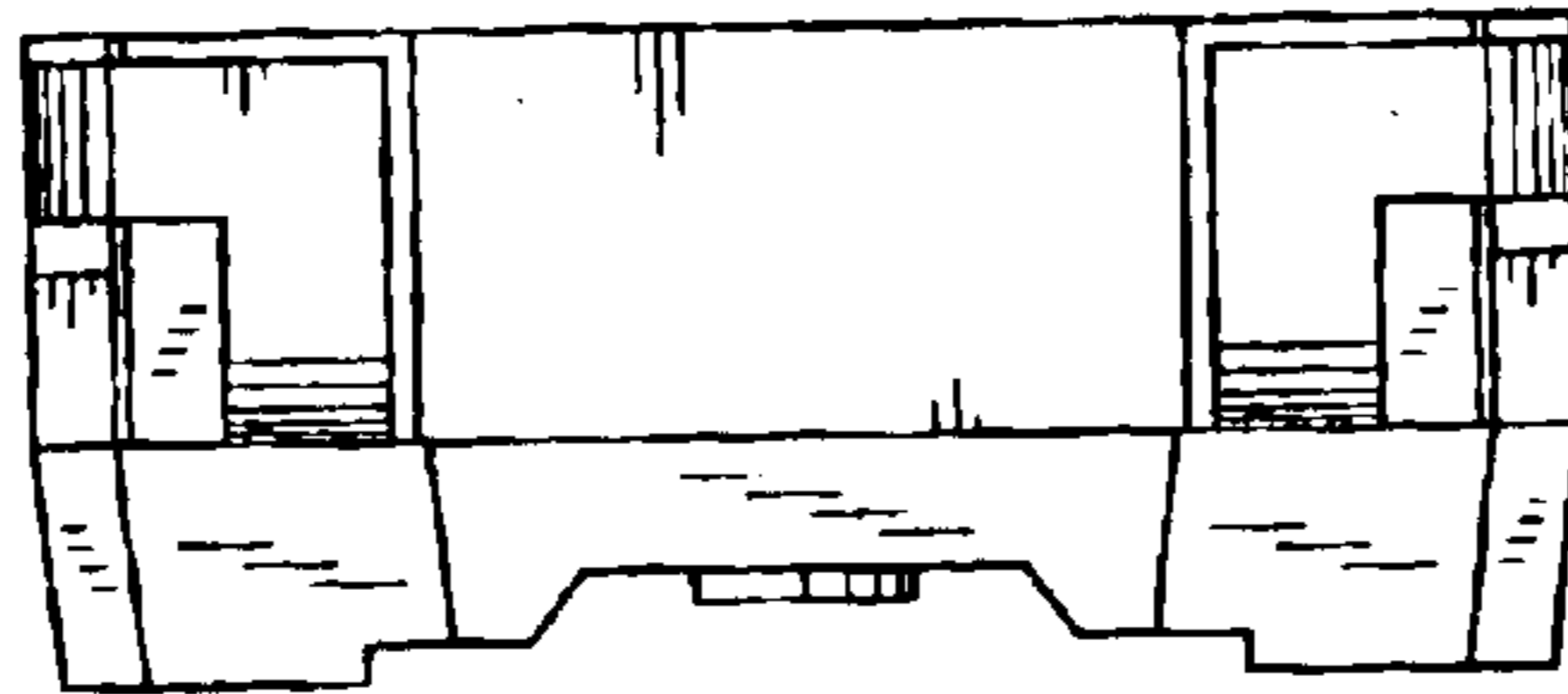


FIG. 6

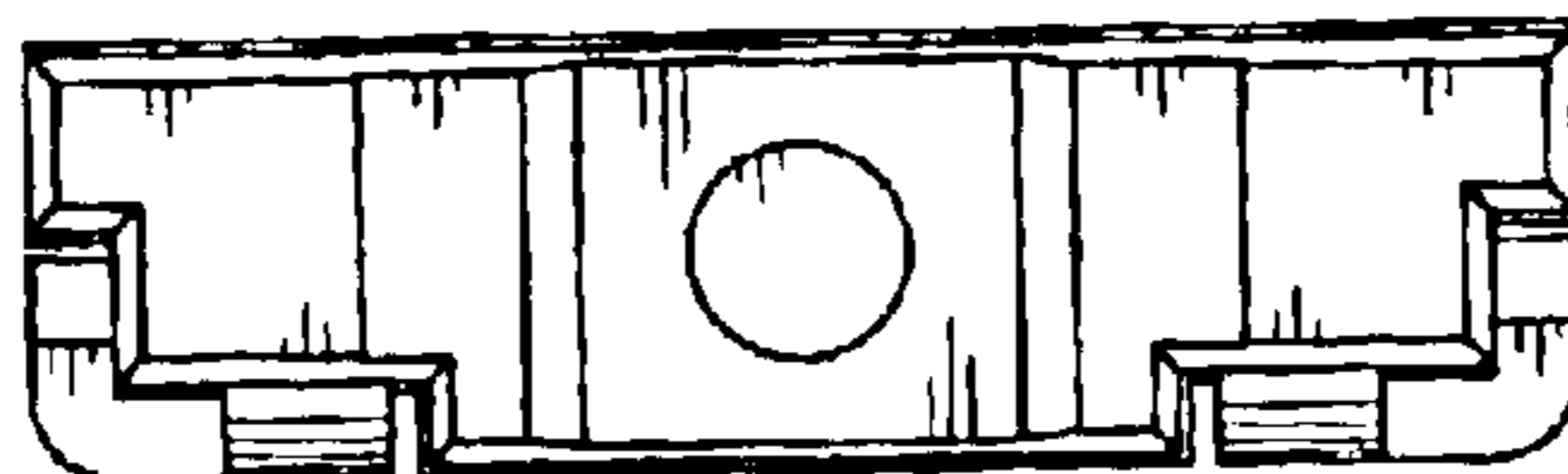


FIG. 7