



US00D490379S

(12) **United States Design Patent**  
**Wong**

(10) **Patent No.:** **US D490,379 S**

(45) **Date of Patent:** **\*\* May 25, 2004**

(54) **ROTARY STEPPING SWITCH**

D469,411 S \* 1/2003 Decosse ..... D13/174

(76) Inventor: **Bun Wong**, 7th Floor, Block 2, Leader Industrial Centre, 188-202 Texaco Rd., Tsuen Wan, New Territories (HK)

\* cited by examiner

(\*\*) Term: **14 Years**

*Primary Examiner*—Philip S. Hyder

*Assistant Examiner*—Selina Sikder

(74) *Attorney, Agent, or Firm*—Leydig, Voit & Mayer, Ltd.

(21) Appl. No.: **29/169,419**

(57) **CLAIM**

(22) Filed: **Oct. 21, 2002**

The ornamental design for a rotary stepping switch, as shown and described.

(51) **LOC (7) Cl.** ..... **13-03**

**DESCRIPTION**

(52) **U.S. Cl.** ..... **D13/158**

(58) **Field of Search** ..... D13/158, 169, D13/174; 73/488, 553; 200/1 R, 11 A, 11 DA, 51.15, 19.03, 19.18, 179, 331

FIG. 1 is a front, right side and top perspective view of a rotary stepping switch showing my new design;

FIG. 2 is a rear, right side and bottom perspective view thereof;

FIG. 3 is a front elevational view thereof;

FIG. 4 is a rear elevational view thereof;

FIG. 5 is a left side elevational view thereof;

FIG. 6 is a right side elevational view thereof;

FIG. 7 is a top plan view thereof; and,

FIG. 8 is a bottom plan view thereof.

(56) **References Cited**

**U.S. PATENT DOCUMENTS**

- 4,158,114 A \* 6/1979 Butler et al. .... 200/1 R
- 4,581,500 A \* 4/1986 Henderson et al. .... 200/11 DA
- 5,252,794 A \* 10/1993 Tseng ..... 200/51.15
- 5,278,366 A \* 1/1994 Fleischhauer ..... 200/51.15
- 5,735,179 A \* 4/1998 Edwards, Jr. et al. .... 74/553
- 6,198,057 B1 \* 3/2001 Sato et al. .... 200/19.18

**1 Claim, 4 Drawing Sheets**

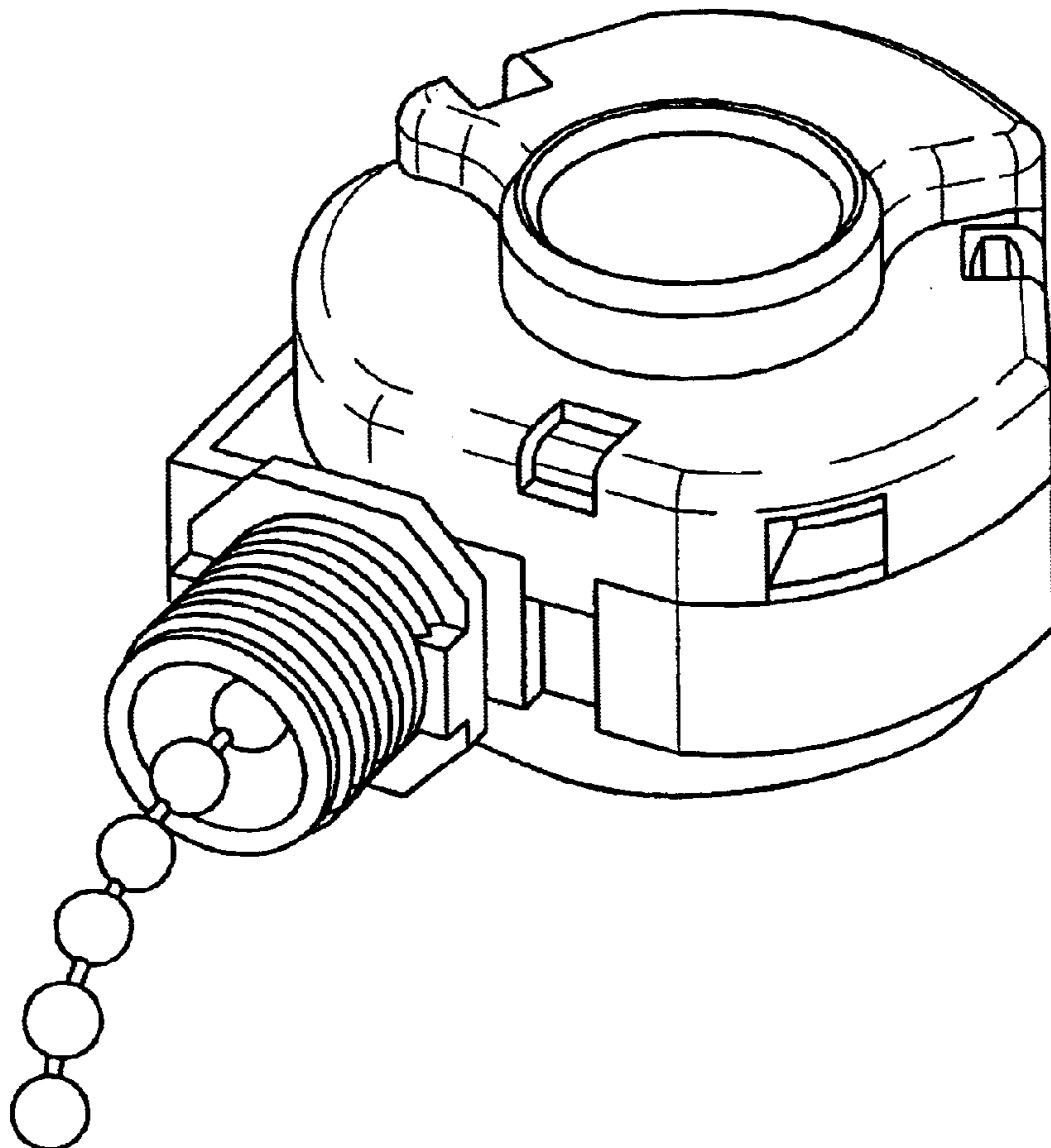


FIG. 1

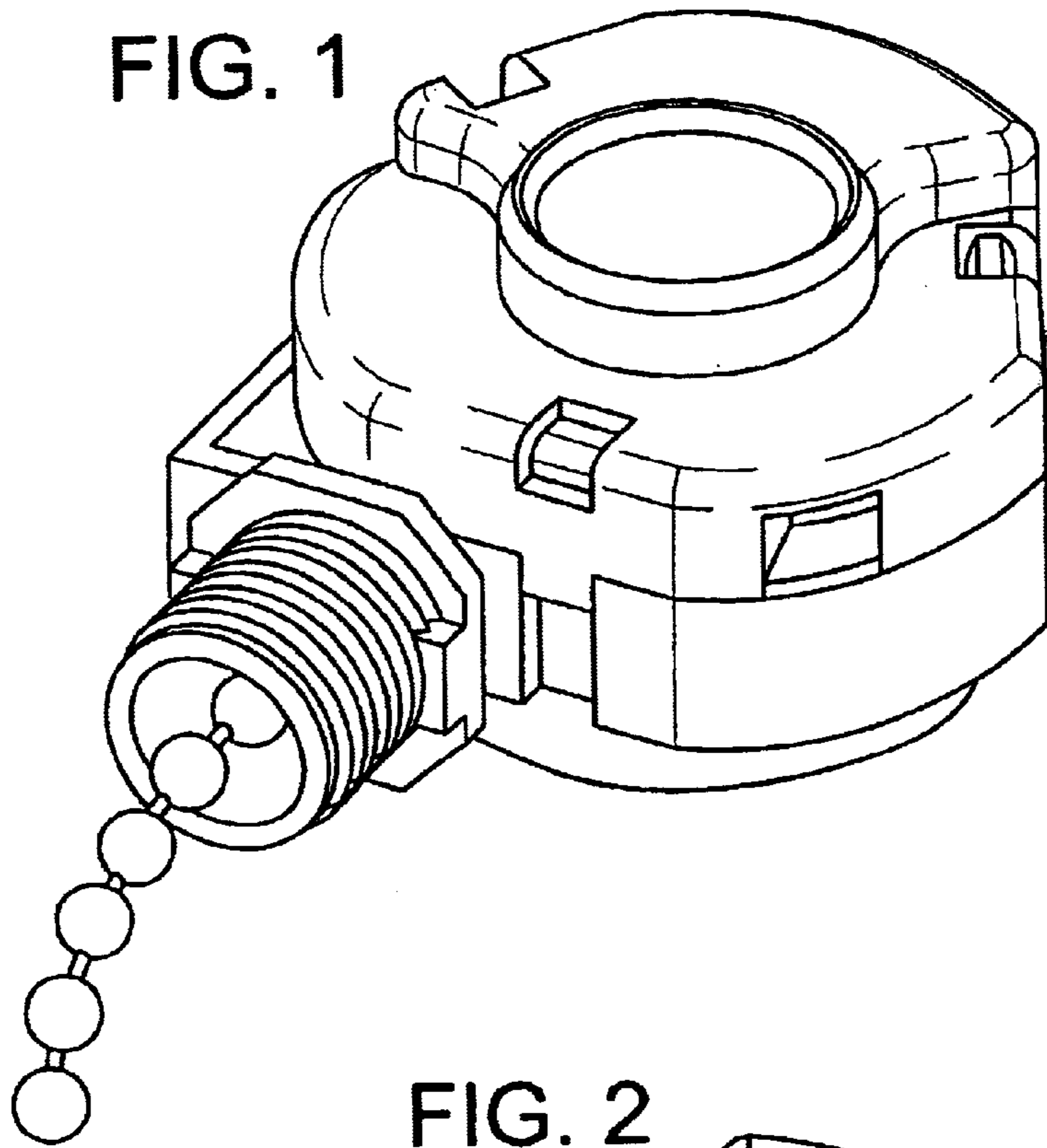


FIG. 2

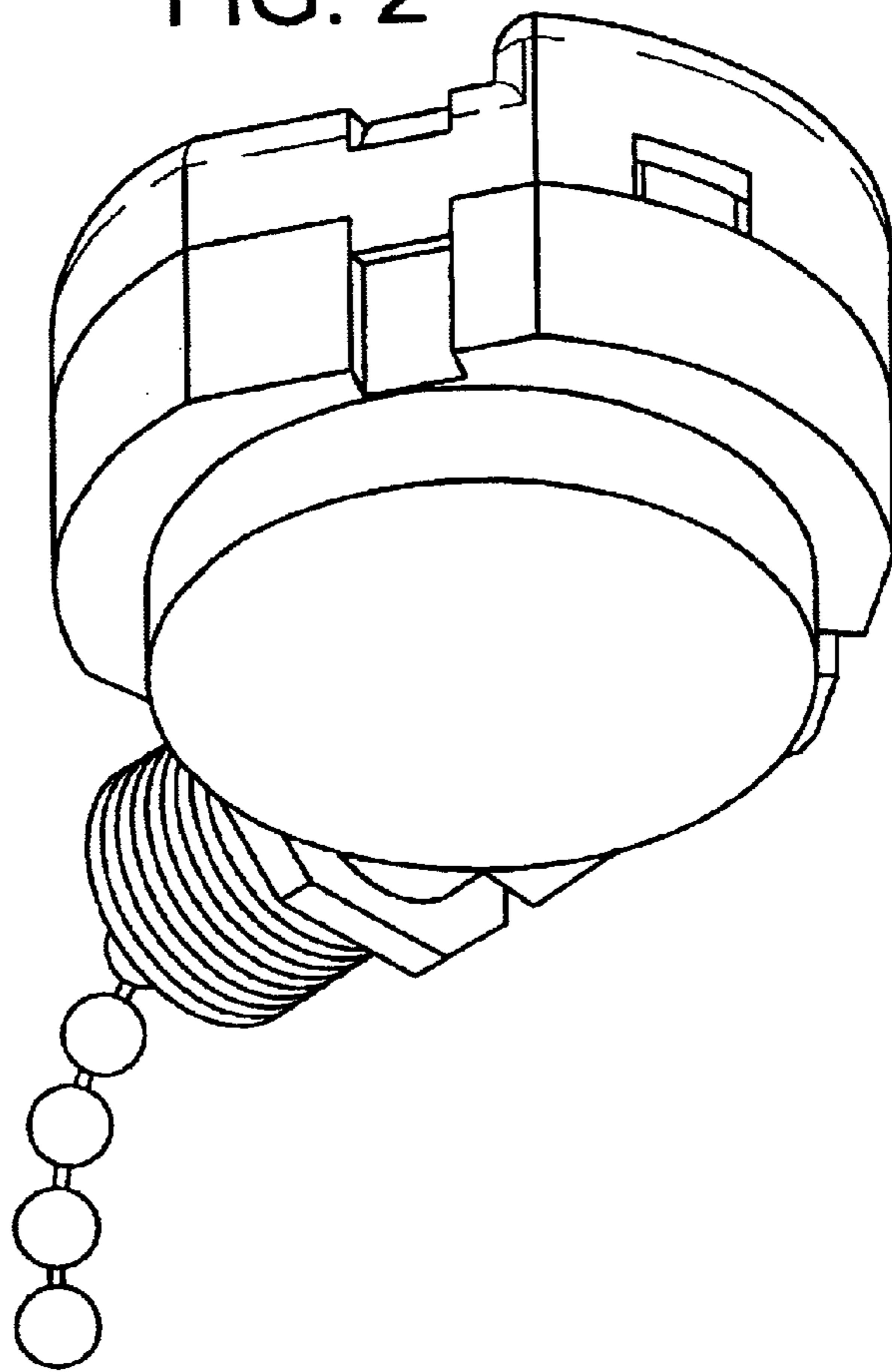


FIG. 3

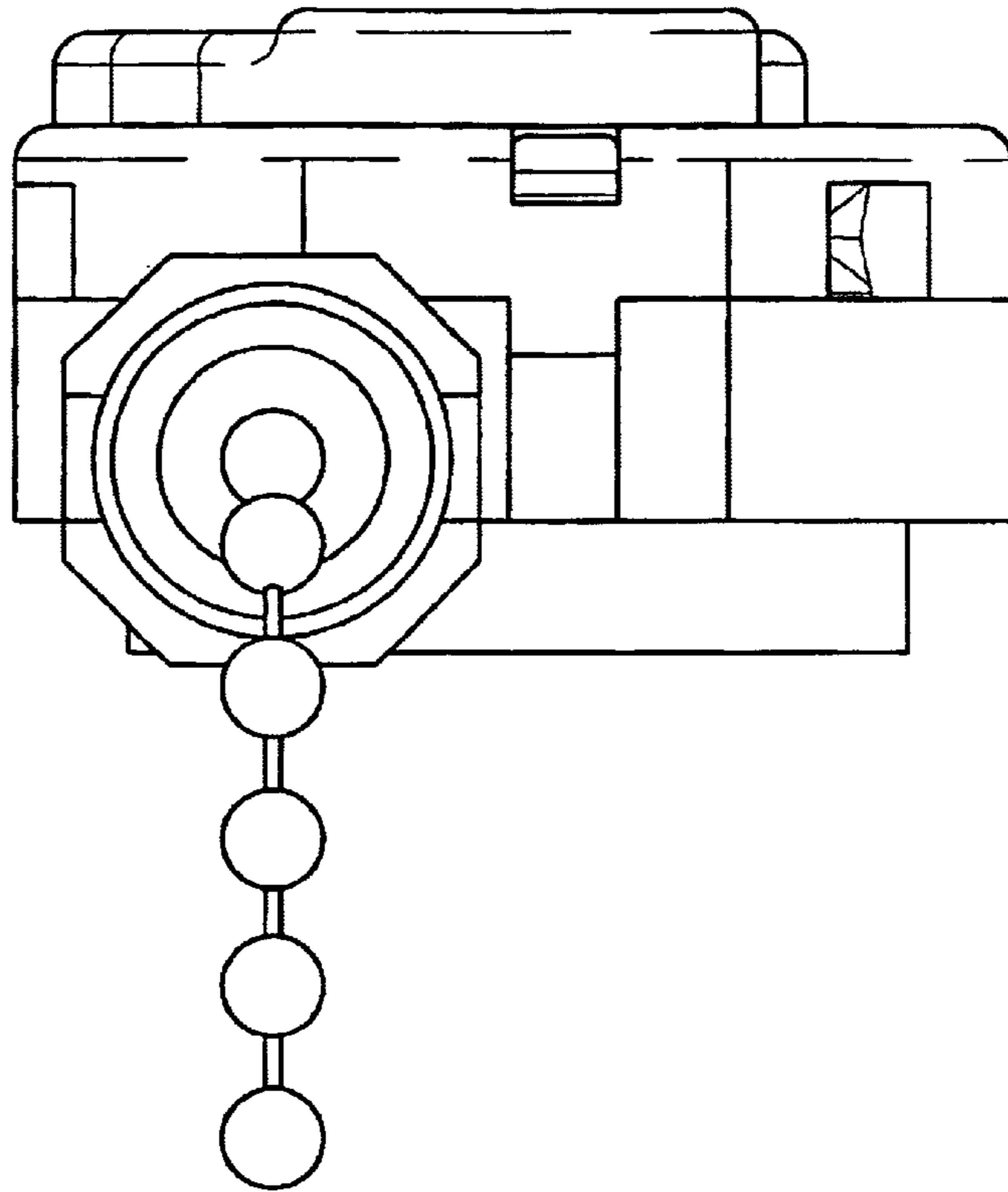


FIG. 4

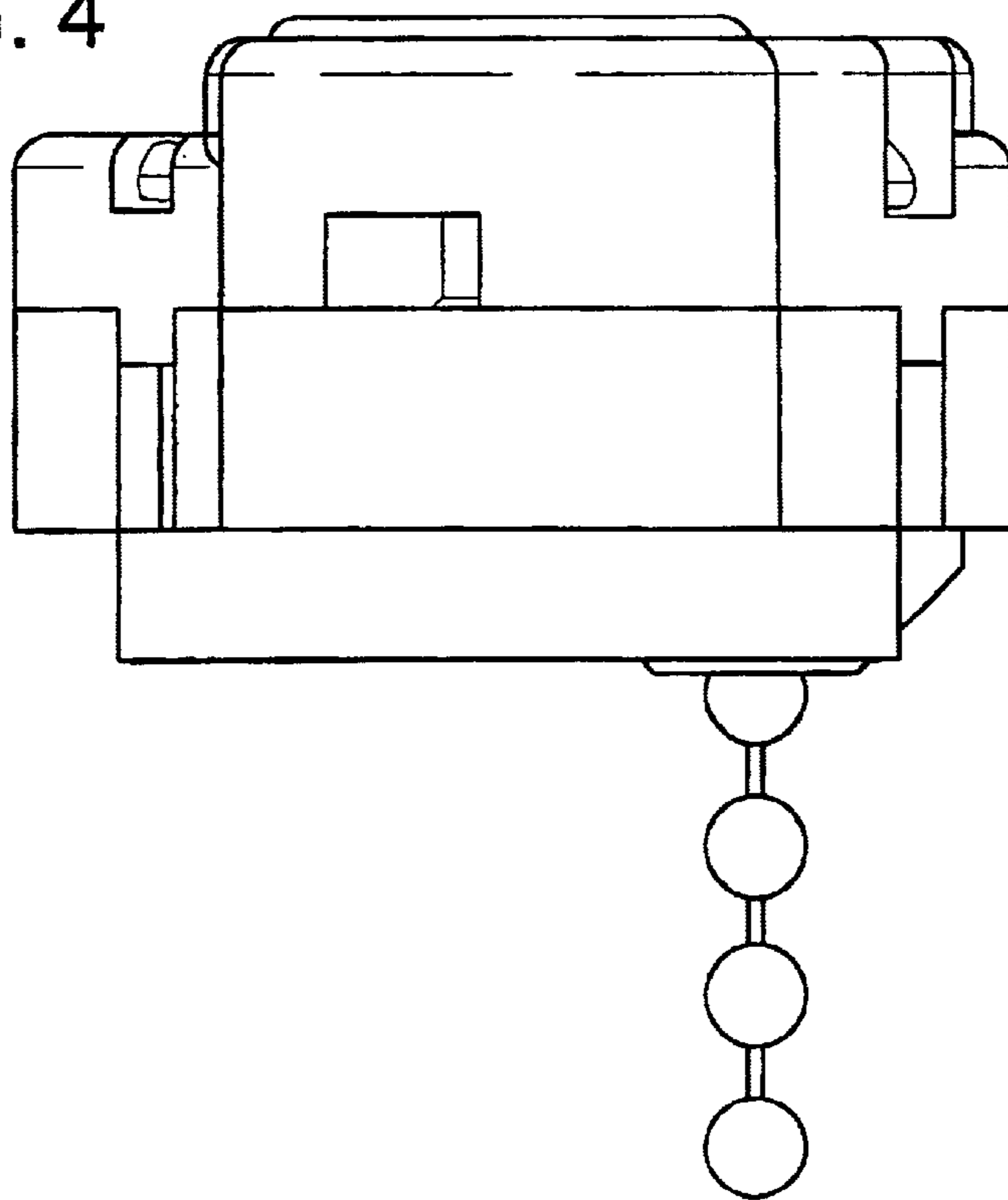


FIG. 5

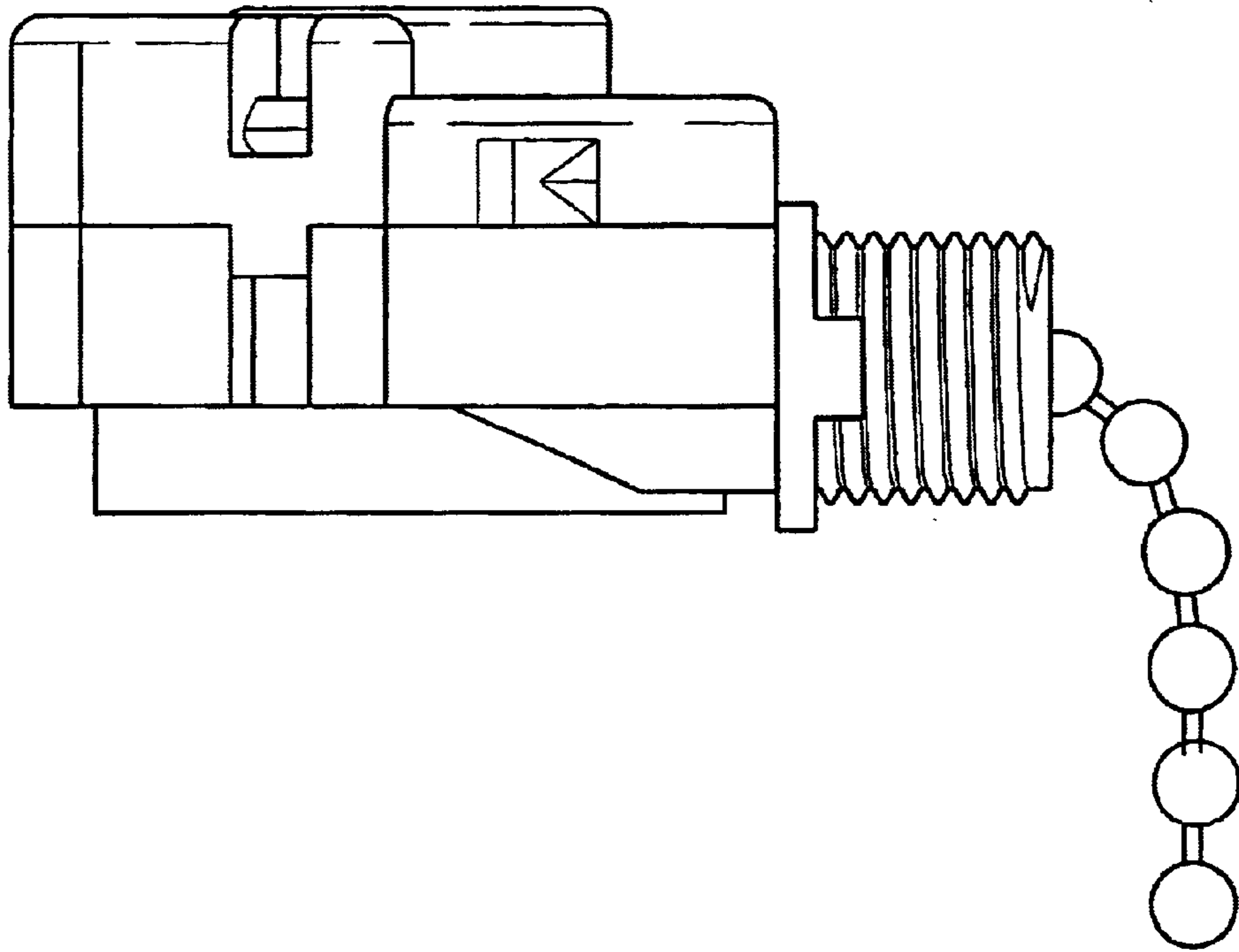


FIG. 6

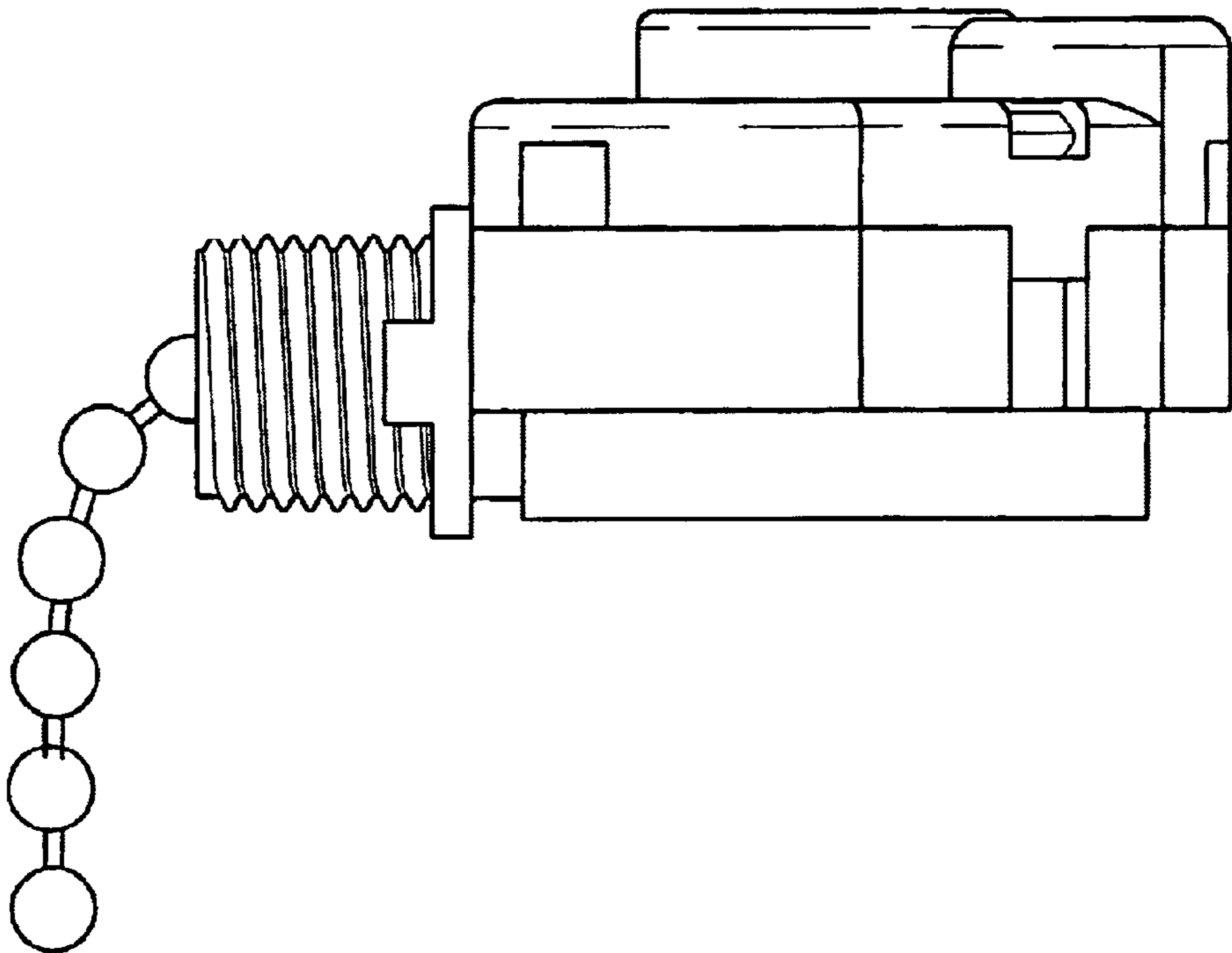


FIG. 7

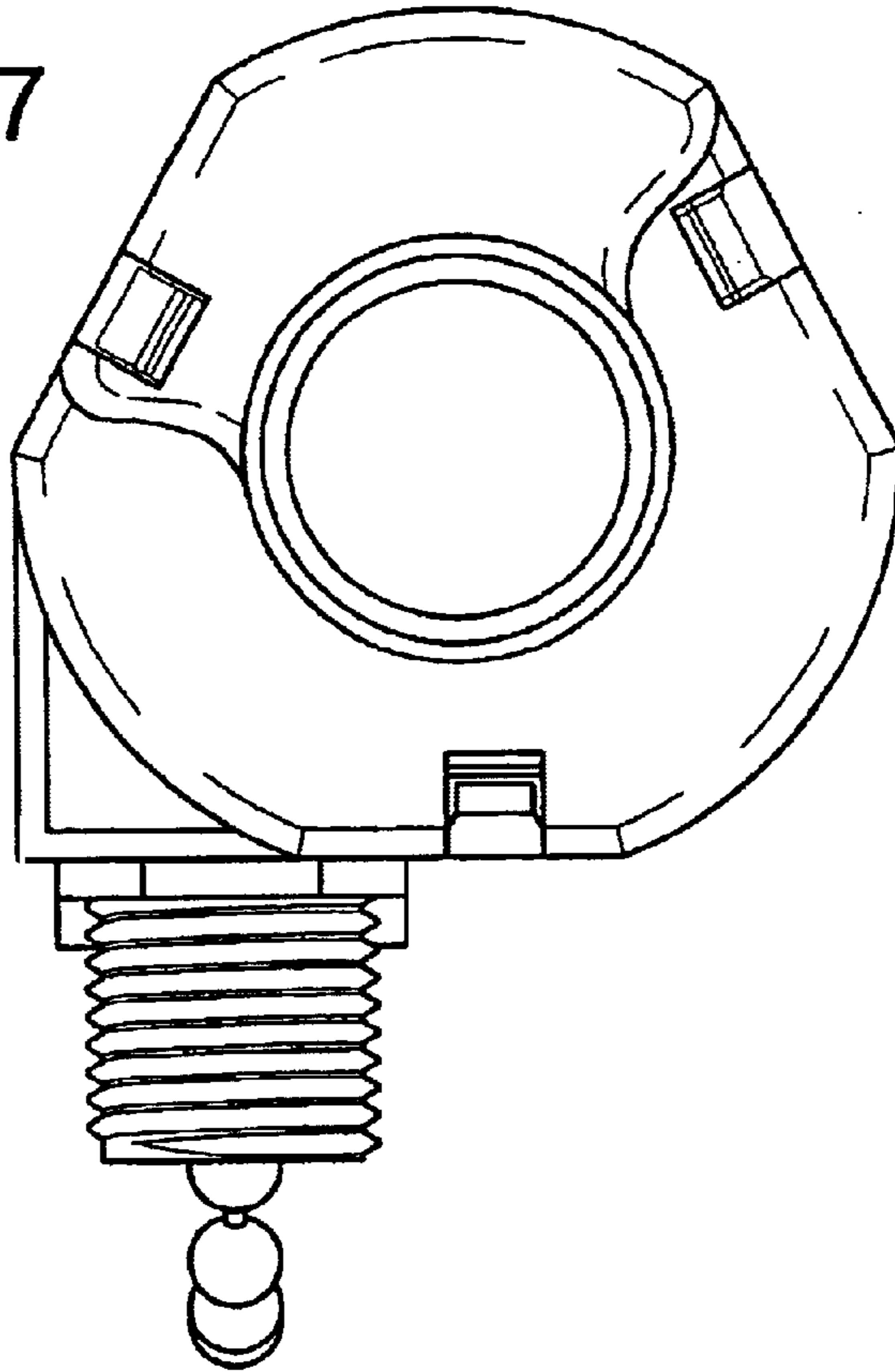


FIG. 8

