



US00D490378S

(12) **United States Design Patent**
Chung

(10) **Patent No.:** **US D490,378 S**

(45) **Date of Patent:** **** May 25, 2004**

(54) **MAIN SOCKET OF AUTOMATIC SWITCH**

(75) **Inventor:** **Chen Sun Chung, Shijr (TW)**

(73) **Assignee:** **Aten International Co, Ltd., Taipei (TW)**

(**) **Term:** **14 Years**

(21) **Appl. No.:** **29/180,849**

(22) **Filed:** **Apr. 30, 2003**

(51) **LOC (7) Cl.** **13-03**

(52) **U.S. Cl.** **D13/147**

(58) **Field of Search** D13/146, 147;
439/362, 502, 620, 638, 639, 650

(56) **References Cited**

U.S. PATENT DOCUMENTS

5,443,390	A	*	8/1995	Kokkosoulis et al.	439/76.1
D409,572	S	*	5/1999	Putten	D13/147
6,113,413	A	*	9/2000	Cronin et al.	439/352
6,319,040	B1	*	11/2001	Chang	439/352
6,319,066	B2	*	11/2001	Kuo	439/638

6,321,340	B1	*	11/2001	Shin et al.	713/310
D463,372	S	*	9/2002	Sato et al.	D13/147
D463,373	S	*	9/2002	Lee	D13/147

* cited by examiner

Primary Examiner—Philip S. Hyder

Assistant Examiner—Selina Sikder

(74) *Attorney, Agent, or Firm*—W. Wayne Liauh

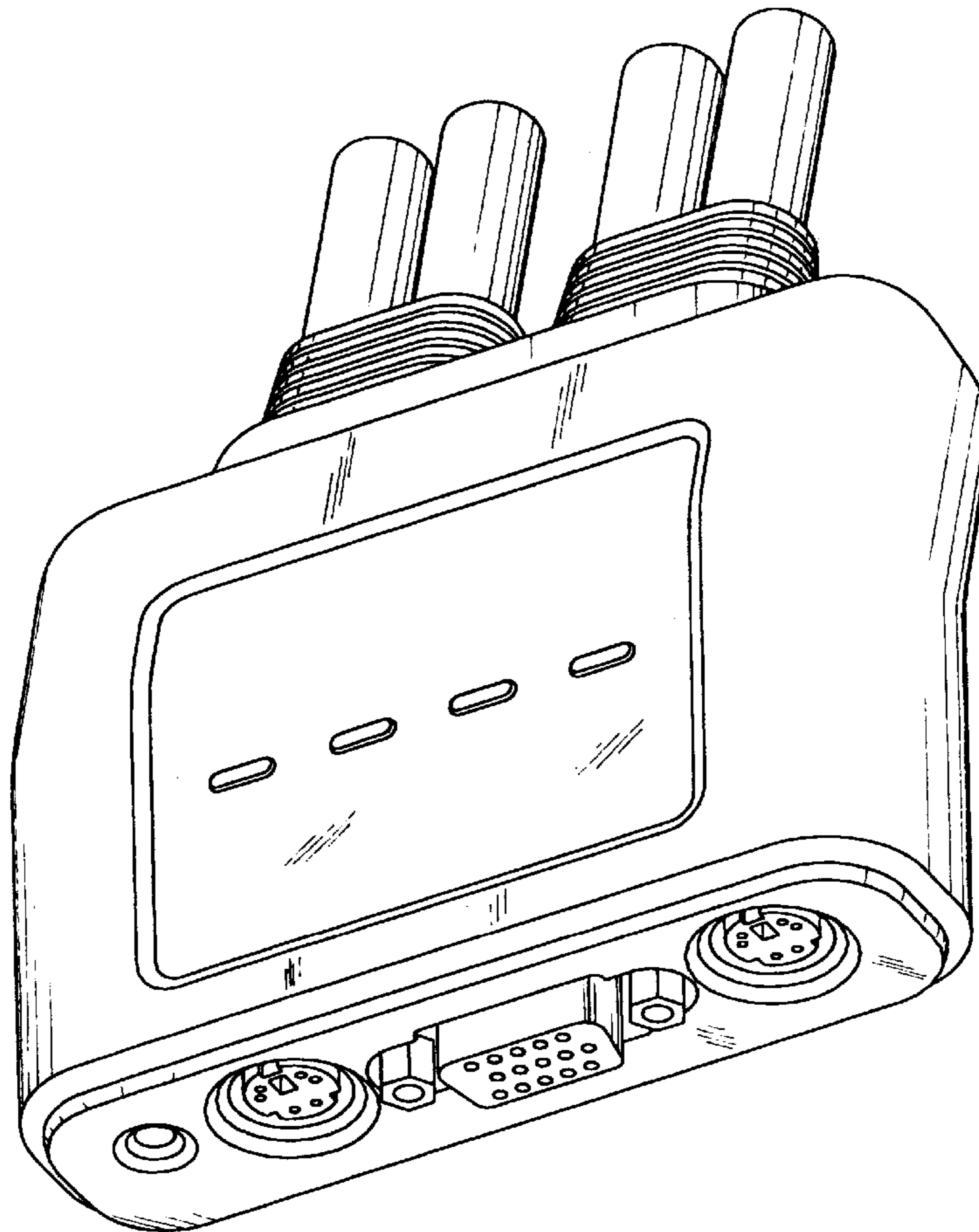
(57) **CLAIM**

The ornamental design for a main socket of automatic switch, as shown and described.

DESCRIPTION

FIG. 1 is a perspective view of a main socket of automatic switch, showing my new design; FIG. 2 is a front view thereof; FIG. 3 is a rear view thereof; FIG. 4 is a left side view thereof; FIG. 5 is a right side view thereof; FIG. 6 is a top view thereof; and, FIG. 7 is a bottom view thereof.

1 Claim, 4 Drawing Sheets



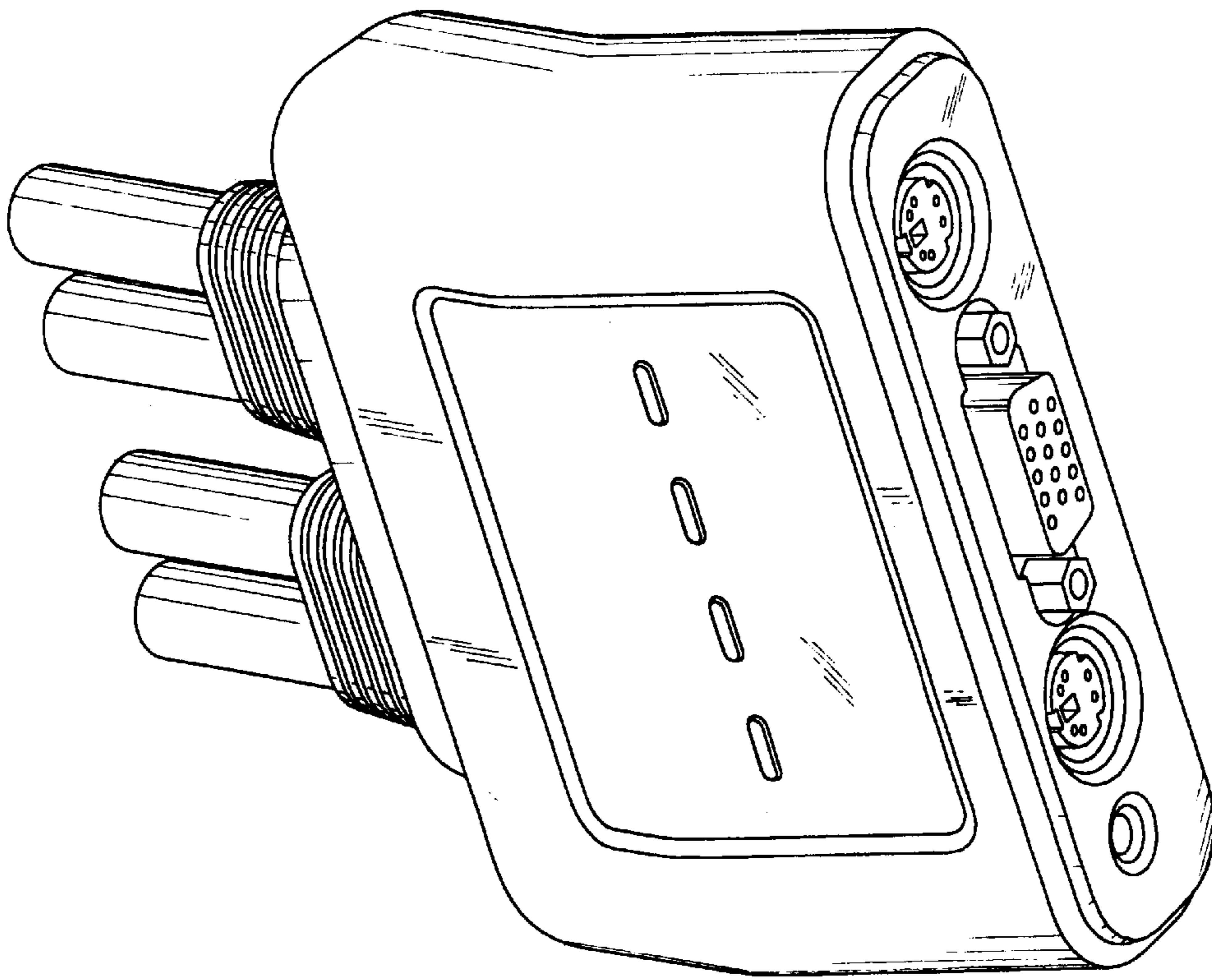


FIG.1

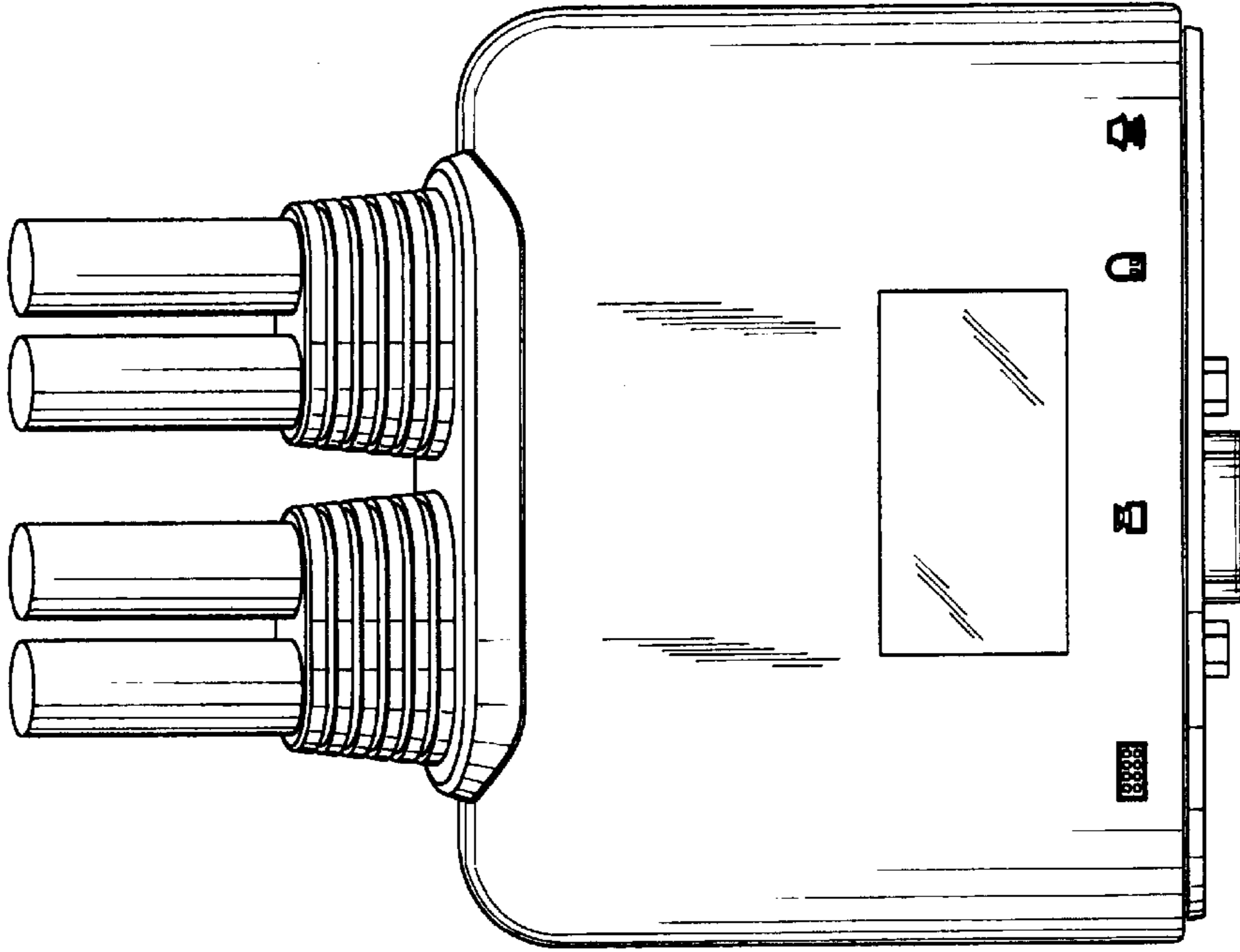


FIG.3

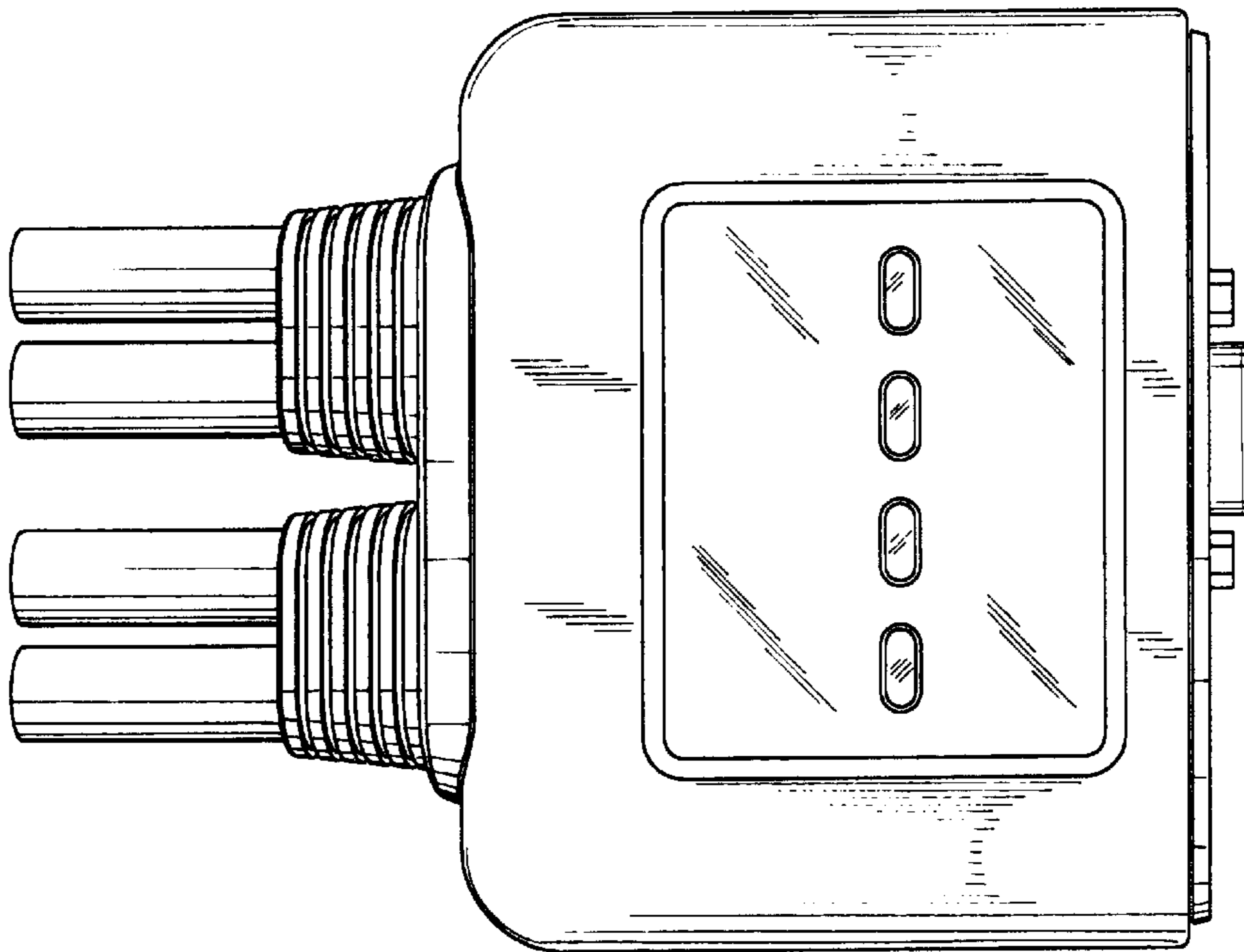


FIG.2

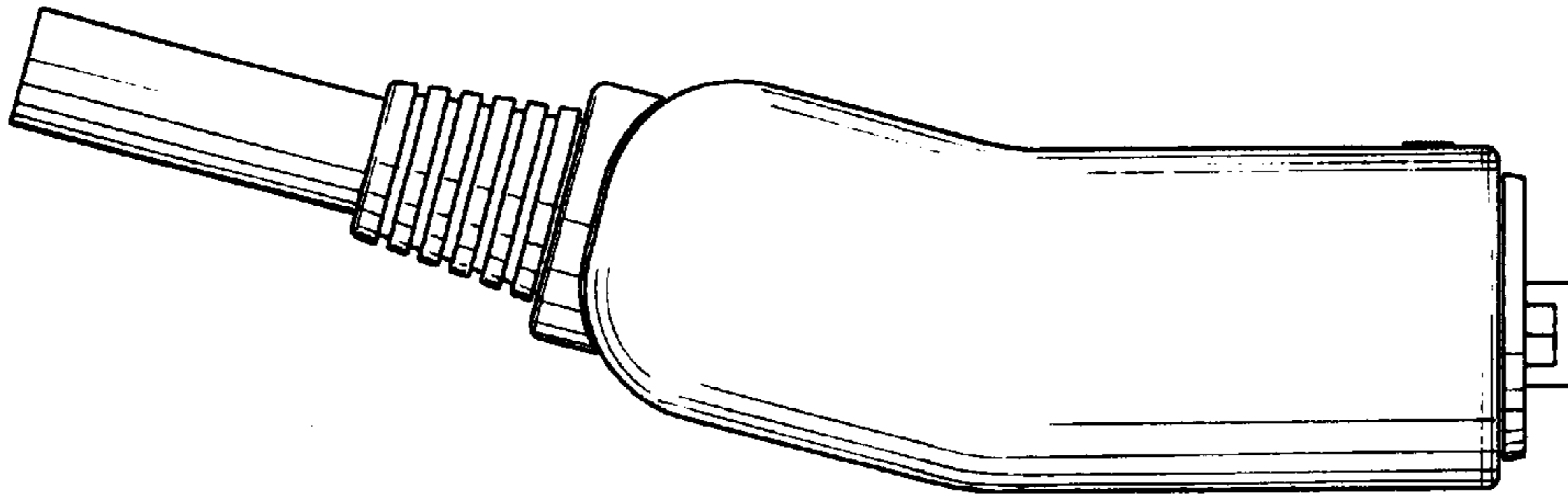


FIG. 5

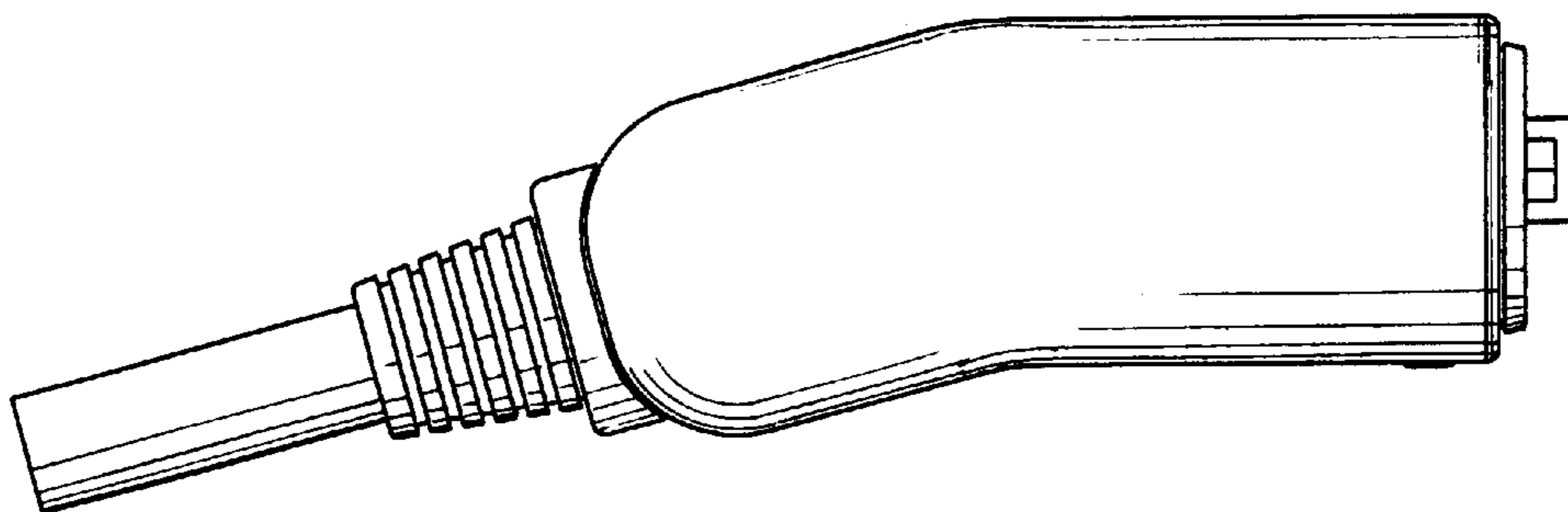


FIG. 4

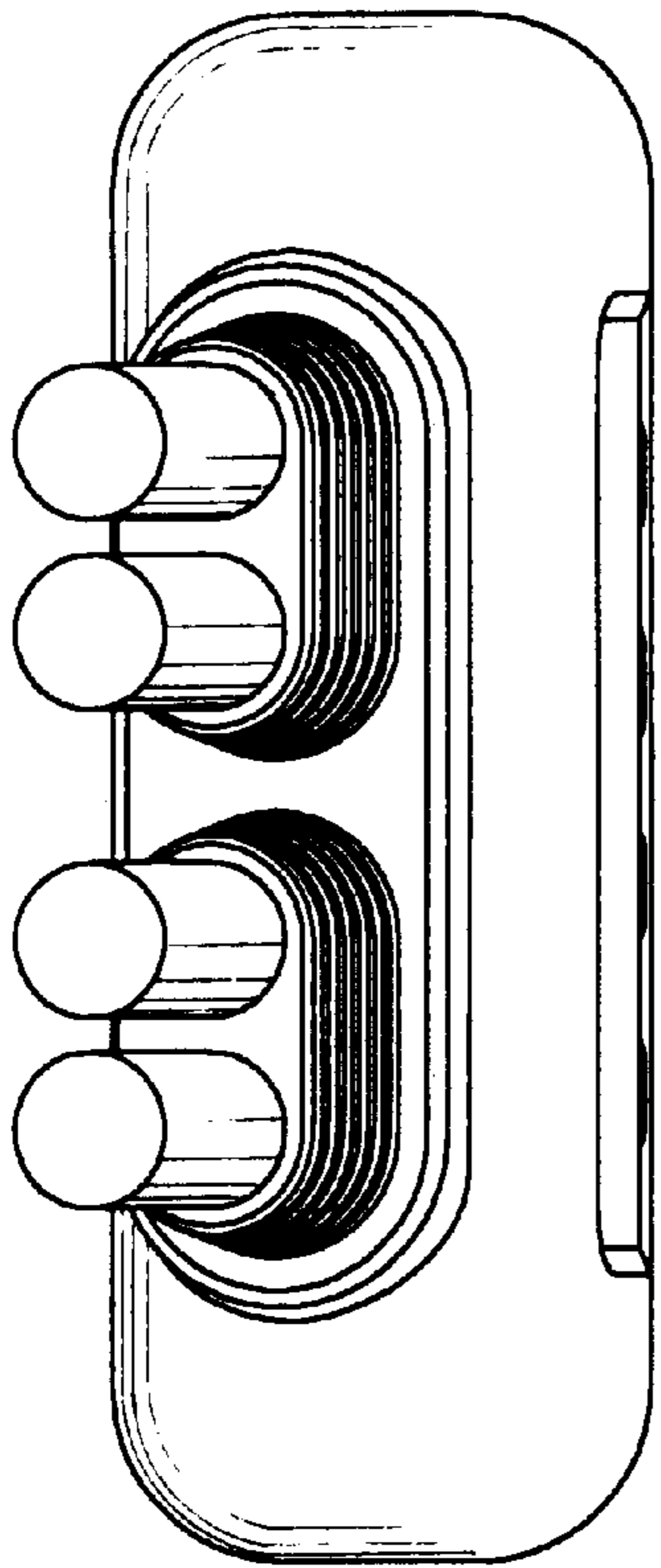


FIG. 6

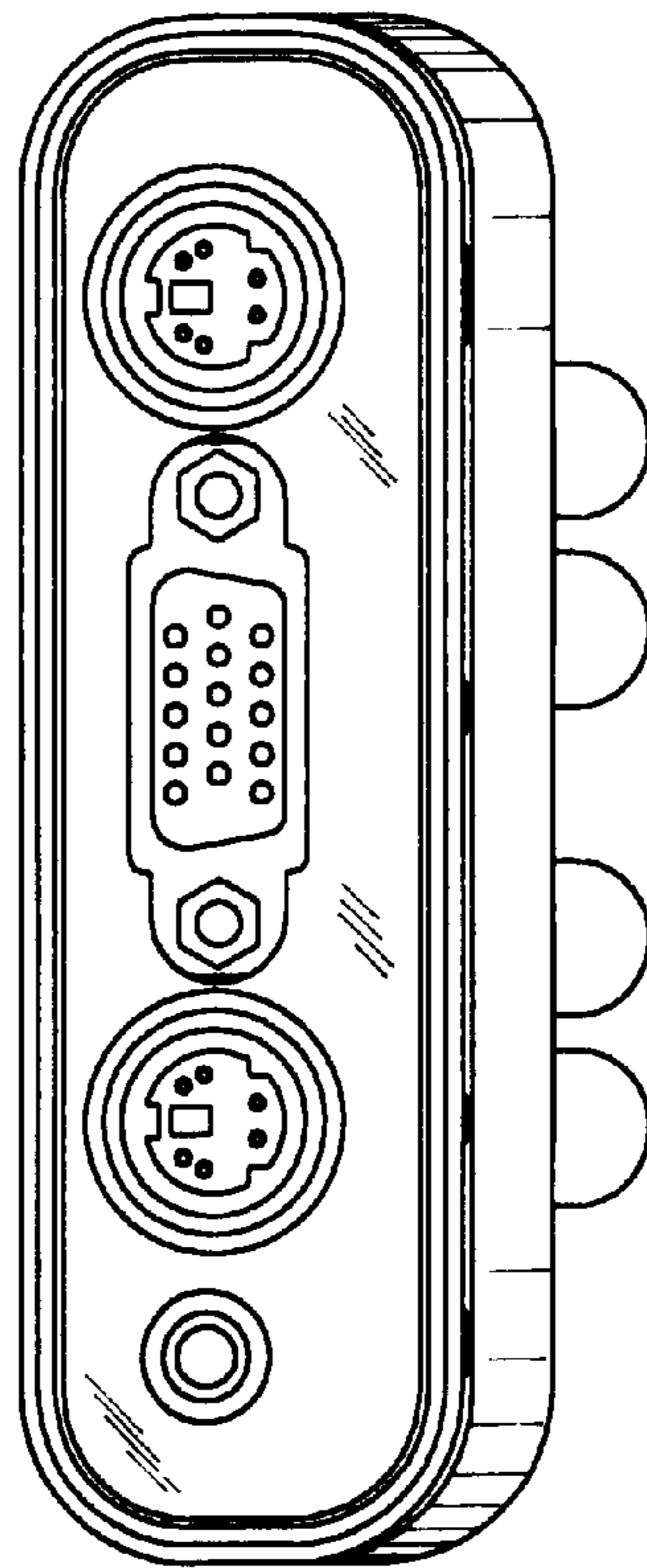


FIG. 7