



US00D490377S

(12) **United States Design Patent**
Sato

(10) **Patent No.:** **US D490,377 S**

(45) **Date of Patent:** **** May 25, 2004**

(54) **ELECTRICAL CONNECTOR**

(75) Inventor: **Yukiko Sato, Akishima (JP)**

(73) Assignee: **Japan Aviation Electronics Industry, Limited, Tokyo (JP)**

(**) Term: **14 Years**

(21) Appl. No.: **29/178,472**

(22) Filed: **Mar. 26, 2003**

(30) **Foreign Application Priority Data**

Sep. 27, 2002 (JP) 2002-030215

(51) **LOC (7) Cl.** **13-03**

(52) **U.S. Cl.** **D13/147**

(58) **Field of Search** D13/146, 147;
439/59, 61, 62, 76.1, 79, 83, 108, 378,
497, 566, 567, 607, 609, 610, 630, 632,
634, 636, 637, 660, 680

(56) **References Cited**

U.S. PATENT DOCUMENTS

- 6,093,061 A * 7/2000 Varsik et al. 439/701
- D435,244 S * 12/2000 Lok D13/147
- D452,680 S * 1/2002 Kubota D13/147
- D465,202 S * 11/2002 Kubota D13/147

- D466,480 S * 12/2002 Yeh D13/147
- D481,359 S * 10/2003 Kuroki et al. D13/147

* cited by examiner

Primary Examiner—Philip S. Hyder

Assistant Examiner—Selina Sikder

(74) *Attorney, Agent, or Firm*—Michael Best & Friedrich LLP

(57) **CLAIM**

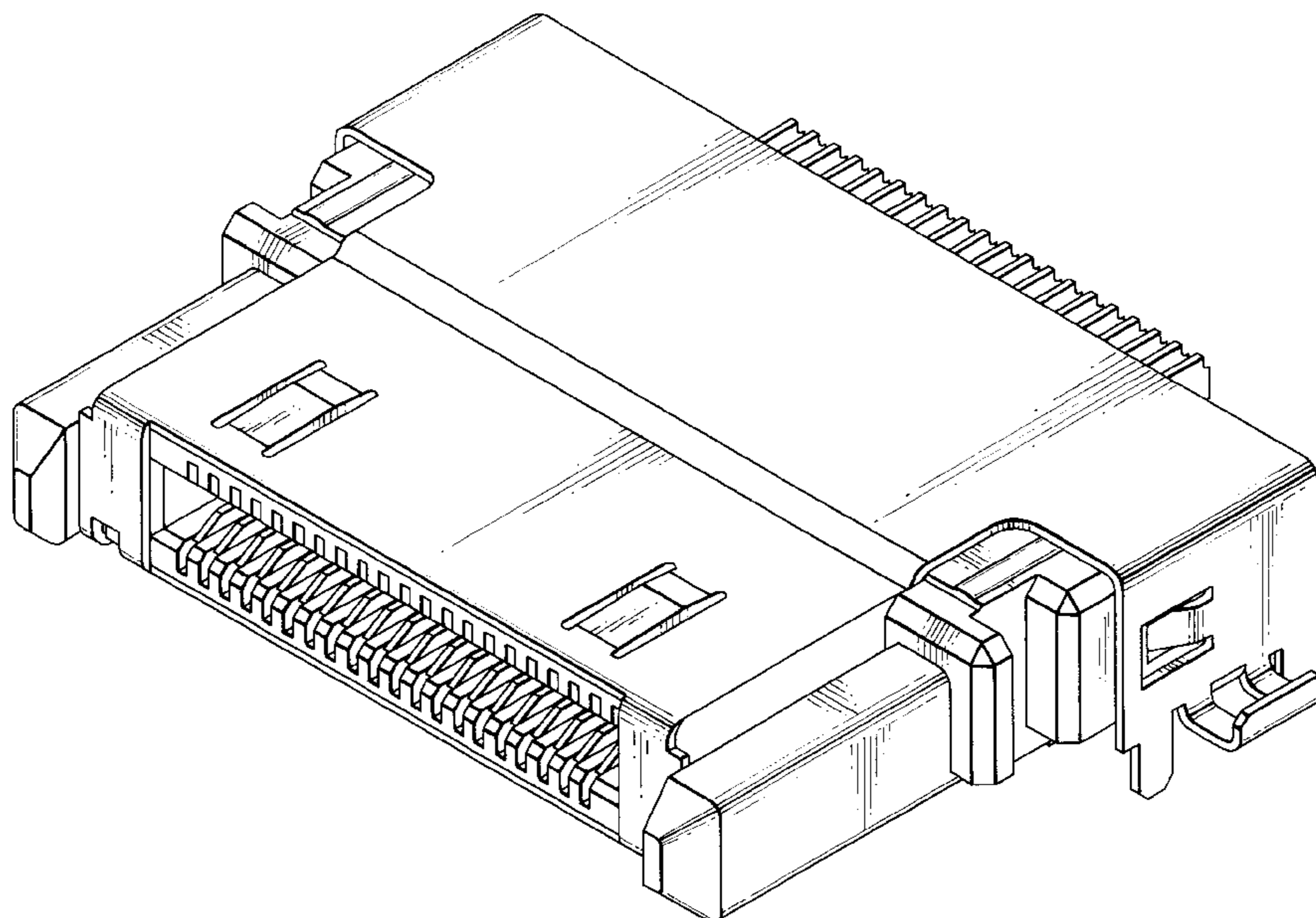
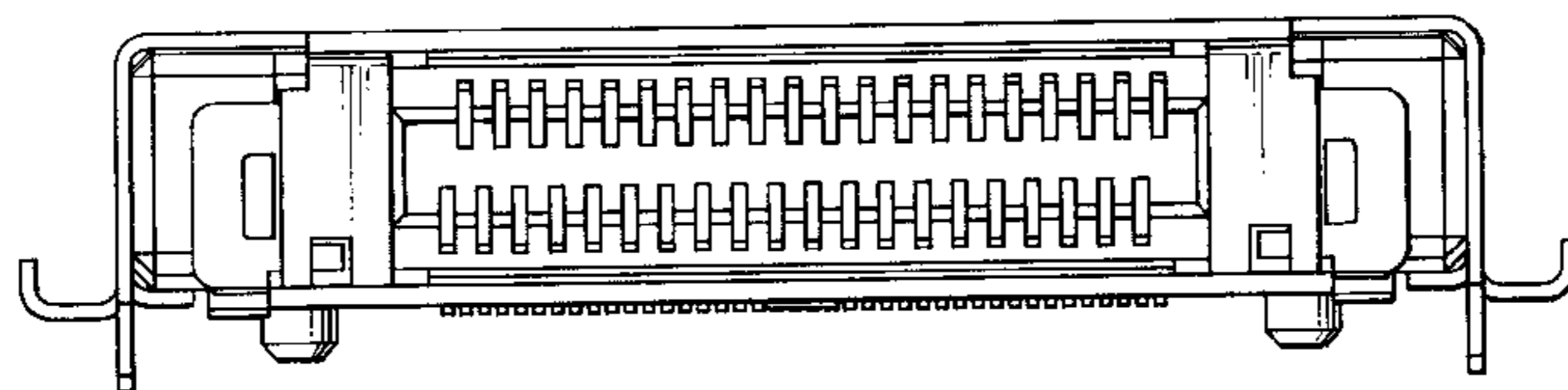
The ornamental design for an electrical connector, as shown and described.

DESCRIPTION

FIG. 1 is a front elevational view of an electrical connector; FIG. 2 is a top plan view thereof; FIG. 3 is a rear elevational view thereof; FIG. 4 is a bottom plan view thereof; FIG. 5 is a right side elevational view thereof; FIG. 6 is a front, top, and right side perspective view thereof; and, FIG. 7 is a rear, bottom, and right side perspective view thereof.

A left side elevational view of the electrical connector is omitted because it is presented symmetrical to the right side view of FIG. 5.

1 Claim, 4 Drawing Sheets



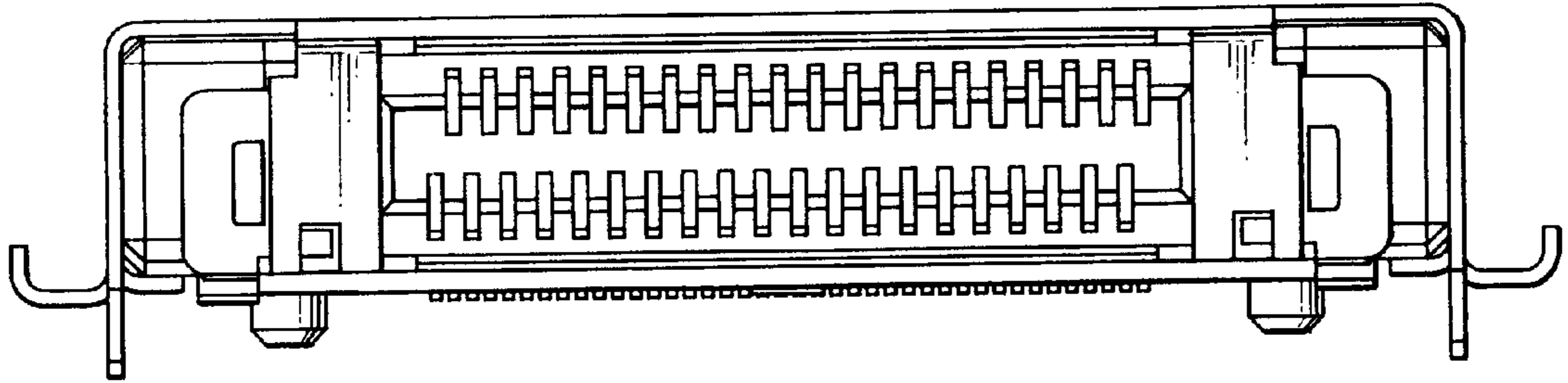


FIG. 1

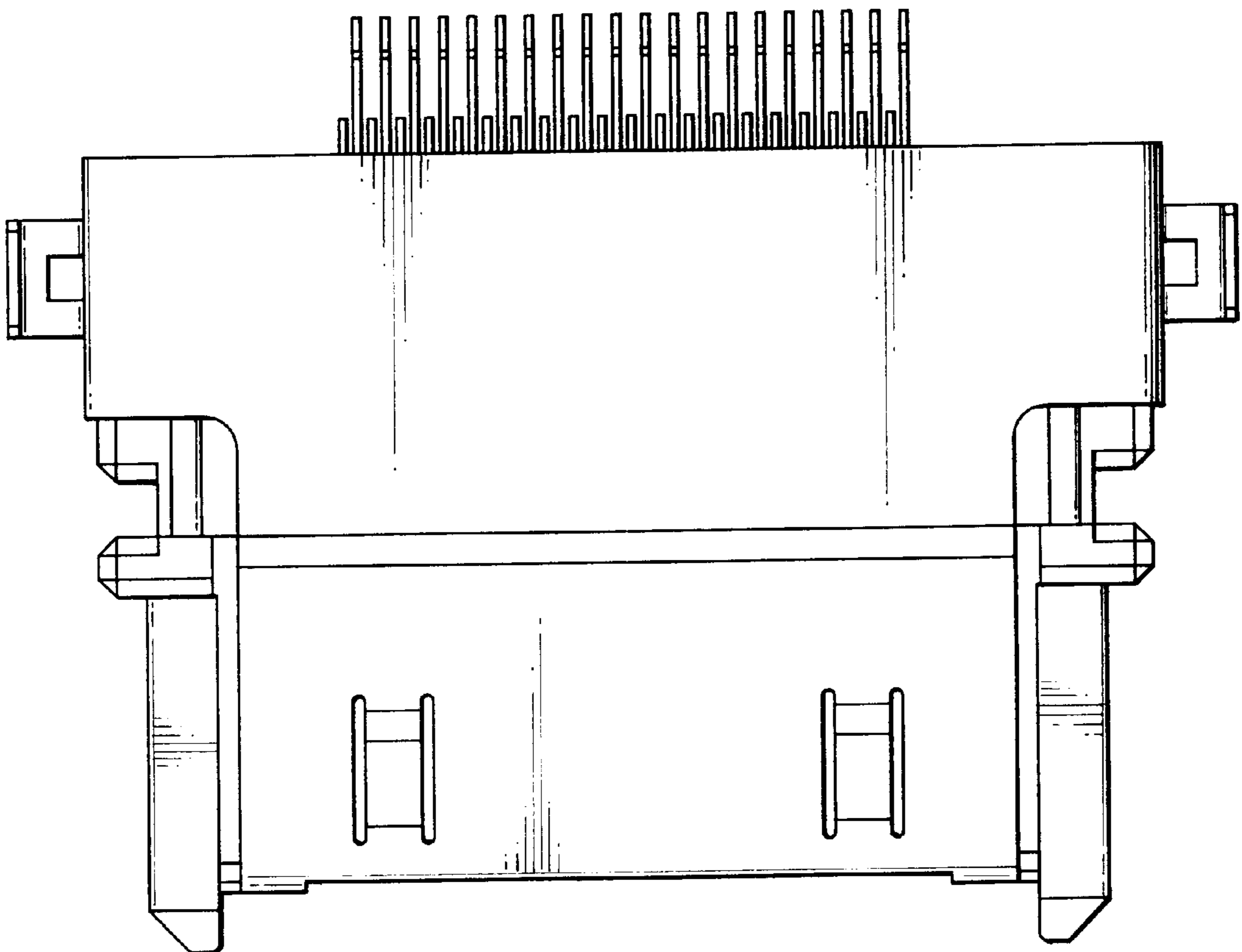


FIG. 2

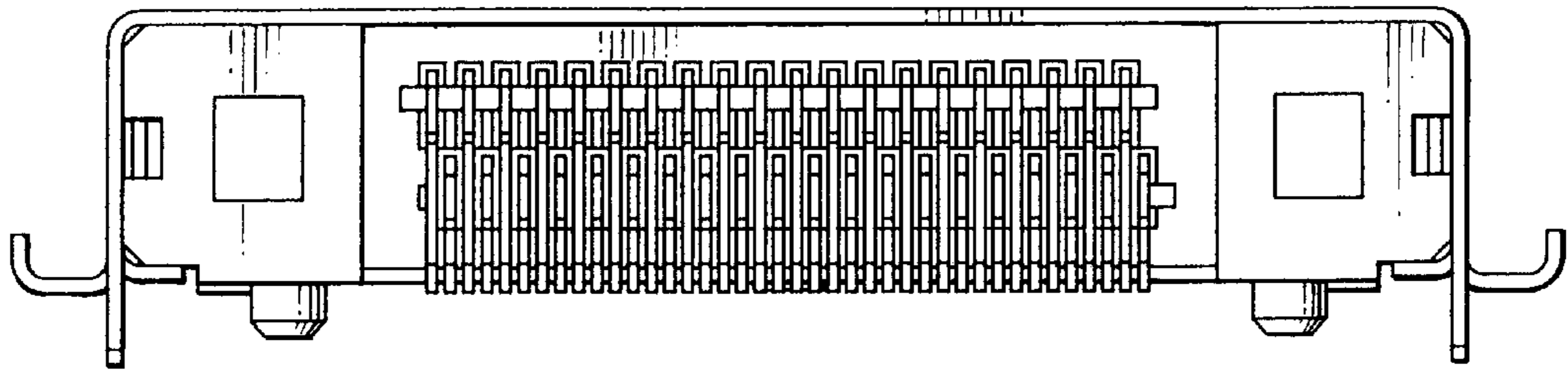


FIG. 3

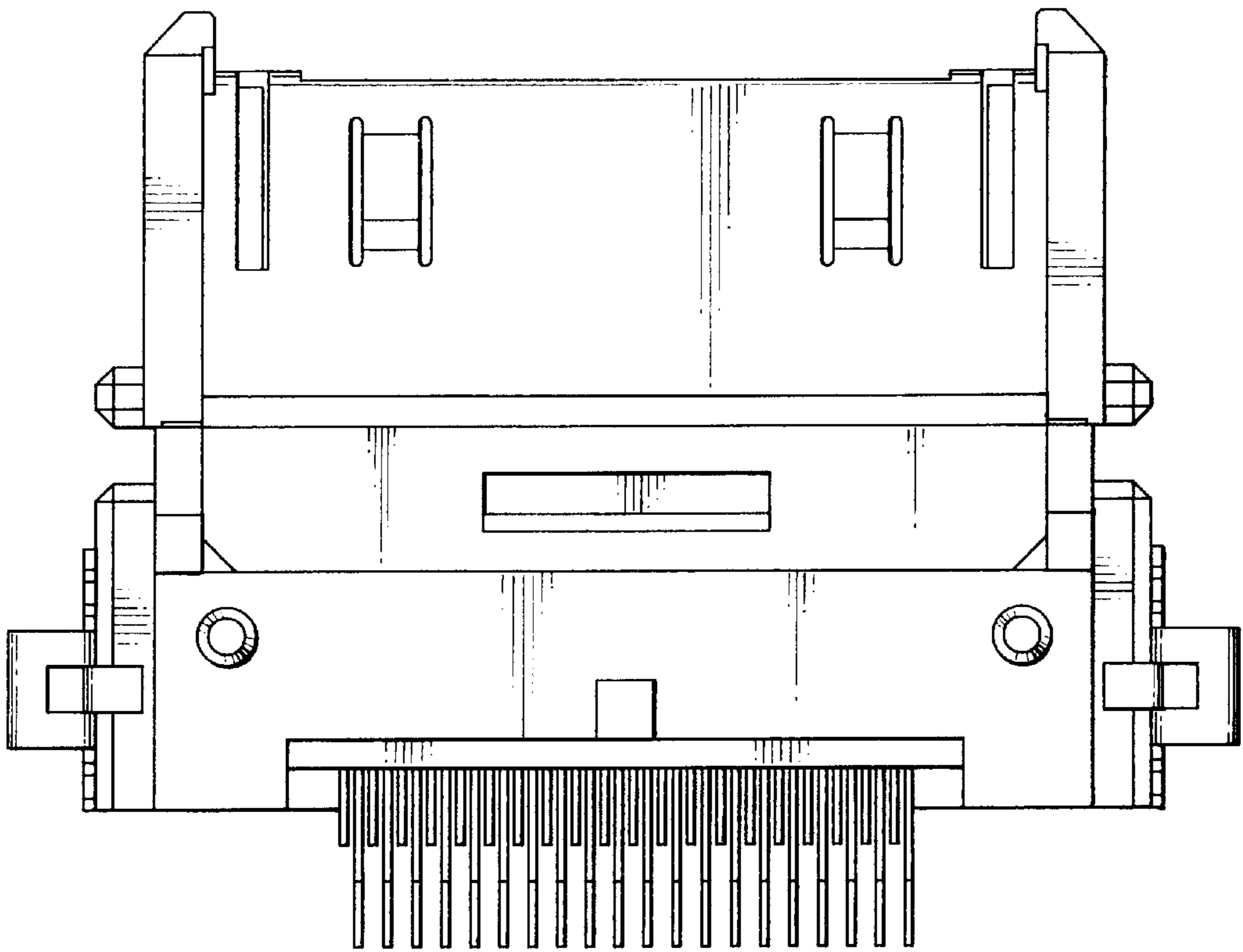


FIG. 4

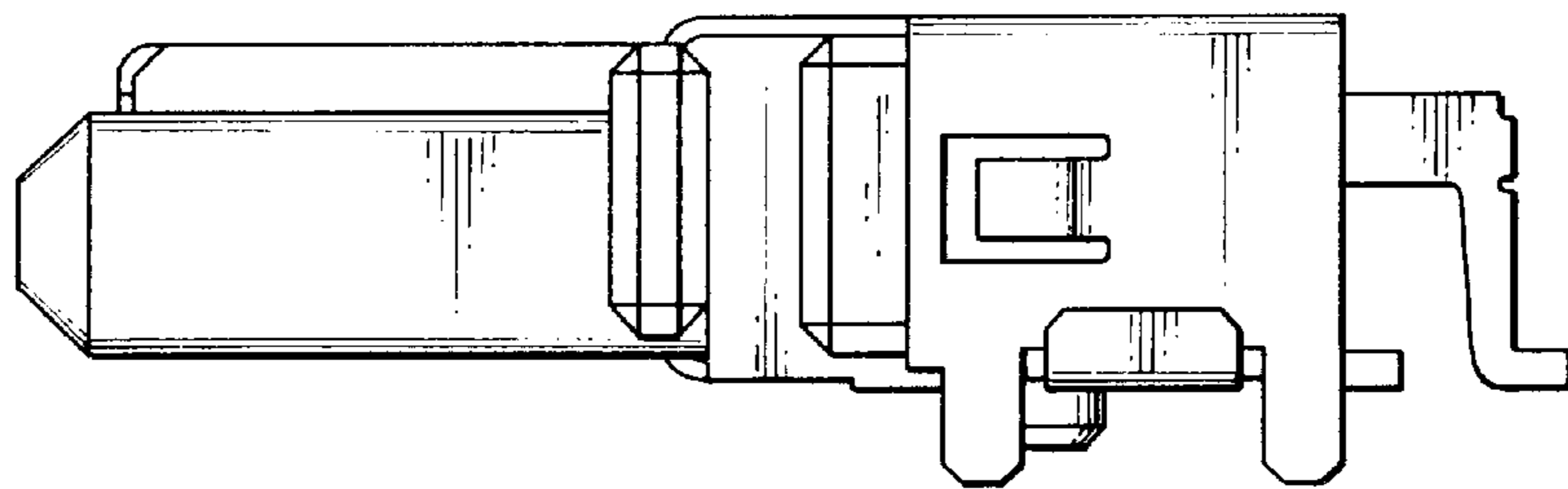


FIG. 5

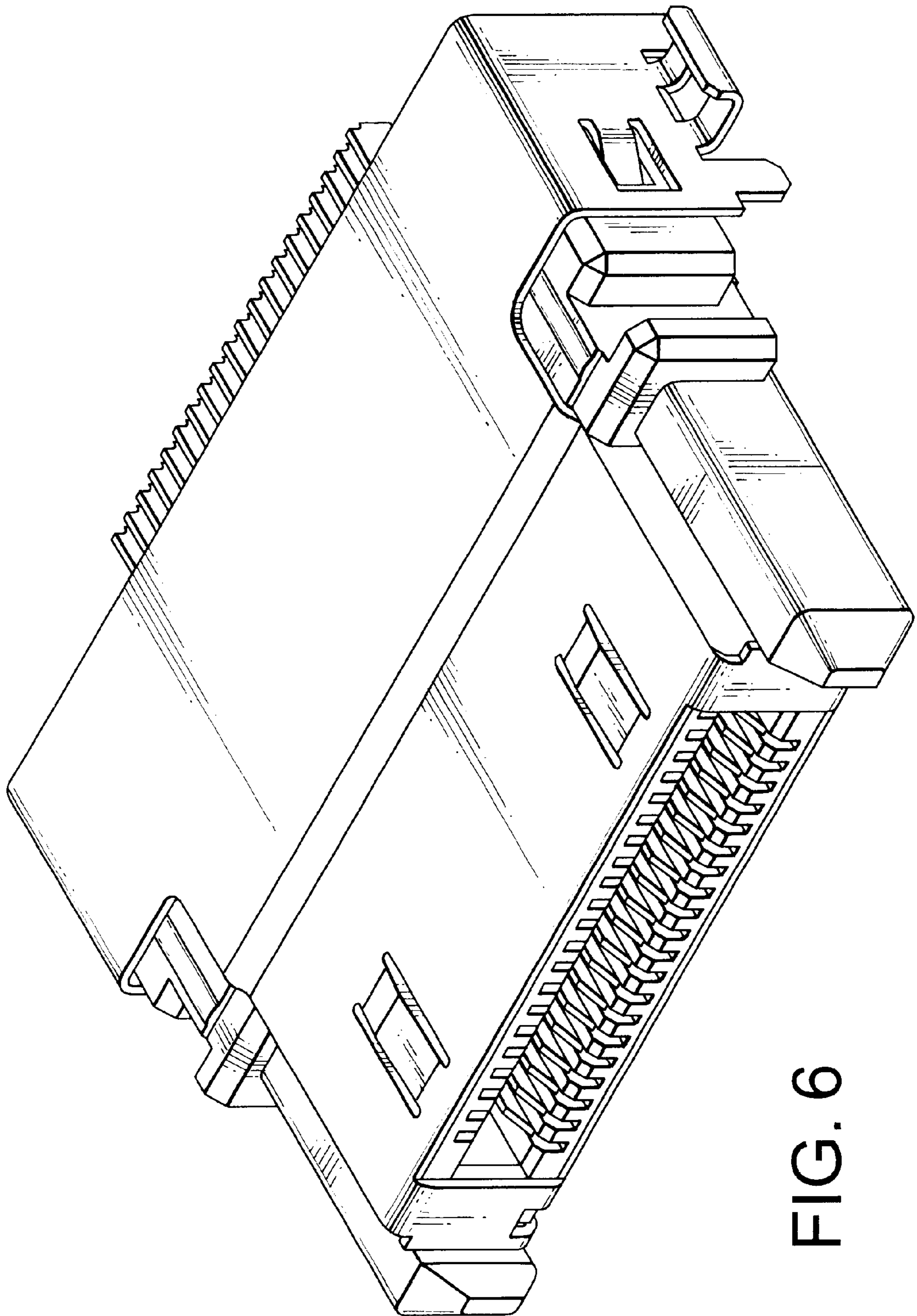


FIG. 6

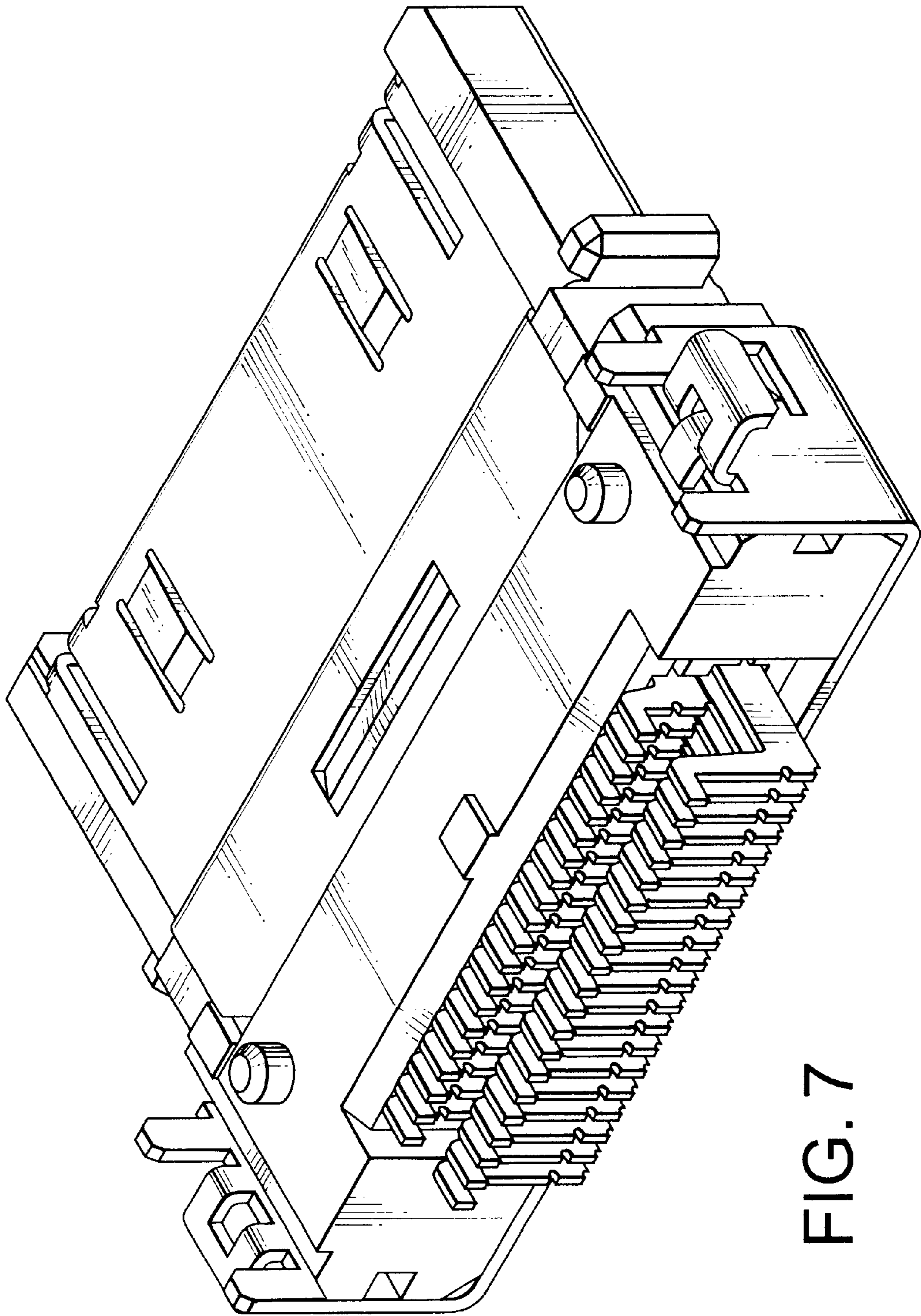


FIG. 7