



US00D490372S

(12) **United States Design Patent**
Lee et al.

(10) **Patent No.:** **US D490,372 S**

(45) **Date of Patent:** **** May 25, 2004**

(54) **PLASMA POWER CENTER DISPLAY
MODULE**

(75) Inventors: **Noel Lee**, Las Vegas, NV (US);
Kendrew Lee, Fremont, CA (US)

(73) Assignee: **Monster, LLC**, Las Vegas, NV (US)

(**) Term: **14 Years**

(21) Appl. No.: **29/189,199**

(22) Filed: **Aug. 29, 2003**

(51) **LOC (7) Cl.** **13-02**

(52) **U.S. Cl.** **D13/110**

(58) **Field of Search** D13/101, 110,
D13/112, 113, 114, 123, 199; 307/66, 150;
363/144; 439/318

(56) **References Cited**

U.S. PATENT DOCUMENTS

6,189,485	B1	*	2/2001	Matsuda et al.	118/723 E
D458,218	S	*	6/2002	Reynolds	D13/110
6,522,071	B1	*	2/2003	Park et al.	313/582
2003/0085853	A1	*	5/2003	Shiiki et al.	345/60
2003/0129107	A1	*	7/2003	Denes et al.	422/186.21
2003/0140982	A1	*	7/2003	Seki et al.	141/1
2003/0186613	A1	*	10/2003	Kawase	445/60

* cited by examiner

Primary Examiner—Philip S. Hyder

Assistant Examiner—Daniel Bui

(74) *Attorney, Agent, or Firm*—LaRiviere, Grubman & Payne, LLP

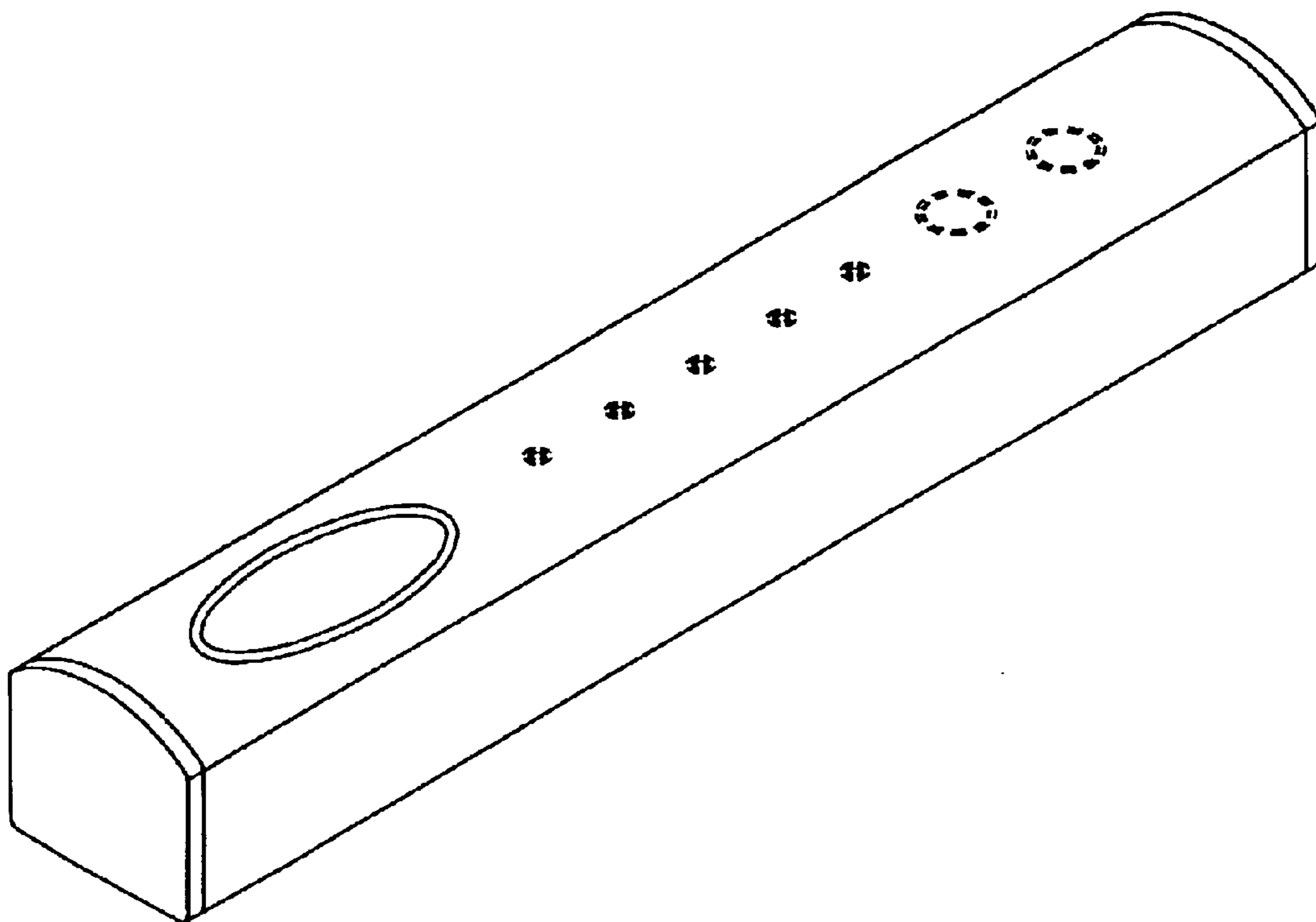
(57) **CLAIM**

The ornamental design for an plasma power center display module, as shown and described.

DESCRIPTION

FIG. 1 is a perspective view of a plasma power center display module, in accordance with the present invention. FIG. 2 is a top view of a plasma power center display module, in accordance with the present invention. FIG. 3 is a bottom view of a plasma power center display module, in accordance with the present invention. FIG. 4 is a right side view of a plasma power center display module, in accordance with the present invention. FIG. 5 is a left side view of a plasma power center display module, in accordance with the present invention. FIG. 6 is a rear view of a plasma power center display module, in accordance with the present invention; and, FIG. 7 is a frontal view of an plasma power center display module, in accordance with the present invention. The broken lines showing the environment in FIGS. 1–7 are for illustrative purposes only and form no part of the claimed design.

1 Claim, 3 Drawing Sheets



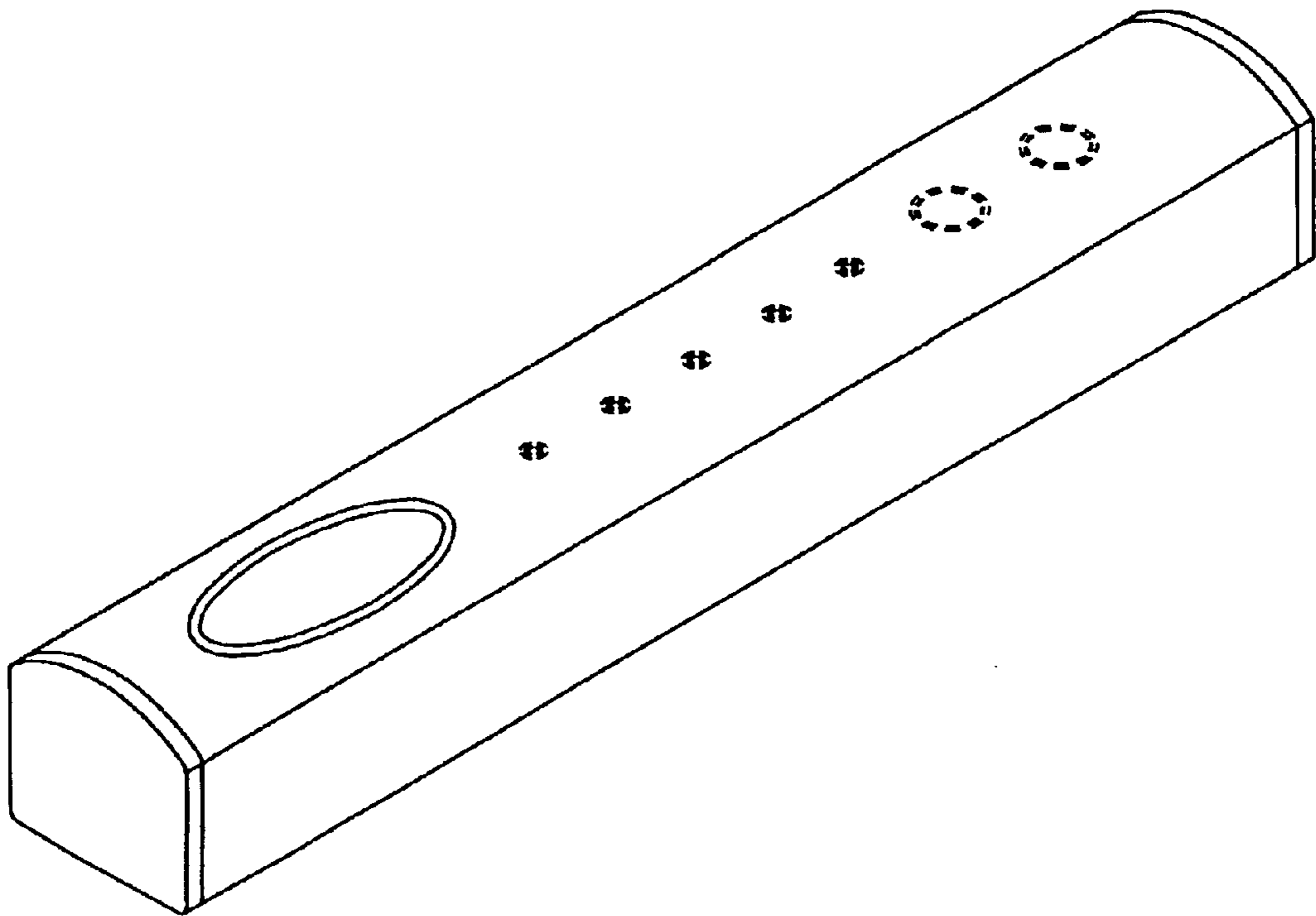


Figure 1

© 2003 Monster, LLC

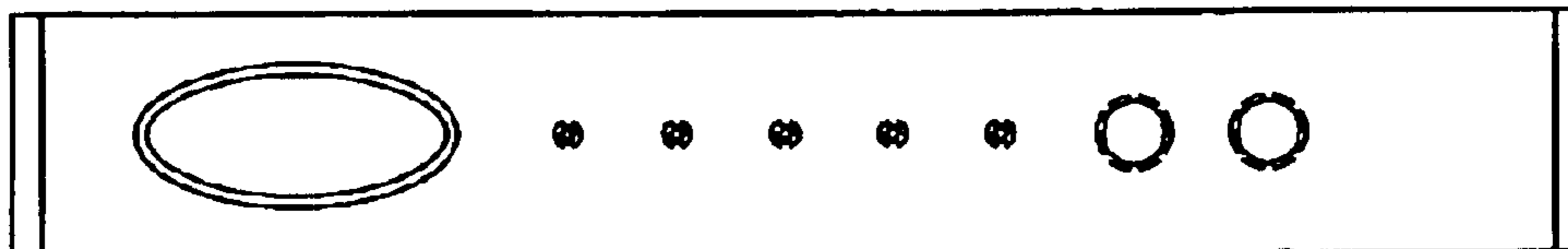


Figure 2
© 2003 Monster, LLC



Figure 3
© 2003 Monster, LLC

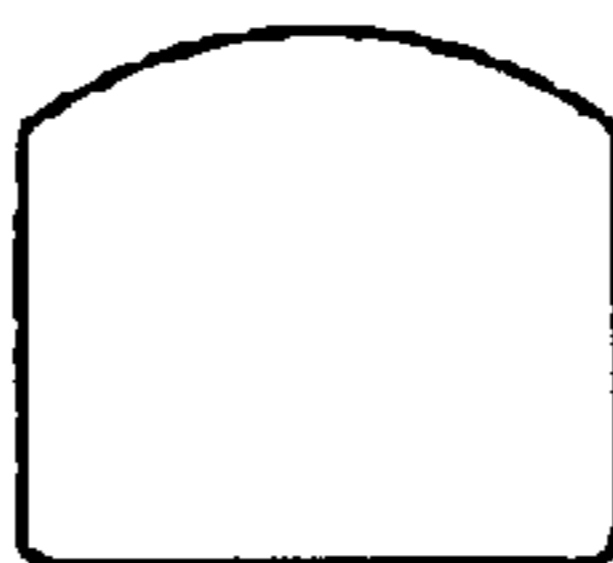


Figure 4
© 2003 Monster, LLC

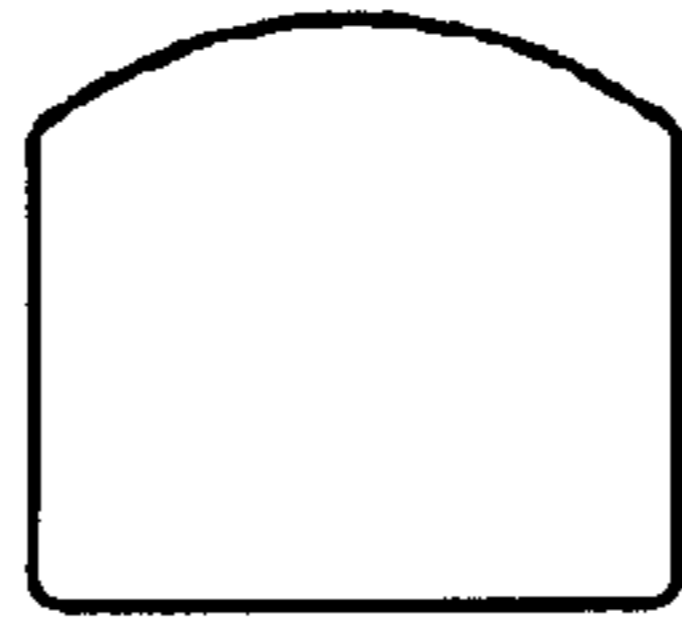


Figure 5
© 2003 Monster, LLC

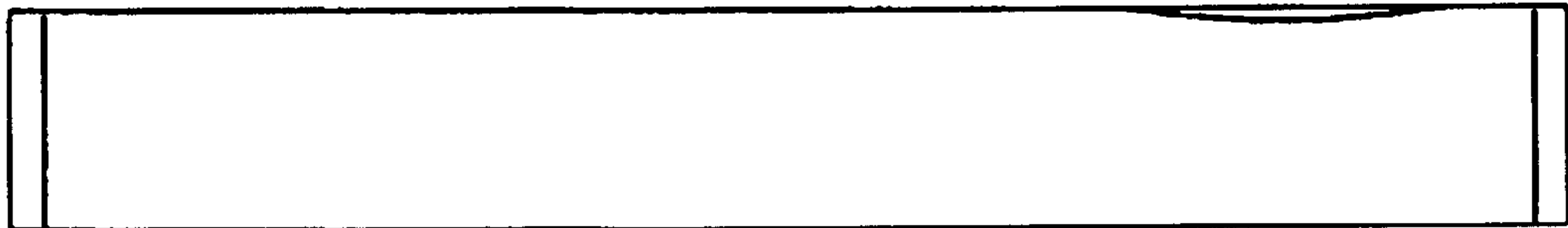


Figure 6
© 2003 Monster, LLC

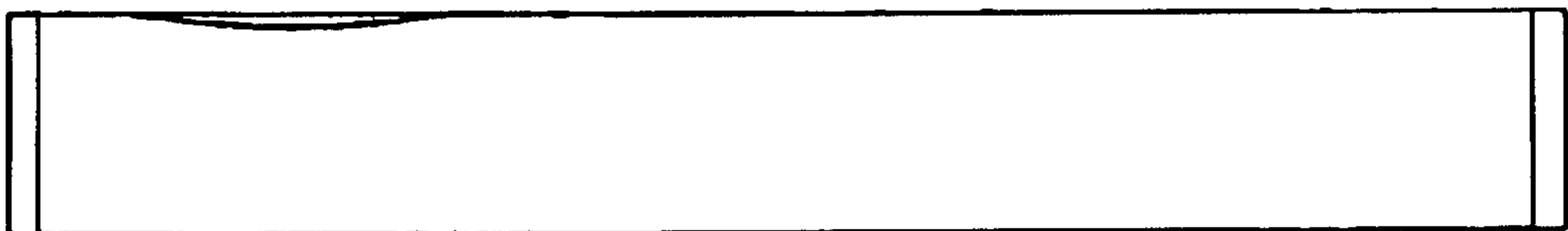


Figure 7
© 2003 Monster, LLC