



US00D490371S

(12) **United States Design Patent**
Lee et al.

(10) **Patent No.:** **US D490,371 S**

(45) **Date of Patent:** **** May 25, 2004**

(54) **PLASMA POWER CENTER**

(75) Inventors: **Kendrew Lee**, Fremont, CA (US); **Noel Lee**, Las Vegas, NV (US)

(73) Assignee: **Monster, LLC**, Las Vegas, NV (US)

(**) Term: **14 Years**

(21) Appl. No.: **29/189,191**

(22) Filed: **Aug. 29, 2003**

(51) **LOC (7) Cl.** **13-02**

(52) **U.S. Cl.** **D13/110**

(58) **Field of Search** D13/101, 110,
D13/112, 113, 114, 123, 199; 307/66, 150;
363/144; 439/318

(56) **References Cited**

U.S. PATENT DOCUMENTS

6,189,485	B1	*	2/2001	Matsuda et al.	118/723	E
D458,218	S	*	6/2002	Reynolds	D13/110	
6,522,071	B1	*	2/2003	Park et al.	313/582	
2003/0085853	A1	*	5/2003	Shiiki et al.	345/60	
2003/0129107	A1	*	7/2003	Denes et al.	422/186.21	
2003/0140982	A1	*	7/2003	Seki et al.	141/1	
2003/0186613	A1	*	10/2003	Kawase	445/60	

* cited by examiner

Primary Examiner—Philip S. Hyder

Assistant Examiner—Daniel Bui

(74) *Attorney, Agent, or Firm*—LaRiviere, Grubman & Payne, LLP

(57) **CLAIM**

The ornamental design for a plasma power center, as shown.

DESCRIPTION

FIG. 1 is a perspective view of a plasma power center, in accordance with the present invention.

FIG. 2 is a top view of a plasma power center, in accordance with the present invention.

FIG. 3 is a bottom view of a plasma power center, in accordance with the present invention.

FIG. 4 is a right side view of a plasma power center, in accordance with the present invention.

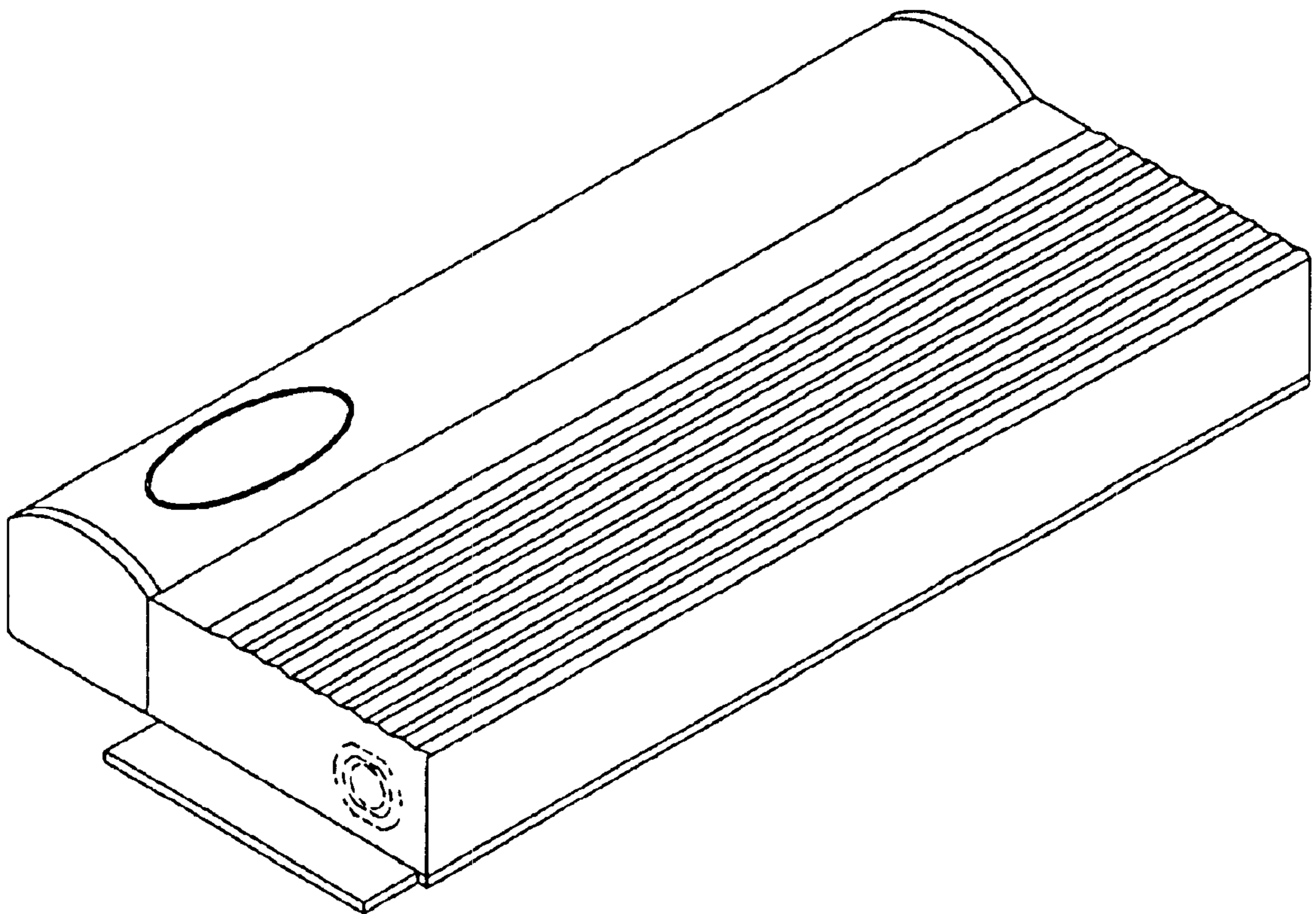
FIG. 5 is a left side view of a plasma power center, in accordance with the present invention.

FIG. 6 is a rear view of a plasma power center, in accordance with the present invention; and,

FIG. 7 is a frontal view of a plasma power center, in accordance with the present invention.

The broken line showing of the environment is for illustrative purposes only and forms no part of the claimed design.

1 Claim, 3 Drawing Sheets



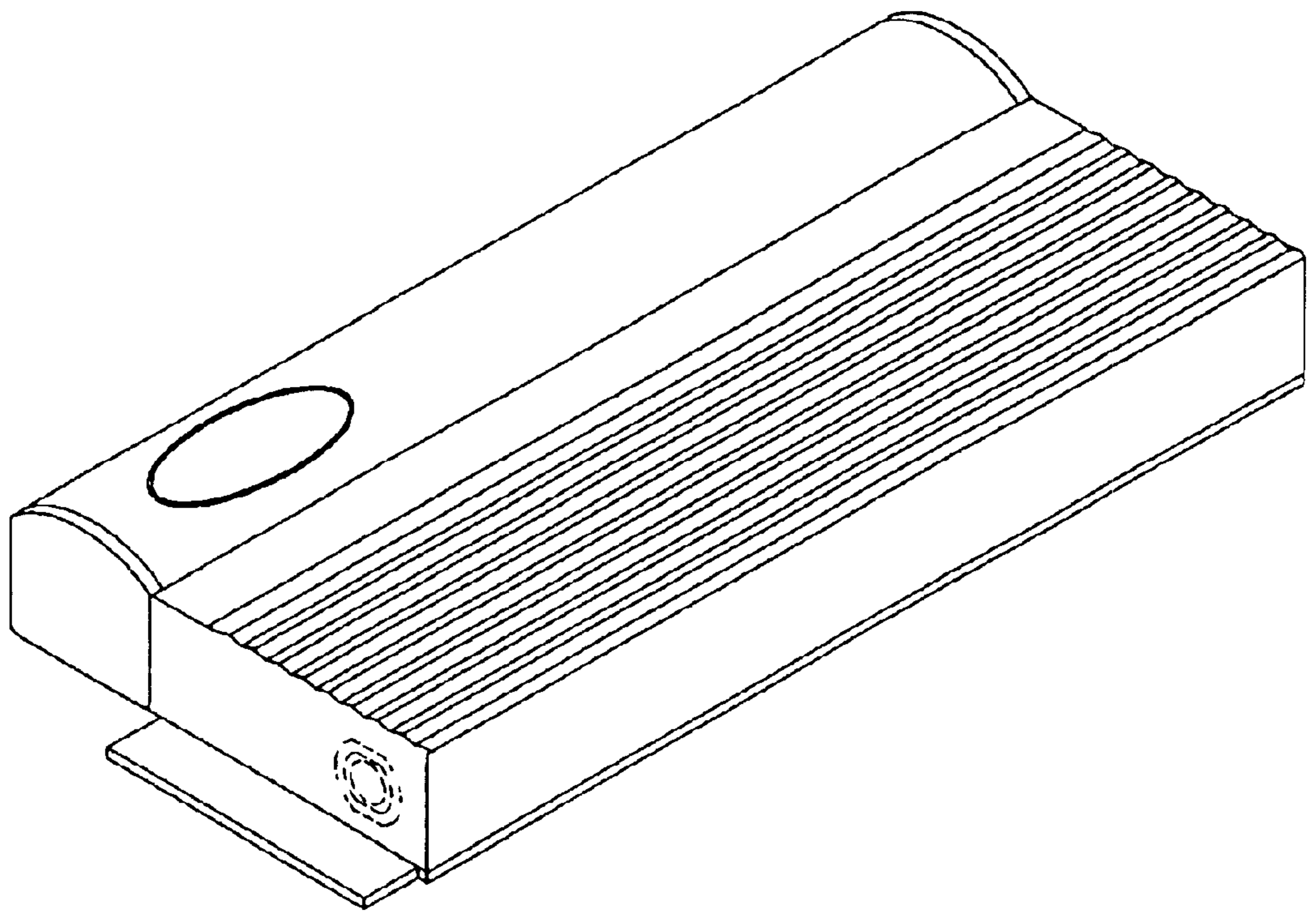


Figure 1

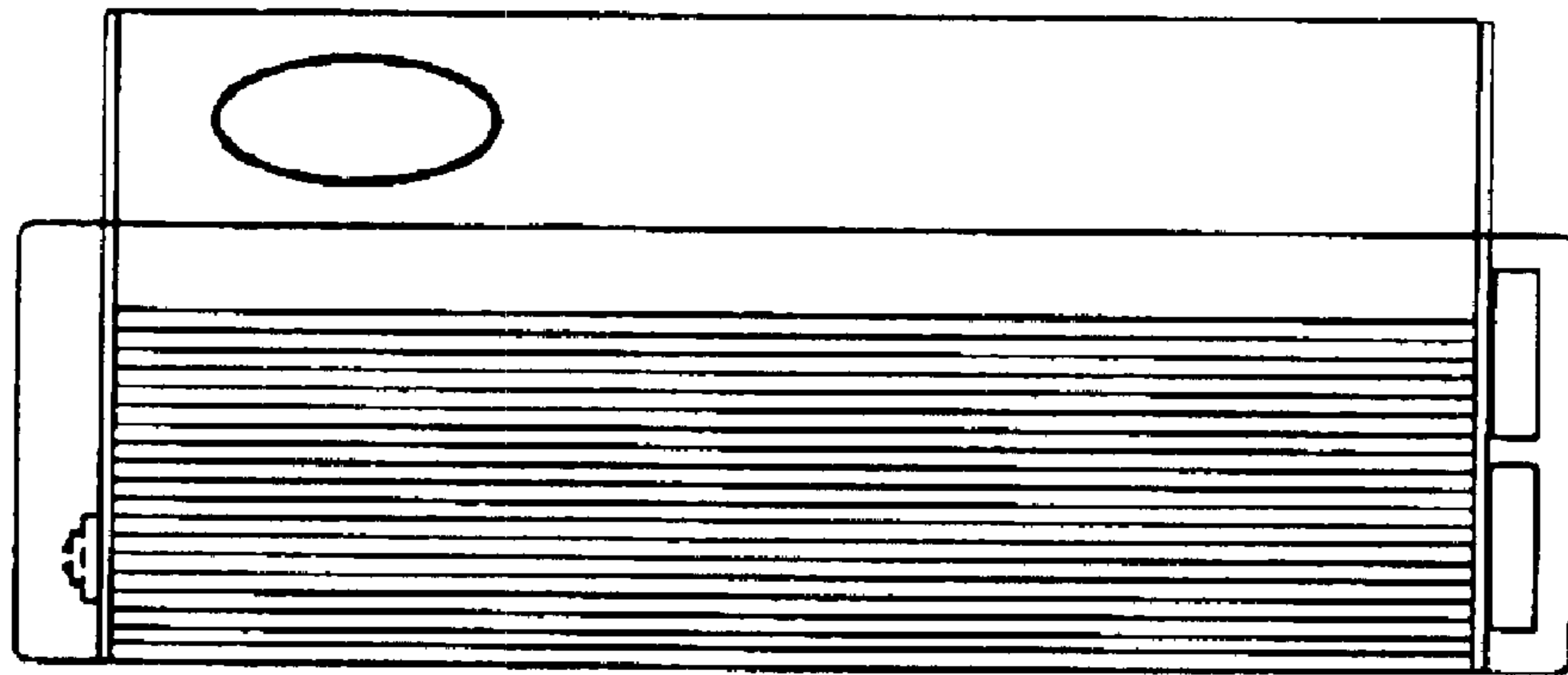


Figure 2

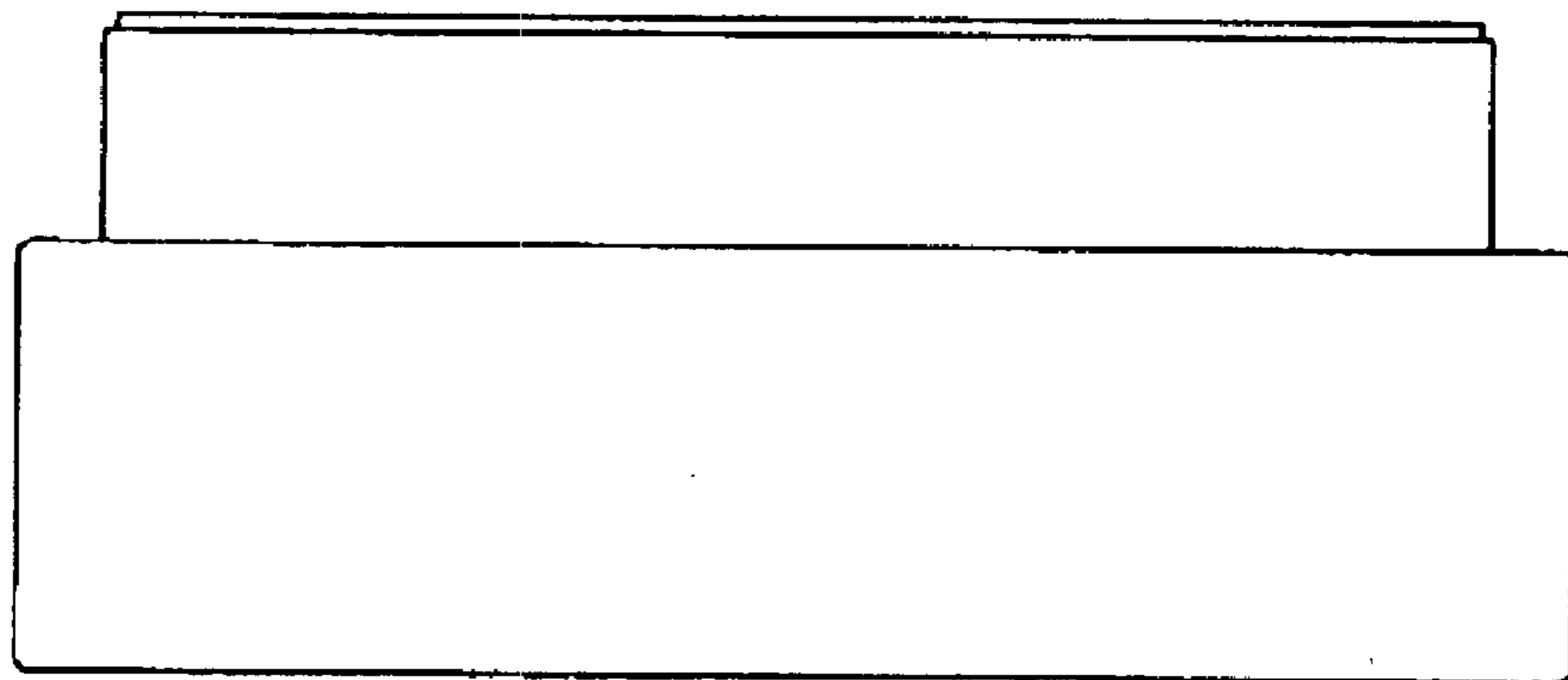


Figure 3



Figure 4

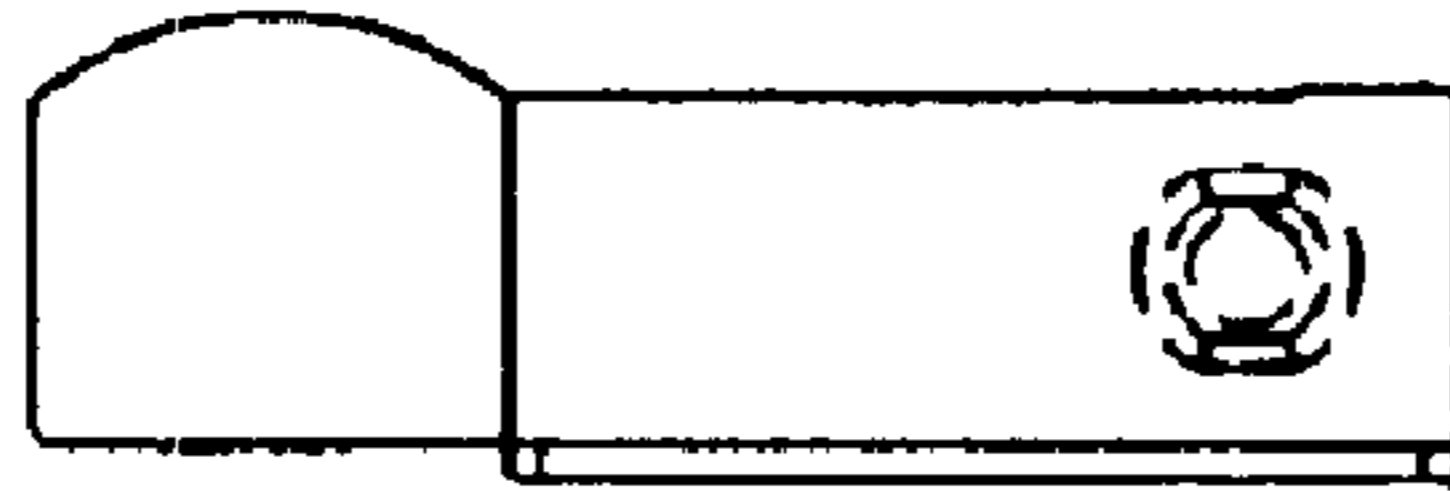


Figure 5

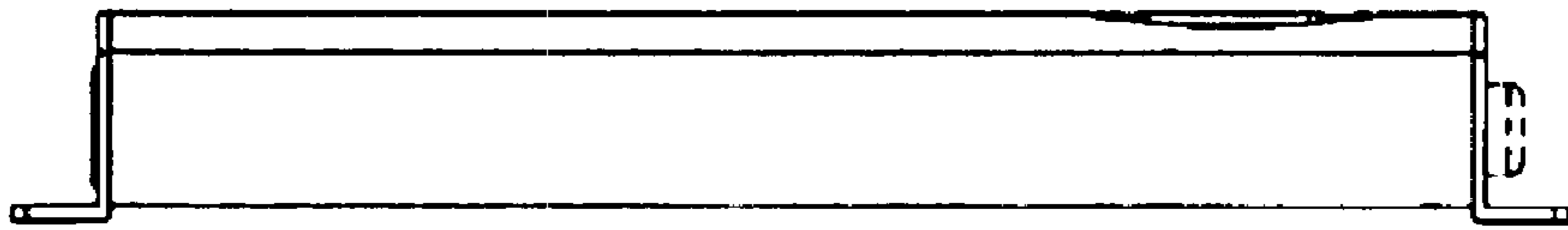


Figure 6

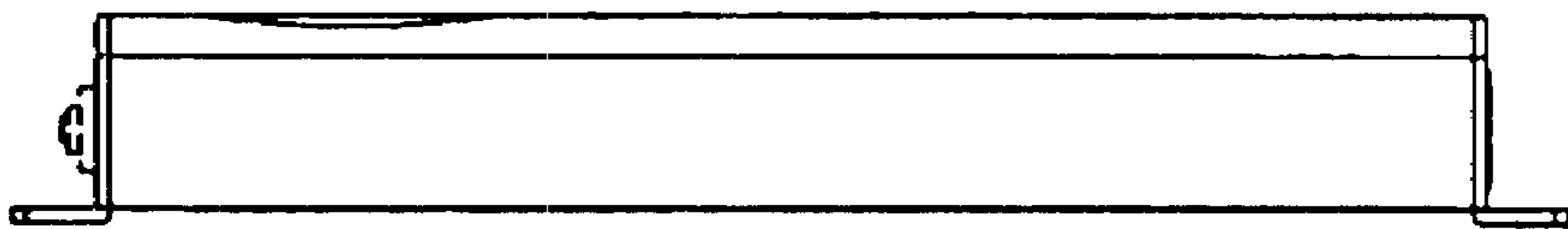


Figure 7