



US00D490369S

(12) **United States Design Patent** (10) **Patent No.:** **US D490,369 S**
Lassan et al. (45) **Date of Patent:** **** May 25, 2004**

(54) **TIRE TREAD**

(75) Inventors: **Timothy J. Lassan**, Kent, OH (US);
James G. Guspodin, Akron, OH (US);
Thomas J. Walton, Uniontown, OH (US)

(73) Assignee: **Bridgestone/Firestone North American Tire, LLC**, Nashville, TN (US)

(**) Term: **14 Years**

(21) Appl. No.: **29/179,579**

(22) Filed: **Apr. 10, 2003**

(51) **LOC (7) Cl.** **12-15**

(52) **U.S. Cl.** **D12/603**

(58) **Field of Search** D12/544, 546, D12/583, 587, 588, 592, 593, 594, 595, 596, 597, 600, 601, 602, 603, 900; 152/209.1, 209.8, 209.9, 209.12, 209.13, 209.18, 209.19, 209.25, 209.28

(56) **References Cited**

U.S. PATENT DOCUMENTS

D314,169 S	1/1991	Covert et al.	
D362,219 S	9/1995	McKisson	
D390,176 S	2/1998	Maxwell	
D418,781 S	1/2000	Vineste	
D419,500 S	1/2000	Edwards	
D426,179 S	6/2000	Fierro et al.	
D444,743 S	* 7/2001	Labbe et al. D12/596

D445,372 S	7/2001	Lassan et al.	
D449,257 S	* 10/2001	Schad et al. D12/601
D450,268 S	11/2001	Dixon et al.	
D458,587 S	6/2002	Shimizu et al.	
D479,187 S	* 9/2003	Buresh et al. D12/603

* cited by examiner

Primary Examiner—Robert M. Spear
(74) *Attorney, Agent, or Firm*—Michael Sand; Michael R. Huber

(57) **CLAIM**

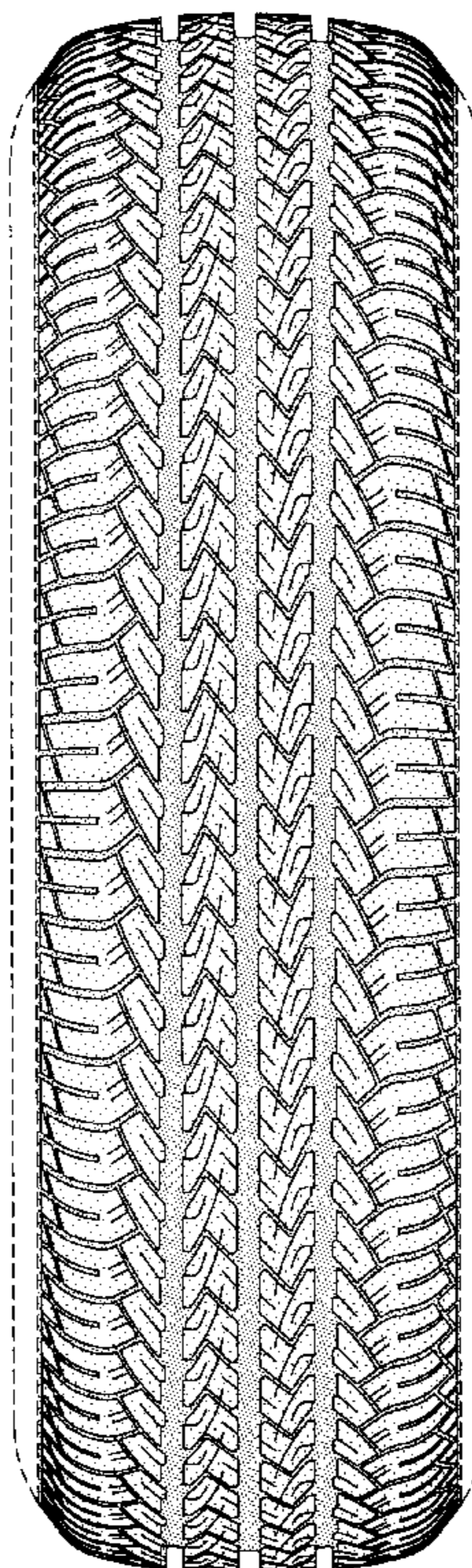
The ornamental design for a tire tread, as shown and described.

DESCRIPTION

FIG. 1 is a side perspective view of a tire tread showing our new design, it being understood that the tread pattern is repeated throughout the circumference of the tire tread, the opposite side being the same as that shown; FIG. 2 is a front elevational view thereof; FIG. 3 is a side elevational view of the right side thereof, the opposite side being identical thereto; and, FIG. 4 is an enlarged fragmentary front view thereof. In the drawings, the dark stippled surface shading represents the recessed portion of the tread grooves, having the depth shown in FIG. 2.

The broken lines defining the tire sidewall and inner bead and the peripheral boundary between the sidewall and the claimed tire tread are for illustrative purposes only and forms no part of the claimed design.

1 Claim, 4 Drawing Sheets



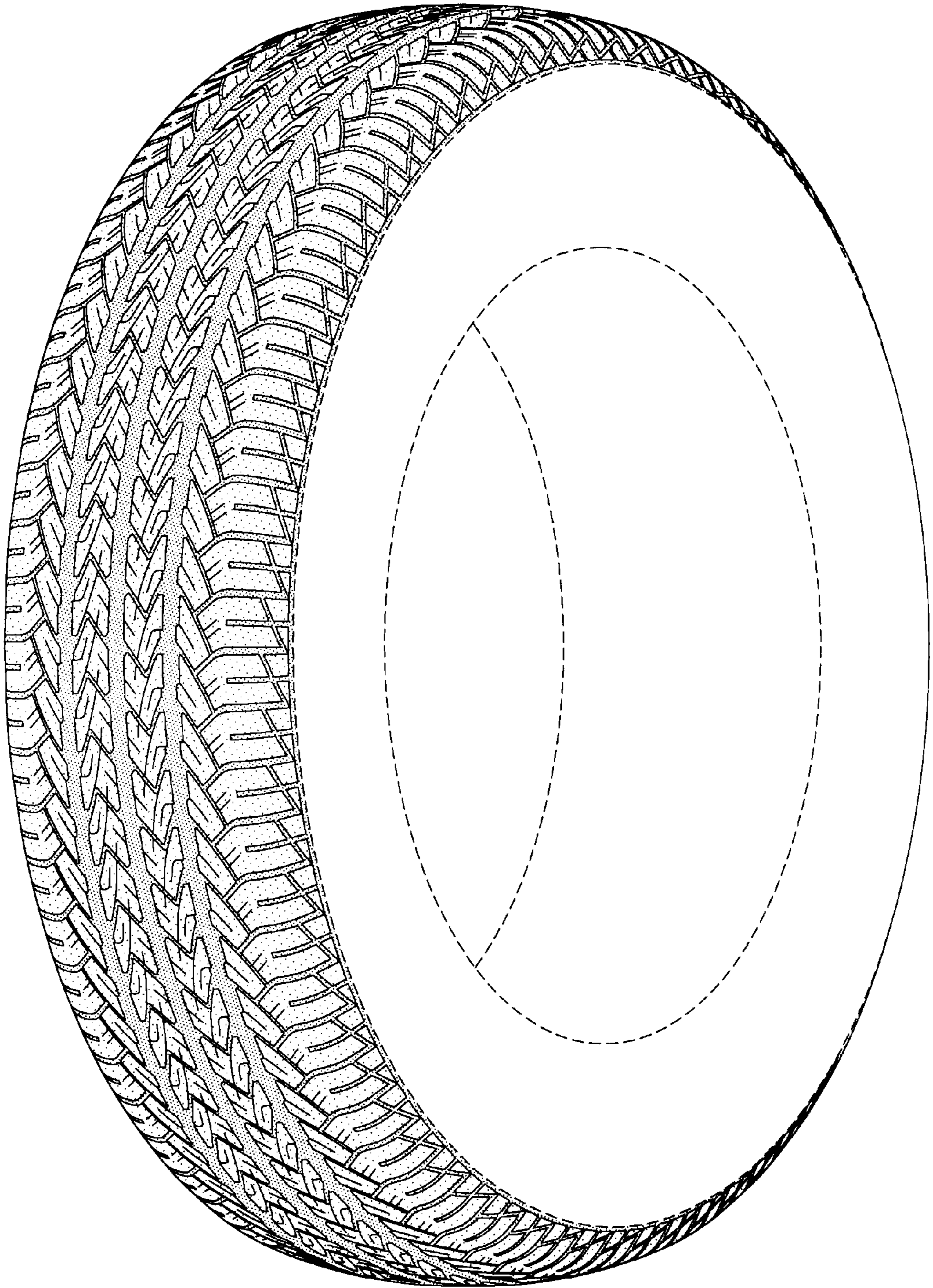


FIG-1

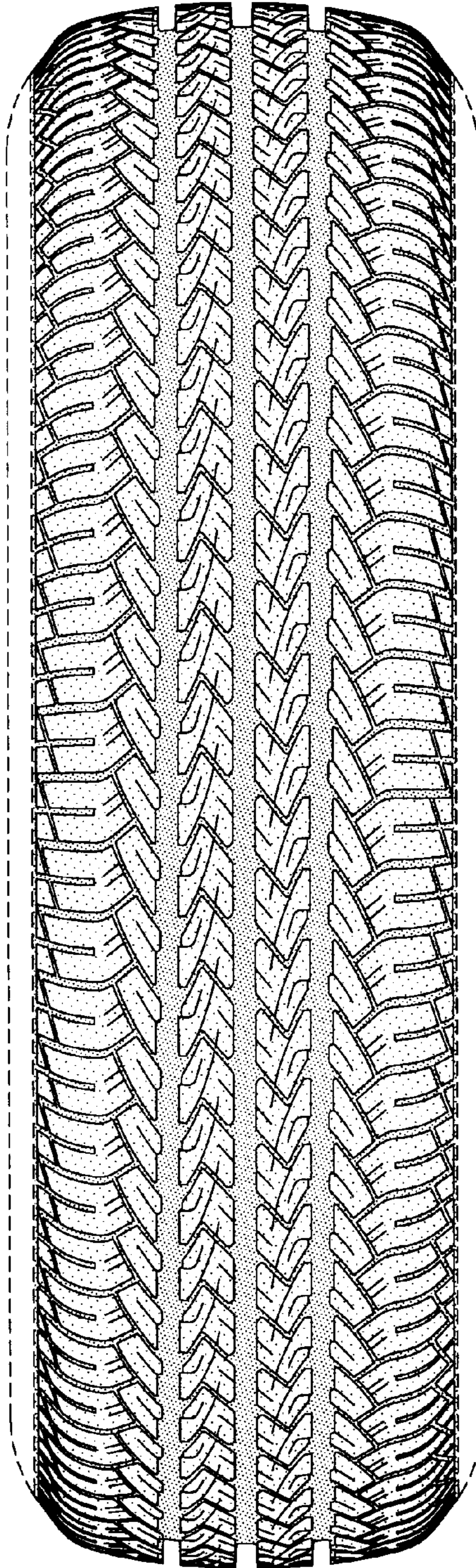


FIG-2

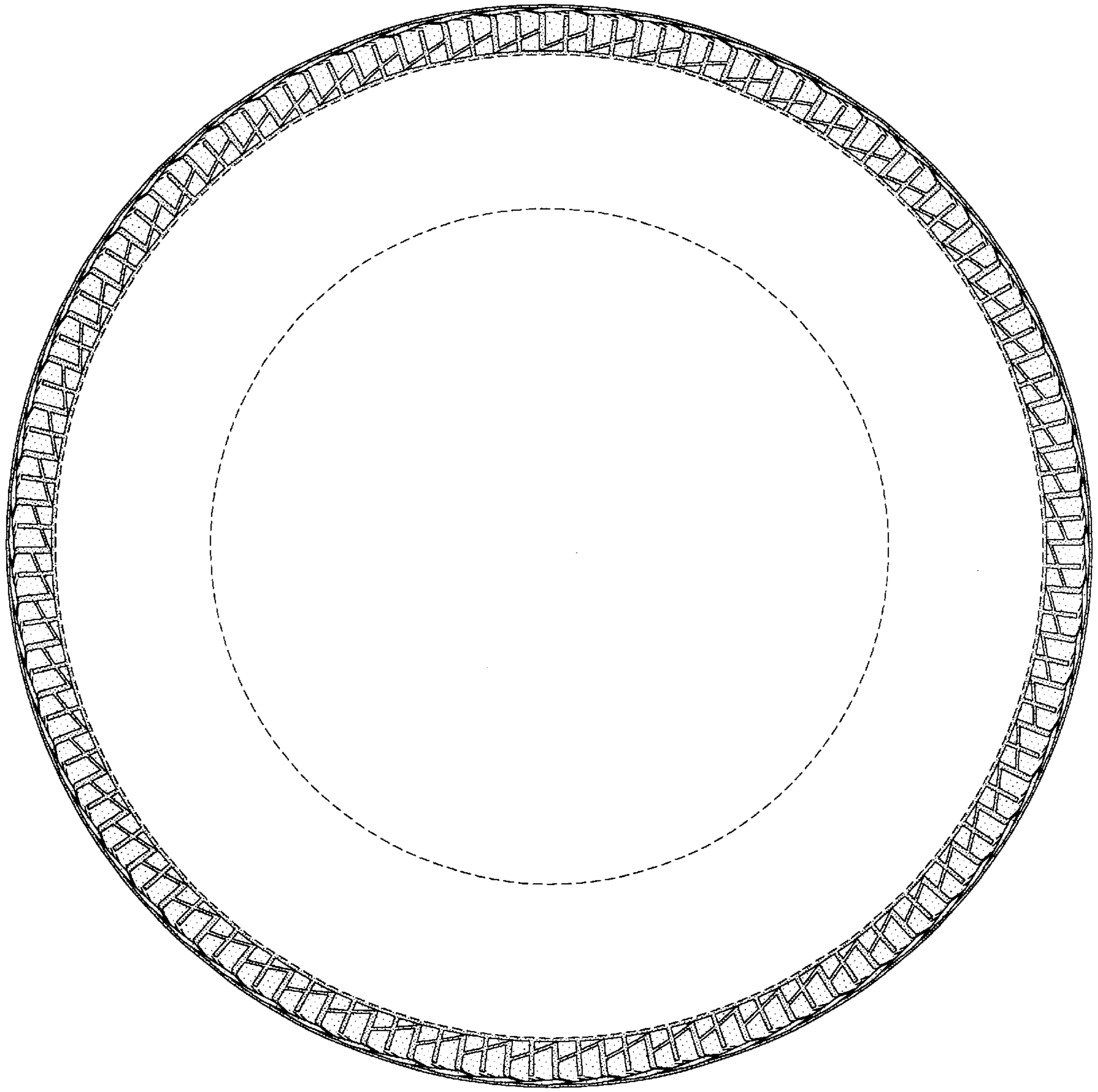


FIG-3

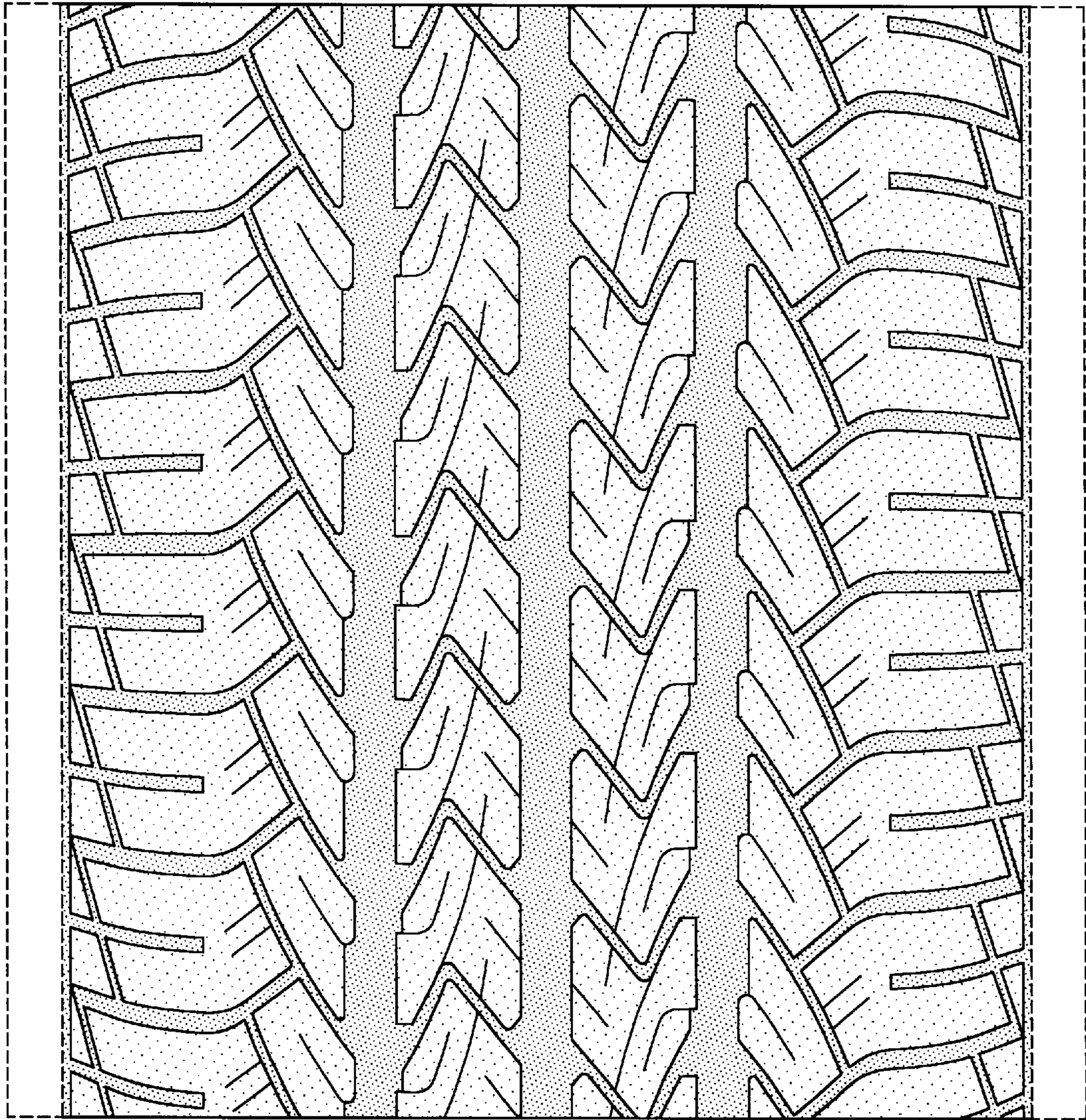


FIG-4