



US00D490358S

(12) **United States Design Patent**  
**Taniguchi**

(10) **Patent No.:** **US D490,358 S**

(45) **Date of Patent:** **\*\* May 25, 2004**

(54) **TIRE TREAD**

(75) **Inventor:** **Toyoto Taniguchi, Kobe (JP)**

(73) **Assignee:** **The Goodyear Tire & Rubber Company, Akron, OH (US)**

(\*\*) **Term:** **14 Years**

(21) **Appl. No.:** **29/183,359**

(22) **Filed:** **Jun. 11, 2003**

(65) **Prior Publication Data**

(65)

(30) **Foreign Application Priority Data**

Jan. 31, 2003 (JP) ..... 2003-002200  
Jan. 31, 2003 (JP) ..... 2003-002201

(51) **LOC (7) Cl.** ..... **12-15**

(52) **U.S. Cl.** ..... **D12/534**

(58) **Field of Search** ..... D12/506, 507,  
D12/512, 535, 536, 544, 547, 570, 571,  
579, 582, 900, 901; 152/209.1, 209.11,  
209.12, 209.17, 209.19, 209.22, 209.28

(56) **References Cited**

**U.S. PATENT DOCUMENTS**

D295,159 S \* 4/1988 Mader ..... D12/535  
D470,453 S \* 2/2003 Jackson ..... D12/535  
D471,146 S \* 3/2003 Jackson ..... D12/535

**FOREIGN PATENT DOCUMENTS**

JP G2-91192 \* 5/1993

\* cited by examiner

*Primary Examiner*—Robert M. Spear

(74) *Attorney, Agent, or Firm*—David L. King; Richard B. O’Planick

(57) **CLAIM**

The ornamental design for a tire tread, as shown and described.

**DESCRIPTION**

FIG. 1 is a perspective view of a tire tread showing my new design, it being understood that the pattern repeats uniformly throughout the circumference of the tread;

FIG. 2 is a front elevational view thereof;

FIG. 3 is a right side elevational view thereof; the opposite side elevational view being a mirror image thereof;

FIG. 4 is an enlarged fragmentary front elevational view thereof;

FIG. 5 is a perspective view of an alternate embodiment of a tire tread showing my new design;

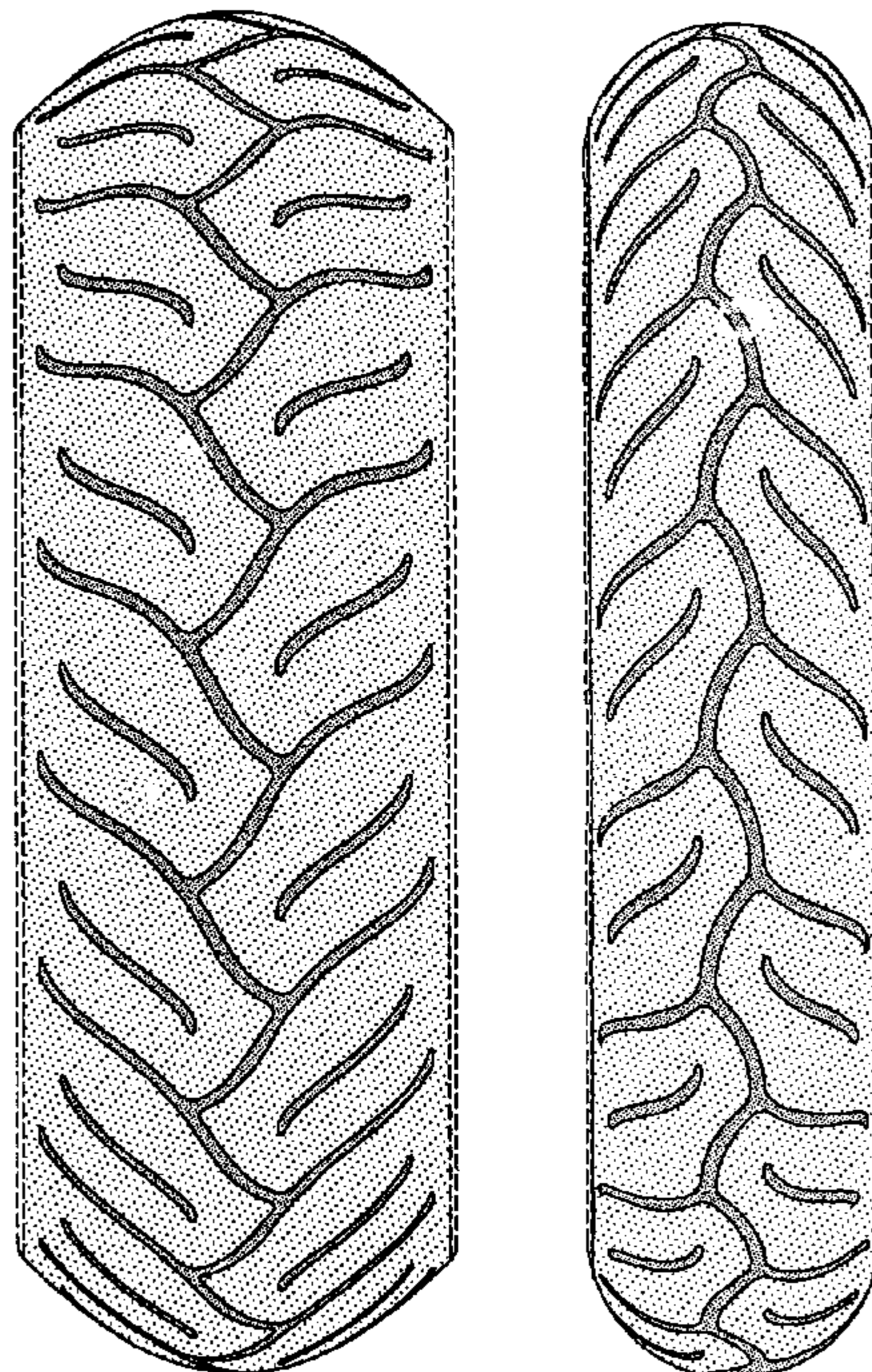
FIG. 6 is a front elevational view of the alternate embodiment;

FIG. 7 is a right side elevational view of the alternate embodiment; the opposite side elevational view being a mirror image thereof; and,

FIG. 8 is an enlarged fragmentary front elevational view of the alternate embodiment.

In the drawings, the broken lines defining the sidewall, inner bead and the peripheral boundary between the tire tread and the sidewall are for illustrative purposes only and form no part of the claimed design.

**1 Claim, 8 Drawing Sheets**



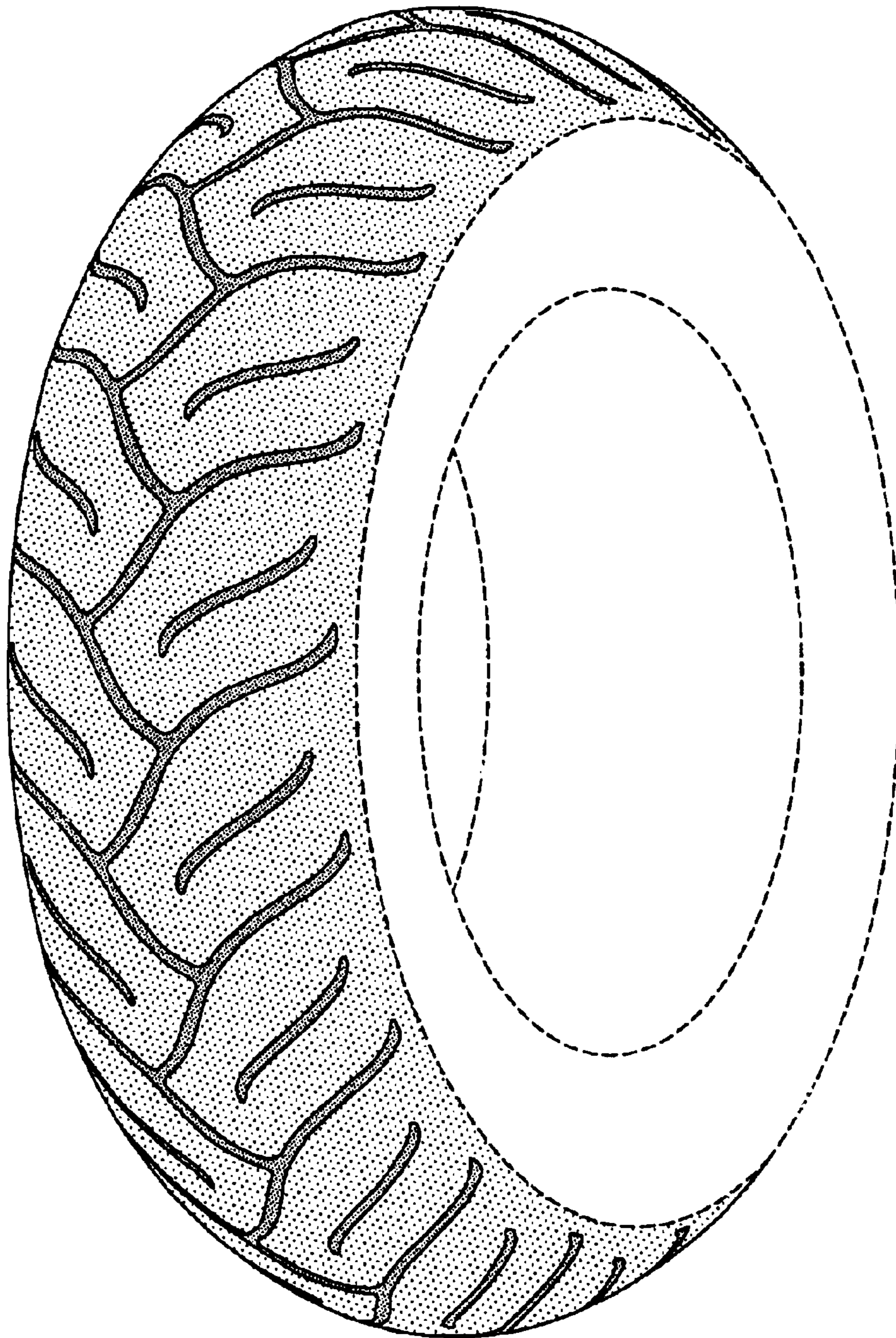


FIG-1



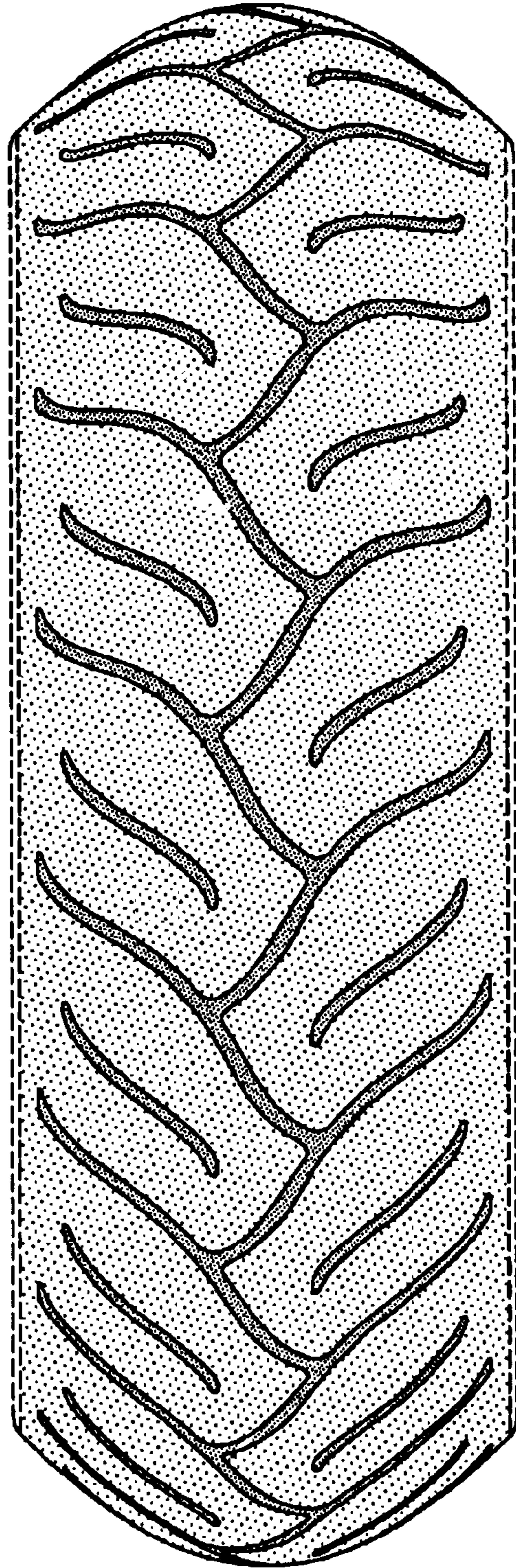


FIG-2

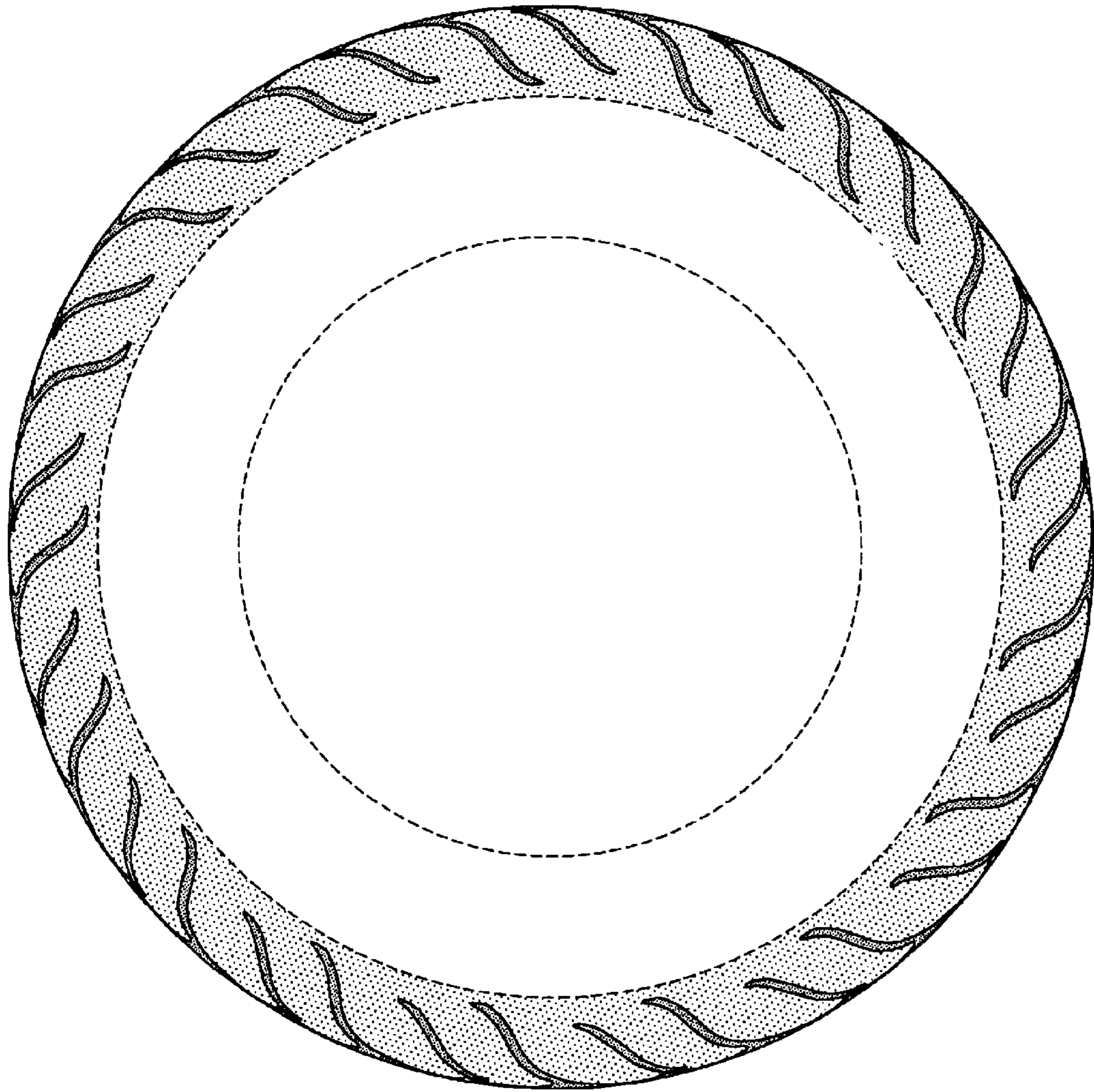


FIG-3



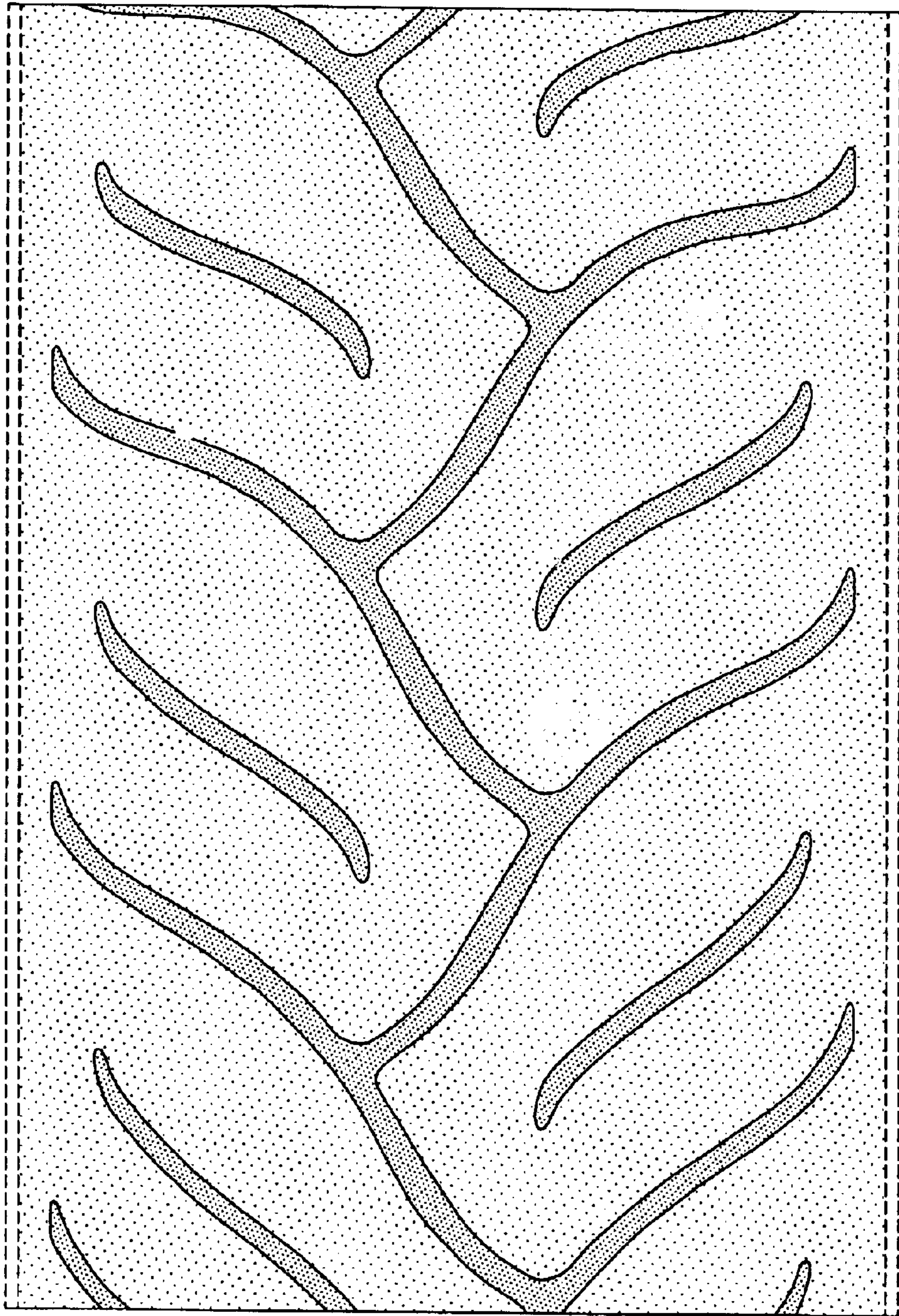


FIG-4

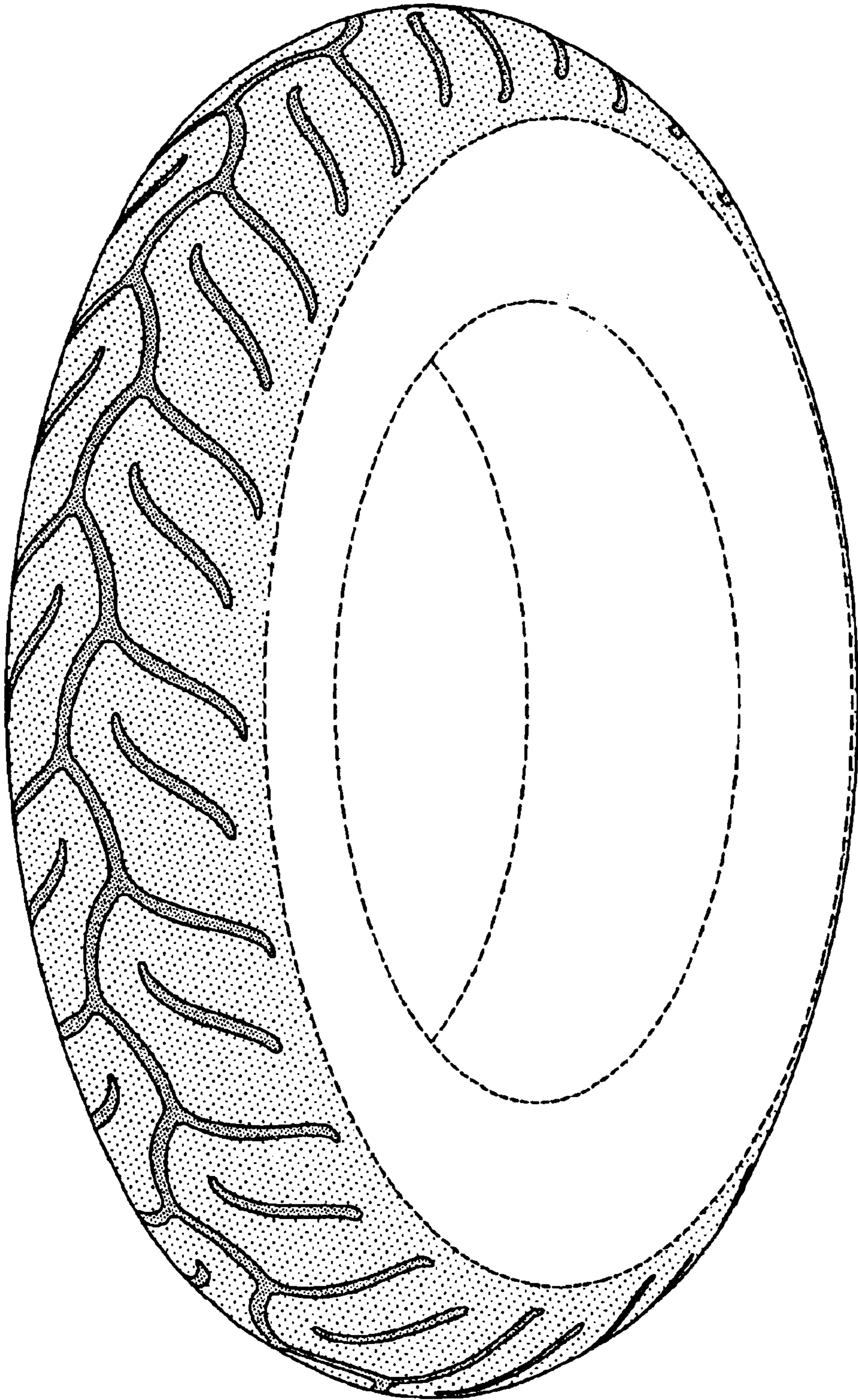


FIG-5



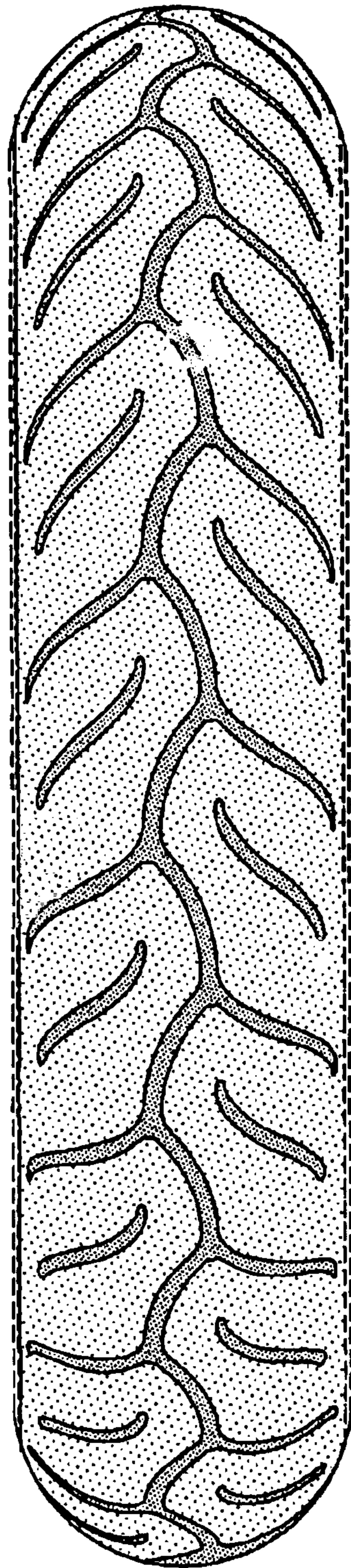


FIG-6

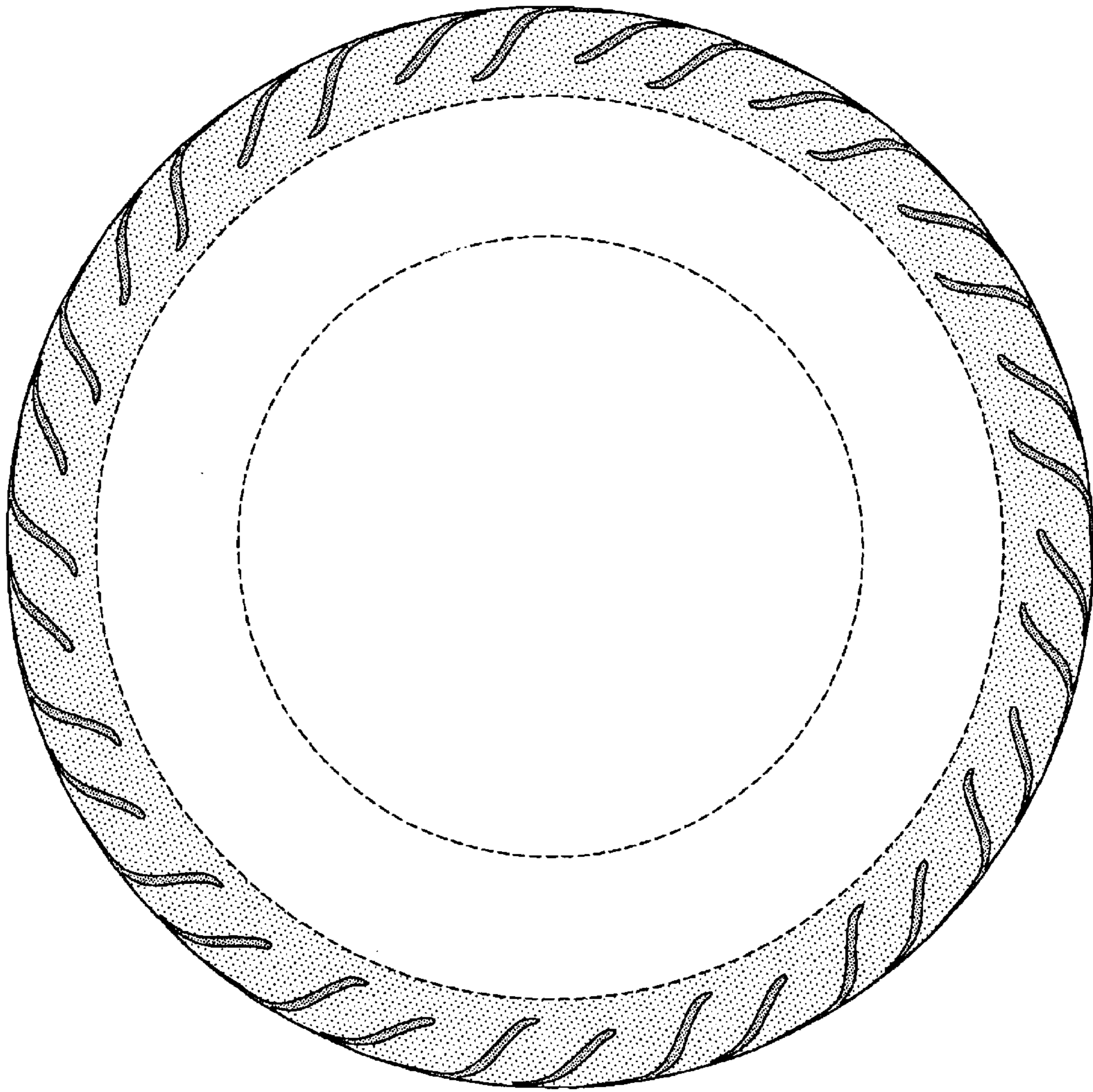


FIG-7



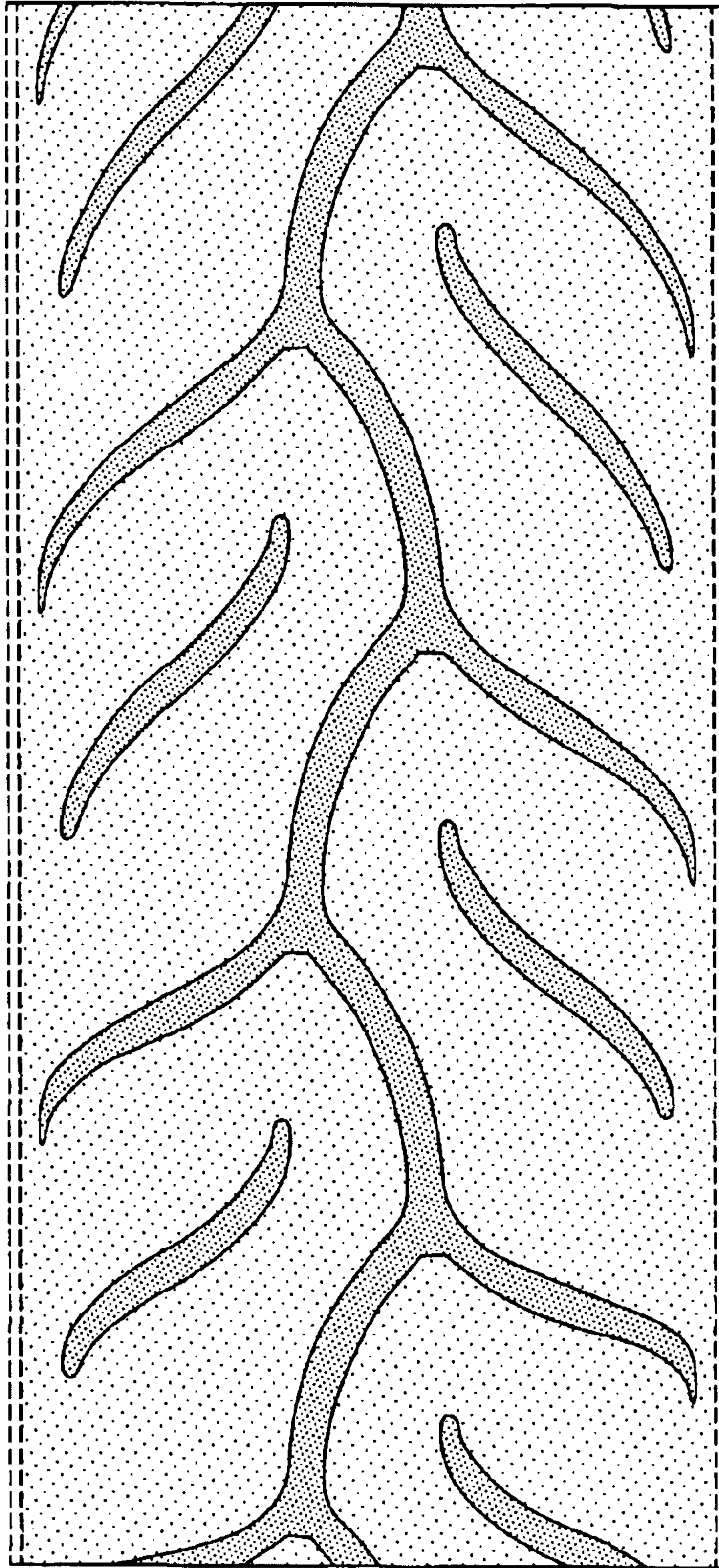


FIG-8