



US00D490356S

(12) **United States Design Patent**
Ratajczek

(10) **Patent No.:** **US D490,356 S**

(45) **Date of Patent:** **** May 25, 2004**

(54) **ATV LIGHTBAR**

(75) **Inventor:** **James Ratajczek**, Beaver Dam, WI (US)

(73) **Assignee:** **Kolpin Outdoors, Inc.**, Fox Lake, WI (US)

(**) **Term:** **14 Years**

(21) **Appl. No.:** **29/172,038**

(22) **Filed:** **Dec. 4, 2002**

(51) **LOC (7) Cl.** **12-06**

(52) **U.S. Cl.** **D12/222**

(58) **Field of Search** D12/107, 114,
D12/117, 222; D26/34, 35; 280/756; 296/99.1,
205; 362/473, 484

(56) **References Cited**

U.S. PATENT DOCUMENTS

4,692,845 A	9/1987	Widhalm et al.	
4,696,374 A	9/1987	Hale	
4,722,030 A	1/1988	Bowden	
4,722,031 A	1/1988	Matsuyama et al.	
D305,529 S	* 1/1990	Milby et al.	D12/222
D306,848 S	* 3/1990	Macor	D12/222

D308,116 S	5/1990	Vandergriff
4,950,017 A	8/1990	Norton
4,973,082 A	11/1990	Kincheloe
5,174,622 A	12/1992	Gutta
5,961,175 A	10/1999	Clardy, Jr.
6,206,446 B1	3/2001	Slayden

* cited by examiner

Primary Examiner—Alan P. Douglas

Assistant Examiner—Linda Brooks

(74) *Attorney, Agent, or Firm*—Brian G. Gilpin; Godfrey & Kahn, S.C.

(57) **CLAIM**

The ornamental design for an ATV lightbar, as shown and described.

DESCRIPTION

FIG. 1 is a perspective view of an ATV lightbar showing the new design;

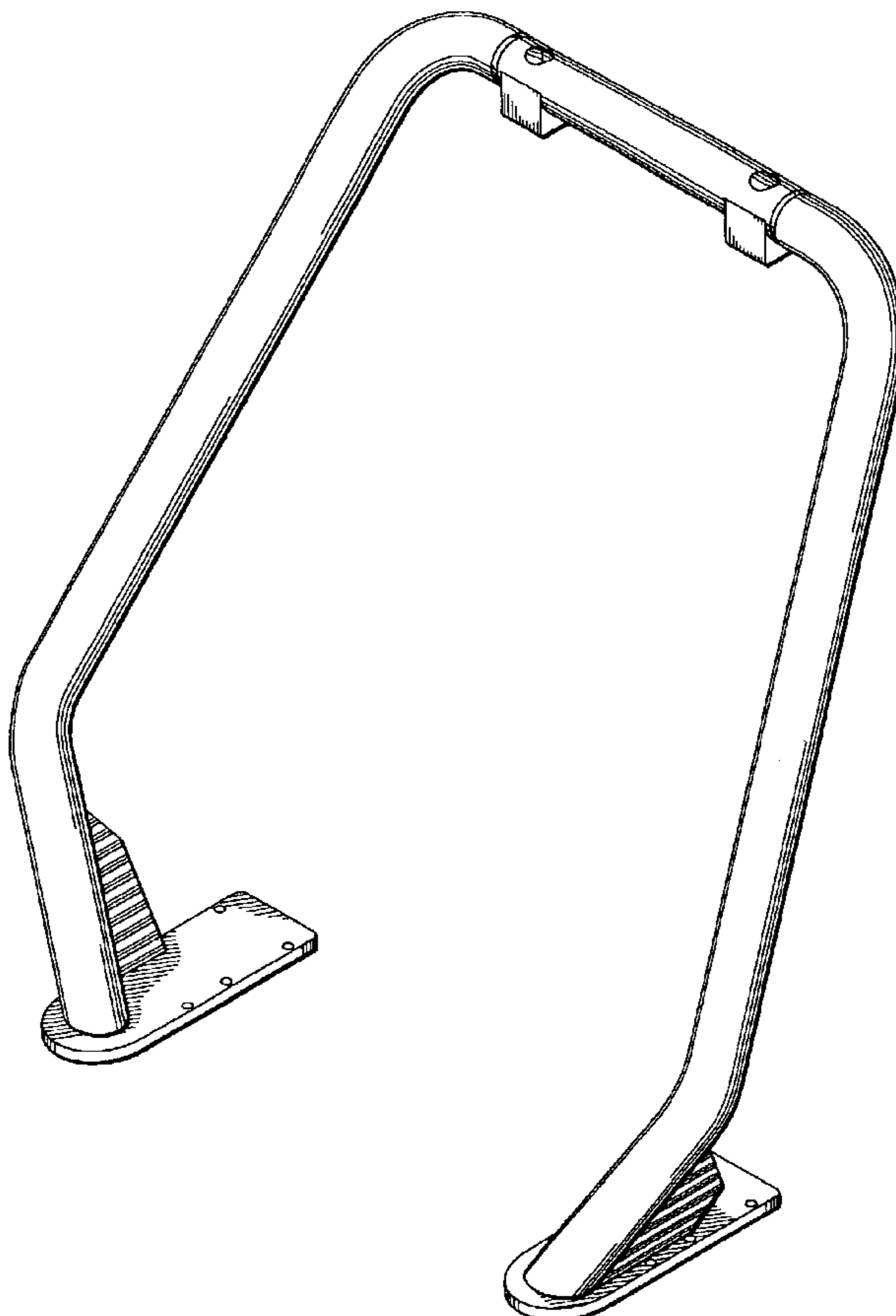
FIG. 2 is a front view thereof on a reduced scale;

FIG. 3 is a left side view of FIG. 2, right side is a mirror thereof;

FIG. 4 is a top plan view of FIG. 2; and,

FIG. 5 is a bottom plan view of FIG. 2.

1 Claim, 3 Drawing Sheets



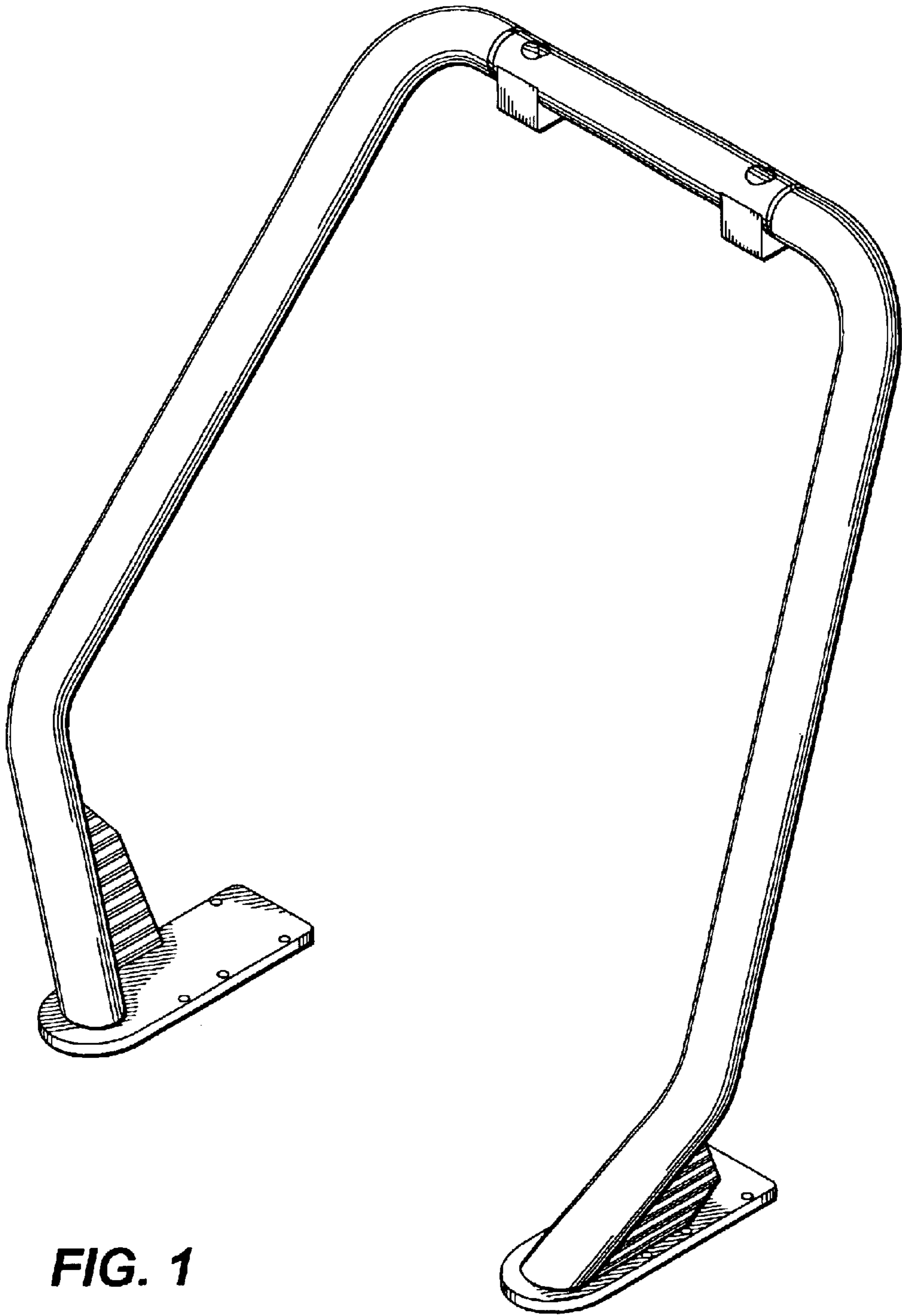


FIG. 1

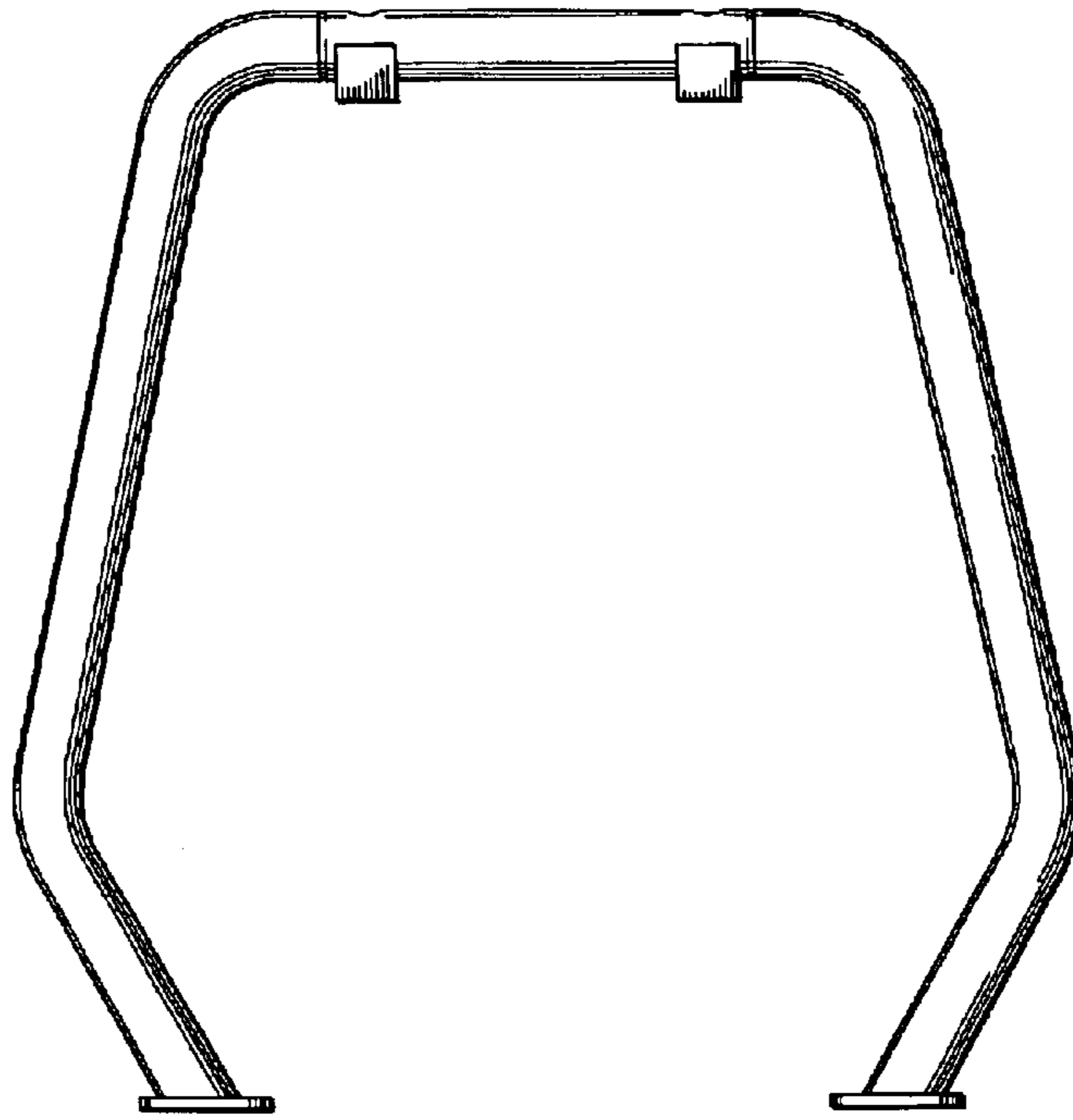


FIG. 2

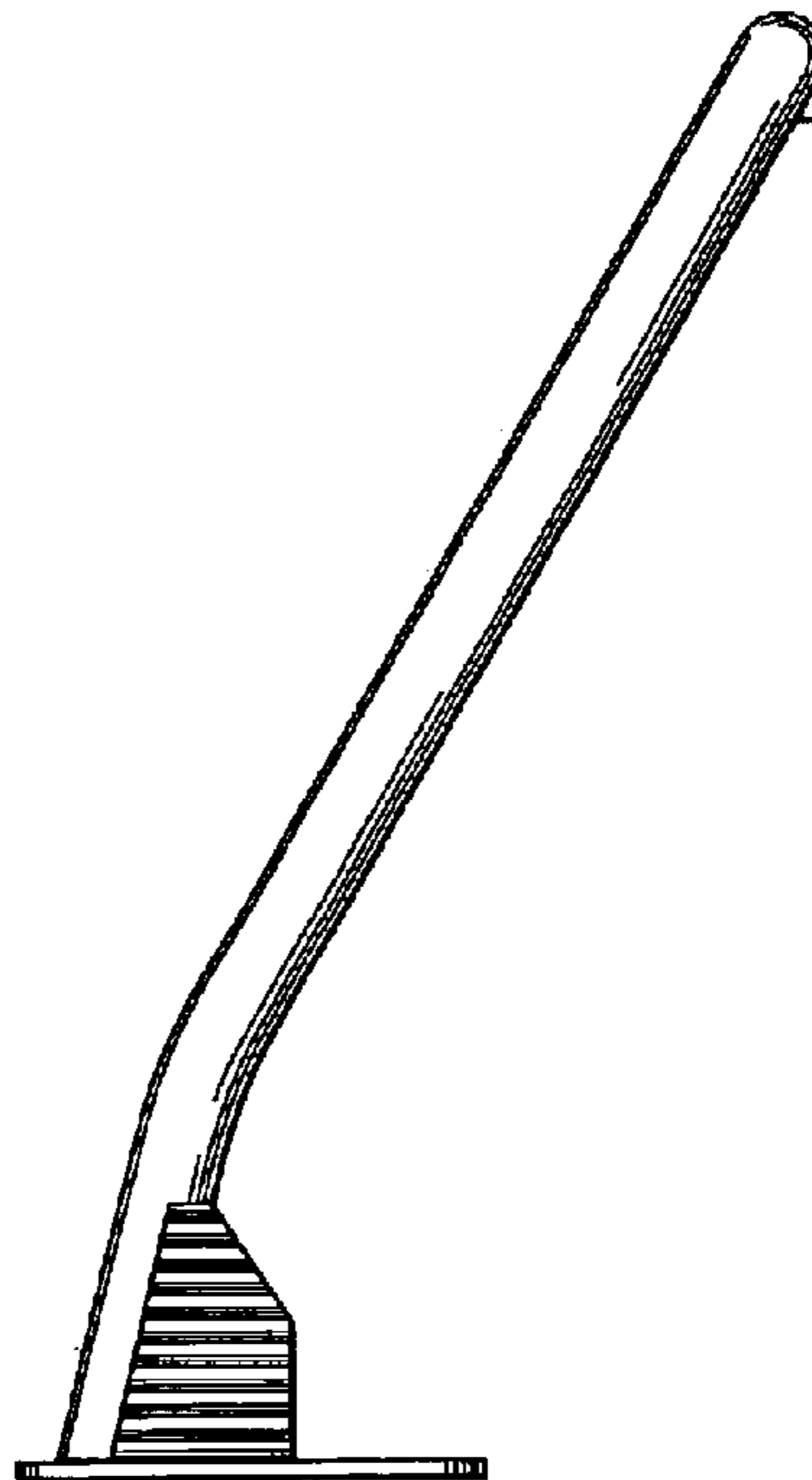


FIG. 3

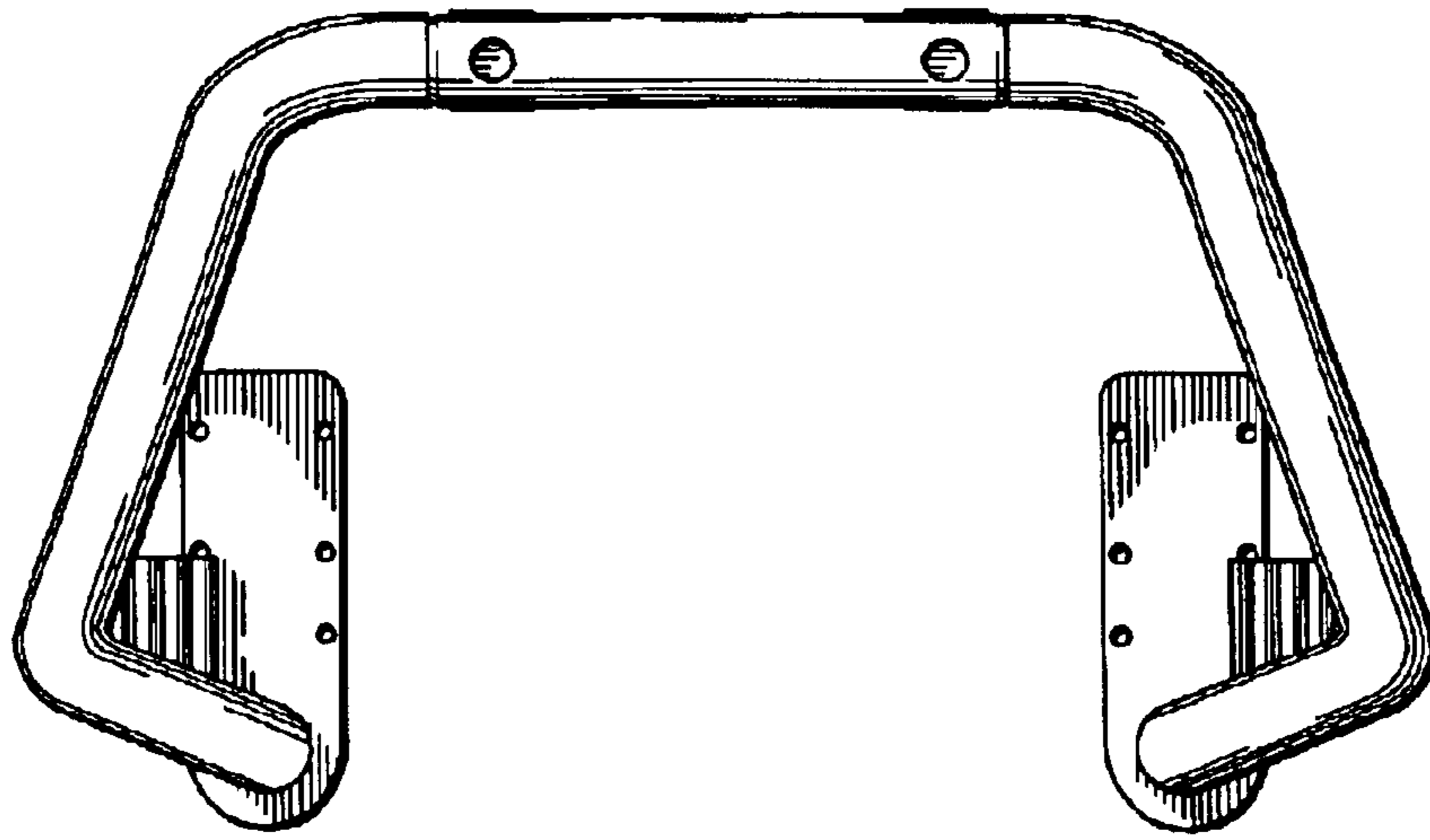


FIG. 4

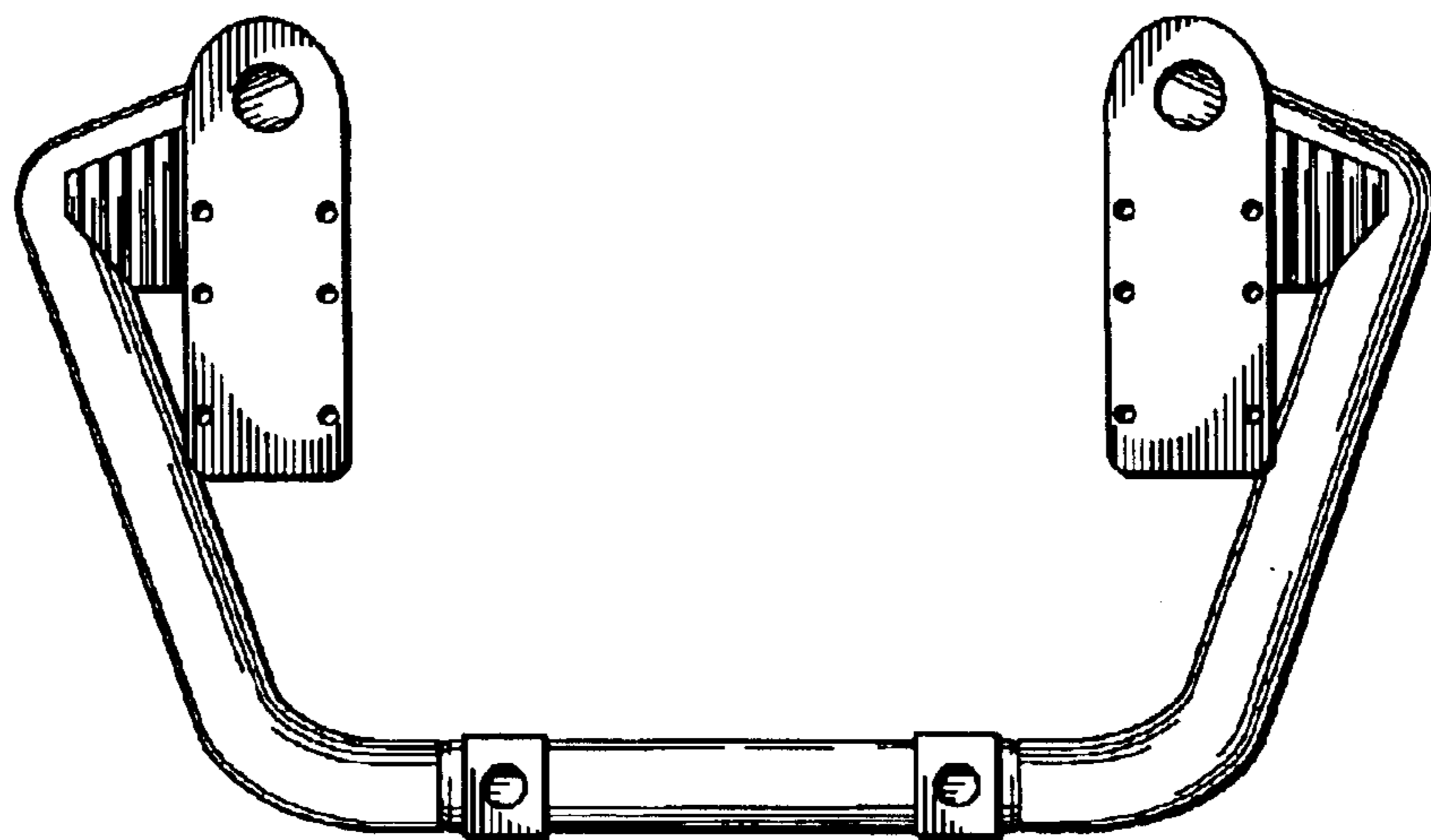


FIG. 5