



US00D490354S

(12) **United States Design Patent**
Kataoka

(10) **Patent No.:** **US D490,354 S**

(45) **Date of Patent:** **** May 25, 2004**

(54) **WHEEL**

(75) **Inventor:** **Tatsuya Kataoka, Ota (JP)**

(73) **Assignee:** **Blingz Inc., Camarillo, CA (US)**

(**) **Term:** **14 Years**

(21) **Appl. No.:** **29/189,541**

(22) **Filed:** **Sep. 8, 2003**

(51) **LOC (7) Cl.** **12-16**

(52) **U.S. Cl.** **D12/209**

(58) **Field of Search** **D12/204-213;**
301/37.101, 64.101, 65

(56) **References Cited**

U.S. PATENT DOCUMENTS

D423,442 S	*	4/2000	Hussaini et al.	D12/209
D455,109 S	*	4/2002	Foose	D12/211
D458,204 S	*	6/2002	Kataoka	D12/209
D458,887 S	*	6/2002	Kataoka	D12/209
D466,463 S	*	12/2002	Hodges	D12/209

D468,251 S	*	1/2003	Chung	D12/211
D475,337 S		6/2003	Kataoka	D12/209
D476,282 S		6/2003	Kataoka	D12/209
D477,264 S		7/2003	Marji	D12/209
D478,539 S	*	8/2003	Brown et al.	D12/209
D480,033 S	*	9/2003	Kim	D12/209
D480,348 S	*	10/2003	Donikoglu	D12/211

* cited by examiner

Primary Examiner—Stacia Cadmus

(74) *Attorney, Agent, or Firm*—Park & Sutton LLP; John K. Park

(57) **CLAIM**

The ornamental design for a wheel, as shown and described.

DESCRIPTION

FIG. 1 is a perspective view of a wheel showing my new design; and,

FIG. 2 is a front elevational view of FIG. 1.

The broken line showing of environment is for illustrative purposes only and forms no part of the claimed design.

1 Claim, 2 Drawing Sheets

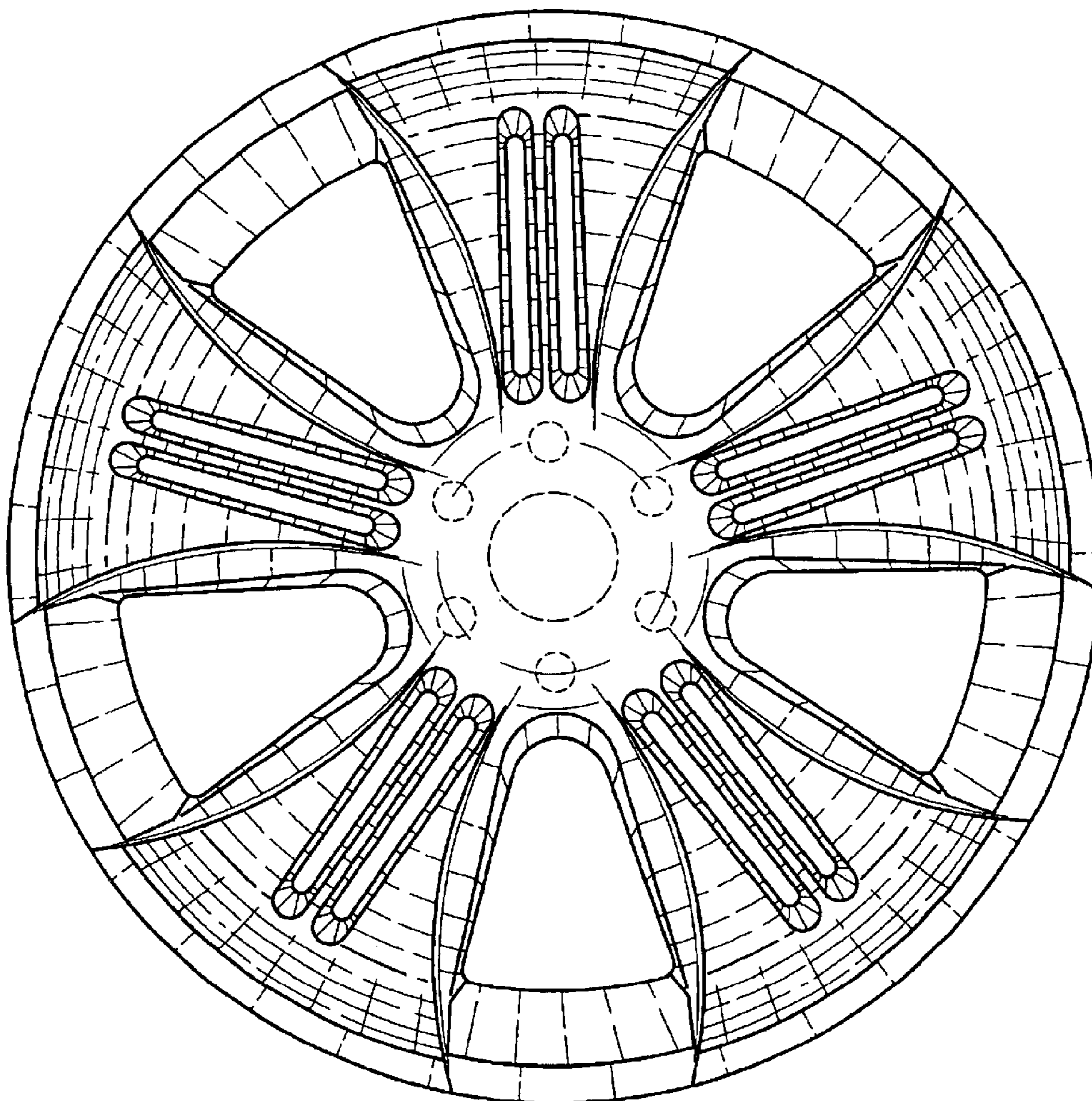


Fig. 1

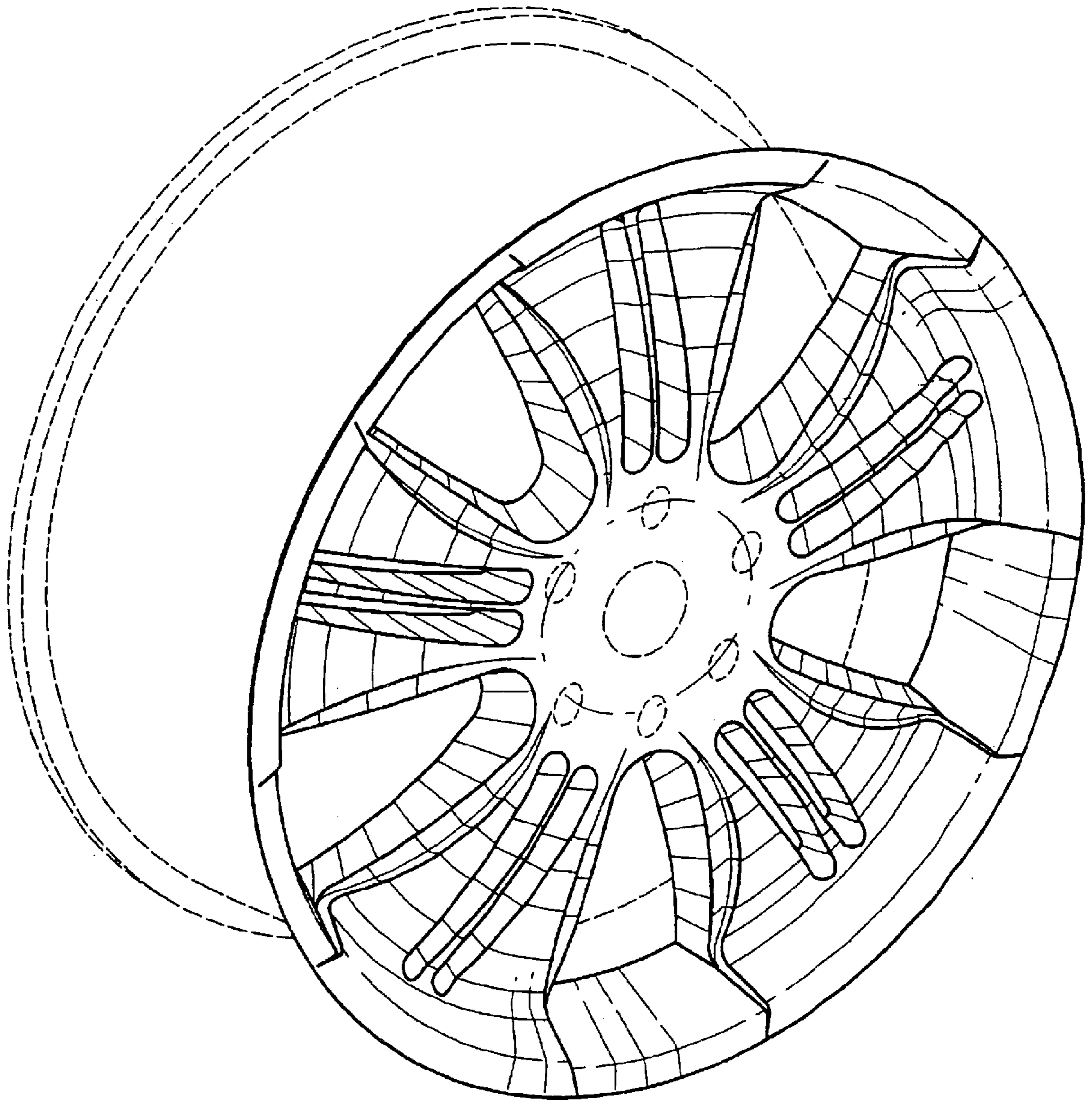


Fig. 2

