



US00D490353S

(12) **United States Design Patent**
Gale et al.

(10) **Patent No.:** **US D490,353 S**

(45) **Date of Patent:** **** May 25, 2004**

(54) **VEHICLE GRILLE/FRONT END SEGMENT**

(75) Inventors: **Jeff C Gale**, Birmingham, MI (US);
Robert B McMahan, Bloomfield Hills,
MI (US); **Norman Kleiner**, Otisville,
MI (US); **Gary D Guichard**,
Farmington Hills, MI (US); **Ralph V
Gilles**, Lake Orion, MI (US)

(73) Assignee: **DaimlerChrysler Corporation**, Auburn
Hills, MI (US)

(**) Term: **14 Years**

(21) Appl. No.: **29/189,273**

(22) Filed: **Sep. 2, 2003**

Related U.S. Application Data

(62) Division of application No. 29/173,050, filed on Dec. 20,
2002, now Pat. No. Des. 479,492.

(51) **LOC (7) Cl.** **12-16**

(52) **U.S. Cl.** **D12/196**

(58) **Field of Search** D12/90-92, 196;
296/185

(56)

References Cited

U.S. PATENT DOCUMENTS

D454,521 S	*	3/2002	Allen	D12/91
D466,053 S	*	11/2002	O'Connell et al.	D12/91
D466,443 S	*	12/2002	Faurote et al.	D12/91
D466,451 S	*	12/2002	Trostle et al.	D12/98
D472,850 S		4/2003	Frasher et al.		
D479,492 S	*	9/2003	Gale et al.	D12/91

* cited by examiner

Primary Examiner—Melody N. Brown

(74) *Attorney, Agent, or Firm*—Ralph E. Smith

(57)

CLAIM

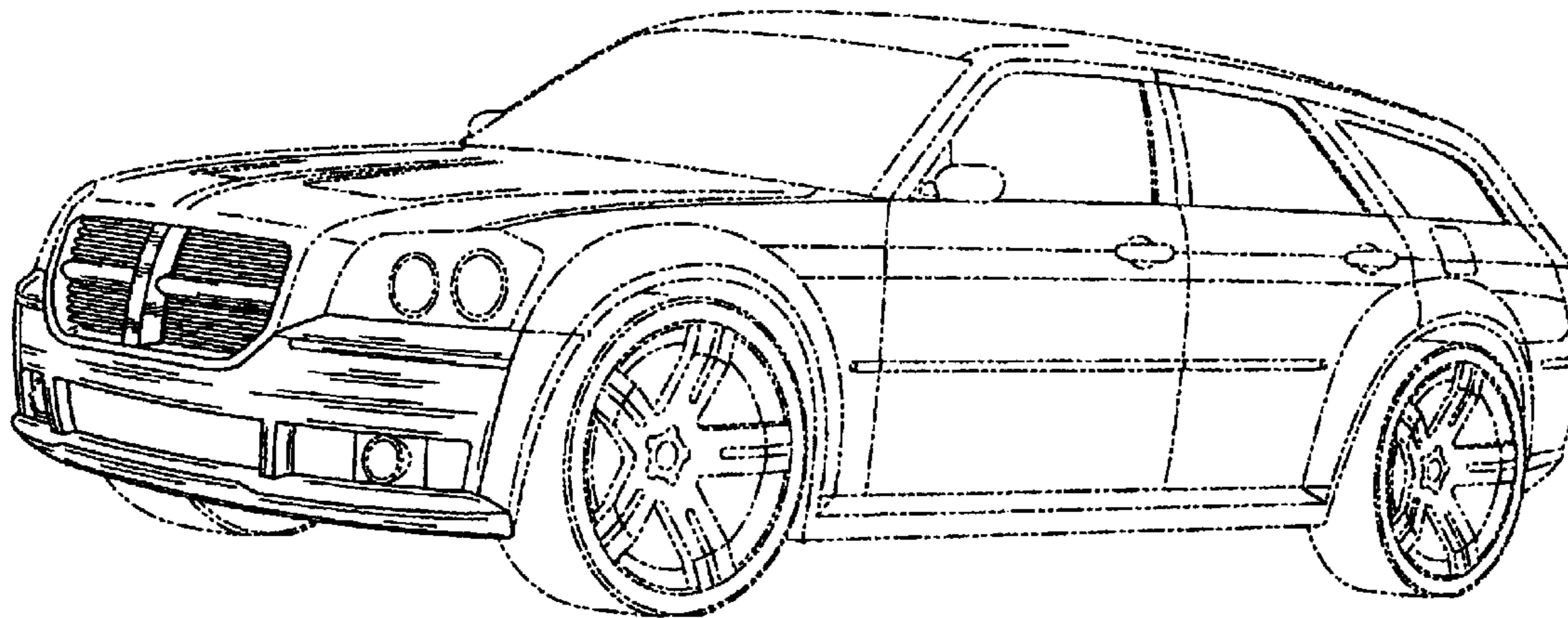
The ornamental design for a vehicle grille/front end segment, as shown and described.

DESCRIPTION

FIG. 1 is a front perspective view of a vehicle grille/front end segment showing our new design; and, FIG. 2 is a front view thereof.

It will be understood that the dashed lines presented in the drawings are for illustration only, and do not form a part of the claimed design.

1 Claim, 2 Drawing Sheets



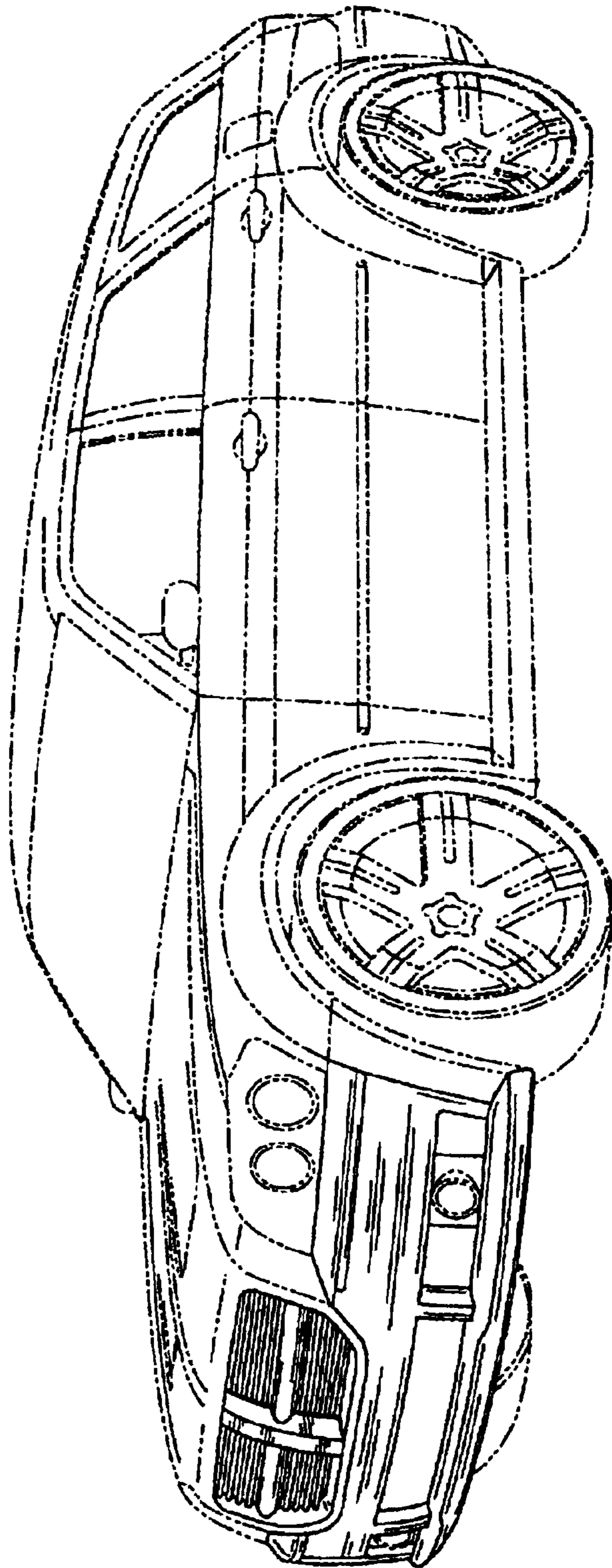


Fig. 1

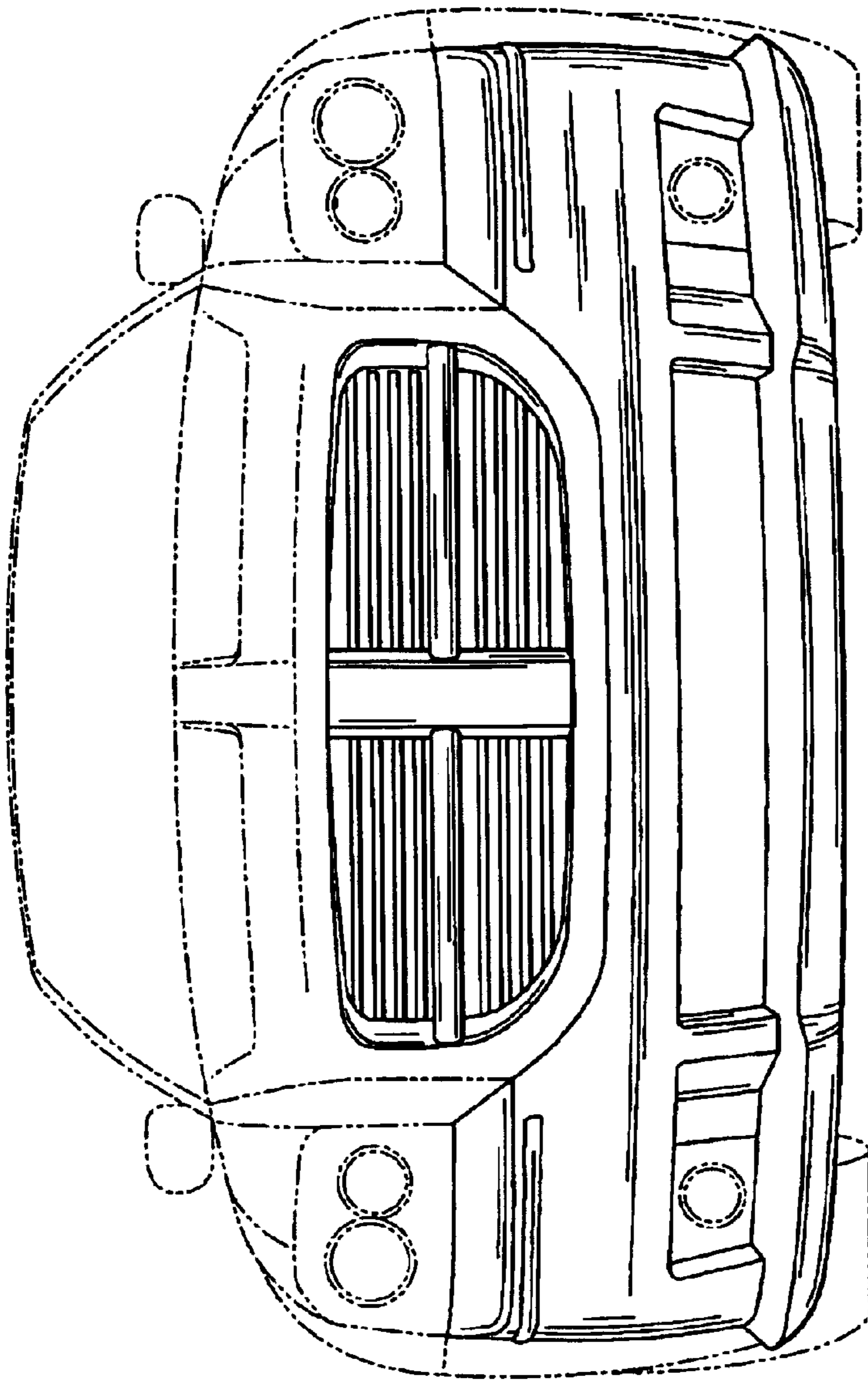


Fig. 2