



US00D490352S

(12) **United States Design Patent**  
**Ward**

(10) **Patent No.:** **US D490,352 S**

(45) **Date of Patent:** **\*\* May 25, 2004**

(54) **EXHAUST MUFFLER**

(75) Inventor: **Brian Ward**, Basildon (GB)

(73) Assignee: **Brumby Corporation Limited** (GB)

(\*\*) Term: **14 Years**

(21) Appl. No.: **29/186,828**

(22) Filed: **Jul. 22, 2003**

(30) **Foreign Application Priority Data**

Jan. 24, 2003 (GB) ..... 3010304

(51) **LOC (7) Cl.** ..... **12-16**

(52) **U.S. Cl.** ..... **D12/194**

(58) **Field of Search** ..... D12/194, 197,  
D12/199, 400, 114, 162; D9/307, 441, 451;  
181/227, 228, 239, 241; D8/305, 310; D29/102-107;  
D11/157-158; 211/14; 280/477, 507, 490.1,  
511

(56) **References Cited**

**U.S. PATENT DOCUMENTS**

D130,681 S \* 12/1941 Decker ..... D12/194  
D159,865 S \* 8/1950 Russell ..... D12/194  
D165,985 S \* 2/1952 Koonter ..... D12/194

D183,145 S \* 7/1958 Russell ..... D12/194  
2,909,235 A \* 10/1959 Beranek ..... 181/252  
D226,905 S \* 5/1973 Buckalew et al. .... D12/194  
D406,089 S \* 2/1999 Burns ..... D12/194  
5,884,666 A \* 3/1999 Johnson ..... 138/39  
D418,469 S \* 1/2000 Whisenhunt ..... D12/194  
D435,498 S \* 12/2000 Bassani ..... D12/194  
D435,815 S \* 1/2001 Larson ..... D12/169  
D465,444 S \* 11/2002 Witham ..... D12/194

\* cited by examiner

*Primary Examiner*—Stacia Cadmus

(74) *Attorney, Agent, or Firm*—Kenyon & Kenyon

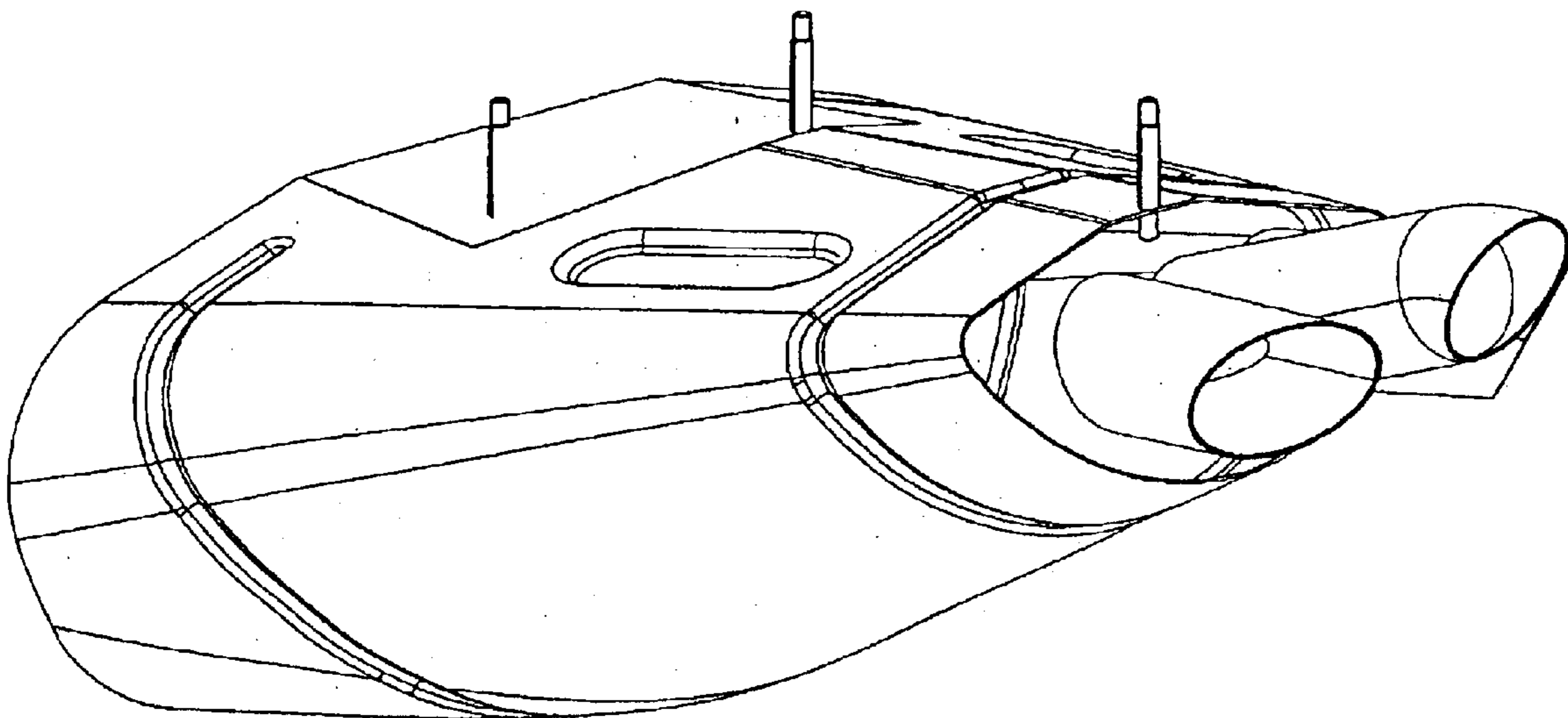
(57) **CLAIM**

The ornamental design for an exhaust muffler, as shown and described.

**DESCRIPTION**

FIG. 1 is a top view of an exhaust muffler illustrating my new design;  
FIG. 2 is a bottom view thereof;  
FIG. 3 is a side view thereof;  
FIG. 4 is a front view thereof;  
FIG. 5 is a rear view thereof; and,  
FIG. 6 is a perspective view thereof.

**1 Claim, 6 Drawing Sheets**



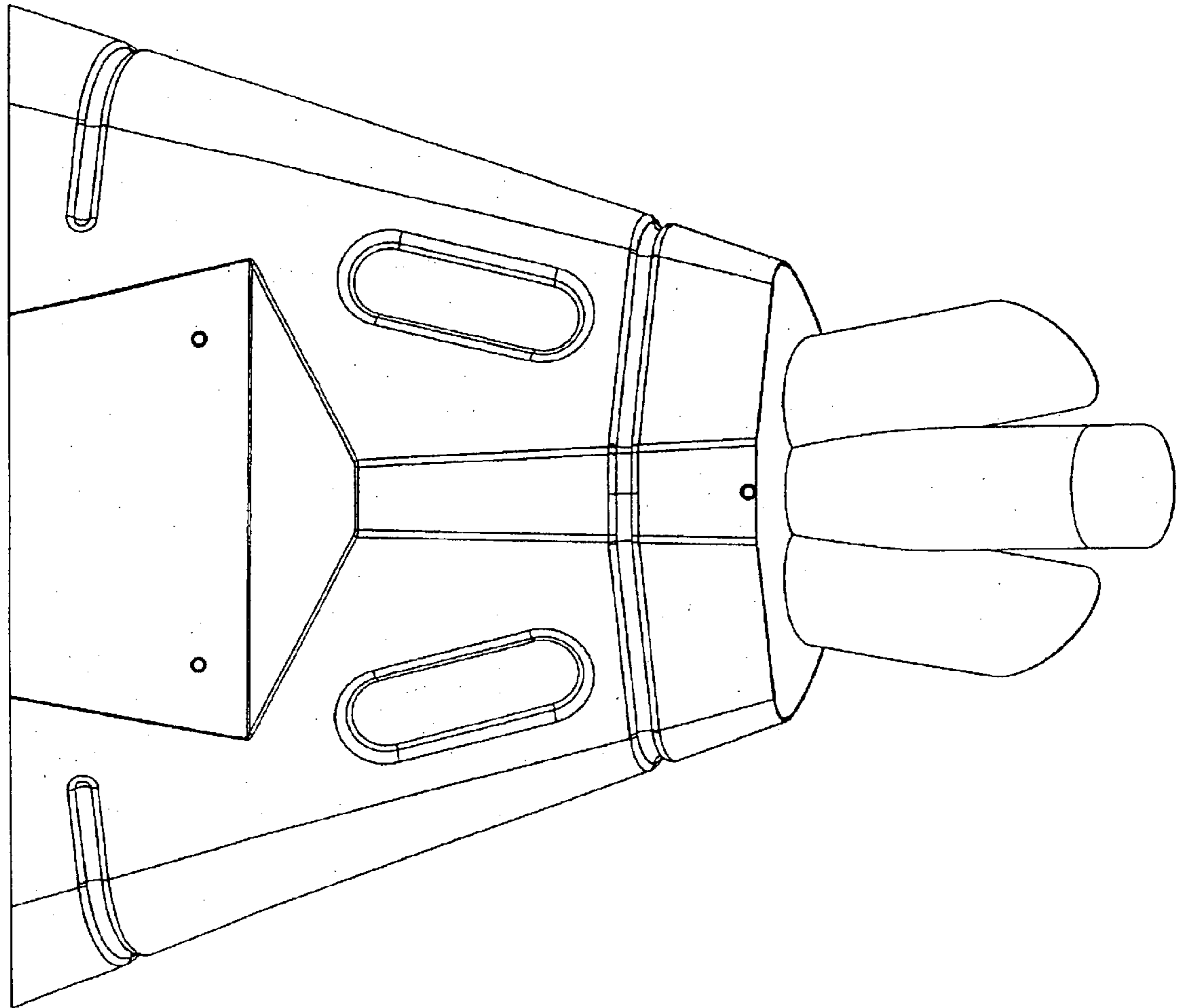


FIGURE 1

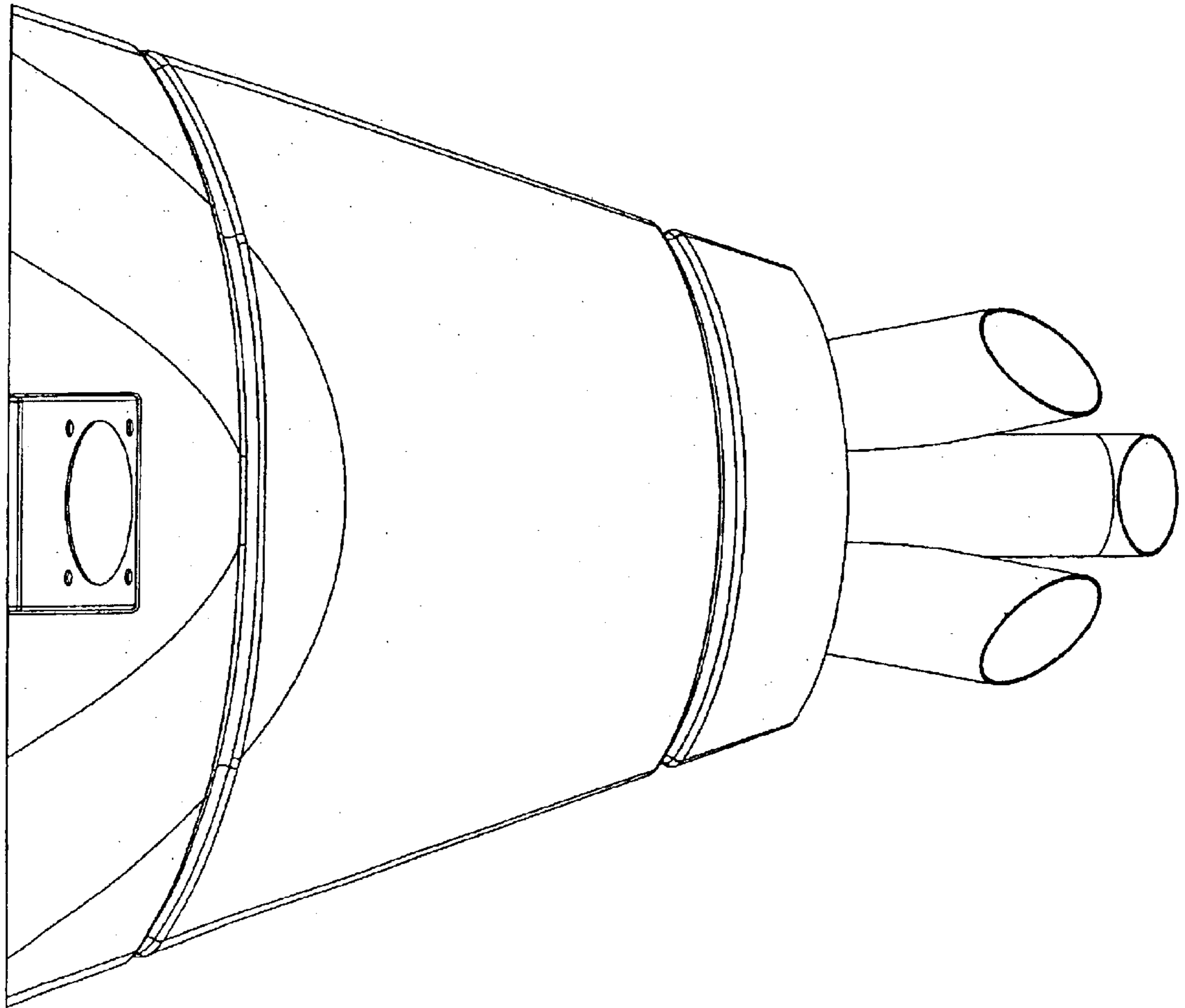


FIGURE 2

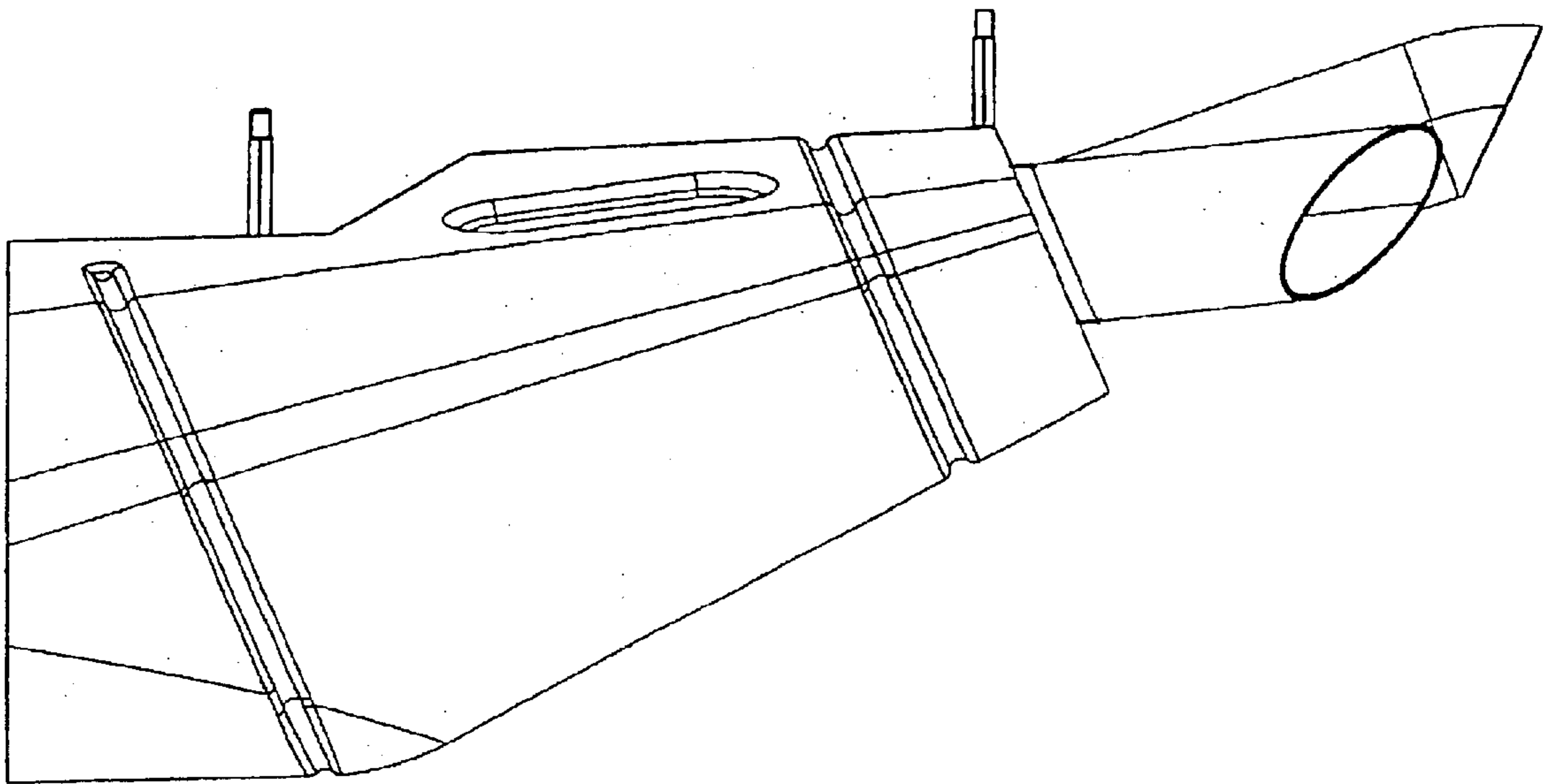


FIGURE 3

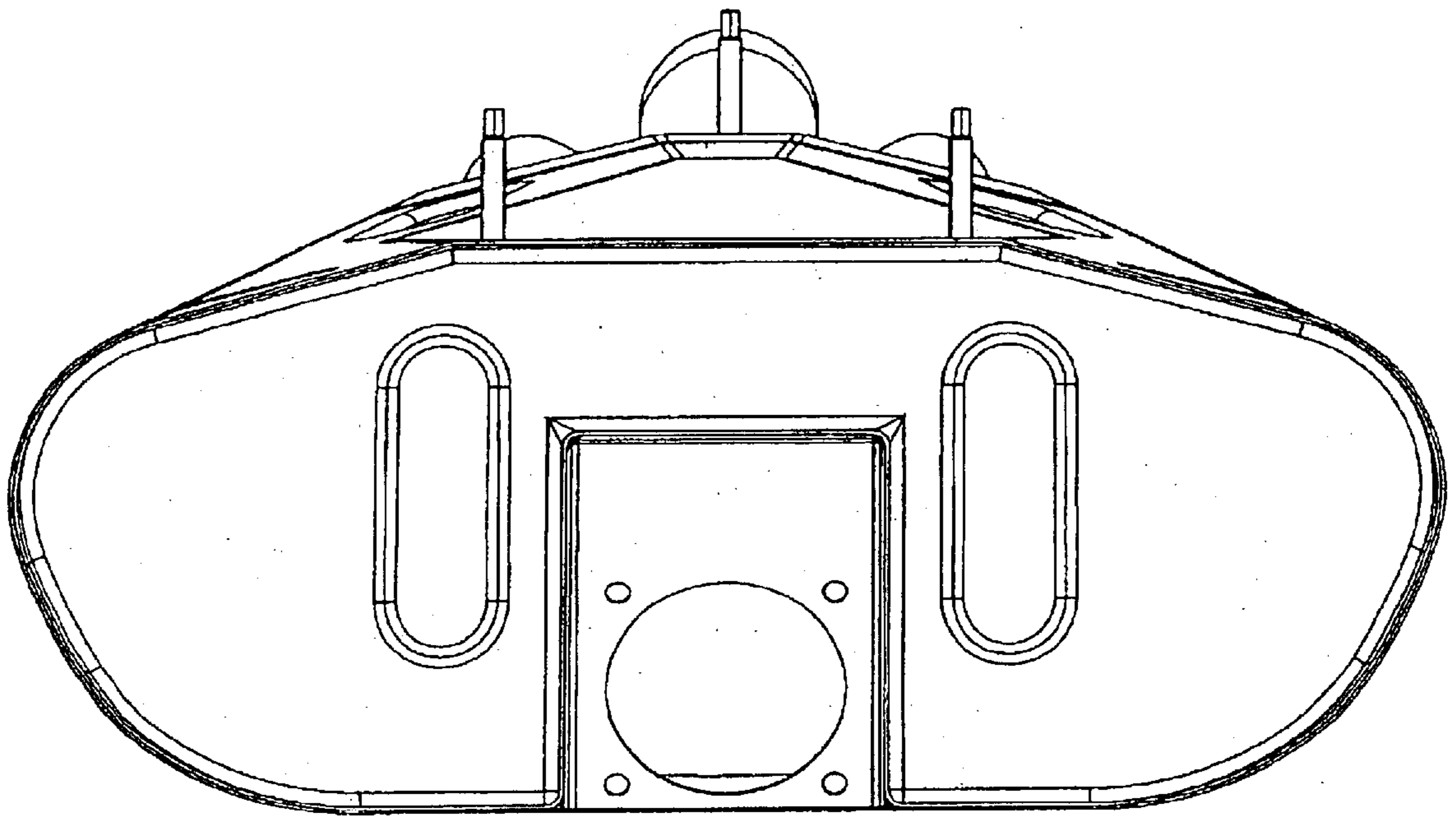


FIGURE 4

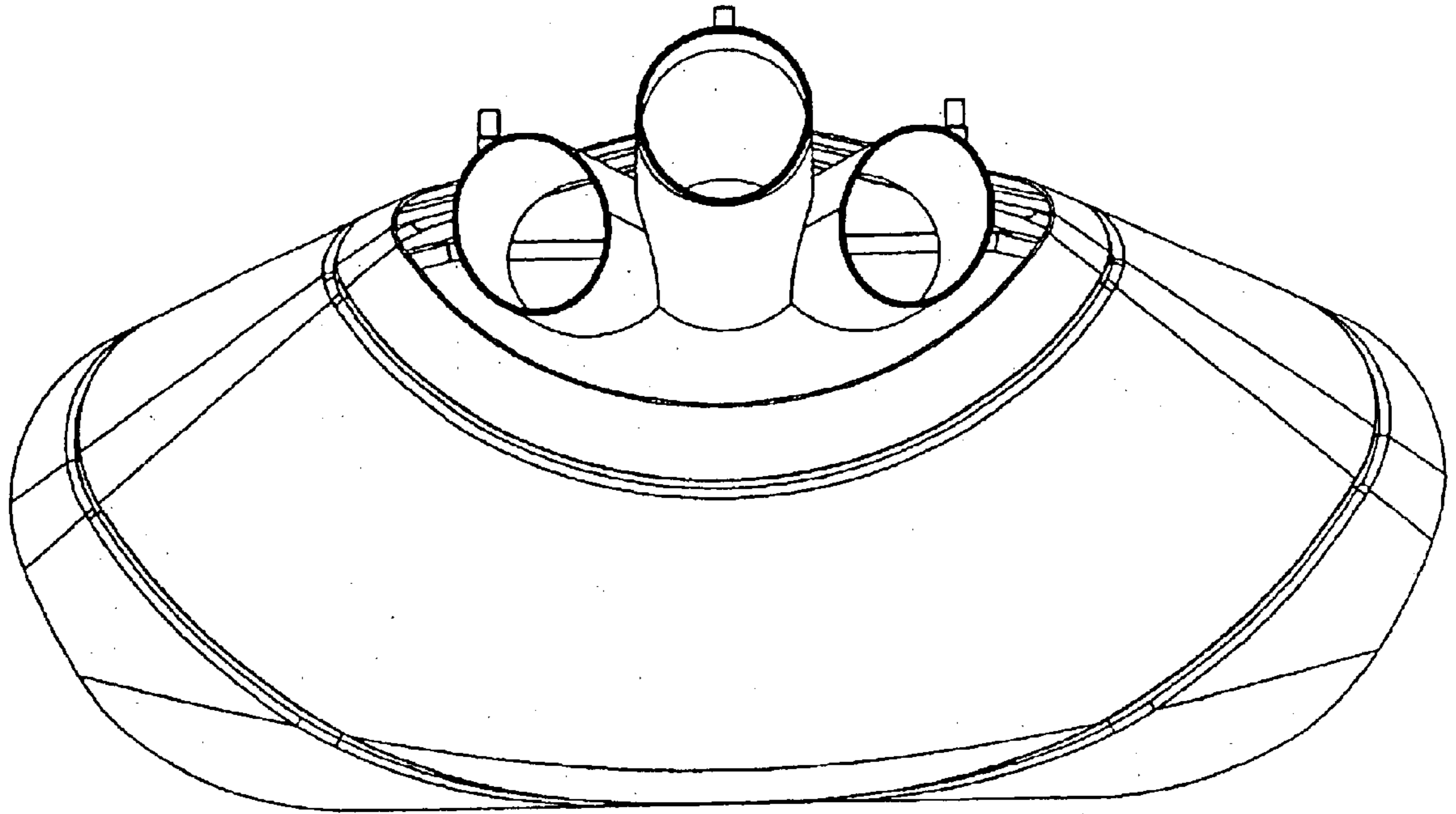


FIGURE 5

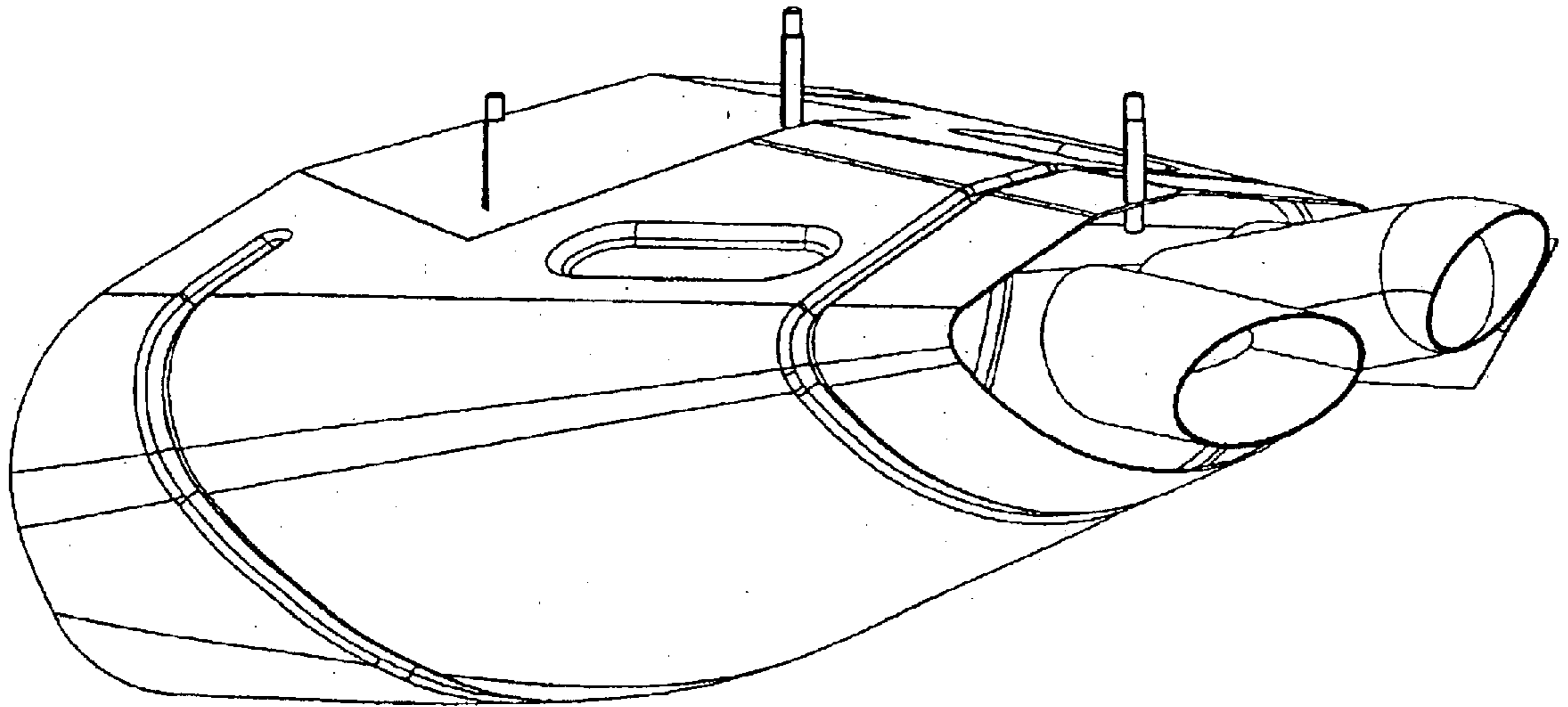


FIGURE 6