



US00D490351S

(12) **United States Design Patent**
Wang

(10) **Patent No.:** **US D490,351 S**

(45) **Date of Patent:** **** May 25, 2004**

(54) **SHINABLE MIRROR ASSEMBLY FOR A VEHICLE**

(76) **Inventor:** **Ellison Wang**, 4F, No. 76, Shinshing Road, Shijr City, Taipei (TW)

(**) **Term:** **14 Years**

(21) **Appl. No.:** **29/173,328**

(22) **Filed:** **Dec. 27, 2002**

(51) **LOC (7) Cl.** **12-16**

(52) **U.S. Cl.** **D12/187**

(58) **Field of Search** D12/187-189;
359/838-850, 855-868, 871-881

(56) **References Cited**

U.S. PATENT DOCUMENTS

D427,127 S	*	6/2000	Horowitz	D12/187
D432,473 S	*	10/2000	Sieber	D12/187
D449,262 S	*	10/2001	Kuo	D12/187
D455,690 S	*	4/2002	Lee	D12/187
D459,685 S	*	7/2002	Huang	D12/187

D463,342 S	*	9/2002	Sinkwitz	D12/187
D463,766 S	*	10/2002	Murkett	D12/187
D464,922 S	*	10/2002	Kuo	D12/187
D468,670 S	*	1/2003	Warming	D12/187

* cited by examiner

Primary Examiner—Melody N. Brown
(74) *Attorney, Agent, or Firm*—Bacon & Thomas, PLLC

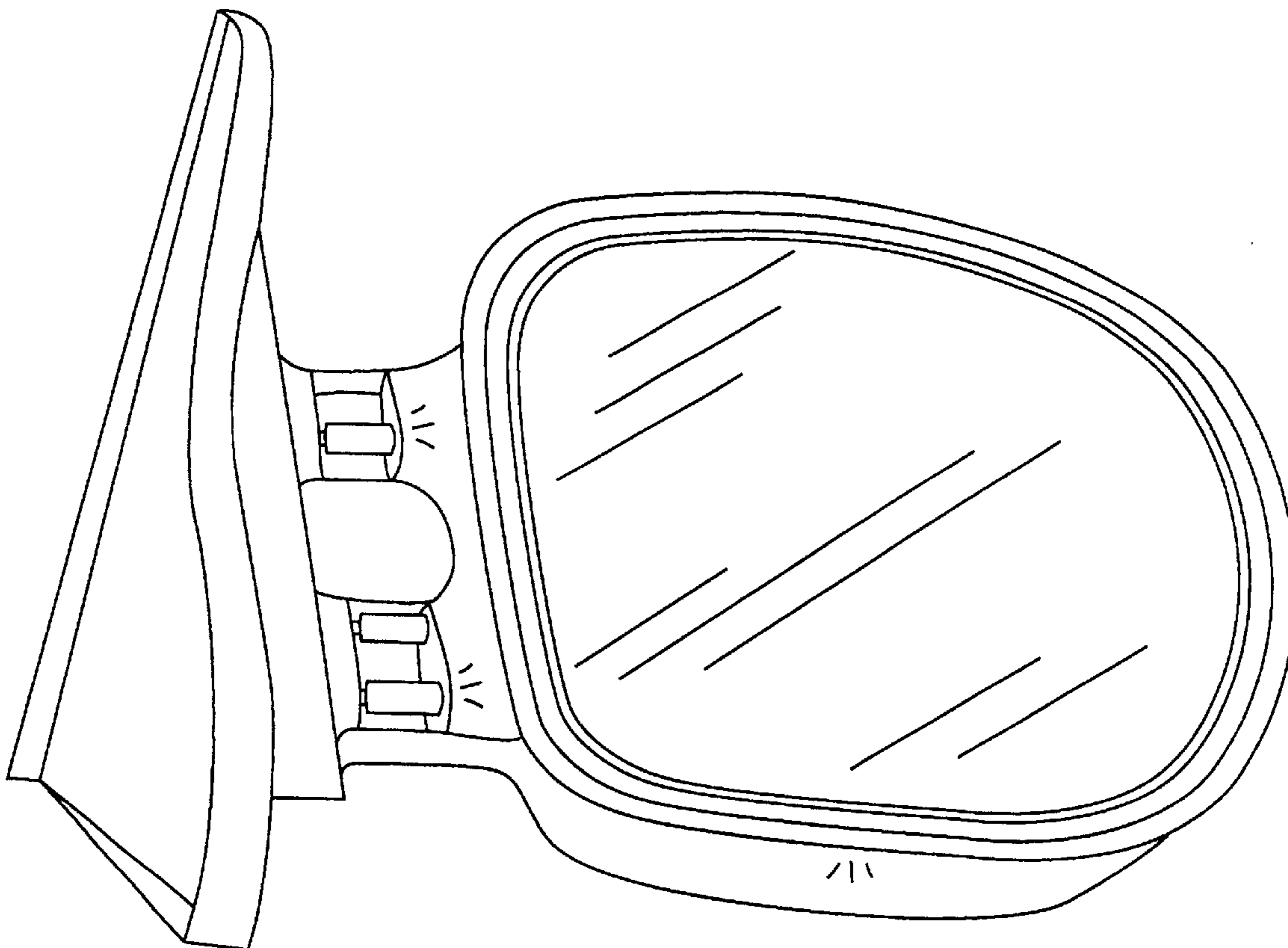
(57) **CLAIM**

The ornamental design for a shinable mirror assembly for a vehicle, as shown.

DESCRIPTION

FIG. 1 is a perspective view of a shinable mirror assembly for a vehicle showing my new design;
FIG. 2 is a front view thereof;
FIG. 3 is a back view thereof;
FIG. 4 is a left side view thereof;
FIG. 5 is a right side view thereof;
FIG. 6 is a top view thereof; and,
FIG. 7 is a bottom view thereof.

1 Claim, 4 Drawing Sheets



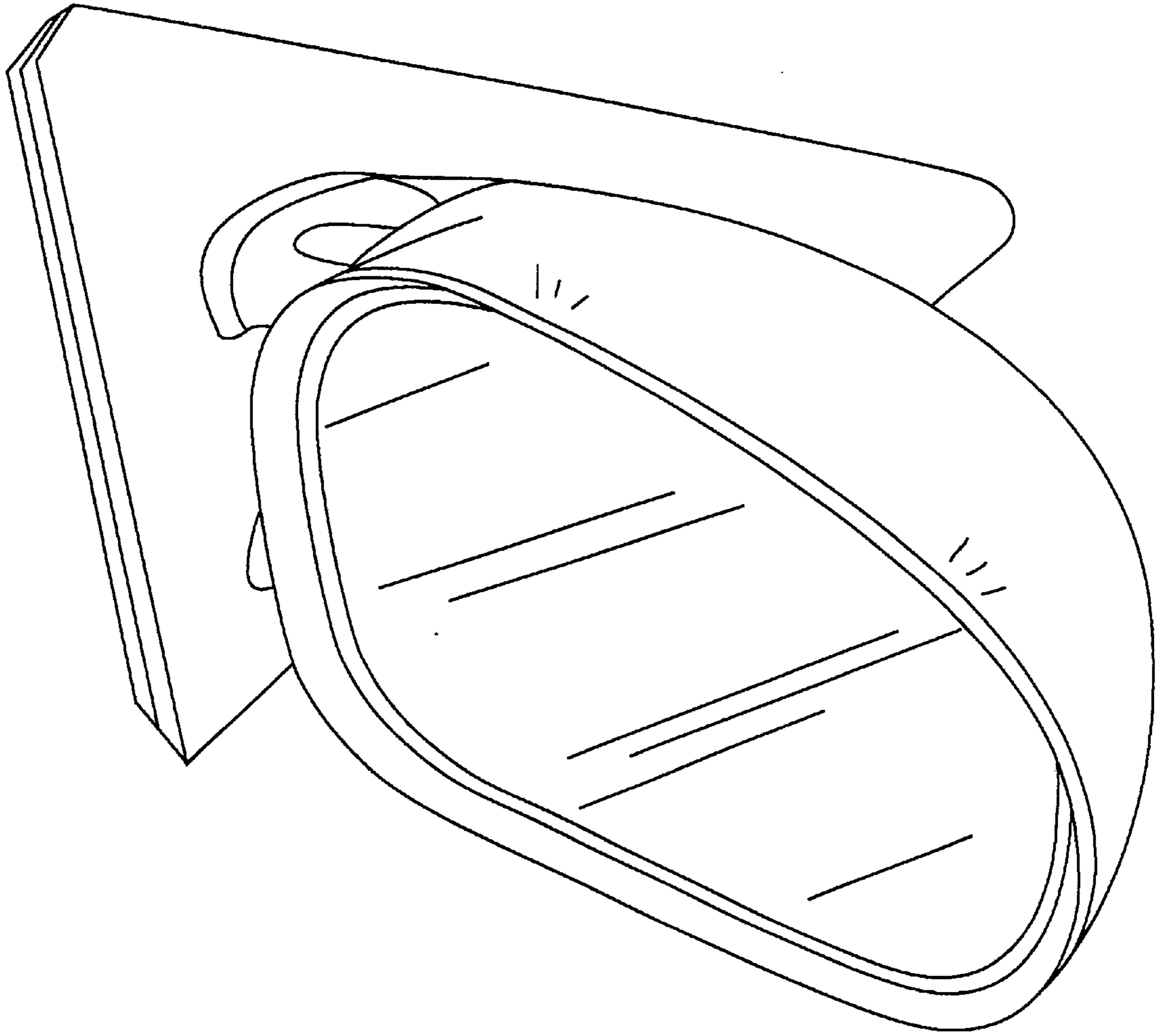


Fig .1

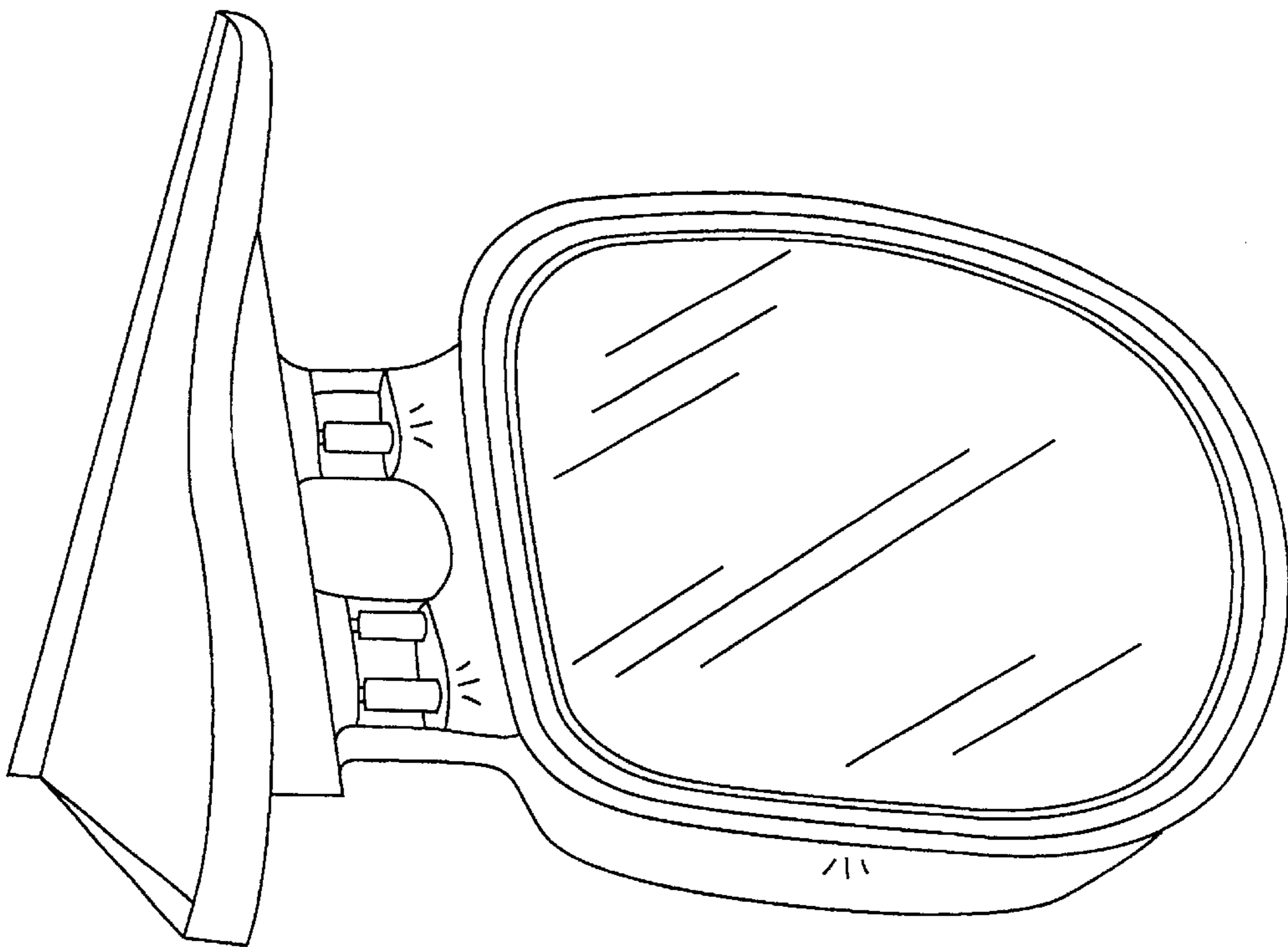


Fig .2

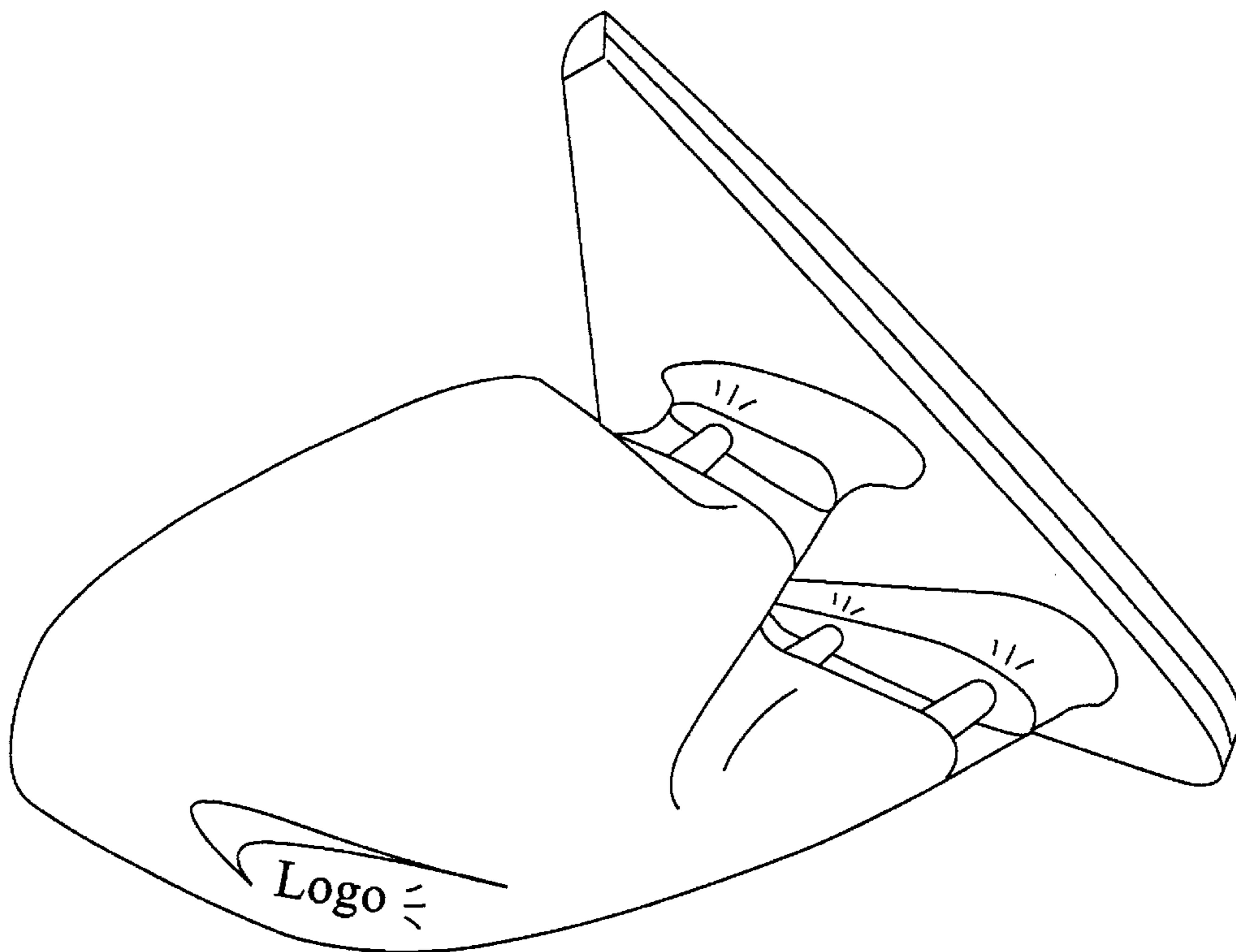


Fig .3

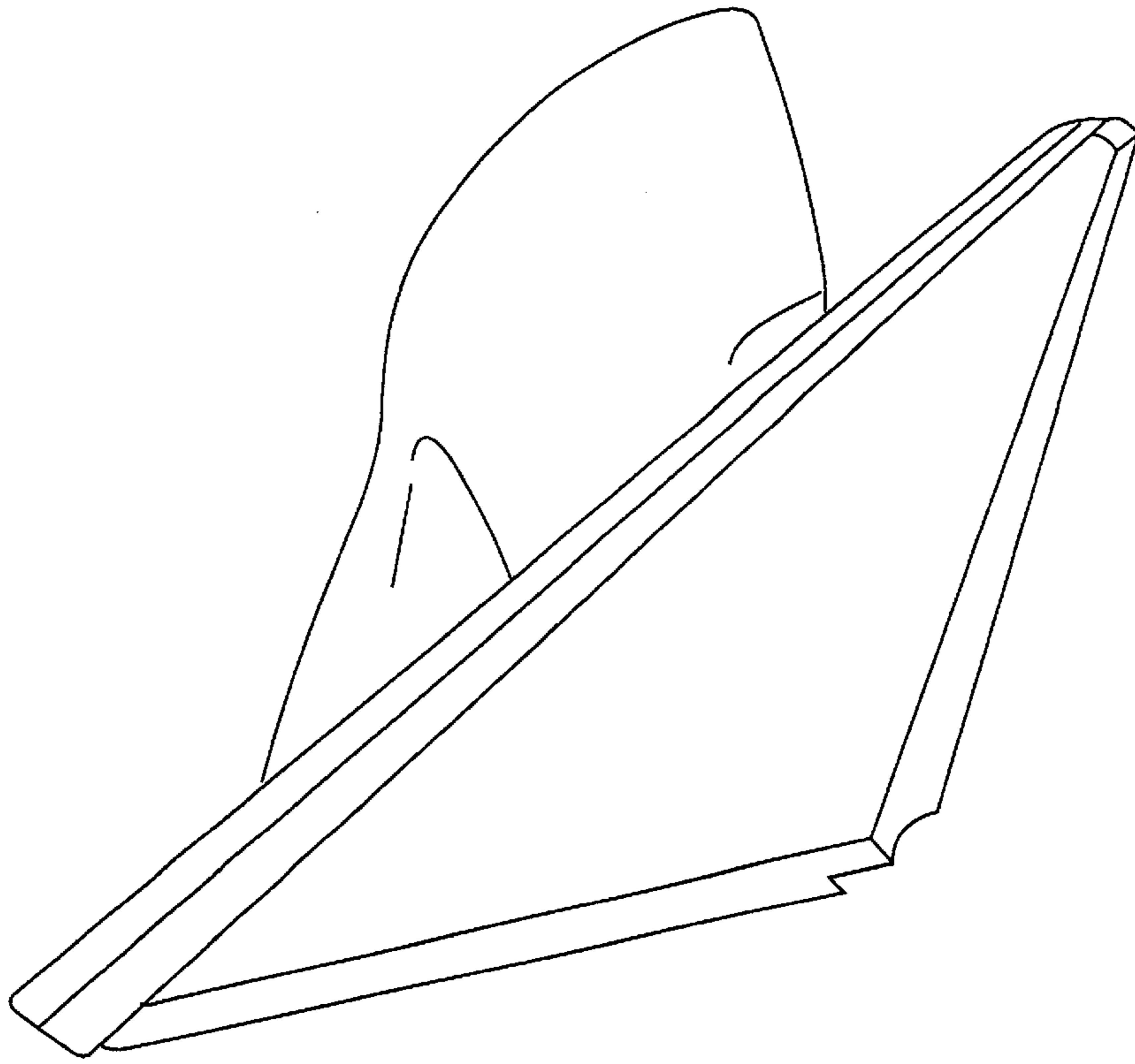


Fig .4

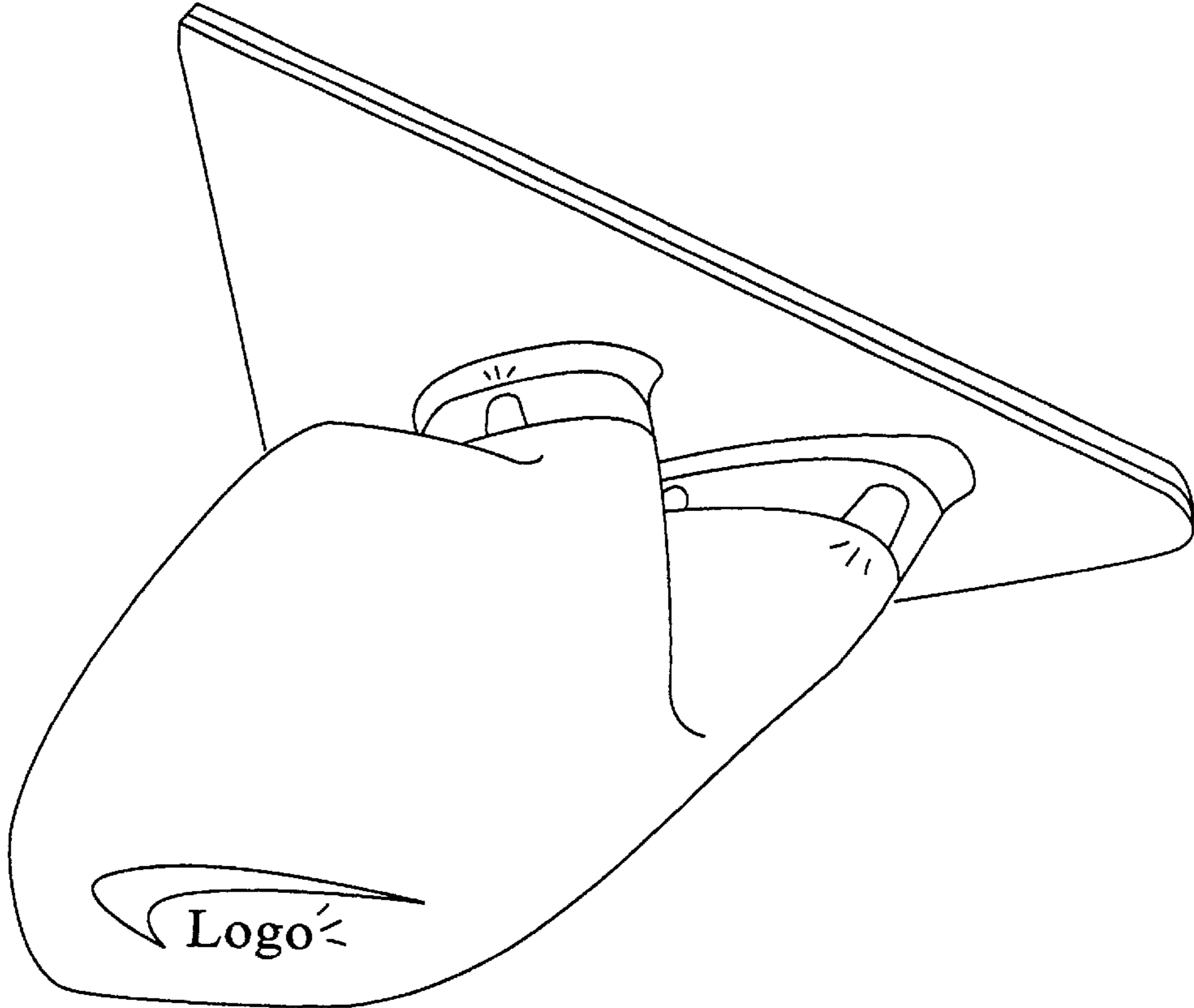


Fig .5

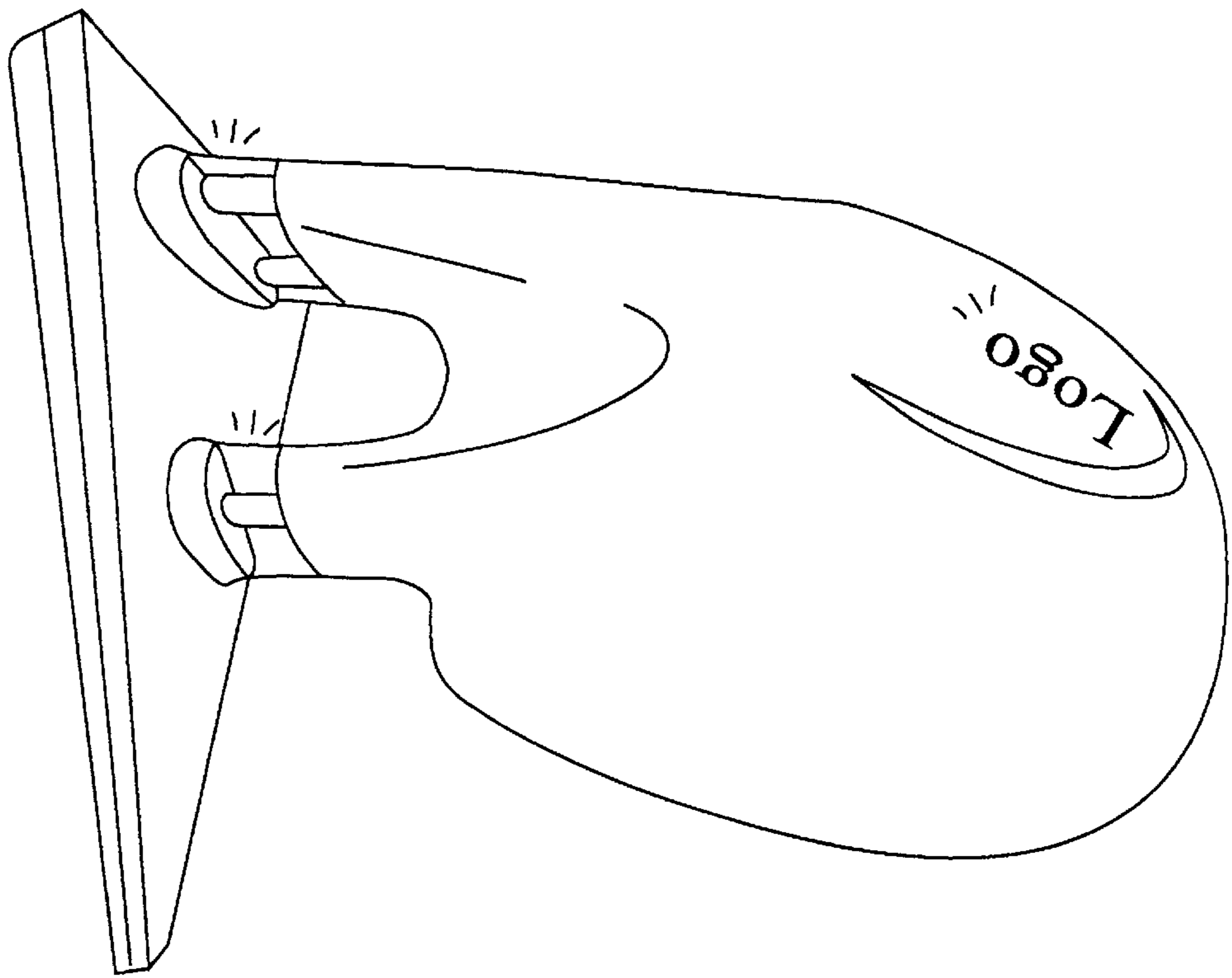


Fig .6

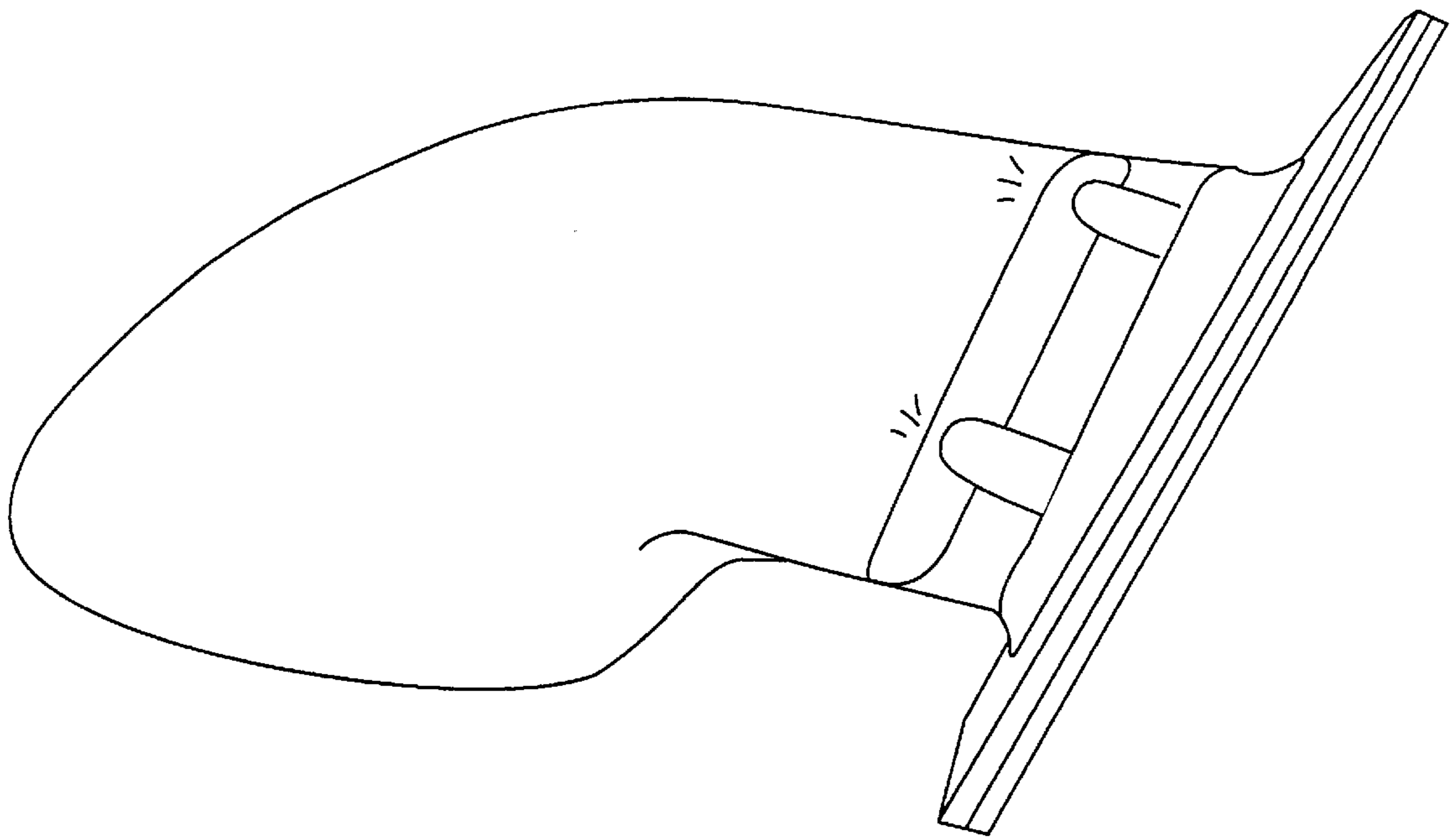


Fig .7