



US00D490346S

(12) **United States Design Patent**
Young

(10) **Patent No.:** **US D490,346 S**

(45) **Date of Patent:** **** May 25, 2004**

(54) **MOTORCYCLE CARBURETOR COVER**

Primary Examiner—Melody N. Brown
(74) *Attorney, Agent, or Firm*—Patrick Reilly

(76) **Inventor:** **Douglas William Young**, 147 N. Murphy St., Sunnyvale, CA (US) 94086

(**) **Term:** **14 Years**

(57) **CLAIM**

The ornamental design for a motorcycle carburetor cover, as shown and described.

(21) **Appl. No.:** **29/175,364**

(22) **Filed:** **Feb. 4, 2003**

DESCRIPTION

(51) **LOC (7) Cl.** **12-16**

(52) **U.S. Cl.** **D12/126**

(58) **Field of Search** D12/128, 110, D12/114; D15/5; 180/219; 280/288.4

FIG. 1 is a top perspective top view of a motorcycle carburetor cover design;
FIG. 2 is a bottom perspective view thereof;
FIG. 3 is a top plan view thereof;
FIG. 4 is a bottom plan view thereof;
FIG. 5 is a right side elevational view thereof;
FIG. 6 is a left side elevational view thereof;
FIG. 7 is a front elevational view thereof; and,
FIG. 8 is a rear elevational view thereof.

(56) **References Cited**

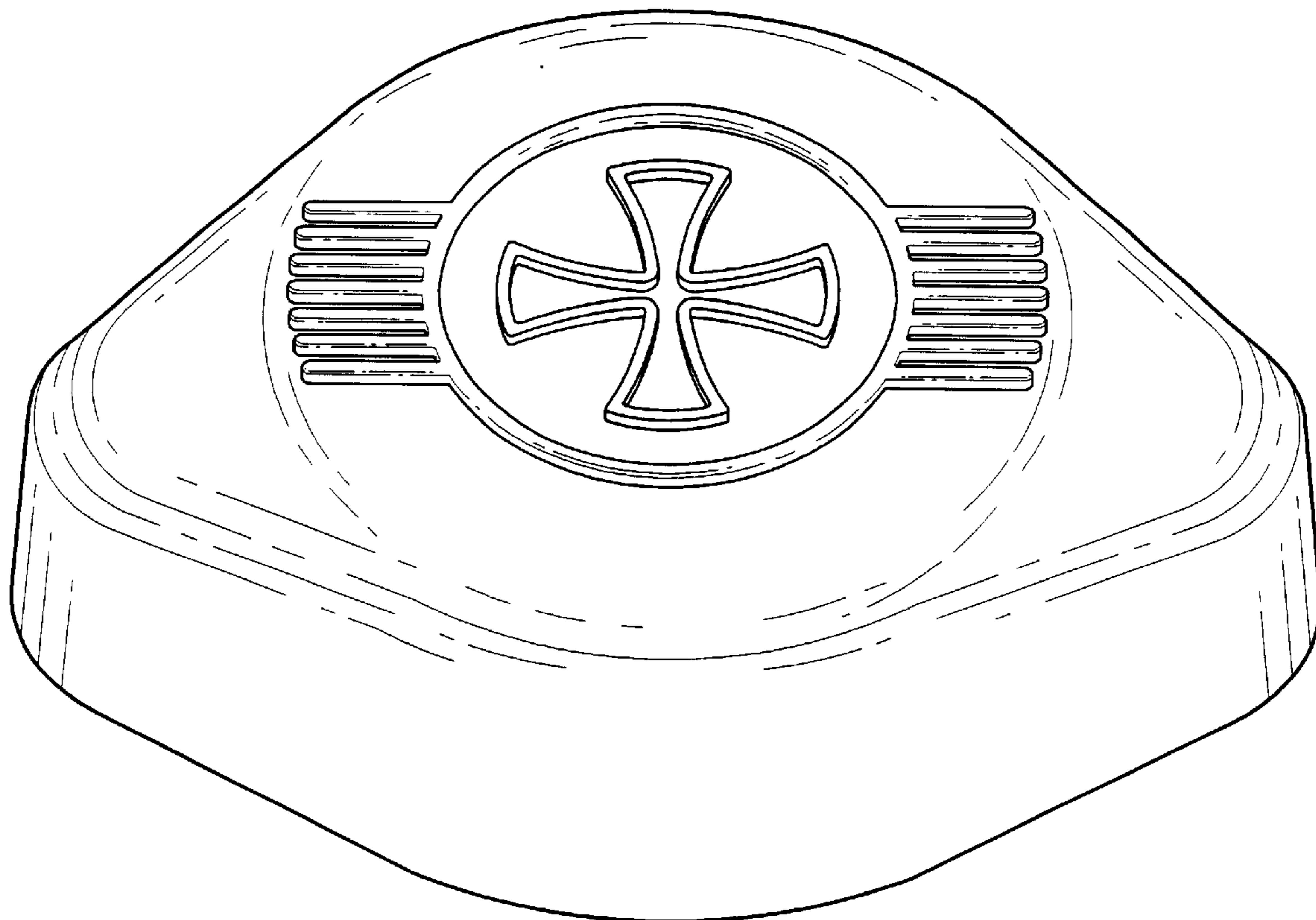
U.S. PATENT DOCUMENTS

D354,460 S	*	1/1995	Davidson et al.	D12/126
D393,647 S	*	4/1998	Garrard et al.	D15/5
D445,366 S	*	7/2001	Davidson et al.	D12/126
D446,753 S	*	8/2001	Golden et al.	D12/126

The broken lines are shown for illustrative purposes only form no part of the claimed design.

* cited by examiner

1 Claim, 5 Drawing Sheets



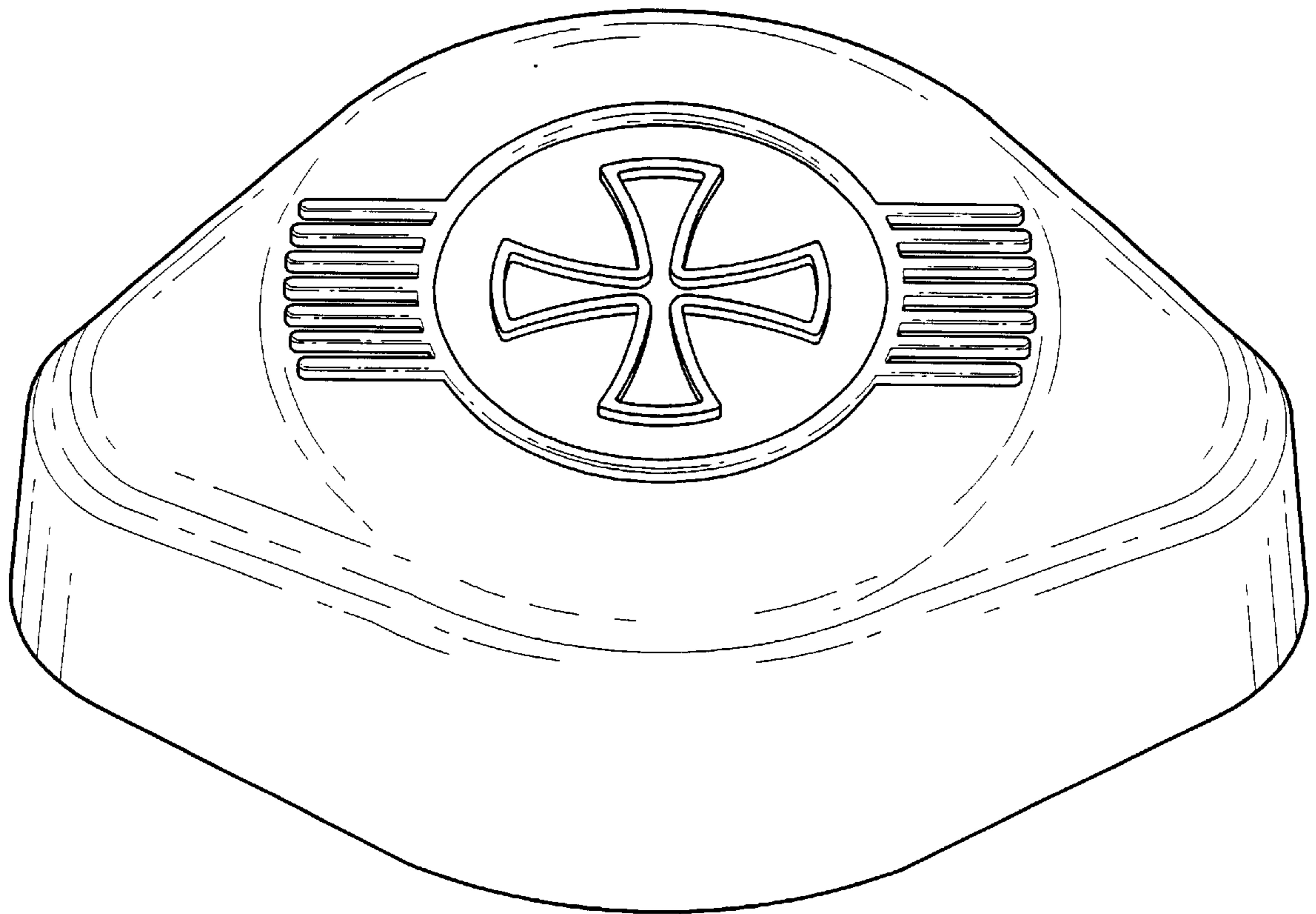


FIG. 1

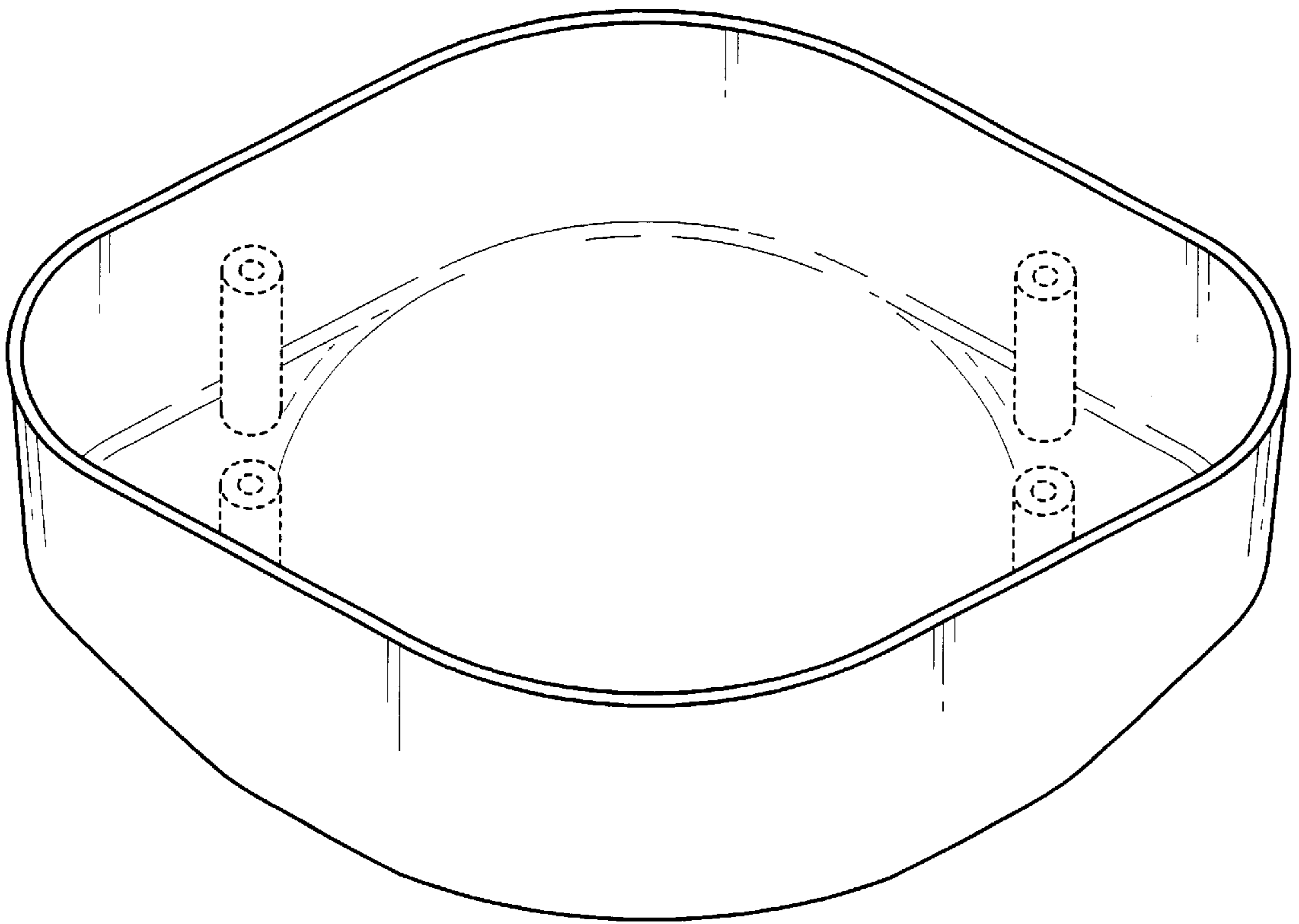


FIG. 2

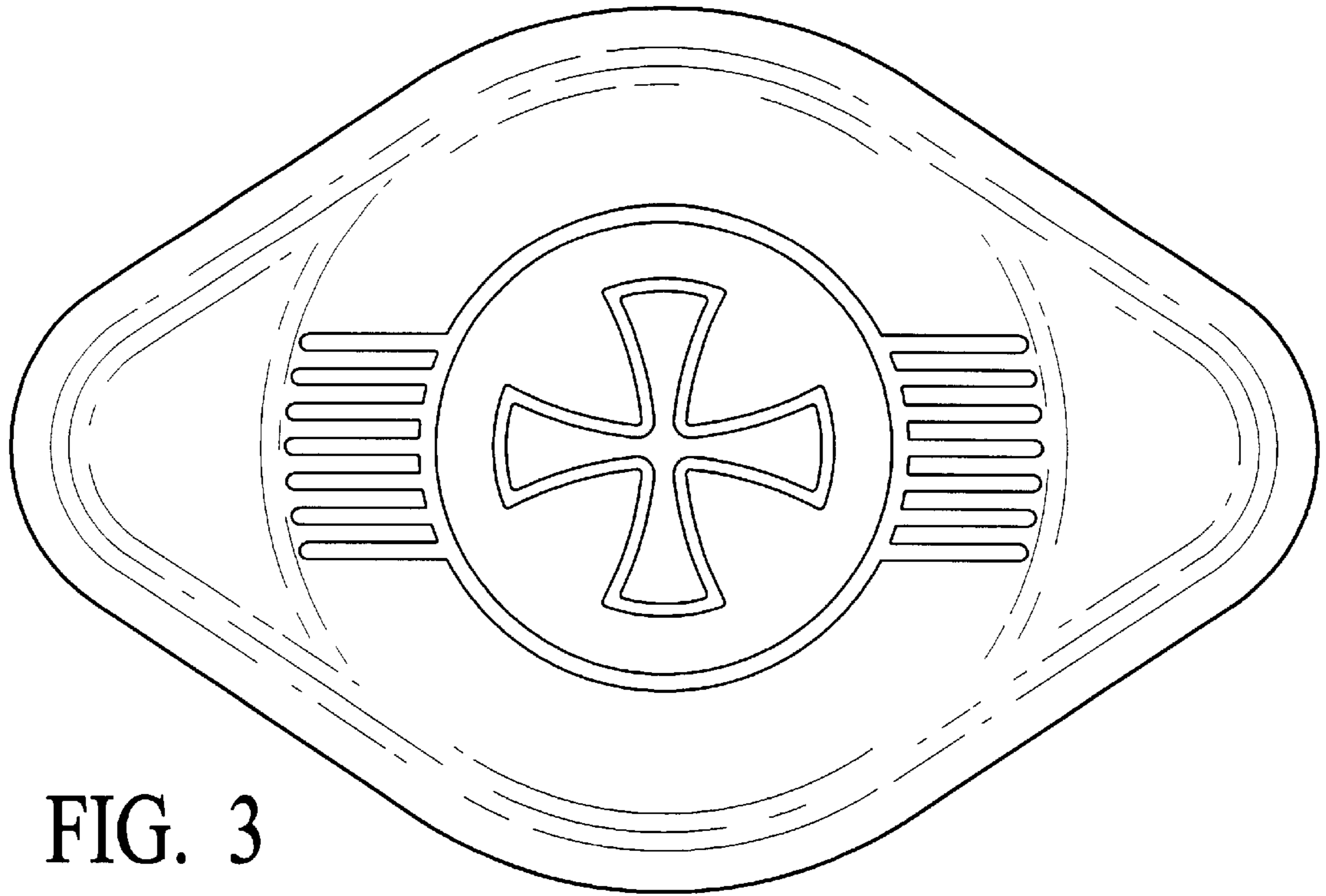


FIG. 3

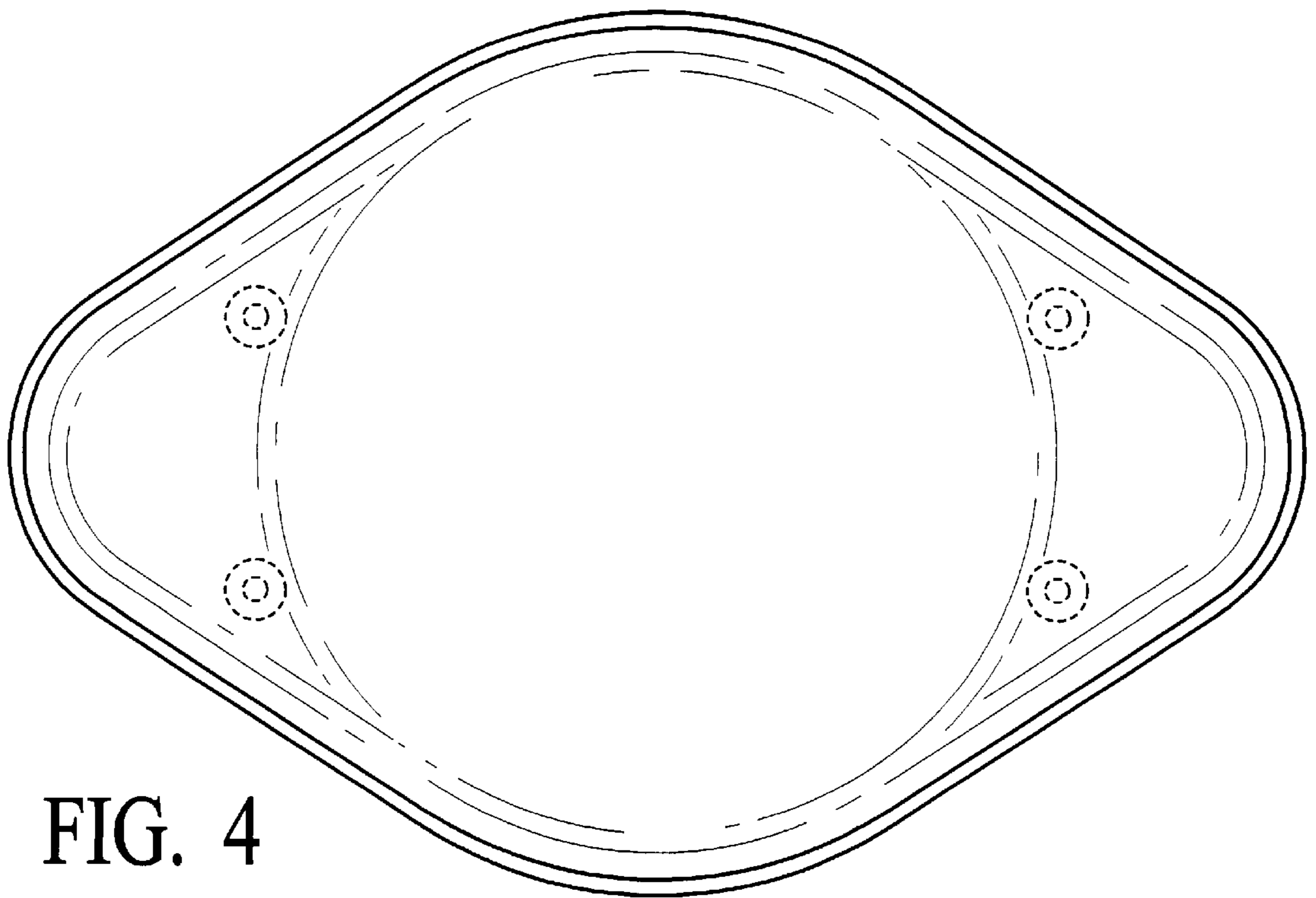


FIG. 4

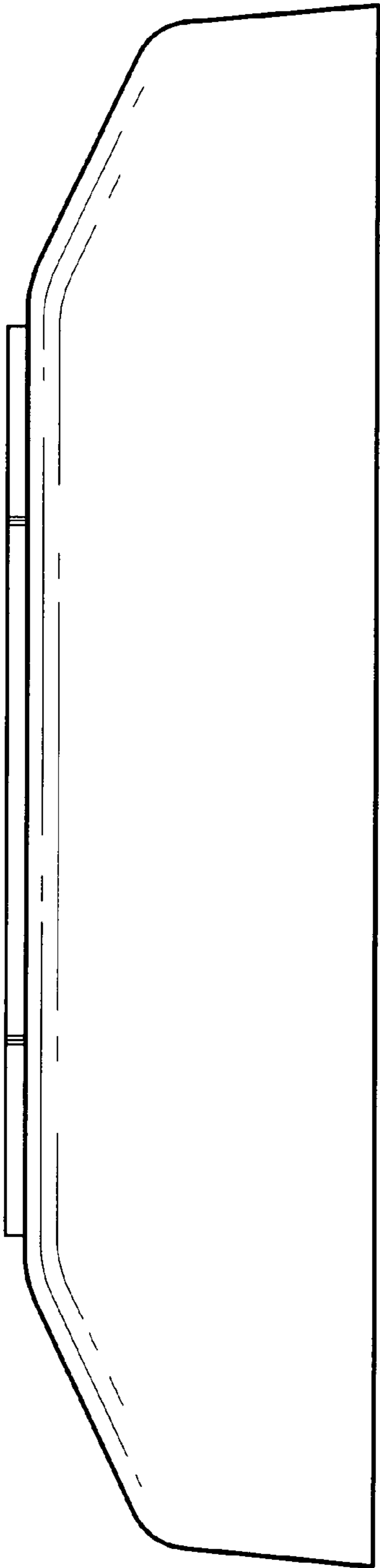


FIG. 5

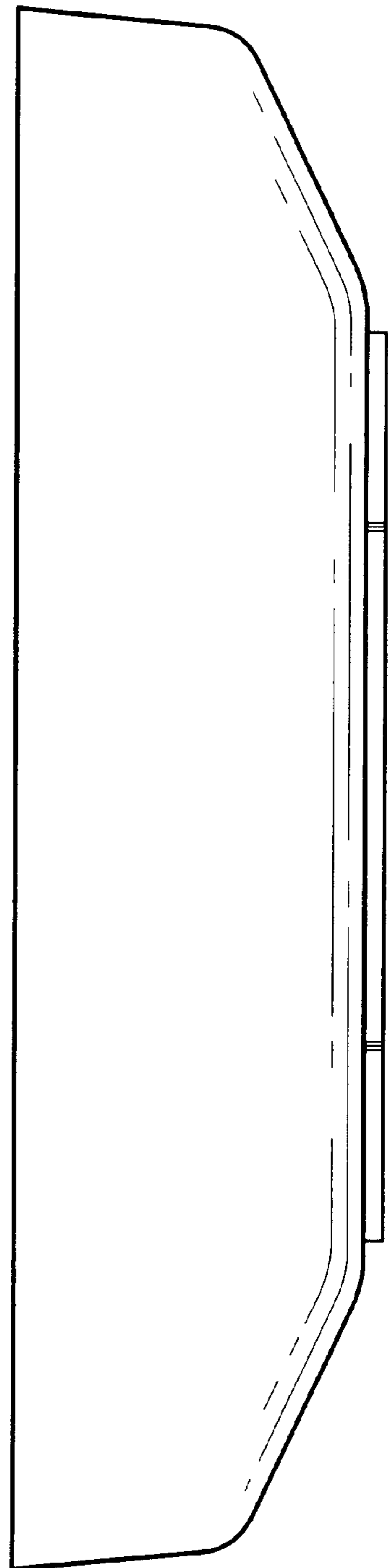


FIG. 6

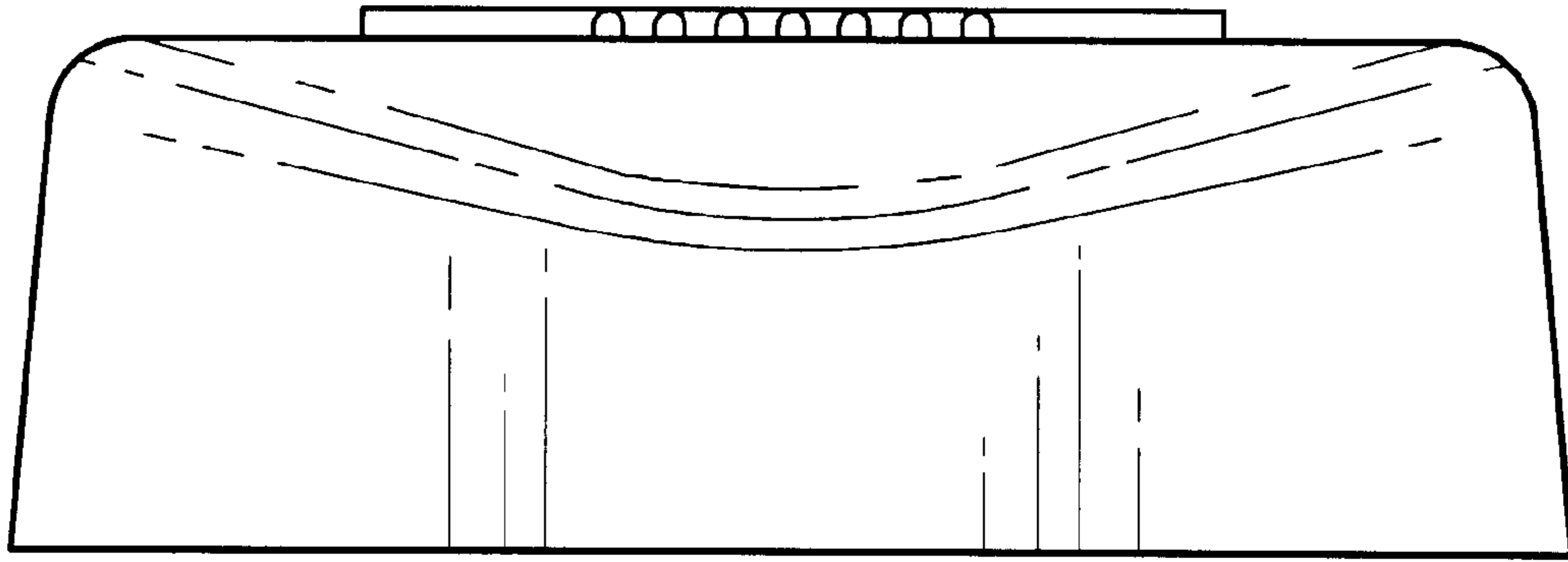


FIG. 7

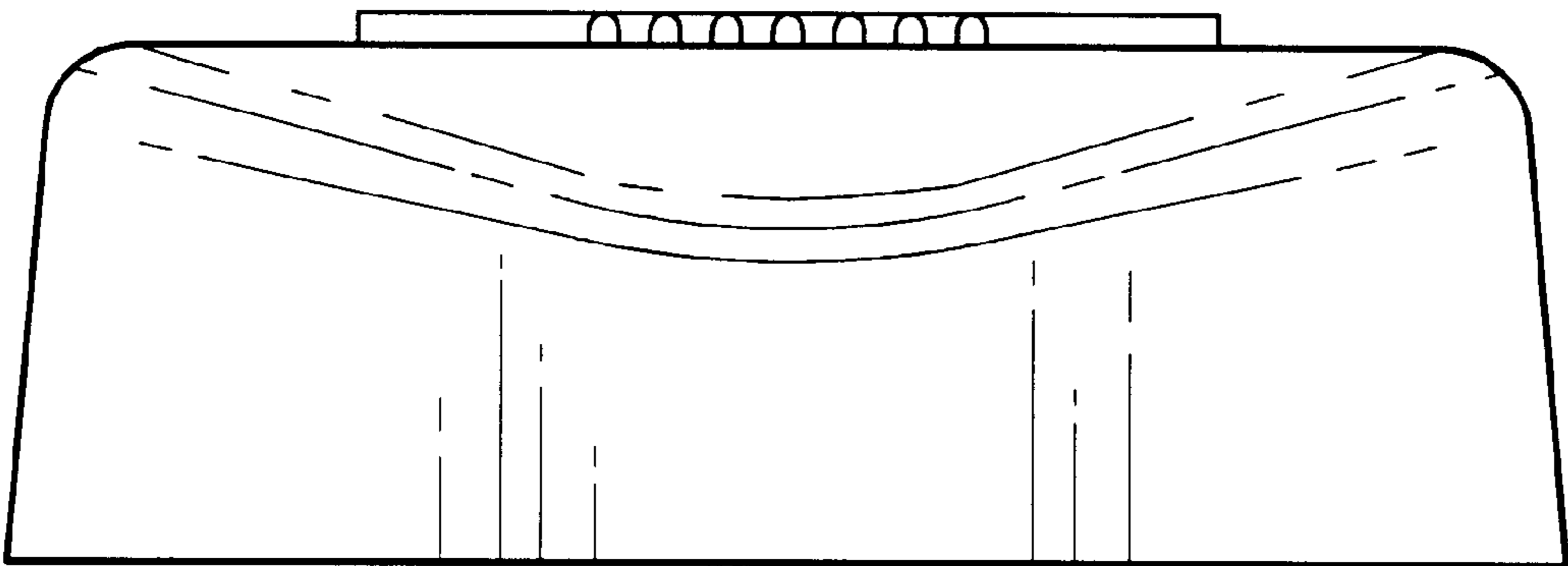


FIG. 8