



US00D490344S

(12) **United States Design Patent**
Ramaciotti

(10) **Patent No.:** **US D490,344 S**

(45) **Date of Patent:** **** May 25, 2004**

(54) **CAR**

D458,873 S * 6/2002 Choi et al. D12/92
D459,274 S * 6/2002 Warkuss et al. D12/92
D473,491 S * 4/2003 Tanabe et al. D12/92

(75) Inventor: **Lorenzo Ramaciotti**, Moncalieri (IT)

(73) Assignee: **Maserata S.p.A.**, Modena (IT)

* cited by examiner

(**) Term: **14 Years**

Primary Examiner—Melody N. Brown

(21) Appl. No.: **29/178,266**

(74) *Attorney, Agent, or Firm*—Robin, Blecker & Daley

(22) Filed: **Mar. 24, 2003**

(57) **CLAIM**

(30) **Foreign Application Priority Data**

The ornamental design for a car, as shown and described.

Sep. 25, 2002 (IT) T020020244
Sep. 25, 2002 (IT) T020020244

DESCRIPTION

(51) **LOC (7) Cl.** **12-16**

FIG. 1 is a front view of the car showing my design thereof;

(52) **U.S. Cl.** **D12/92**

FIG. 2 is a right view thereof;

(58) **Field of Search** D12/86, 90-92;
296/185

FIG. 3 is a left view thereof;

FIG. 4 is a rear view thereof; and,

FIG. 5 is a top view thereof.

(56) **References Cited**

U.S. PATENT DOCUMENTS

D438,492 S * 3/2001 Nishihata et al. D12/92

1 Claim, 5 Drawing Sheets

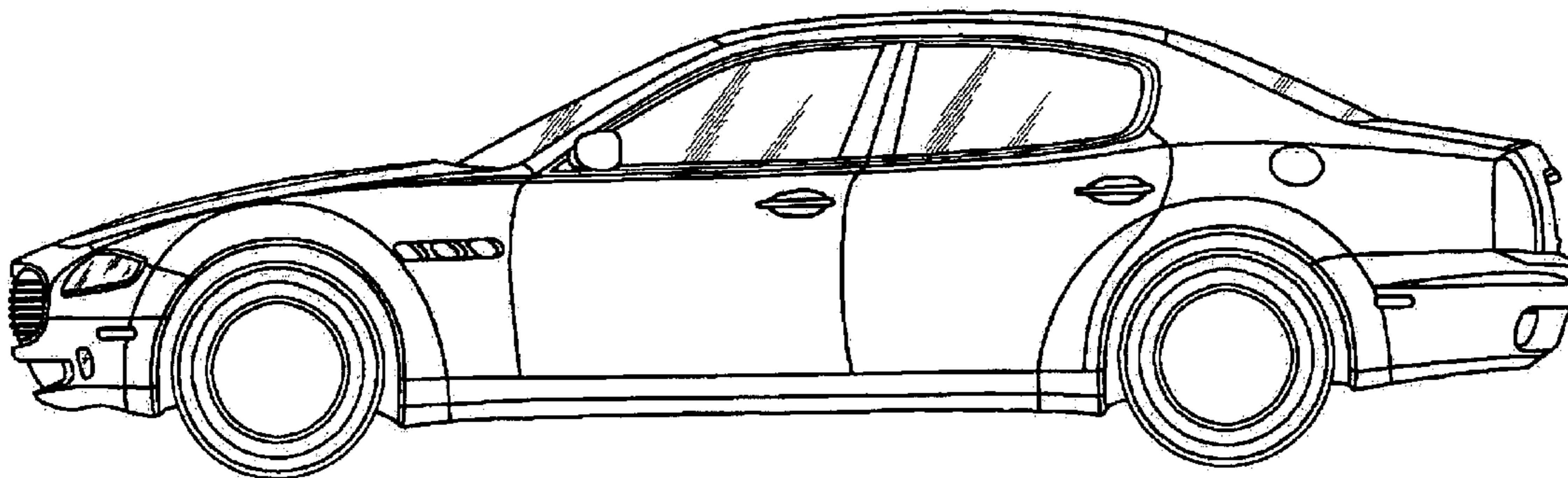


Fig. 1

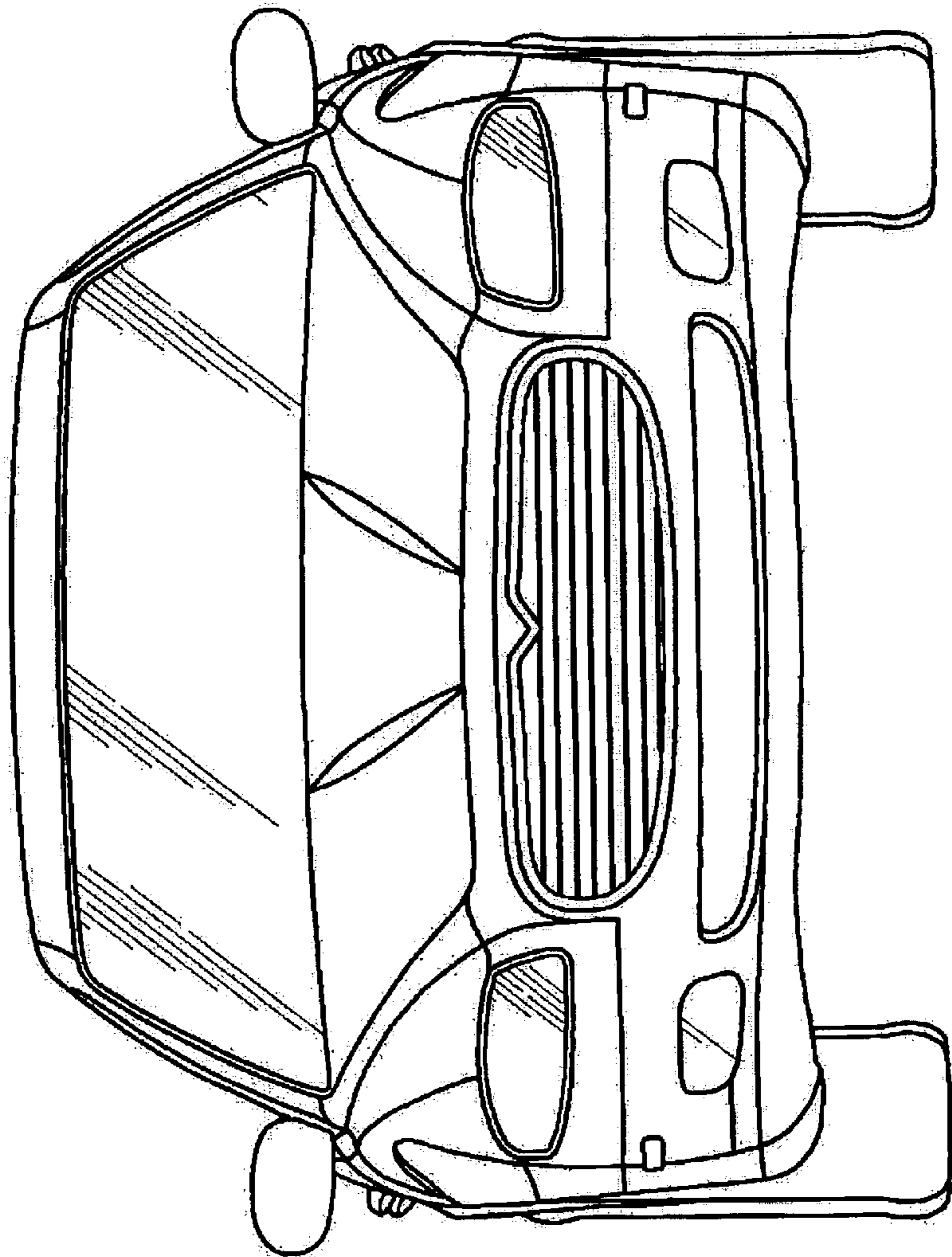


Fig. 2

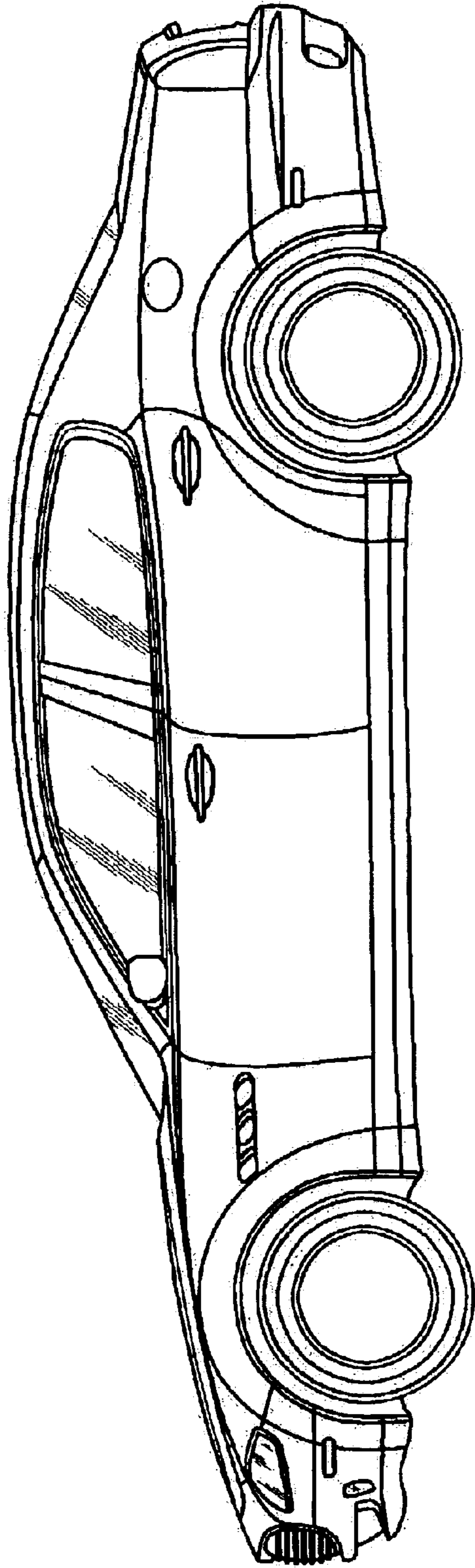


Fig. 3

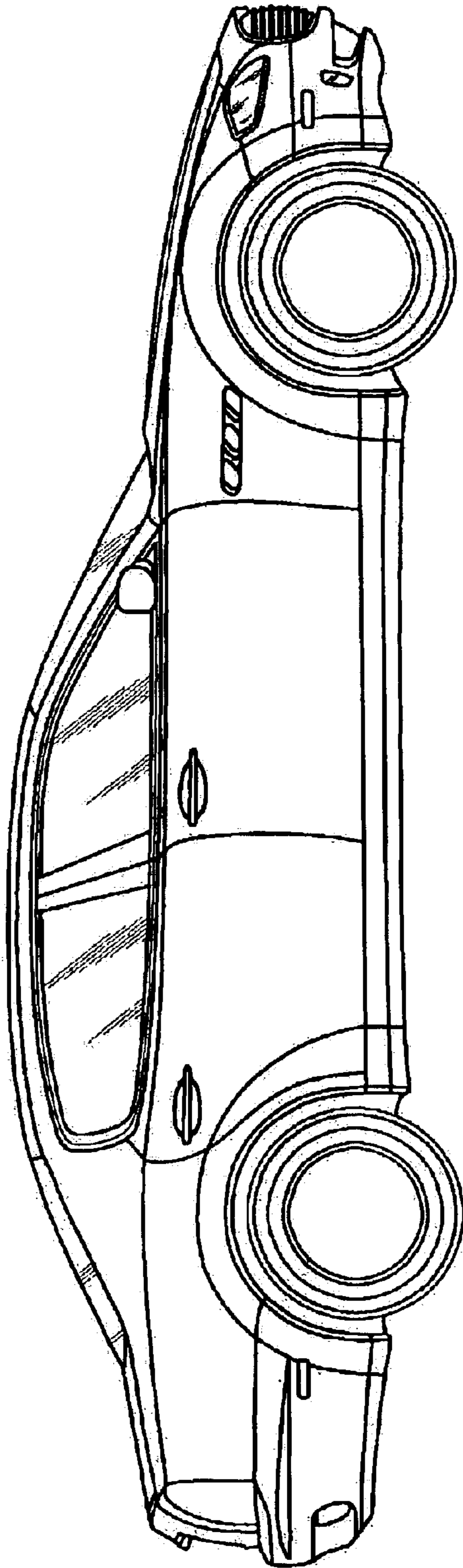


Fig. 4

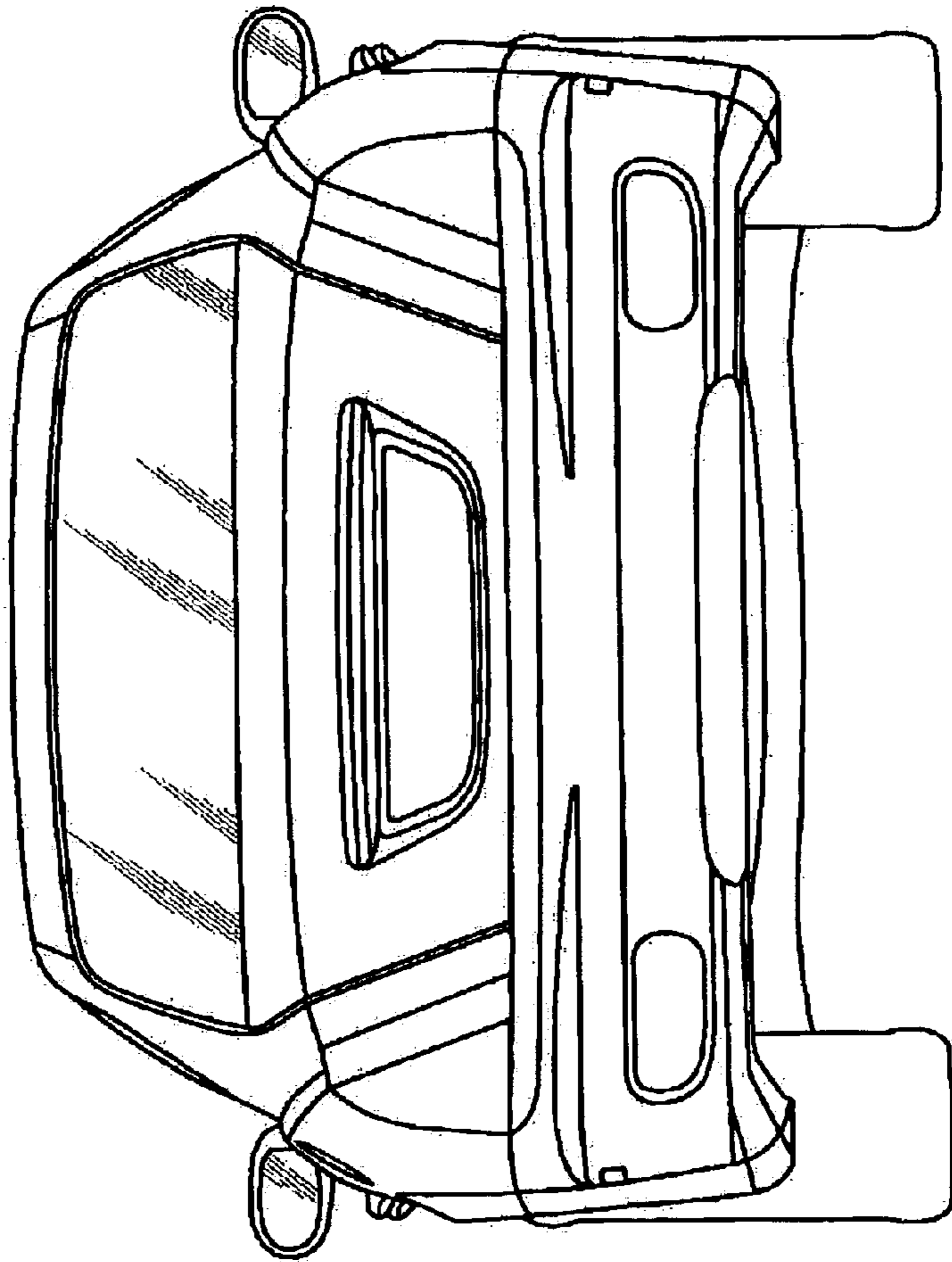


Fig. 5

