



US00D490336S

(12) **United States Design Patent**  
**Stoughton**

(10) **Patent No.:** **US D490,336 S**

(45) **Date of Patent:** **\*\* May 25, 2004**

(54) **SPORTING EVENTS SIGNAL**

*Primary Examiner*—Antoine Duval Davis

(76) Inventor: **R. Terry Stoughton**, 15190 State Rte.  
678, P.O. Box 47, Rockbridge, OH (US)  
43149

(57) **CLAIM**

The ornamental design for a sporting events signal, as shown and described.

(\*\*) Term: **14 Years**

**DESCRIPTION**

(21) Appl. No.: **29/173,284**

FIG. 1 is a front elevational view of a sporting events signal showing my new design.

(22) Filed: **Dec. 26, 2002**

FIG. 2 is a rear elevational view of the sporting events signal.

(51) **LOC (7) Cl.** ..... **10-05**

(52) **U.S. Cl.** ..... **D10/115**

(58) **Field of Search** ..... D10/109, 115;  
D26/67-70; 116/63 R; 340/908, 932.1,  
931

FIG. 3 is a left side elevational view of the sporting events signal.

FIG. 4 is a right side elevational view of the sporting events signal.

(56) **References Cited**

**U.S. PATENT DOCUMENTS**

3,863,214	A	*	1/1975	Kerr	.....	116/63	R
5,252,969	A	*	10/1993	Kishi	.....	340/908	
5,986,576	A	*	11/1999	Armstrong	.....	340/908	
6,283,613	B1	*	9/2001	Schaffer	.....	116/63	R
D457,827	S	*	5/2002	Williams et al.	.....	D10/115	

FIG. 5 is a top plan view of the sporting events signal.

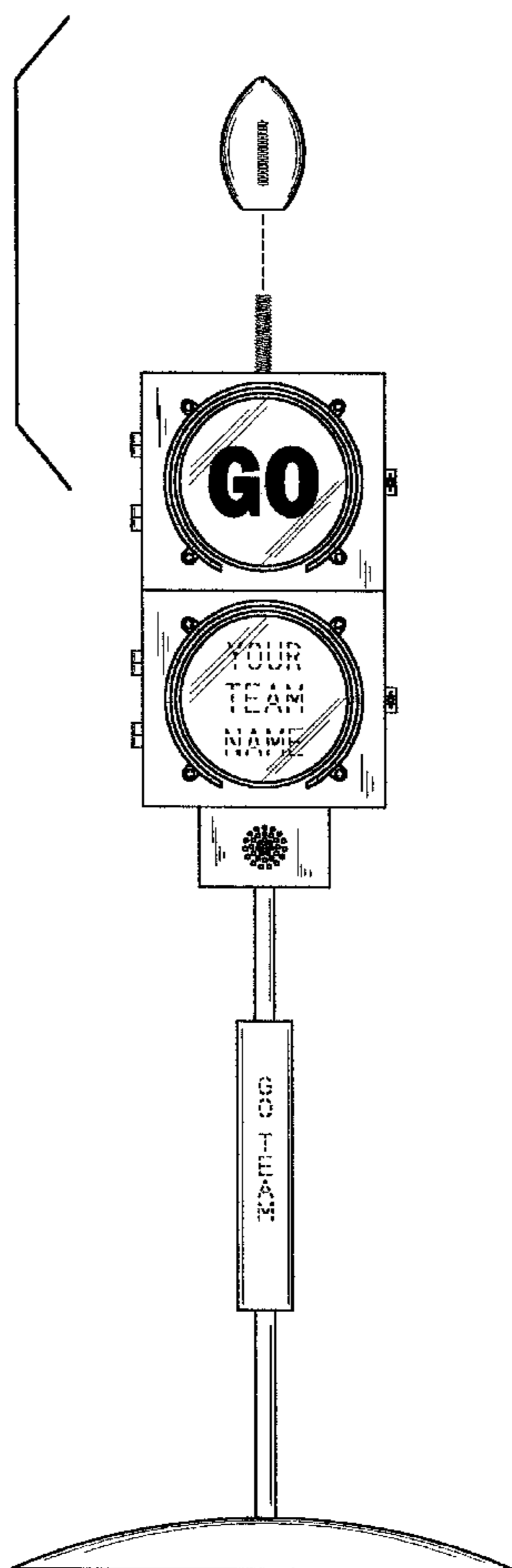
FIG. 6 is a bottom plan view of the sporting events signal; and,

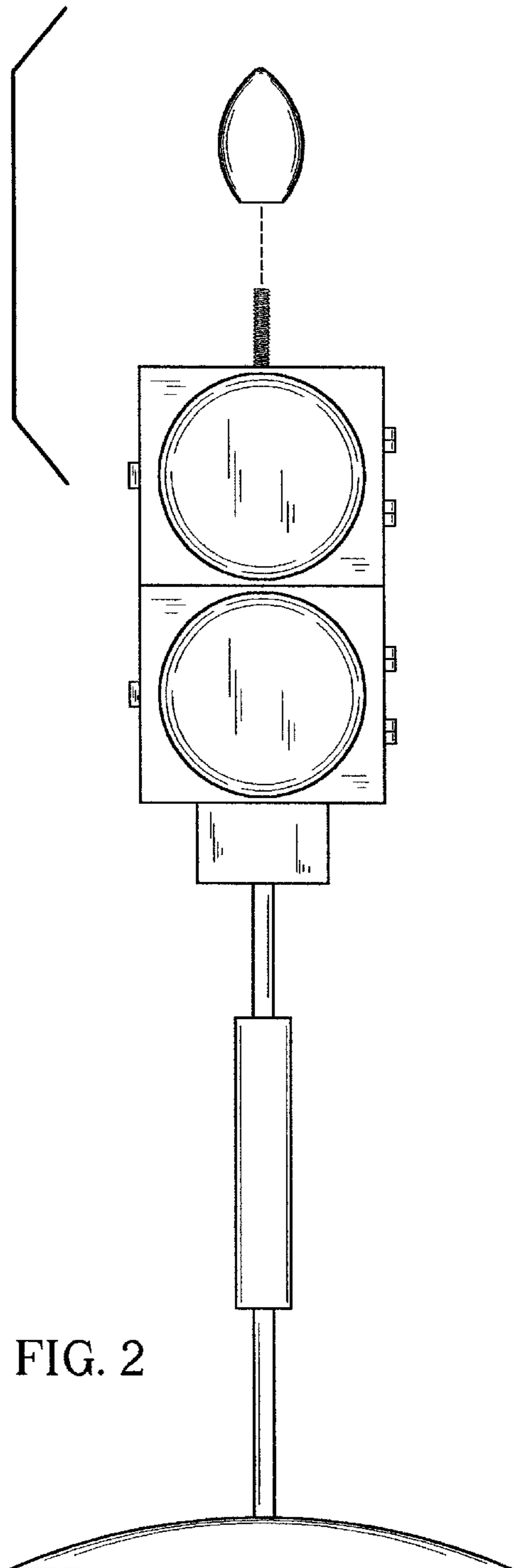
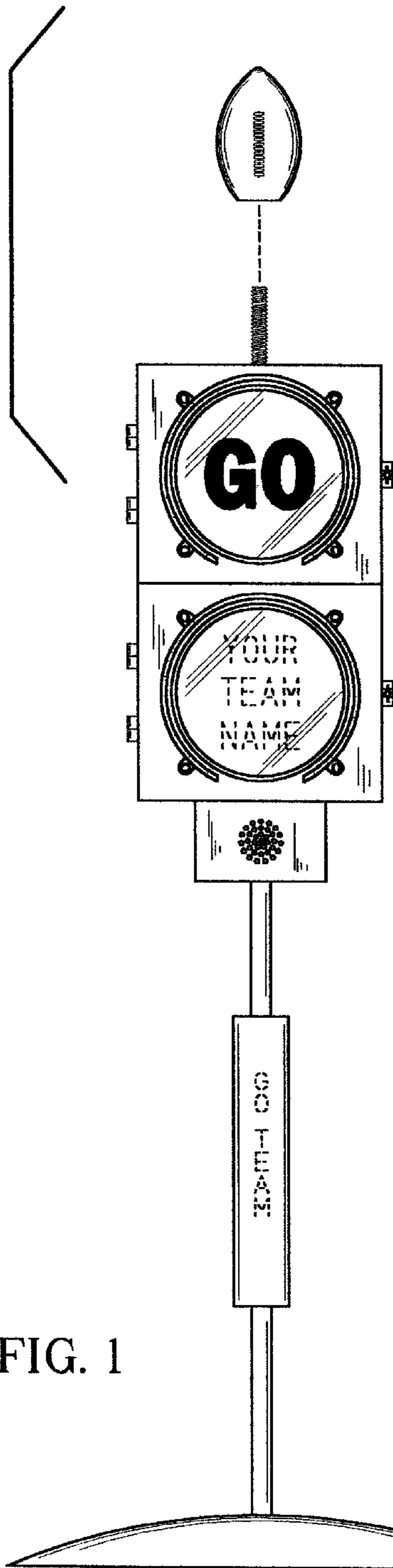
FIG. 7 is a front elevational view of other embodiments of the sporting events signal.

The broken line showing is for illustrative purposes only and forms no part of the claimed design.

\* cited by examiner

**1 Claim, 4 Drawing Sheets**





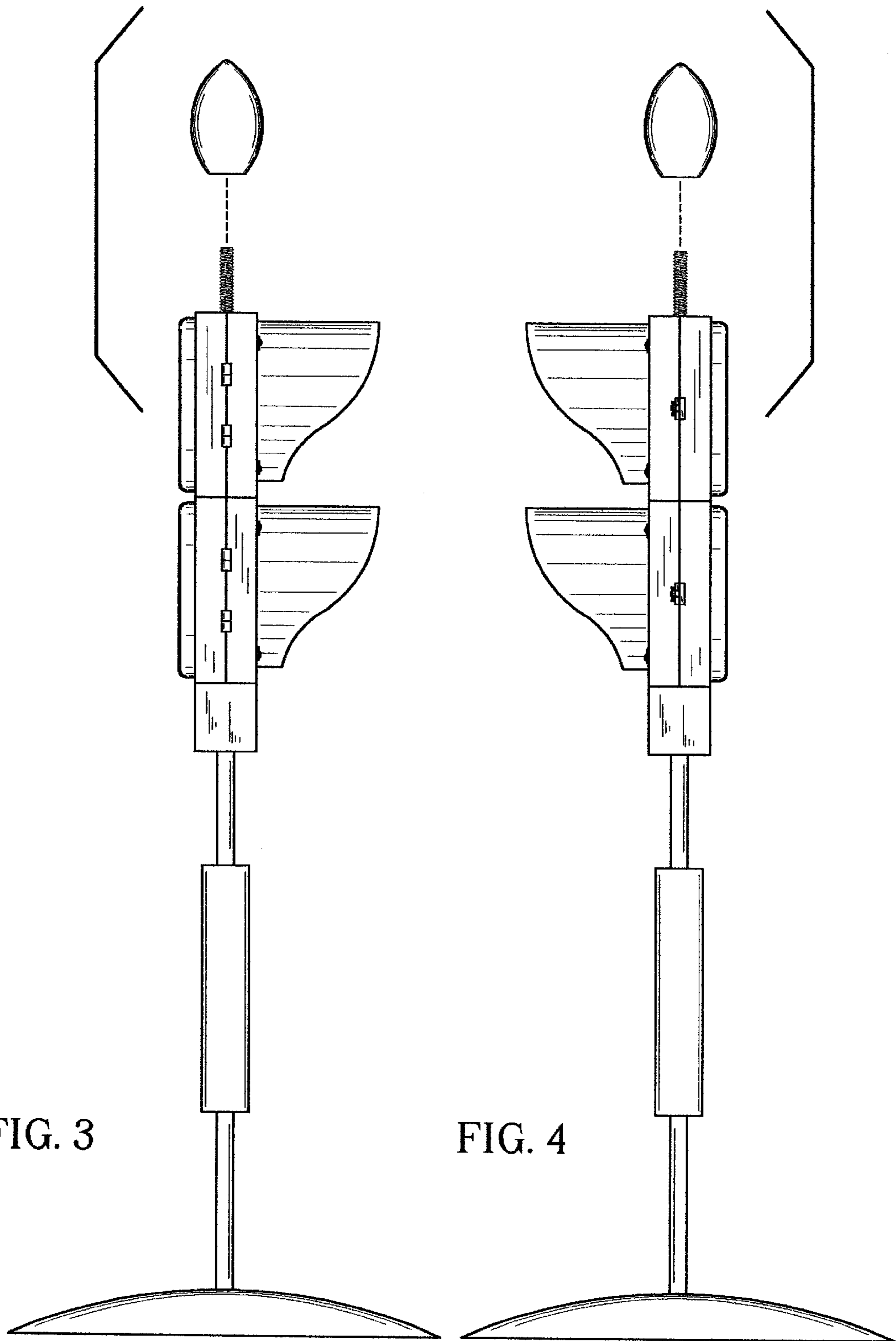


FIG. 3

FIG. 4

FIG. 5

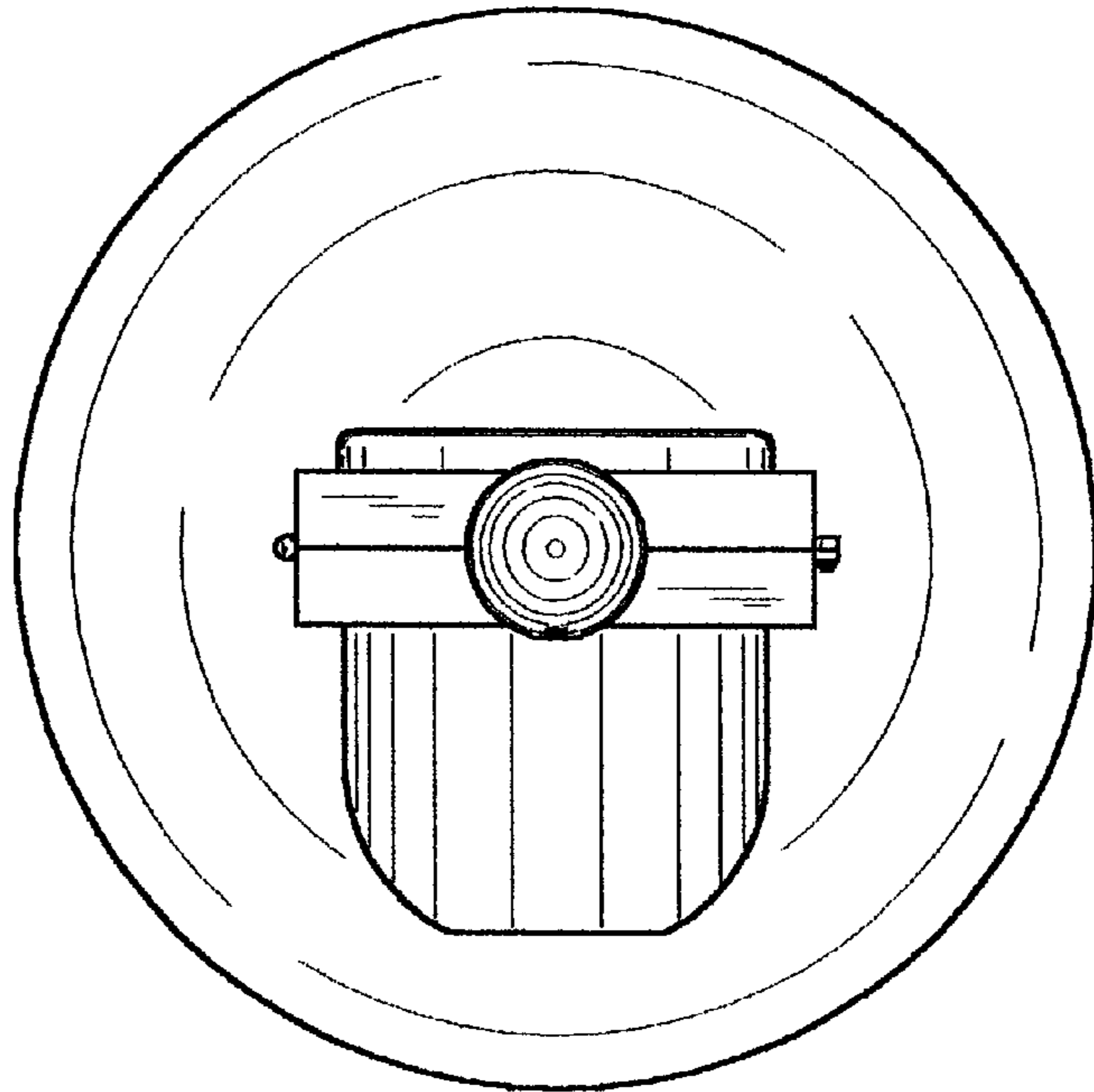
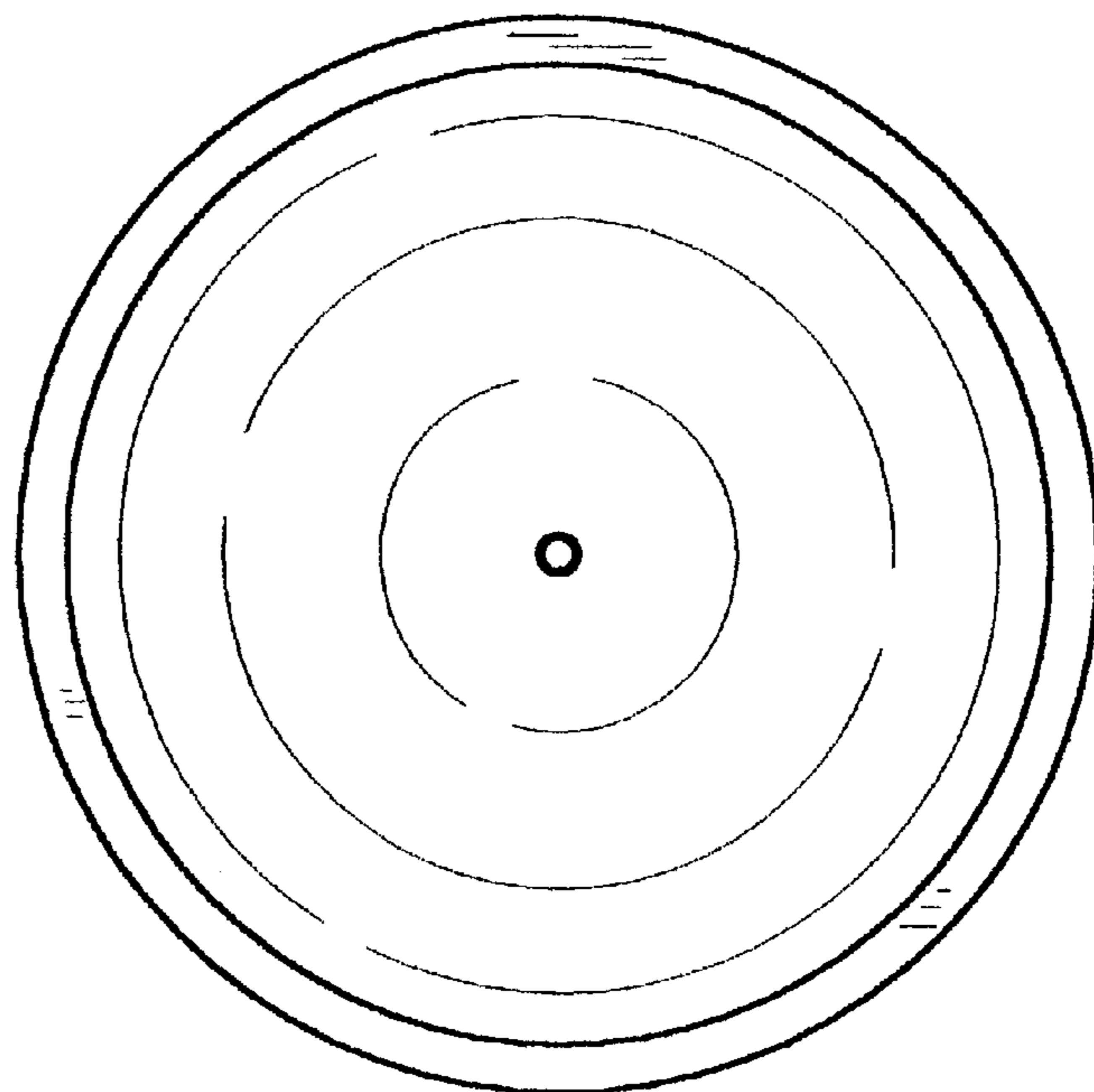


FIG. 6



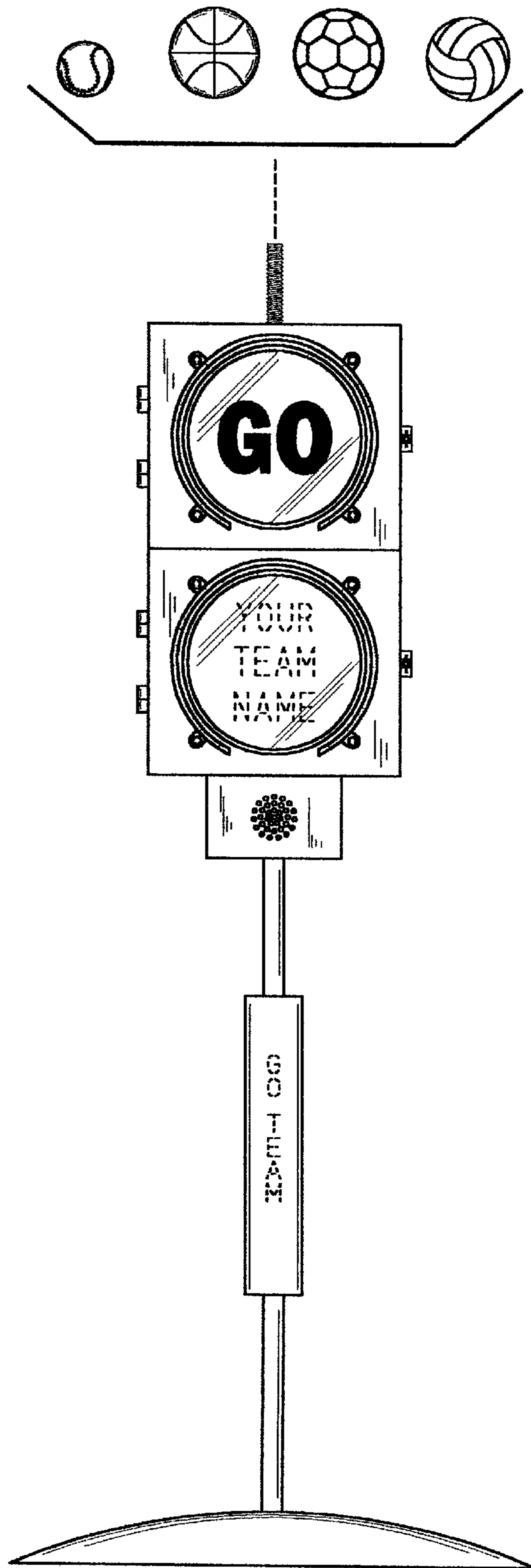


FIG. 7