



US00D490332S

(12) **United States Design Patent**  
**Sandor**

(10) **Patent No.:** **US D490,332 S**

(45) **Date of Patent:** **\*\* May 25, 2004**

(54) **SAMPLE CELL FOR GAS MONITORING**

(75) Inventor: **John L. Sandor**, North Haven, CT (US)

(73) Assignee: **RIC Investments, Inc.**, Wilmington, DE (US)

(\*\*) Term: **14 Years**

(21) Appl. No.: **29/172,165**

(22) Filed: **Dec. 6, 2002**

(51) **LOC (7) Cl.** ..... **18-04**

(52) **U.S. Cl.** ..... **D10/81**

(58) **Field of Search** ..... D10/81; 250/343, 250/341.3; 600/532; 356/437, 411, 434, 325, 440

(56) **References Cited**

**U.S. PATENT DOCUMENTS**

- 5,831,742 A \* 11/1998 Watson et al. .... 356/434
- 6,061,141 A \* 5/2000 Goldenberg et al. .... 356/437
- 6,150,661 A \* 11/2000 McCaul et al. .... 250/343

\* cited by examiner

*Primary Examiner*—Antoine Duval Davis

(74) *Attorney, Agent, or Firm*—Michael W. Haas

(57) **CLAIM**

The ornamental design for a sample cell for gas monitoring, as shown and described.

**DESCRIPTION**

FIG. 1 is a rear perspective view of an embodiment of a sample cell according to our new design;

FIG. 2 is a front perspective view of the sample cell shown in FIG. 1;

FIG. 3 is a front elevational view of the sample cell shown in FIG. 1;

FIG. 4 is a rear elevational view of the sample cell shown in FIG. 1;

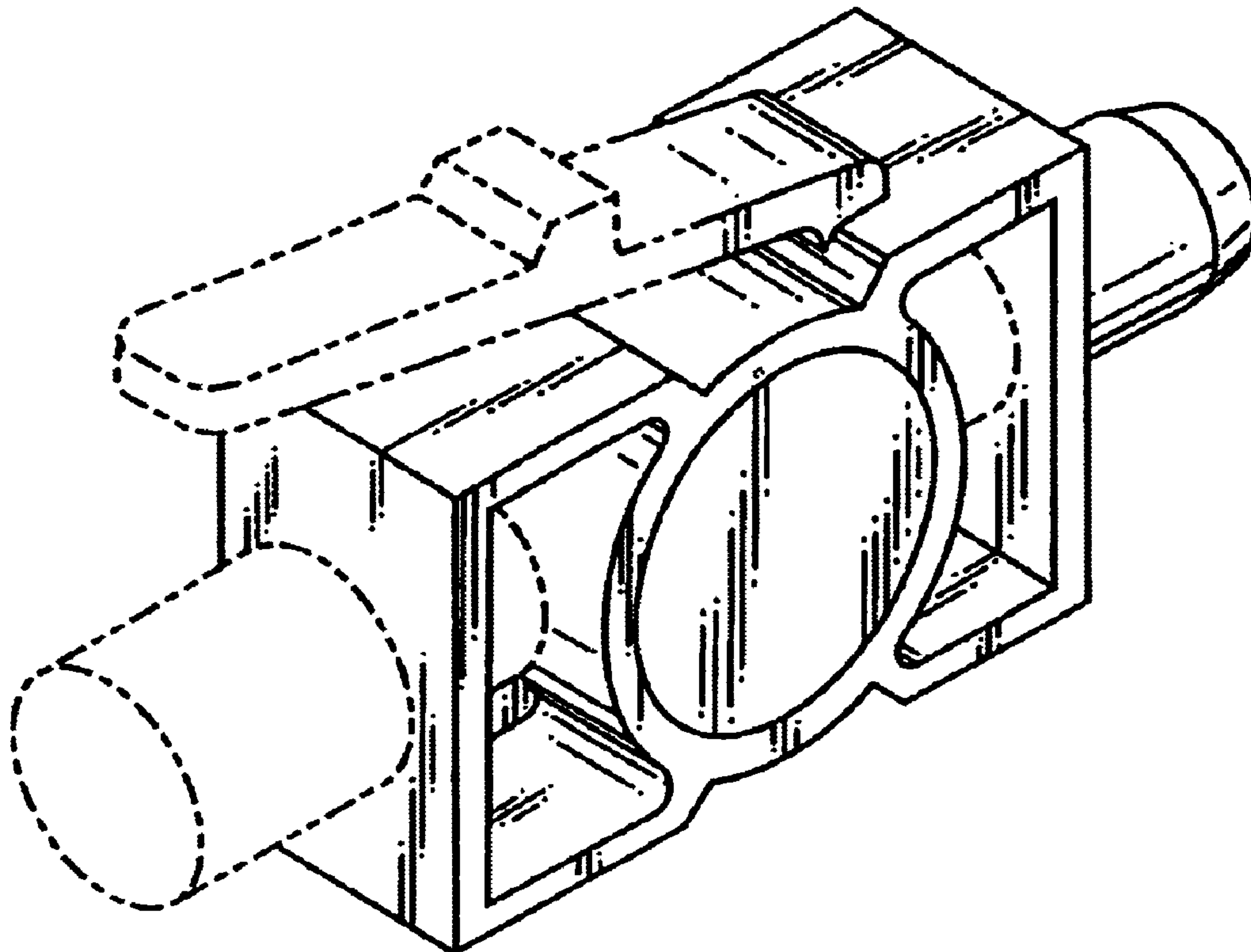
FIG. 5 is a top plan view of the sample cell shown in FIG. 1;

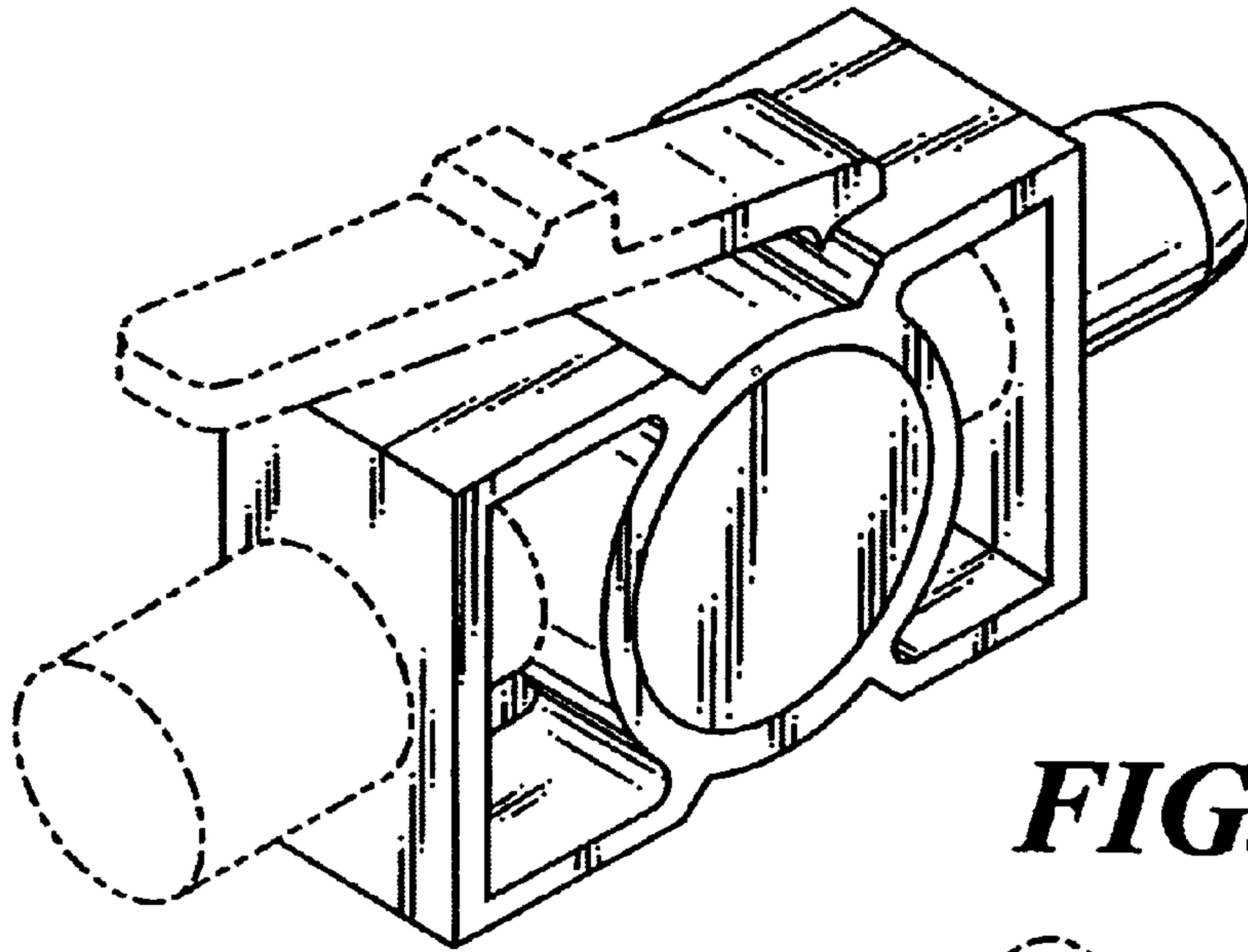
FIG. 6 is a bottom plan view of the sample cell shown in FIG. 1; and,

FIG. 7 is a right side elevational view of the sample shown in FIG. 1, the left side elevational view being similar thereto;

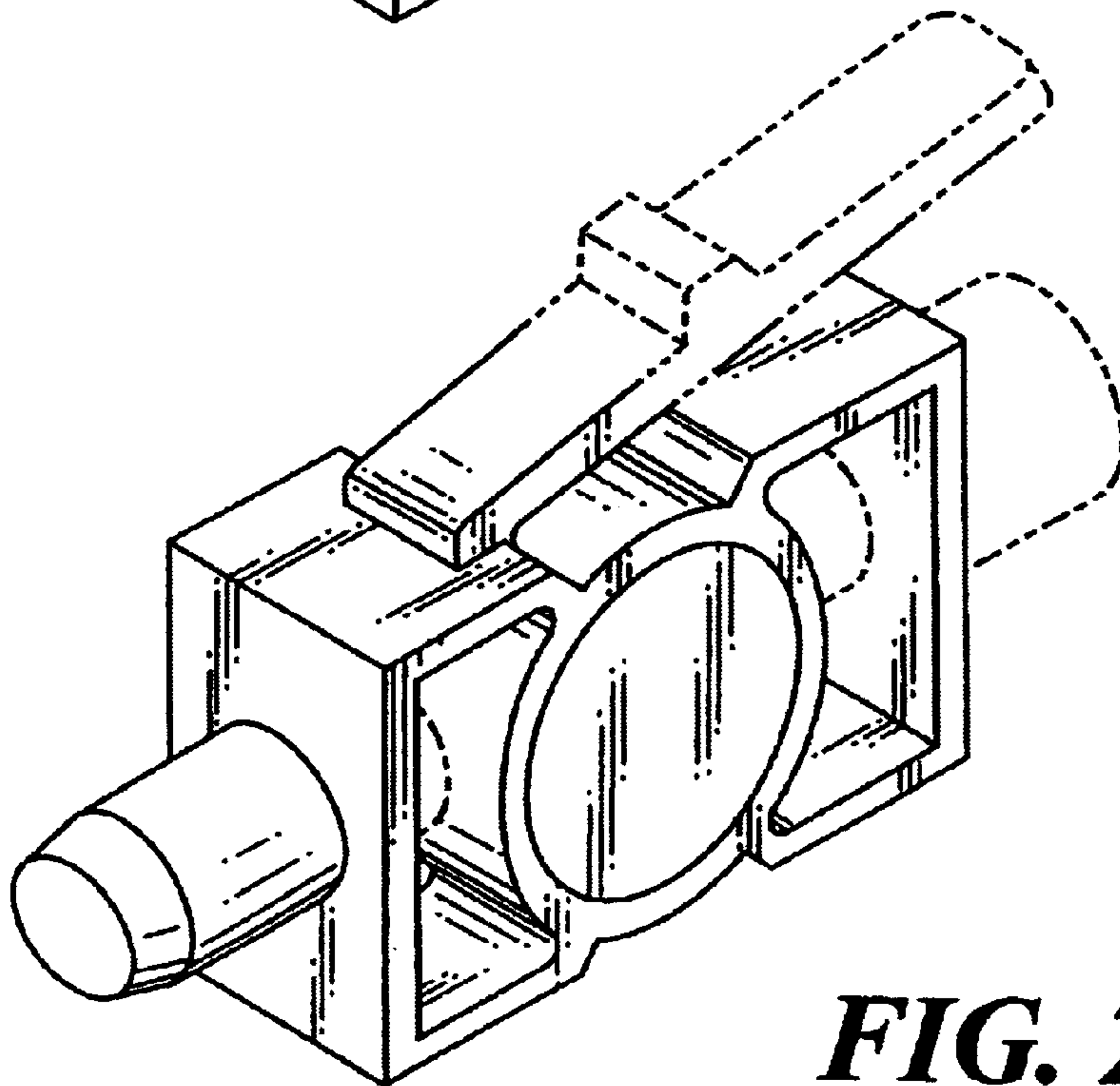
The portions drawn in broken lines are shown for illustrative purposes only and form no part of the claimed design.

**1 Claim, 3 Drawing Sheets**

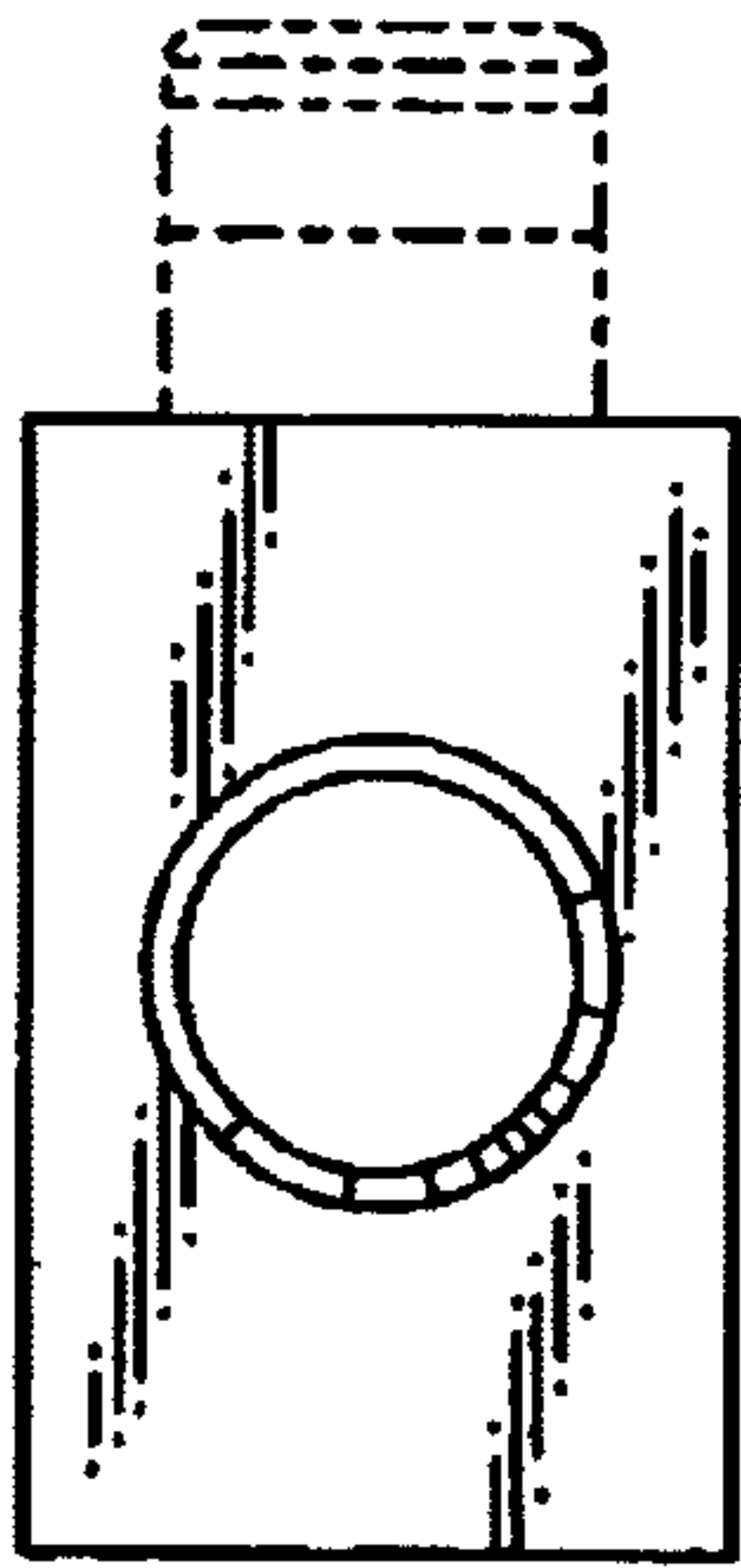




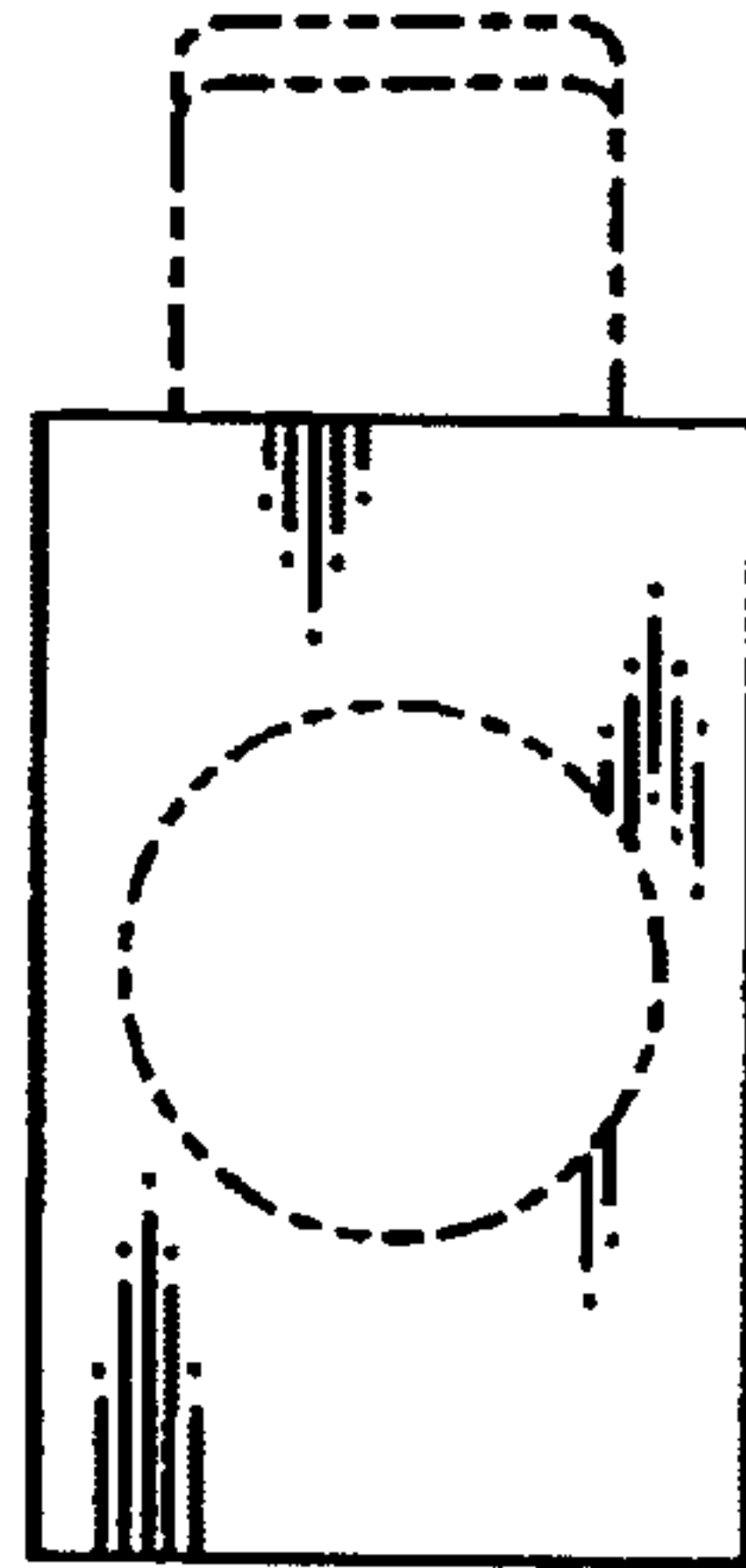
**FIG. 1**



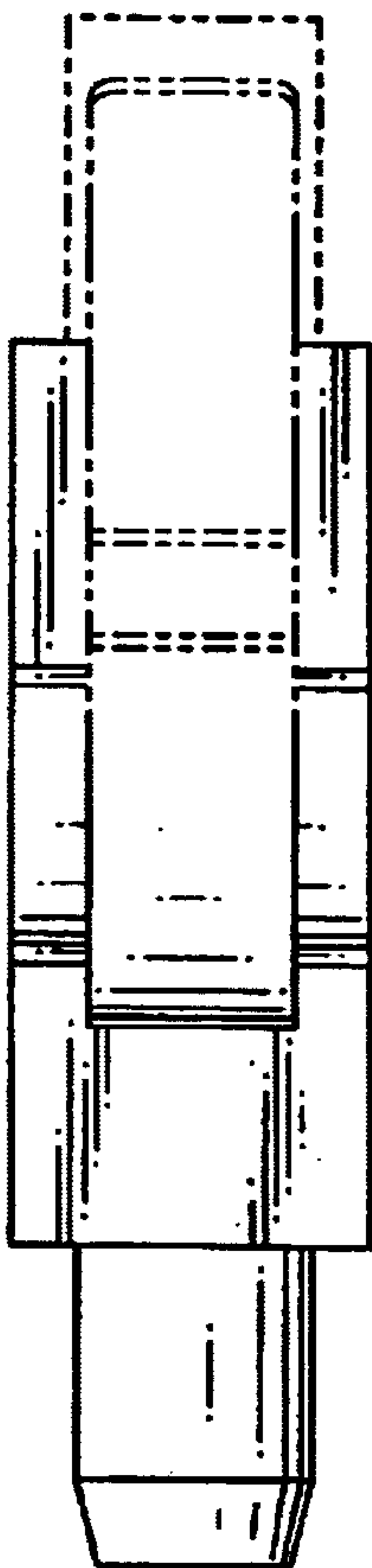
**FIG. 2**



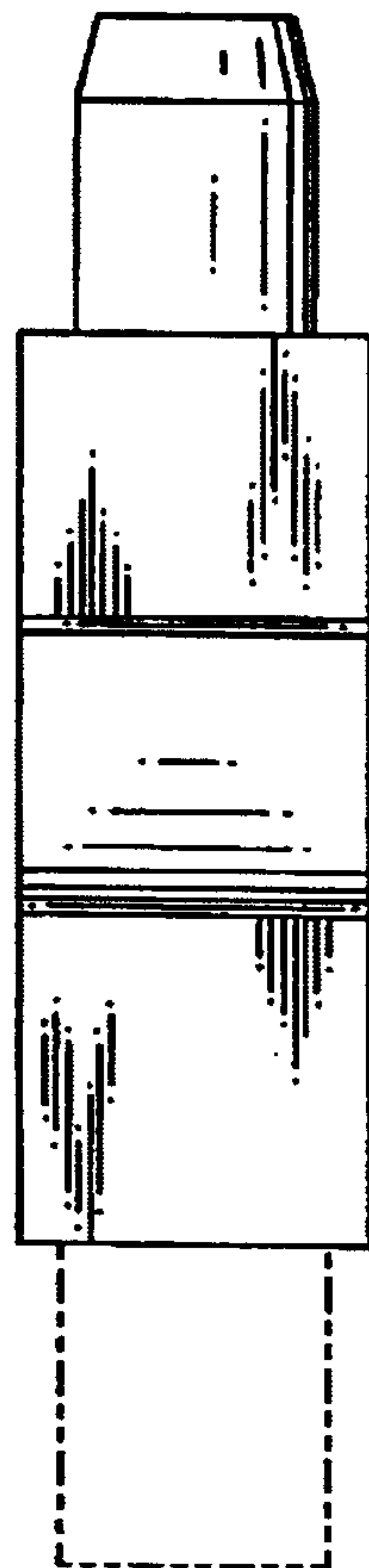
**FIG. 3**



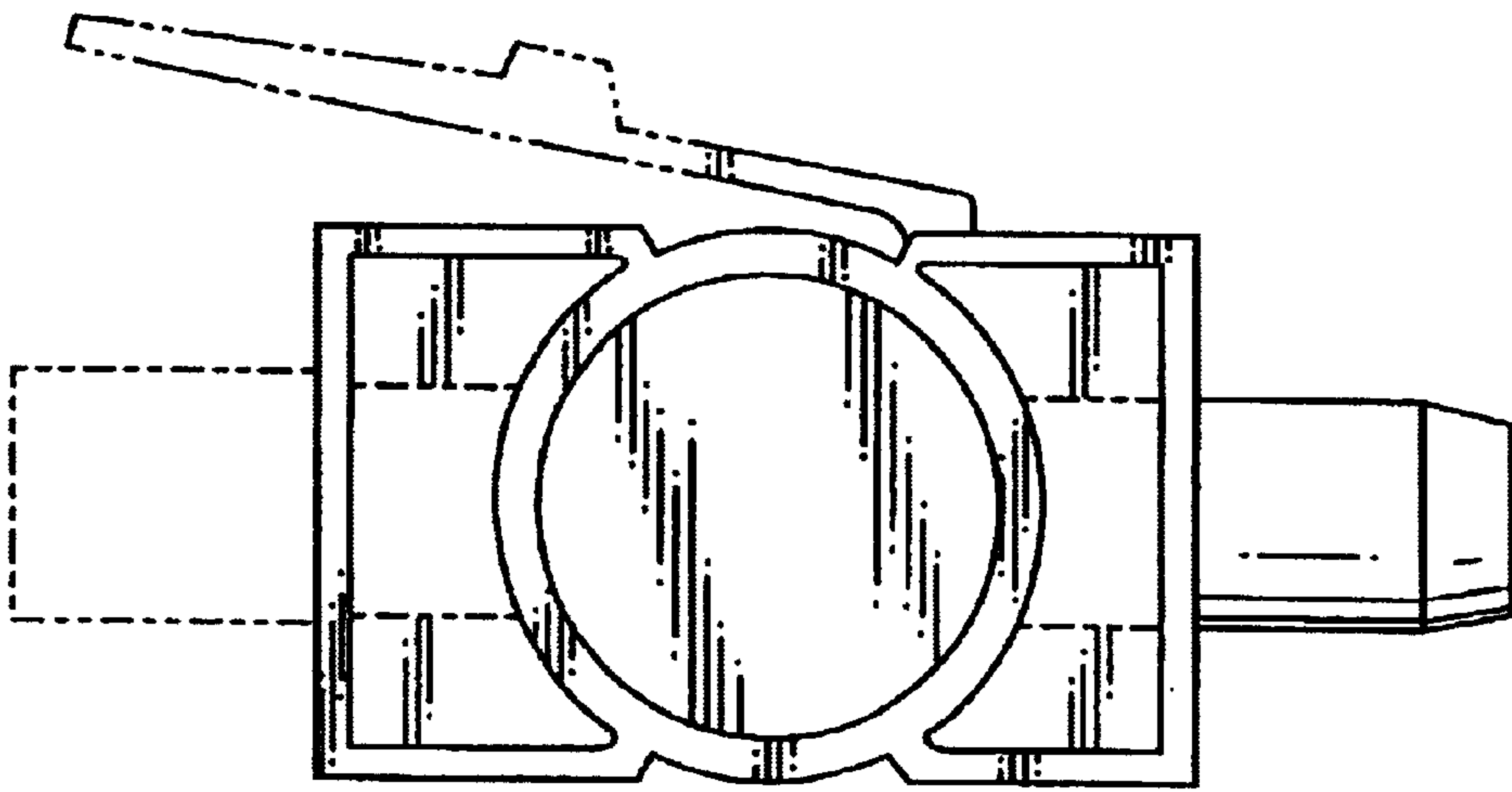
**FIG. 4**



**FIG. 5**



**FIG. 6**



**FIG. 7**