



US00D490330S

(12) **United States Design Patent**
Konen

(10) **Patent No.:** **US D490,330 S**

(45) **Date of Patent:** **** May 25, 2004**

(54) **FISH TAPE HANDLE**

6,513,791 B1 * 2/2003 Yates 254/134.3 FT
D475,609 S * 6/2003 Lin D8/359

(75) Inventor: **Bruce P. Konen**, Aurora, IL (US)

* cited by examiner

(73) Assignee: **Ideal Industries, Inc.**, Sycamore, IL (US)

Primary Examiner—Lucy Lieberman
(74) *Attorney, Agent, or Firm*—Cook, Alex, McFarron, Manzo, Cummings & Mehler, Ltd.

(**) Term: **14 Years**

(21) Appl. No.: **29/190,460**

(57) **CLAIM**

(22) Filed: **Sep. 19, 2003**

The ornamental design for a fish tape handle, as shown and described.

(51) **LOC (7) Cl.** **10-04**

DESCRIPTION

(52) **U.S. Cl.** **D10/74; D10/72**

(58) **Field of Search** D10/72, 74; 33/755-771; 242/397.2-397.5, 405.3, 390.1, 396.7, 396.1, 396.2; D13/154, 137.4; 254/134.3 FT; D8/359

FIG. 1 is a perspective view of my new design for a fish tape handle;
FIG. 2 is a rear elevation view thereof;
FIG. 3 is a left side elevation view thereof;
FIG. 4 is a front elevation view thereof;
FIG. 5 is a right side elevation view thereof;
FIG. 6 is a top plan view thereof; and,
FIG. 7 is a bottom plan view thereof.

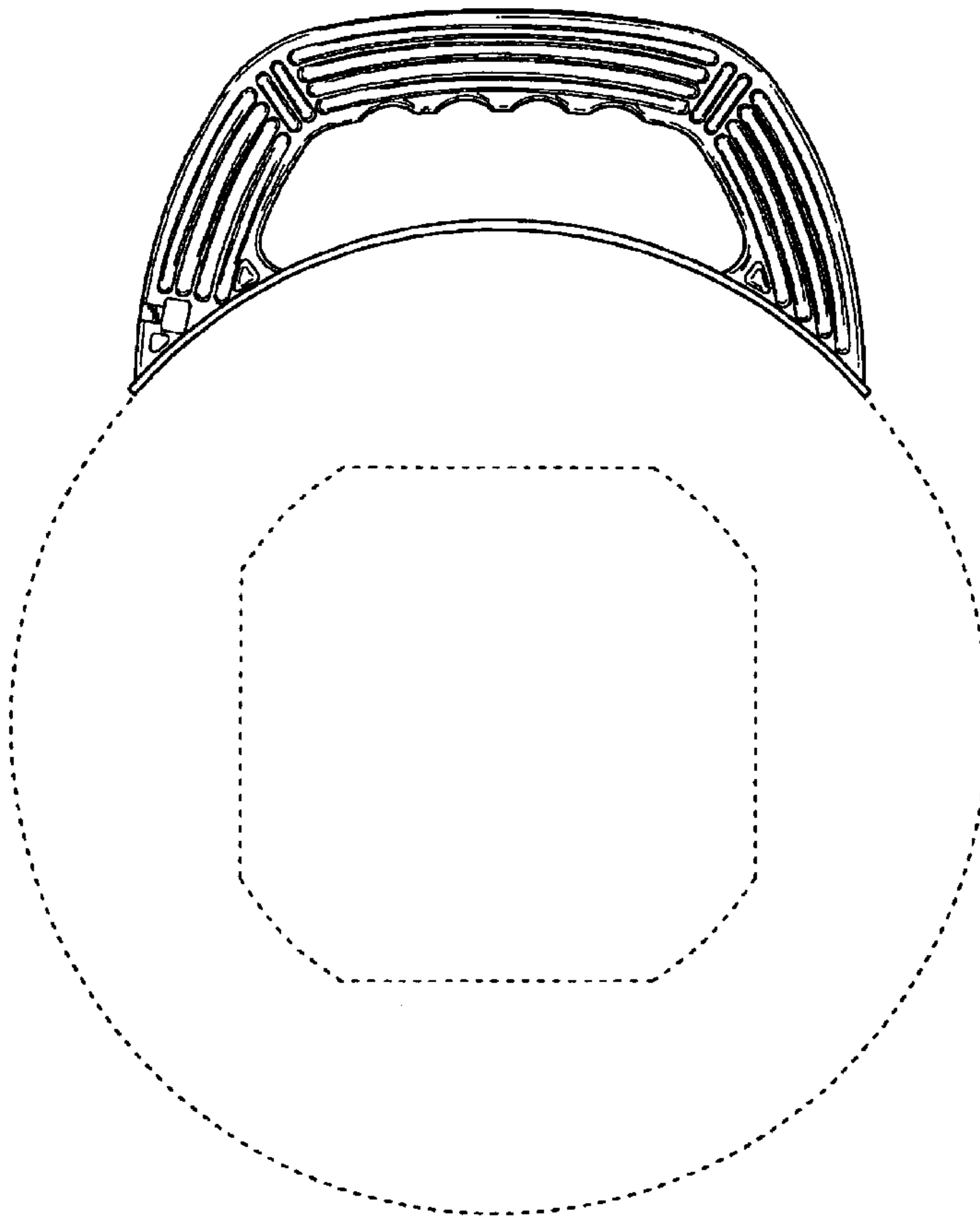
(56) **References Cited**

U.S. PATENT DOCUMENTS

D351,561 S	*	10/1994	Moffatt et al.	D10/72
D352,449 S	*	11/1994	Rosine	D8/359
D396,012 S	*	7/1998	Walsten	D10/74
D398,870 S	*	9/1998	Konen et al.	D10/72
D408,749 S	*	4/1999	Walsten	D10/72
D442,551 S	*	5/2001	Stekelenburg	D13/137.4
6,361,021 B1	*	3/2002	Brennan	254/134.3 FT

The broken line showing of the fish tape case in FIGS. 1-7 is for illustrative purposes only and forms no part of the claimed design.

1 Claim, 4 Drawing Sheets



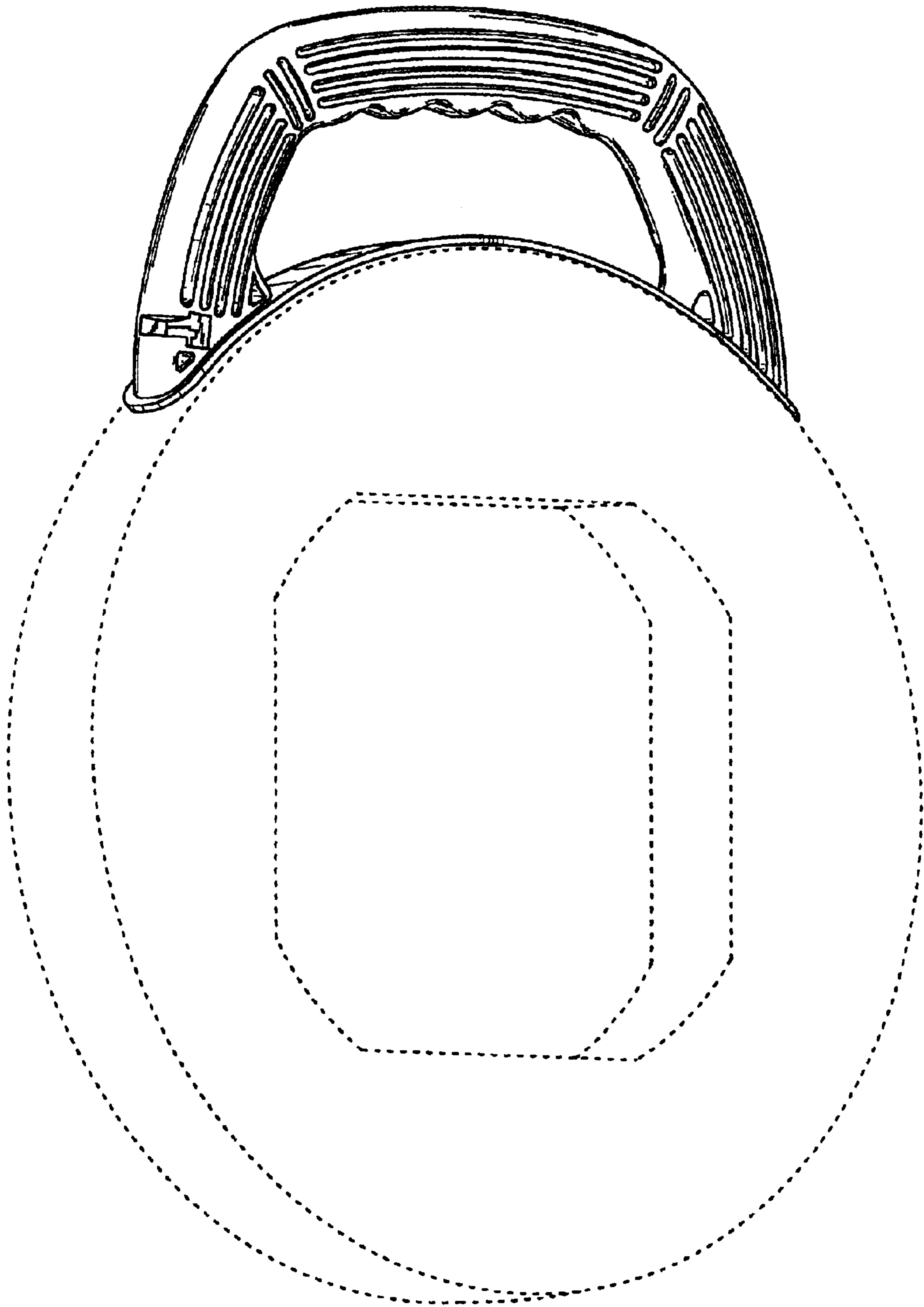


Fig. 1



Fig. 3

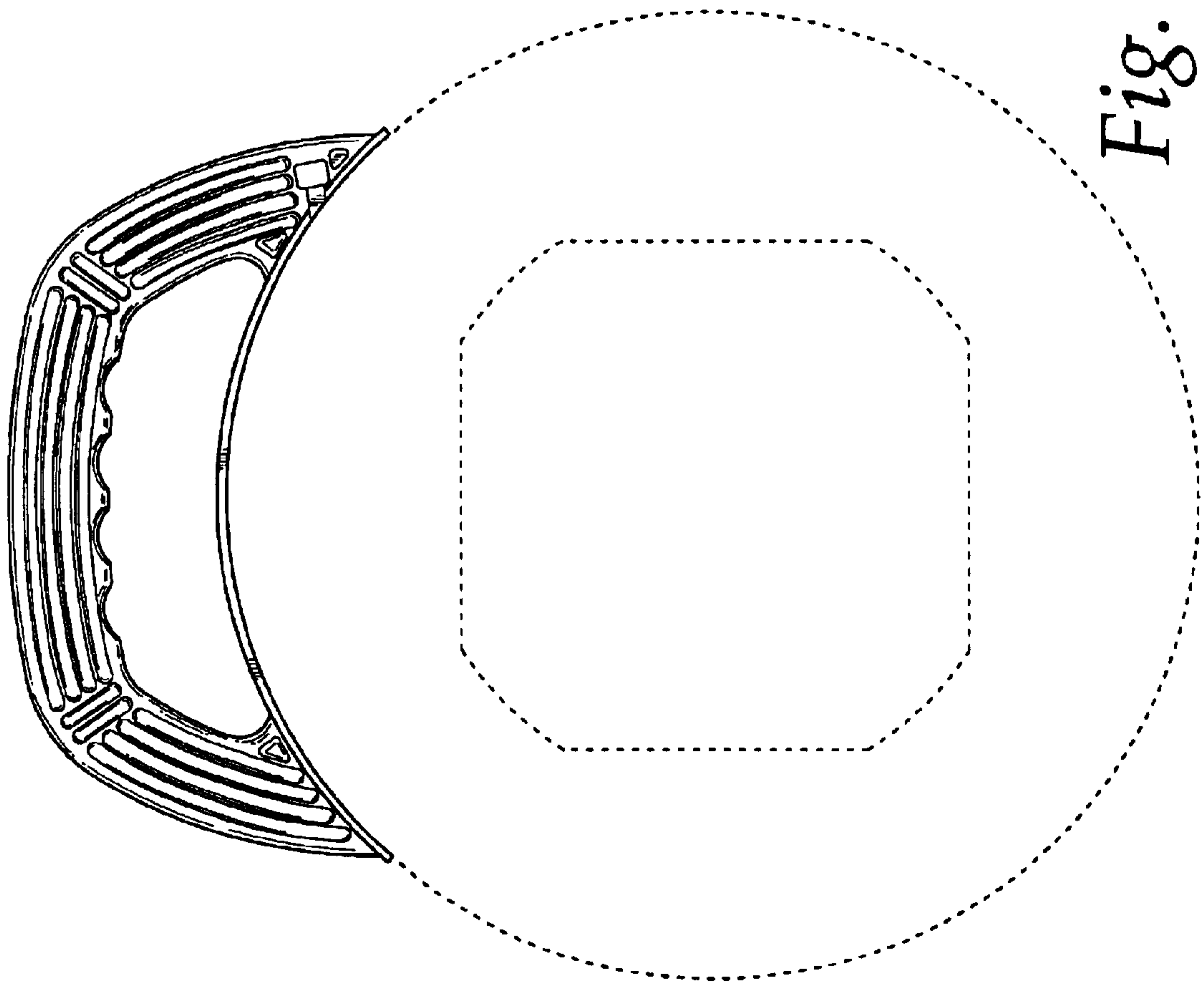


Fig. 2

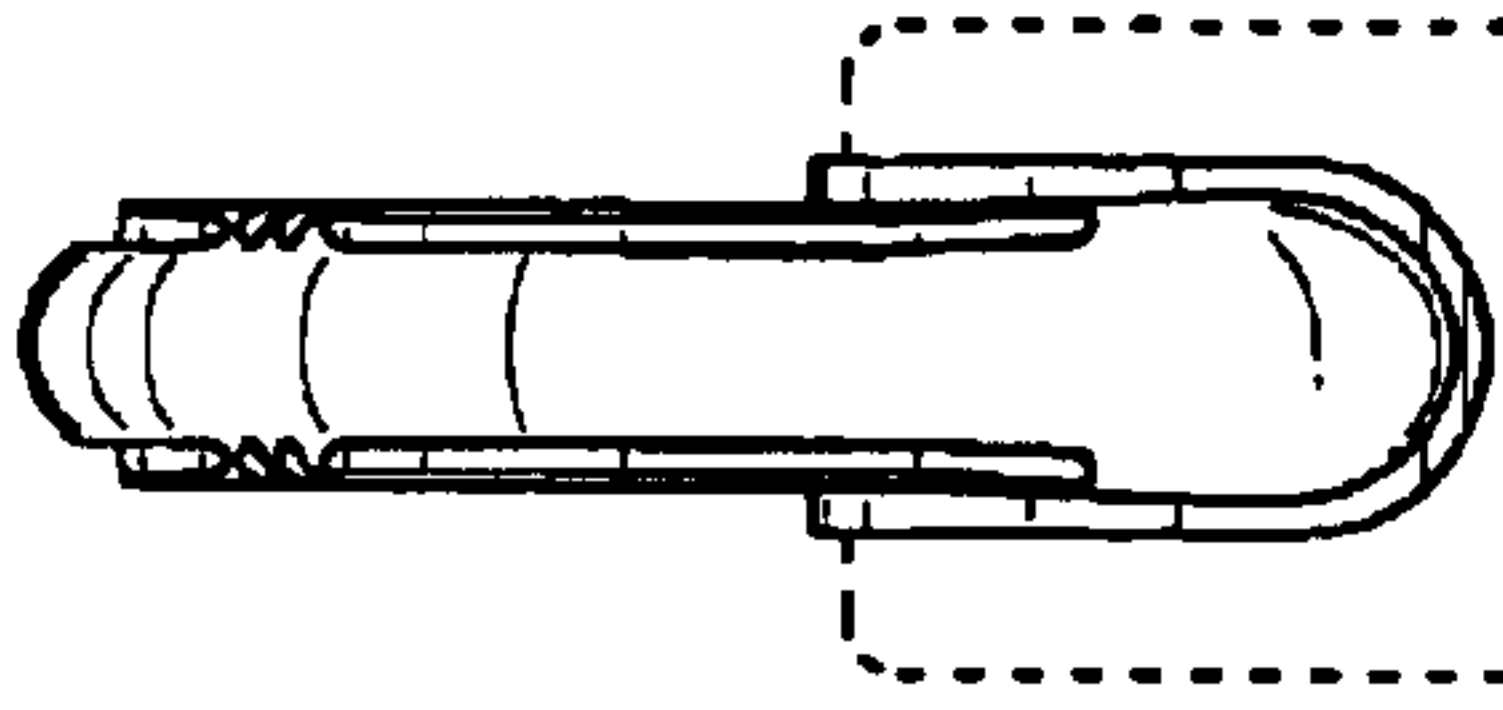


Fig. 5

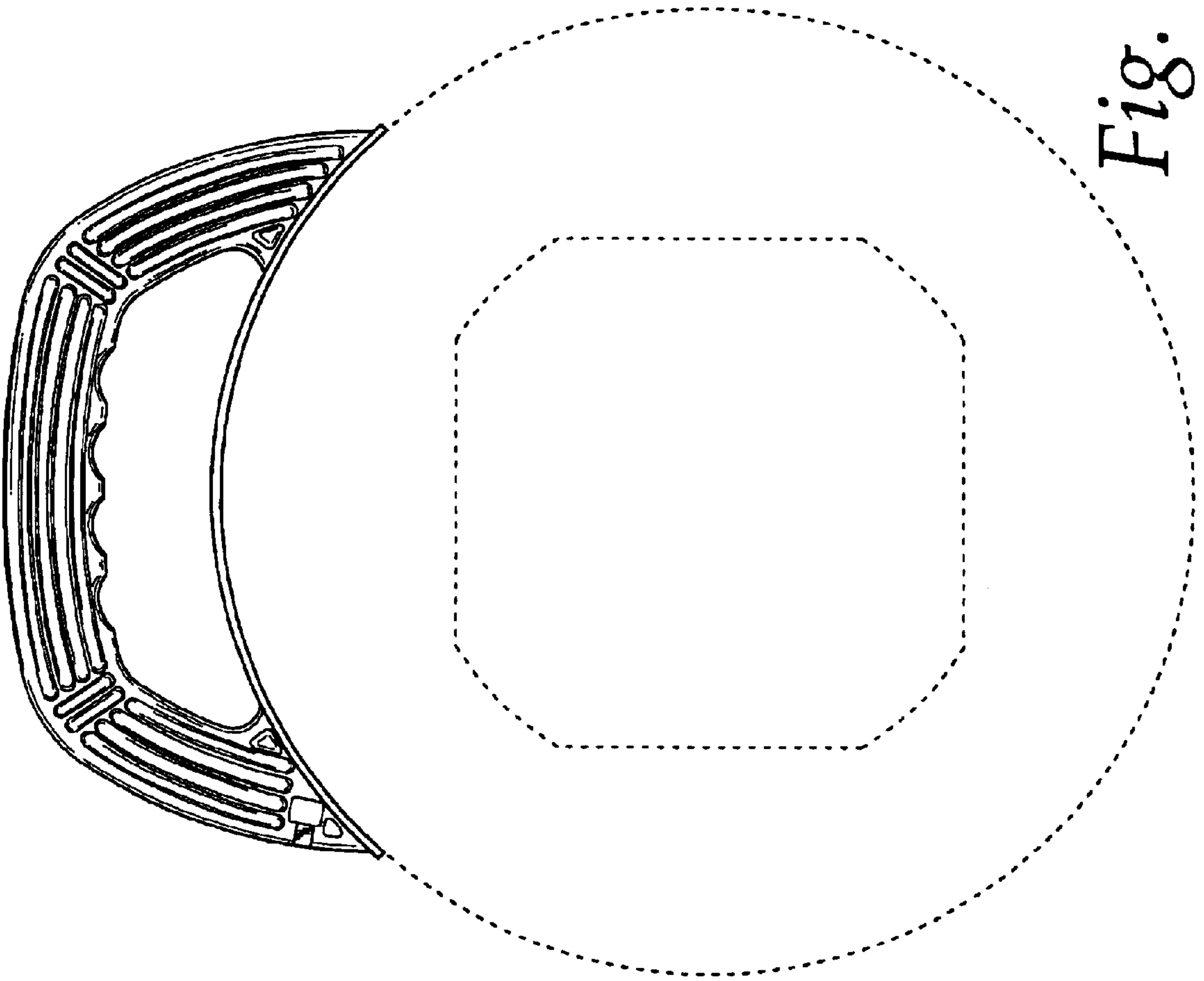


Fig. 4

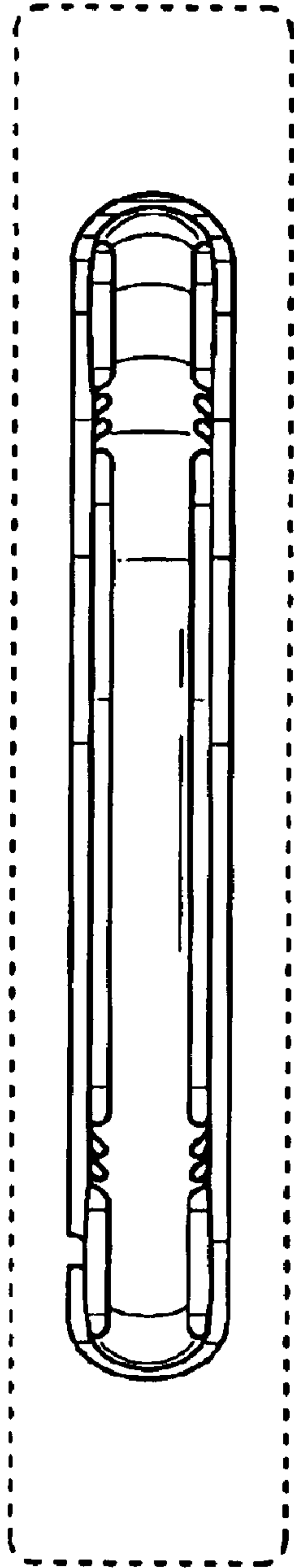


Fig. 6

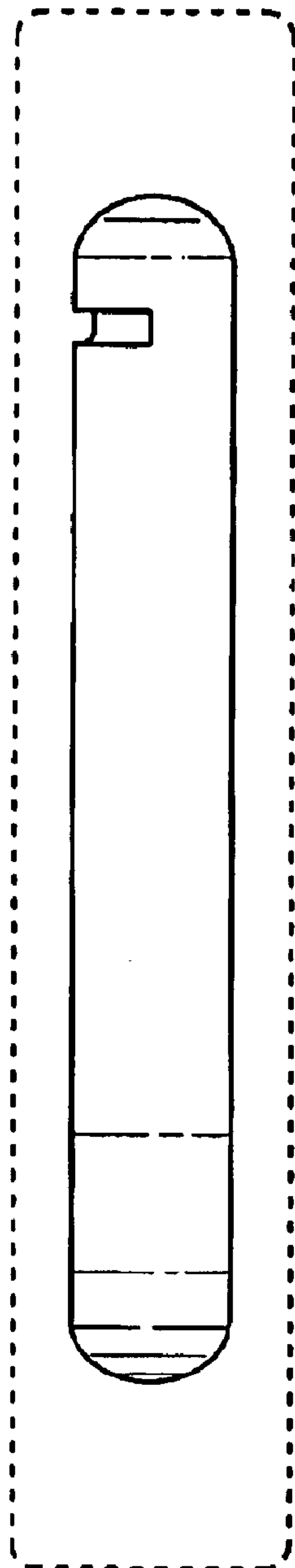


Fig. 7