



US00D490328S

(12) **United States Design Patent**
Peterson et al.

(10) **Patent No.:** **US D490,328 S**

(45) **Date of Patent:** **** May 25, 2004**

(54) **DIMENSIONING SYSTEM**

(75) Inventors: **Thomas W. Peterson**, Taylorsville, UT (US); **David O. Meyers**, Kaysville, UT (US); **Marie L. Midboe**, Salt Lake City, UT (US)

(73) Assignee: **Quantronix, Inc.**, Farmington, UT (US)

(**) Term: **14 Years**

(21) Appl. No.: **29/175,624**

(22) Filed: **Feb. 7, 2003**

(51) **LOC (7) Cl.** **10-04**

(52) **U.S. Cl.** **D10/63**

(58) **Field of Search** D10/63, 65; 364/564; 367/96, 99

(56) **References Cited**

U.S. PATENT DOCUMENTS

5,042,015 A	8/1991	Stringer
5,105,392 A	4/1992	Stringer et al.
5,220,536 A	6/1993	Stringer et al.
5,422,861 A	6/1995	Stringer et al.
5,606,534 A	2/1997	Stringer et al.

5,850,370 A	12/1998	Stringer et al.	
5,878,379 A	*	3/1999	Dlugos et al. 702/156
6,064,629 A	5/2000	Stringer et al.	
6,298,009 B1	10/2001	Stringer	

* cited by examiner

Primary Examiner—Antoine Duval Davis

(74) *Attorney, Agent, or Firm*—TraskBritt

(57) **CLAIM**

The ornamental design for a dimensioning system, as shown and described.

DESCRIPTION

FIG. 1 is a perspective view of a dimensioning system showing our design;
FIG. 2 is a front view of our design;
FIG. 3 is a rear view thereof;
FIG. 4 is a right side thereof;
FIG. 5 is a left side thereof;
FIG. 6 is a top plan view thereof; and,
FIG. 7 is a bottom plan view thereof.

The broken lines in the drawing figures are for illustrative purposes only and do not form a part of the claimed design.

1 Claim, 7 Drawing Sheets

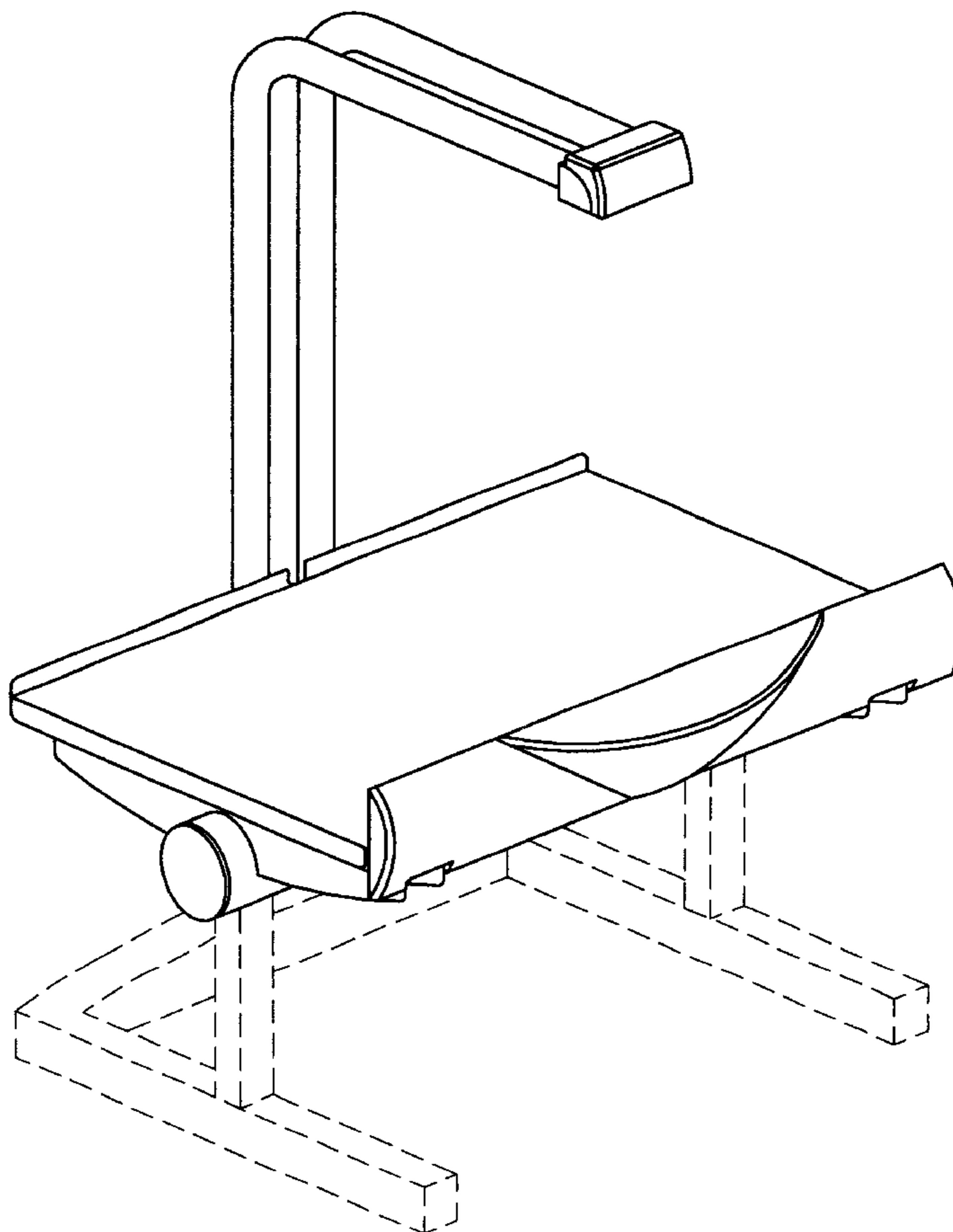


FIG. 1

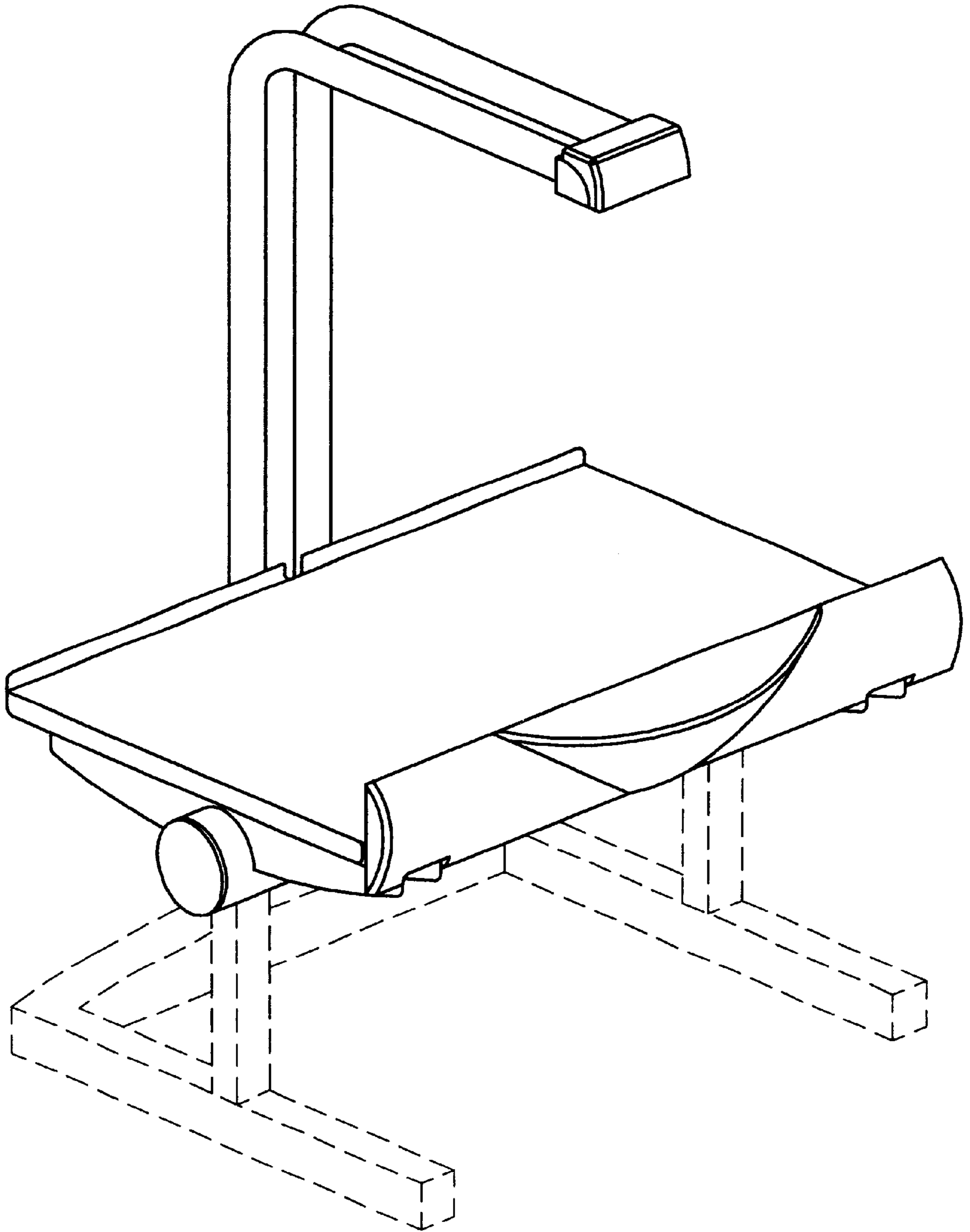


FIG. 2

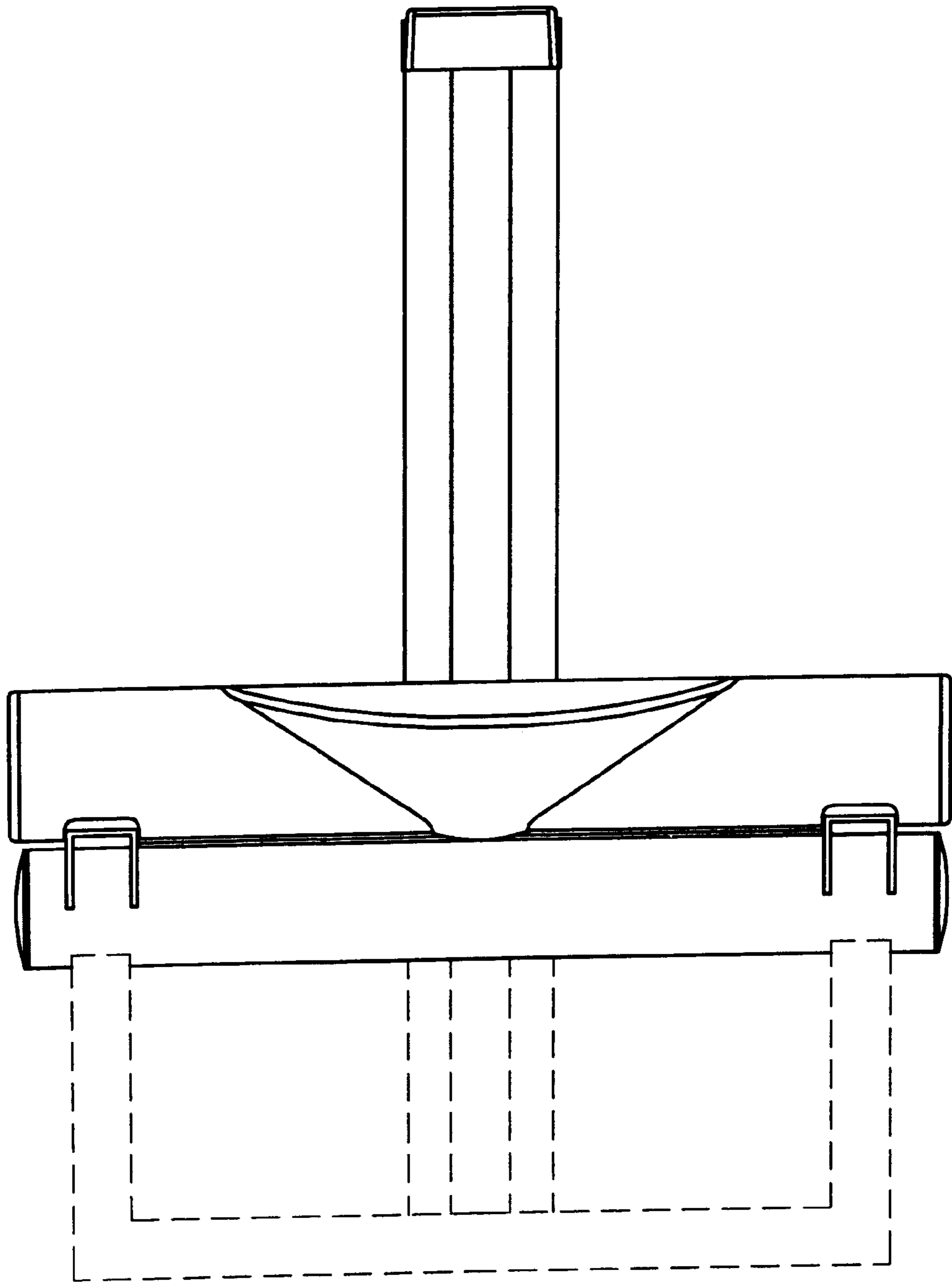


FIG. 3

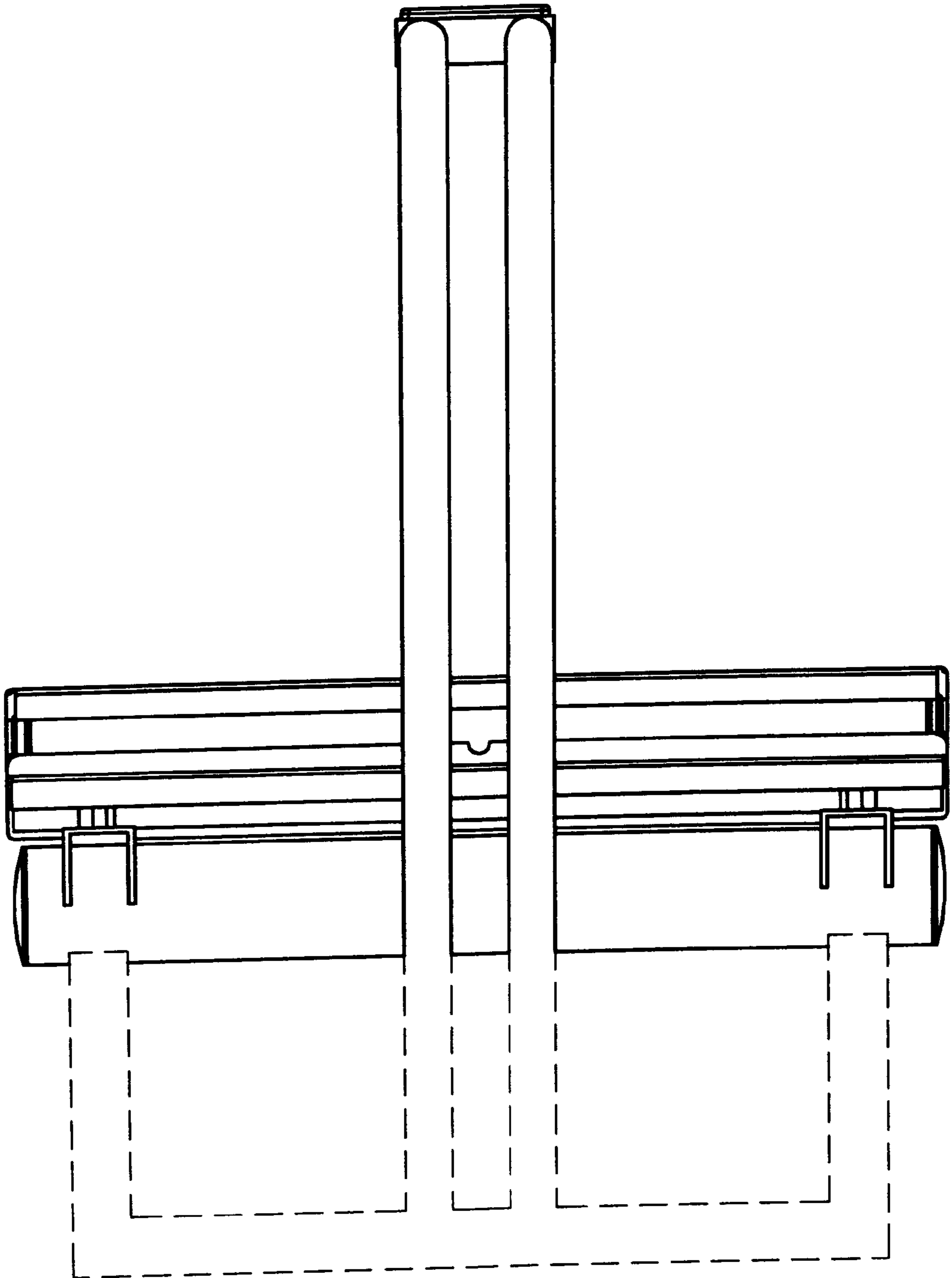


FIG. 4

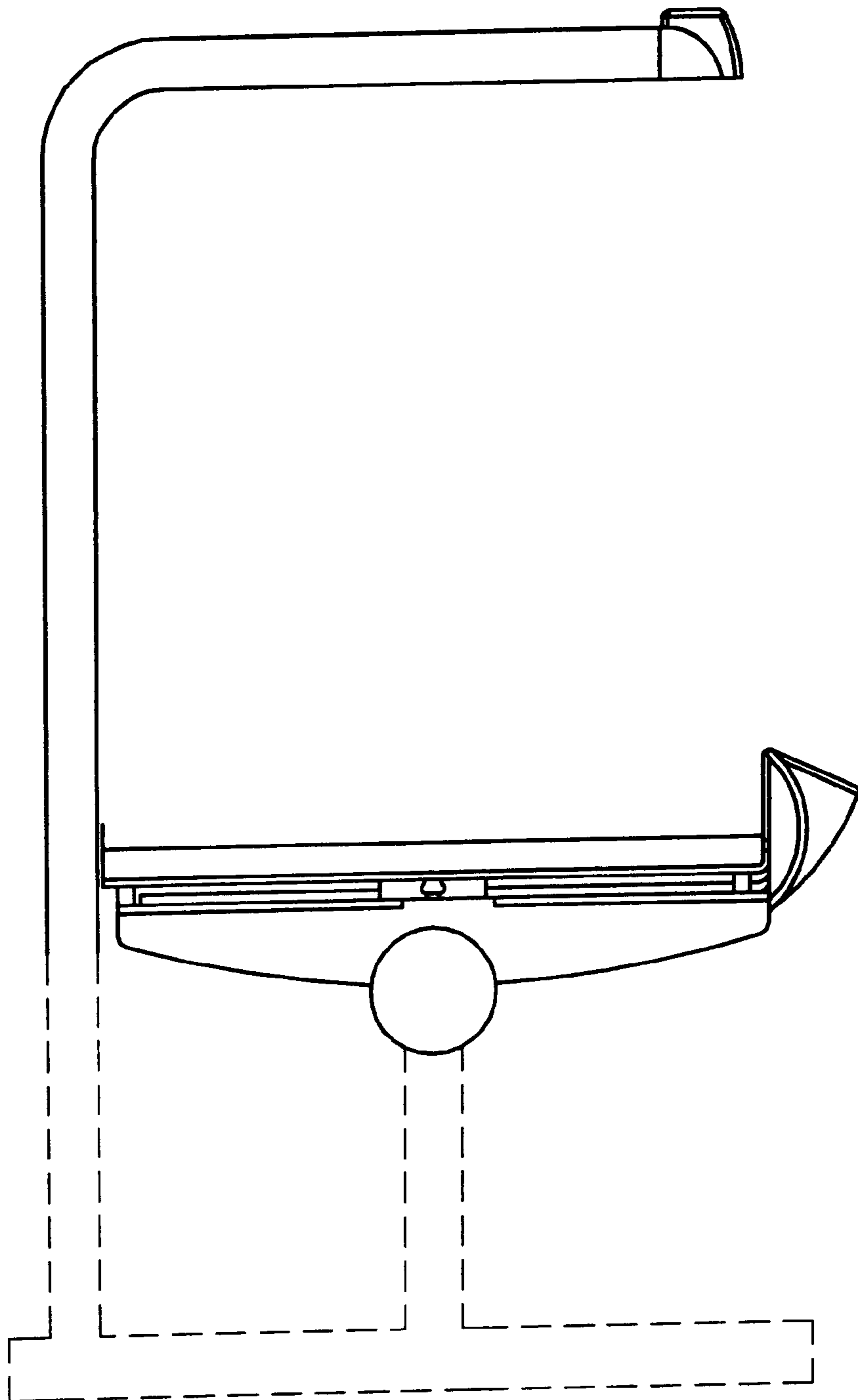


FIG. 5

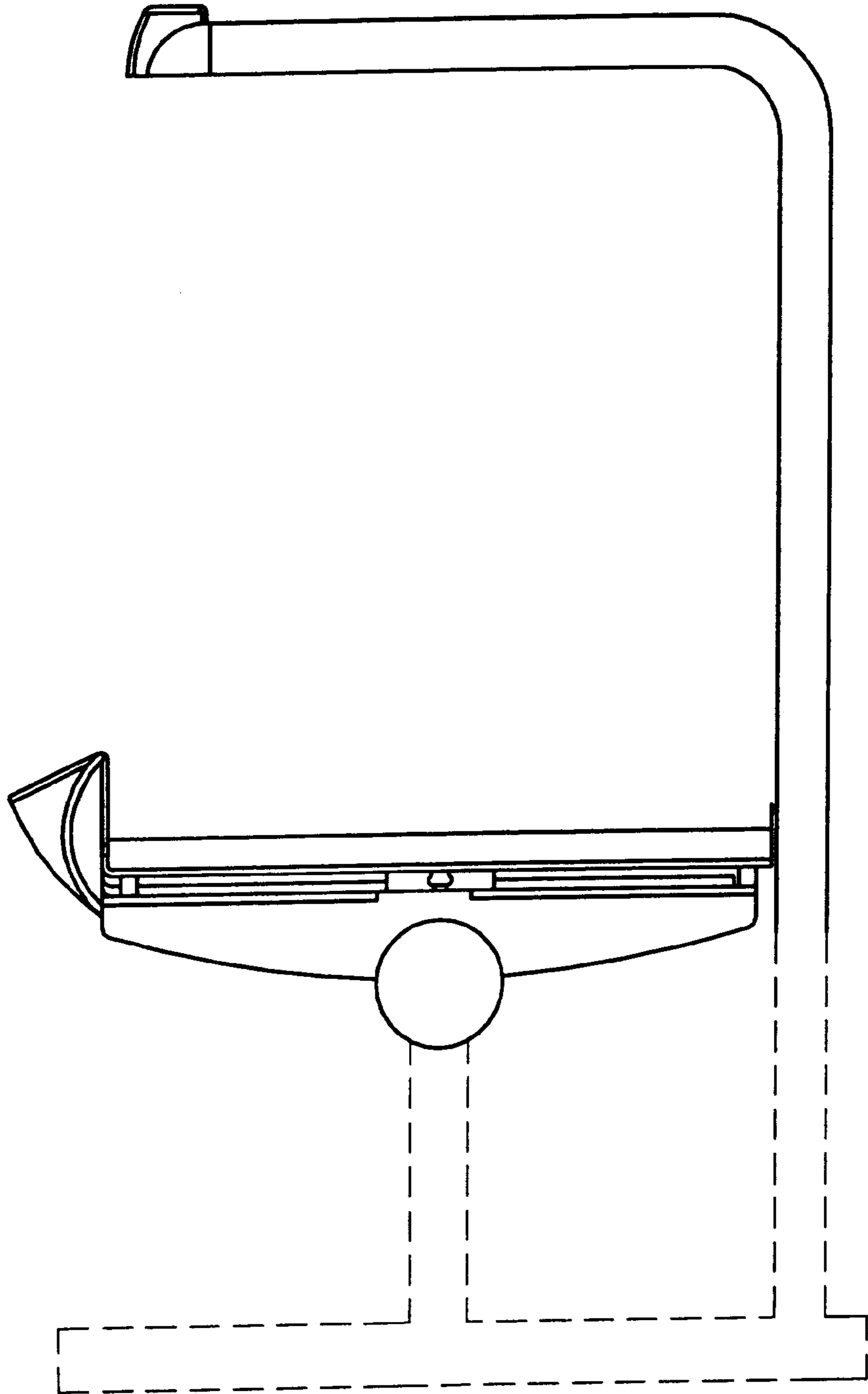


FIG. 6

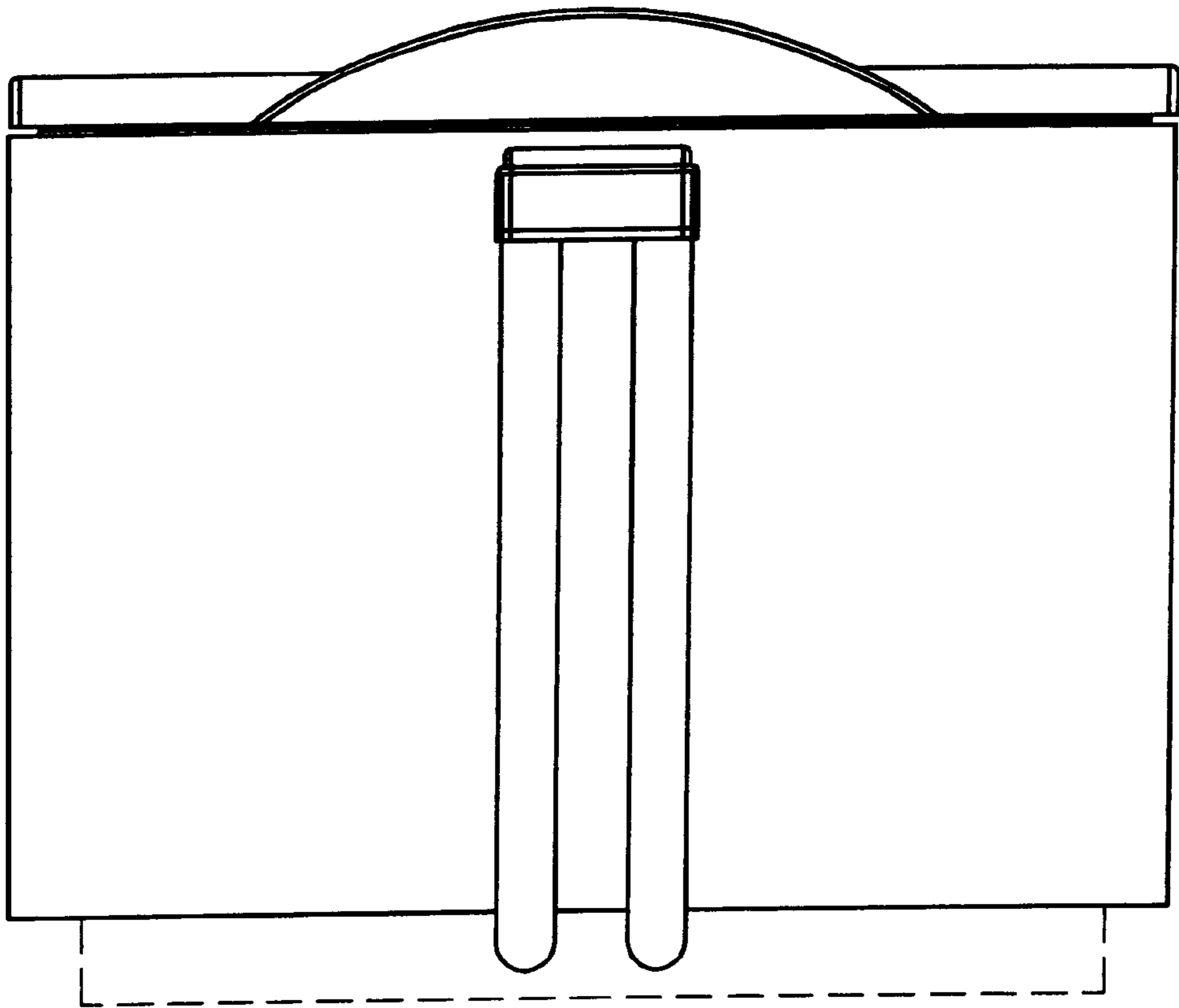


FIG. 7

