



US00D490325S

(12) **United States Design Patent**
de Limburg-Stirum

(10) **Patent No.:** **US D490,325 S**

(45) **Date of Patent:** **** May 25, 2004**

(54) **WATCH**

(75) **Inventor:** **Louis de Limburg-Stirum, Huldenberg (BE)**

(73) **Assignee:** **La Montre Hermes, S.A., Brugg (CH)**

(**) **Term:** **14 Years**

(21) **Appl. No.:** **29/172,881**

(22) **Filed:** **Dec. 19, 2002**

(51) **LOC (7) Cl.** **10-02**

(52) **U.S. Cl.** **D10/39**

(58) **Field of Search** D10/1-40, 122-132;
368/280-282, 276-277, 285, 294-295

(56) **References Cited**

U.S. PATENT DOCUMENTS

- D421,918 S * 3/2000 Bodino D10/32
- D440,886 S * 4/2001 Burgener D10/32
- D447,425 S * 9/2001 Bodino D10/32

- D452,171 S * 12/2001 Bodino D10/32
- D468,217 S * 1/2003 Lepeu et al. D10/32
- D478,515 S * 8/2003 Sugiura et al. D10/32

* cited by examiner

Primary Examiner—Nelson C. Holtje

(74) *Attorney, Agent, or Firm*—Darby & Darby

(57) **CLAIM**

The ornamental design for a watch, as shown and described.

DESCRIPTION

FIG. 1 is a front perspective view of a watch showing my new design;

FIG. 2 is a front elevational view thereof;

FIG. 3 is a right side elevational view thereof;

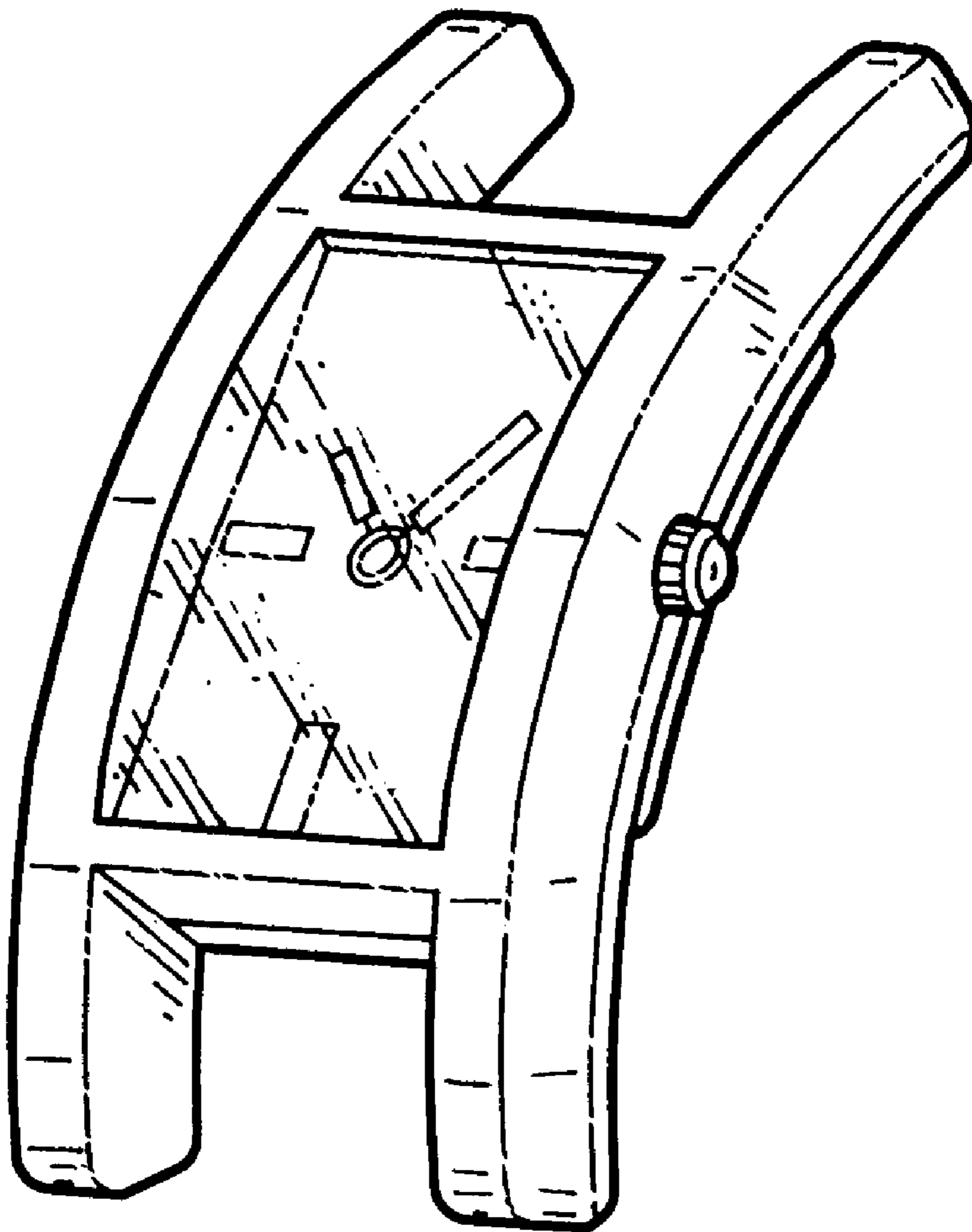
FIG. 4 is a left side elevational view thereof;

FIG. 5 is a first end elevational view thereof;

FIG. 6 is a second end elevational view thereof with the second end being a mirror image of the first end; and,

FIG. 7 is a rear elevational view thereof.

1 Claim, 3 Drawing Sheets



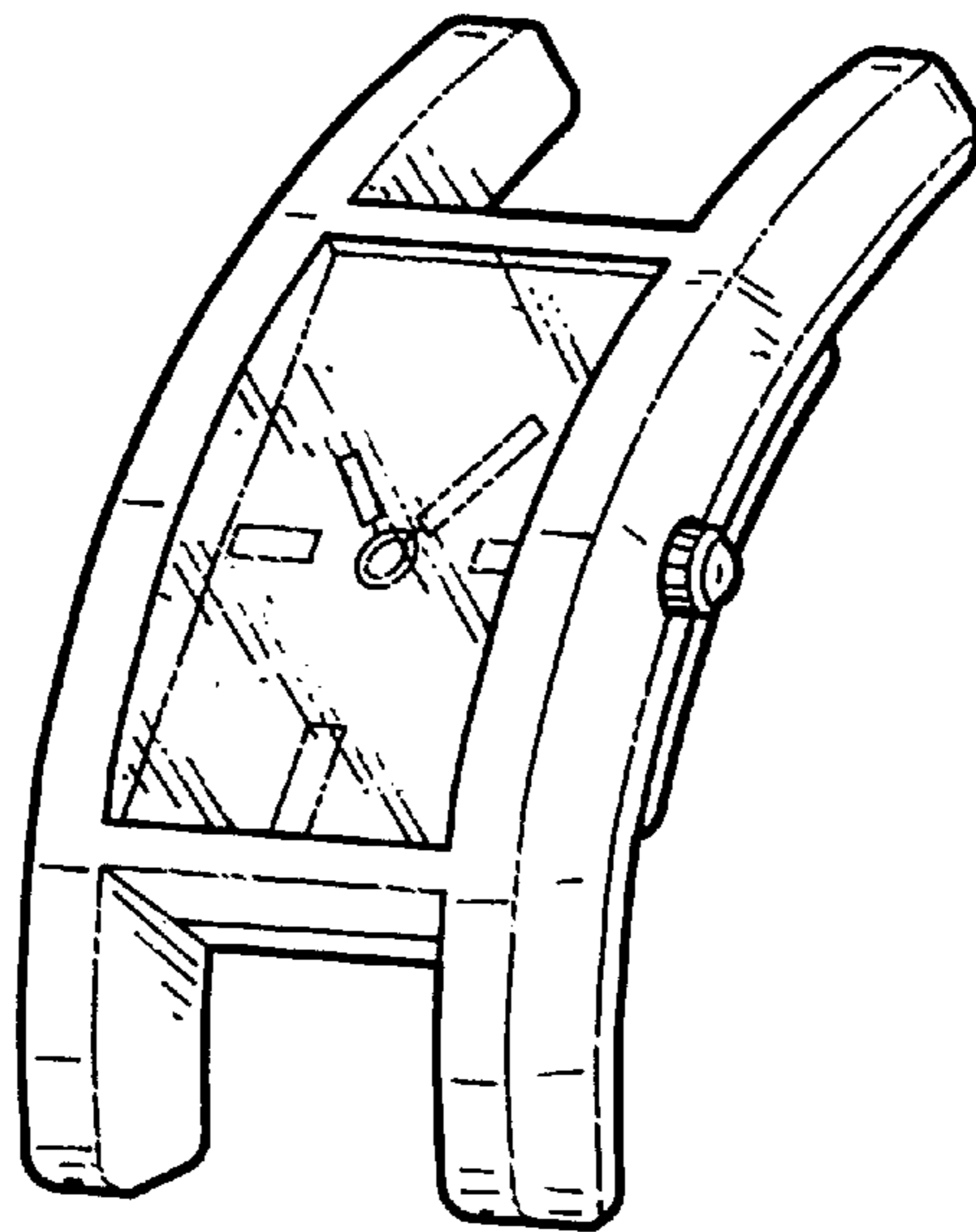


FIG. 1

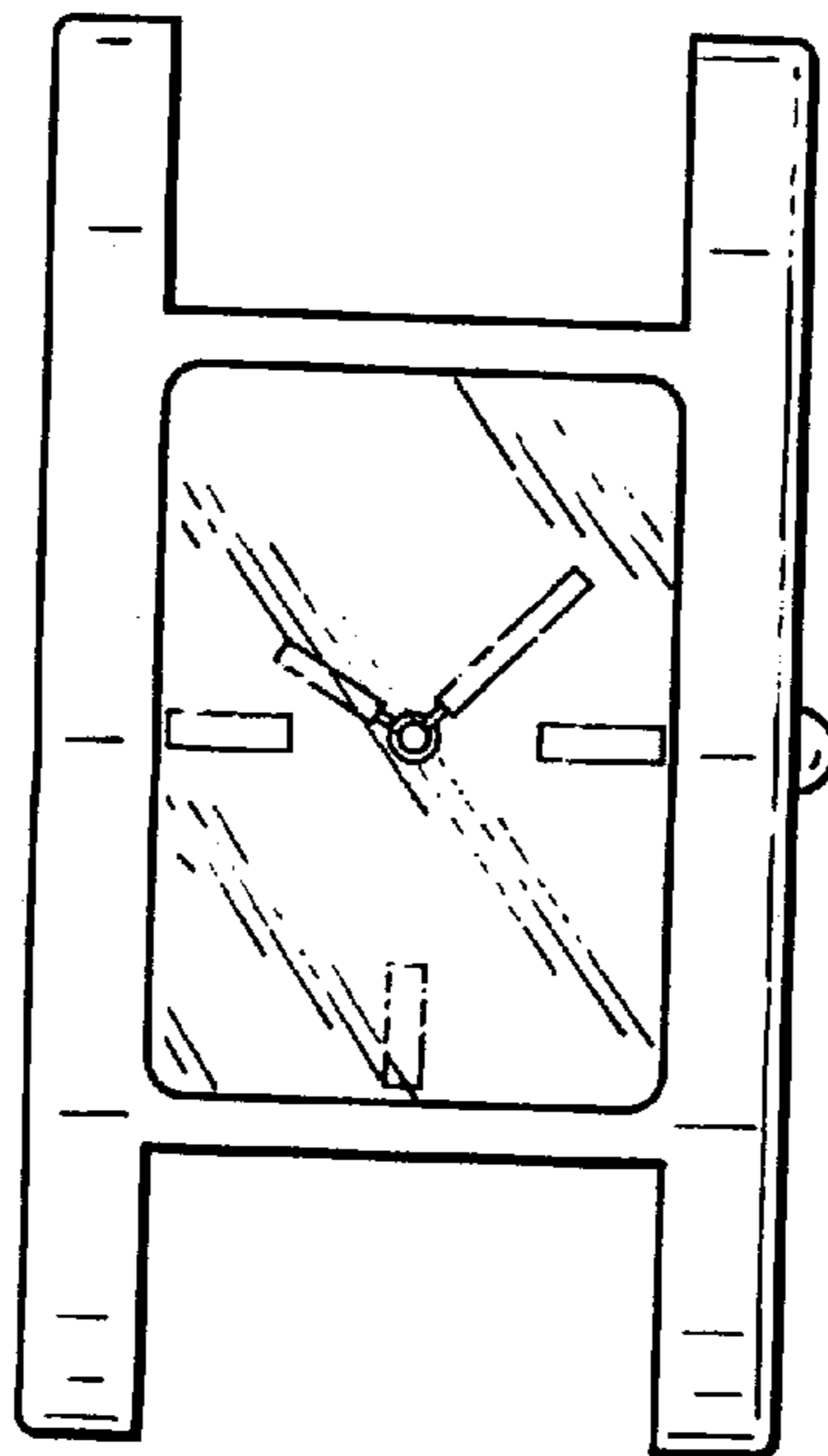


FIG. 2

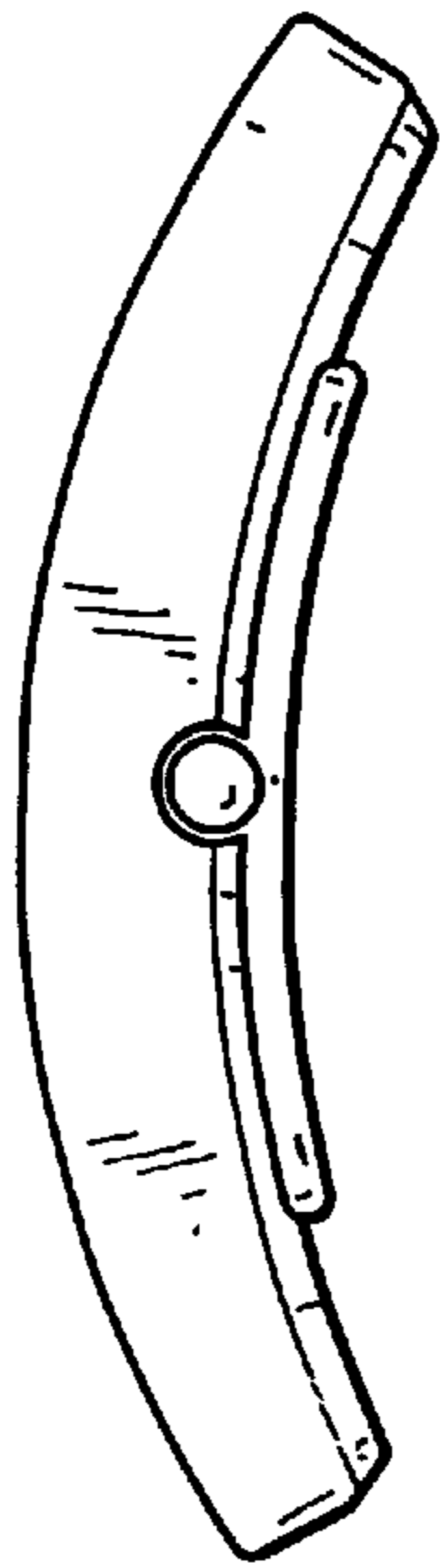


FIG. 3

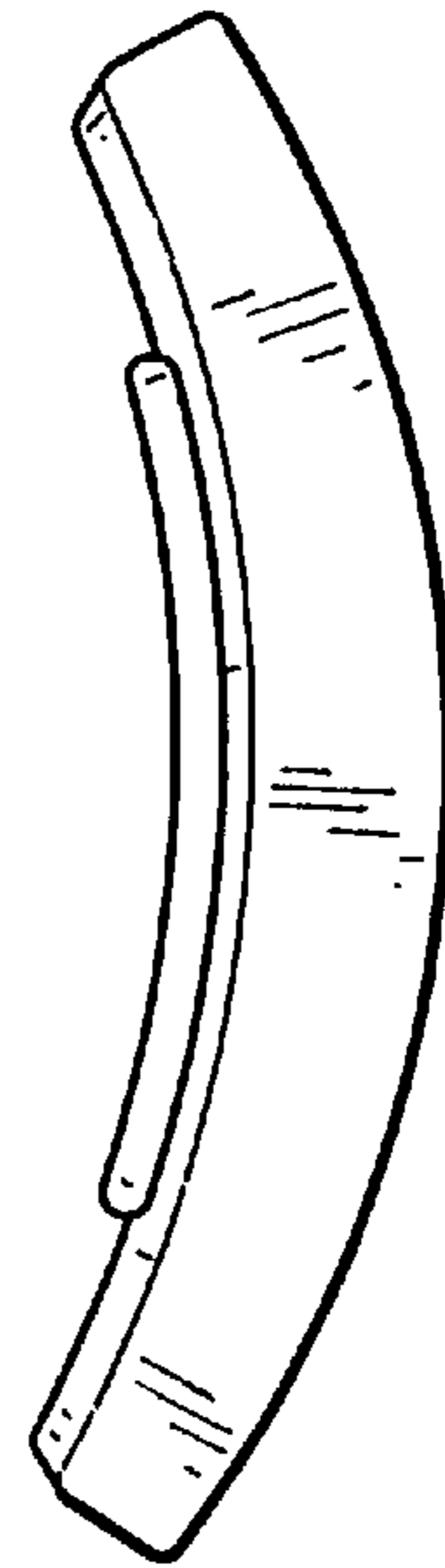


FIG. 4

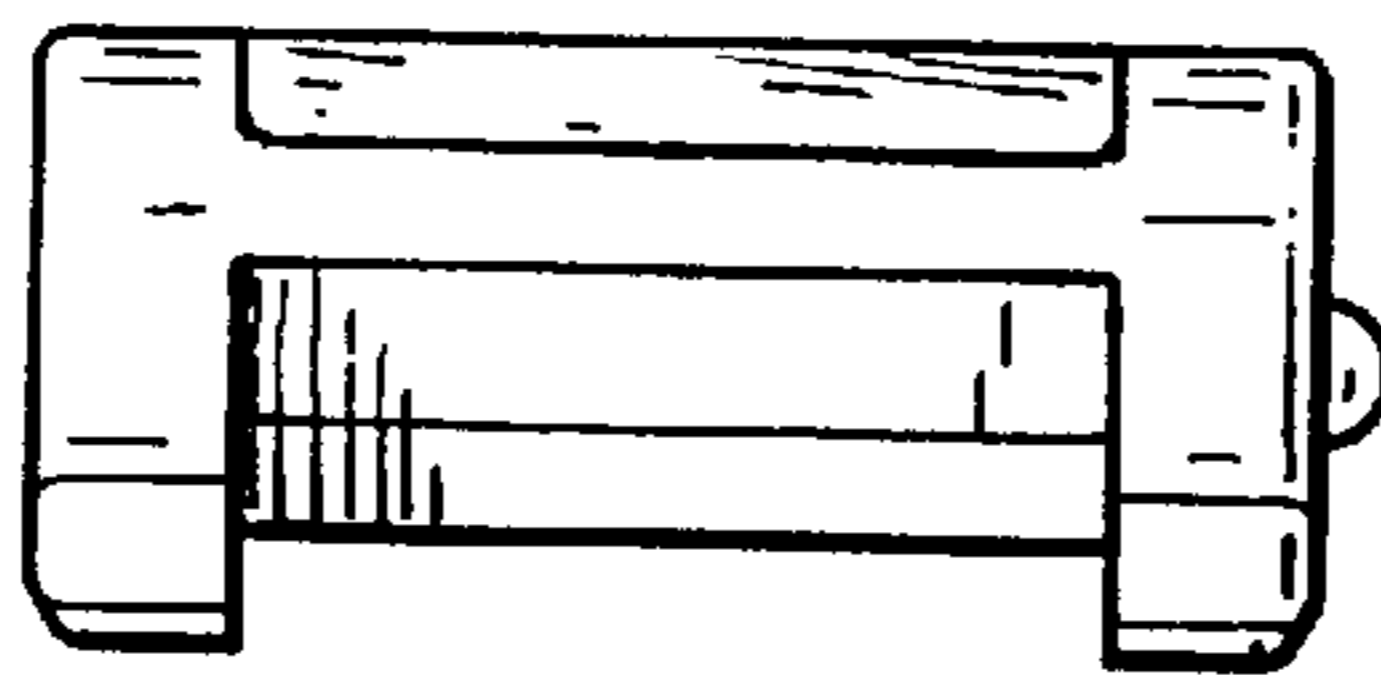


FIG. 5

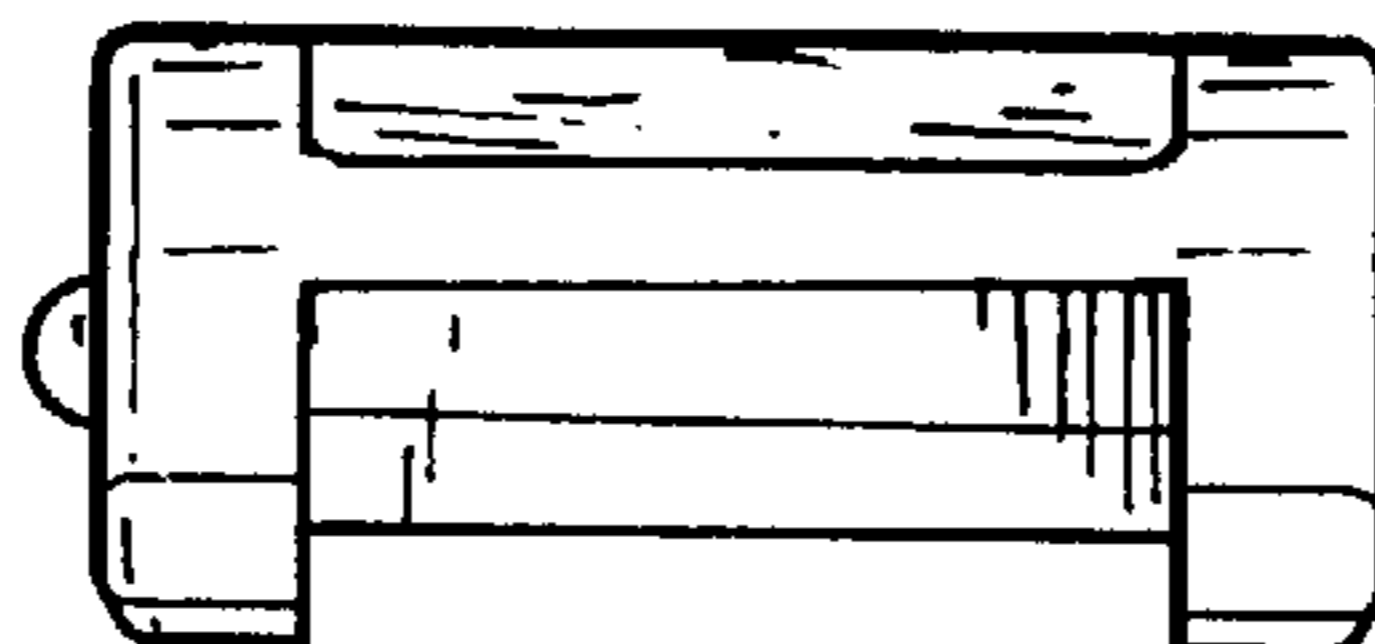


FIG. 6

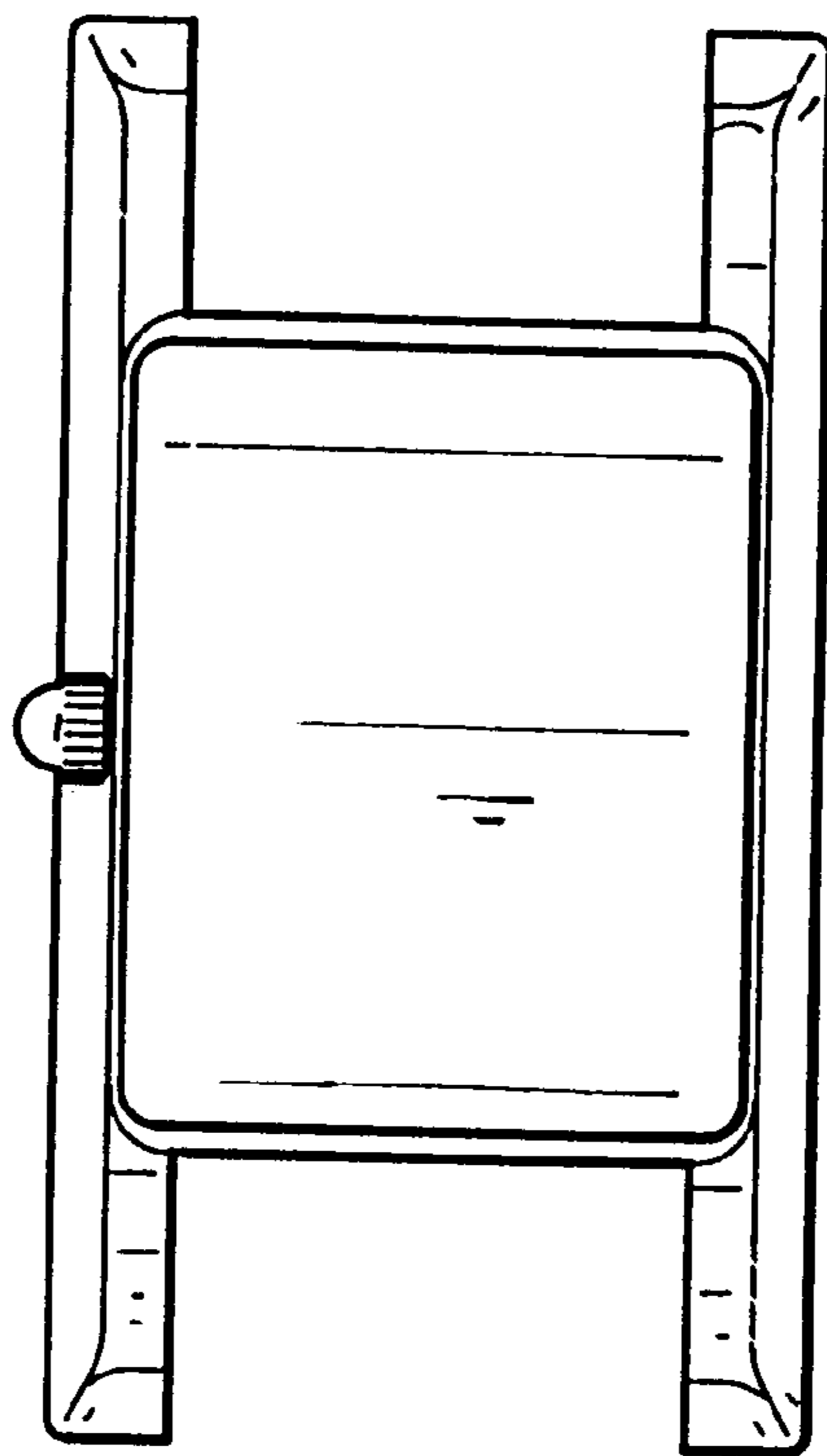


FIG. 7