



US00D490310S

(12) **United States Design Patent**
Aggenberg

(10) **Patent No.:** **US D490,310 S**

(45) **Date of Patent:** **** May 25, 2004**

(54) **PACKAGE FOR A ROBOT VACUUM CLEANER**

(75) Inventor: **Susanne Aggenberg, Stockholm (SE)**

(73) Assignee: **Aktiebolaget Electrolux, Stockholm (SE)**

(**) Term: **14 Years**

(21) Appl. No.: **29/168,739**

(22) Filed: **Oct. 8, 2002**

(51) **LOC (7) Cl.** **09-03**

(52) **U.S. Cl.** **D9/430**

(58) **Field of Search** D9/414, 416, 430,
D9/431, 499; 206/320, 775, 527, 822; 220/200,
600, 628, 660, 677, 890; 229/106, 107,
108, 109

(56) **References Cited**

U.S. PATENT DOCUMENTS

1,249,097 A * 12/1917 Huye 229/117.02

4,359,182 A * 11/1982 Perkins, Jr. 229/125.26
D328,168 S * 7/1992 Bartle D34/7
D444,062 S * 6/2001 Harrison D9/430
6,550,645 B2 * 4/2003 Nelson et al. 222/105

* cited by examiner

Primary Examiner—Philip S. Hyder

Assistant Examiner—Daniel Bui

(74) *Attorney, Agent, or Firm*—Pearne & Gordon LLP

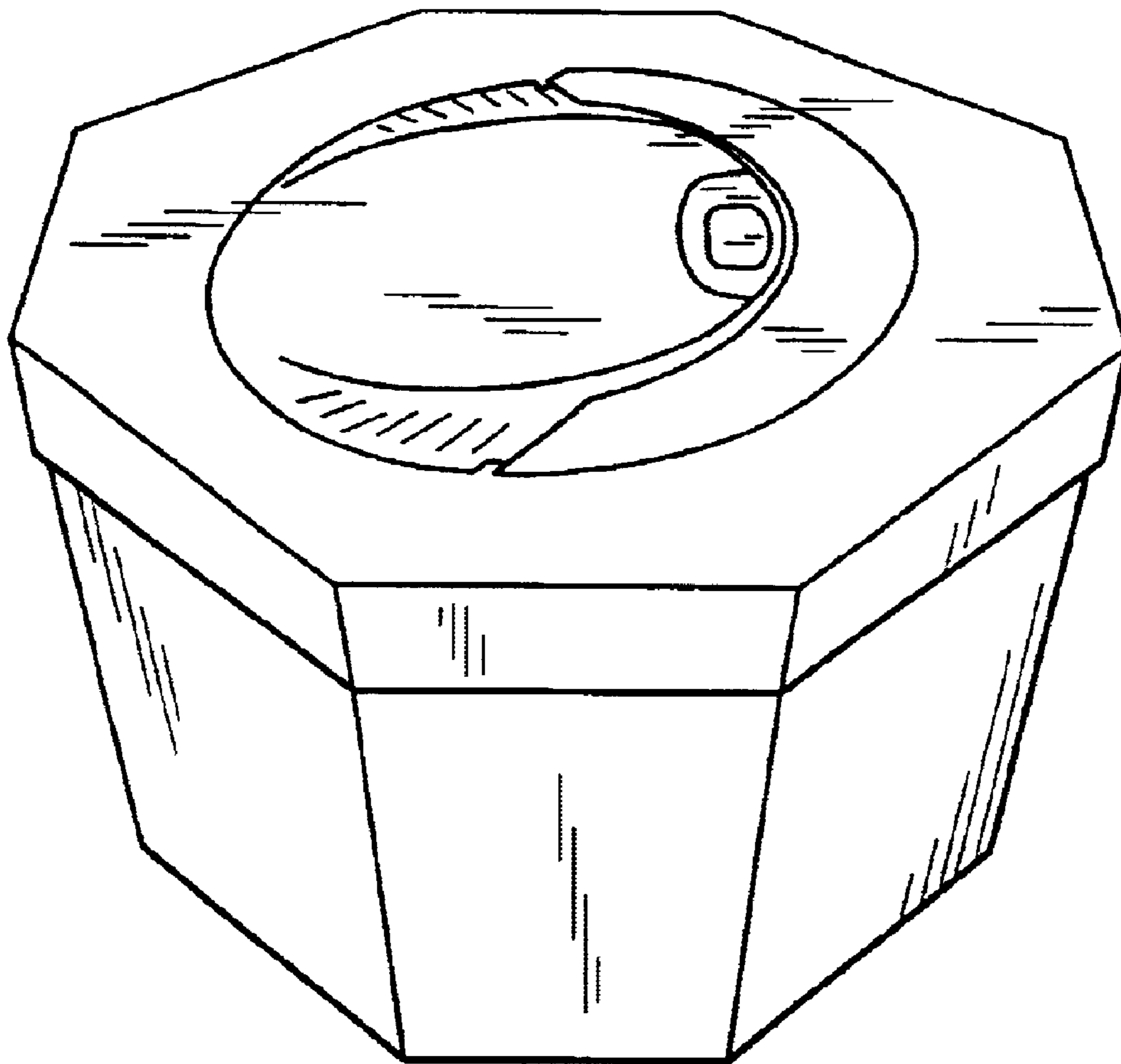
(57) **CLAIM**

The ornamental design for a package for a robot vacuum cleaner, as shown and described.

DESCRIPTION

FIG. 1 is a perspective view showing a package for a robot vacuum cleaner according to my invention;
FIG. 2 is a front view of the package of FIG. 1, right side, left side and rear views being identical thereto;
FIG. 3 is a top view of the package of FIG. 1; and,
FIG. 4 is a bottom view of the package of FIG. 1.

1 Claim, 2 Drawing Sheets



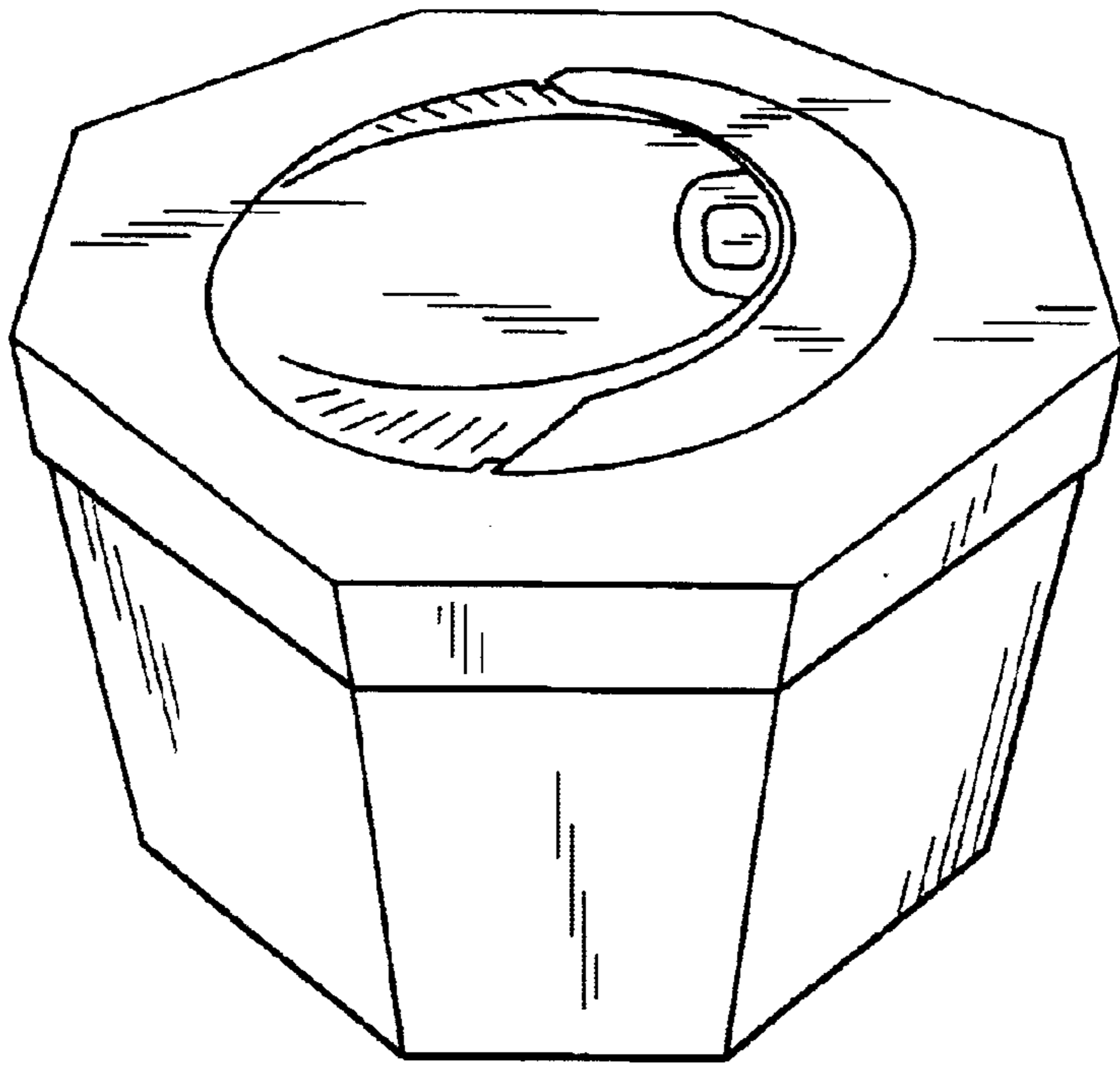


FIG. 1

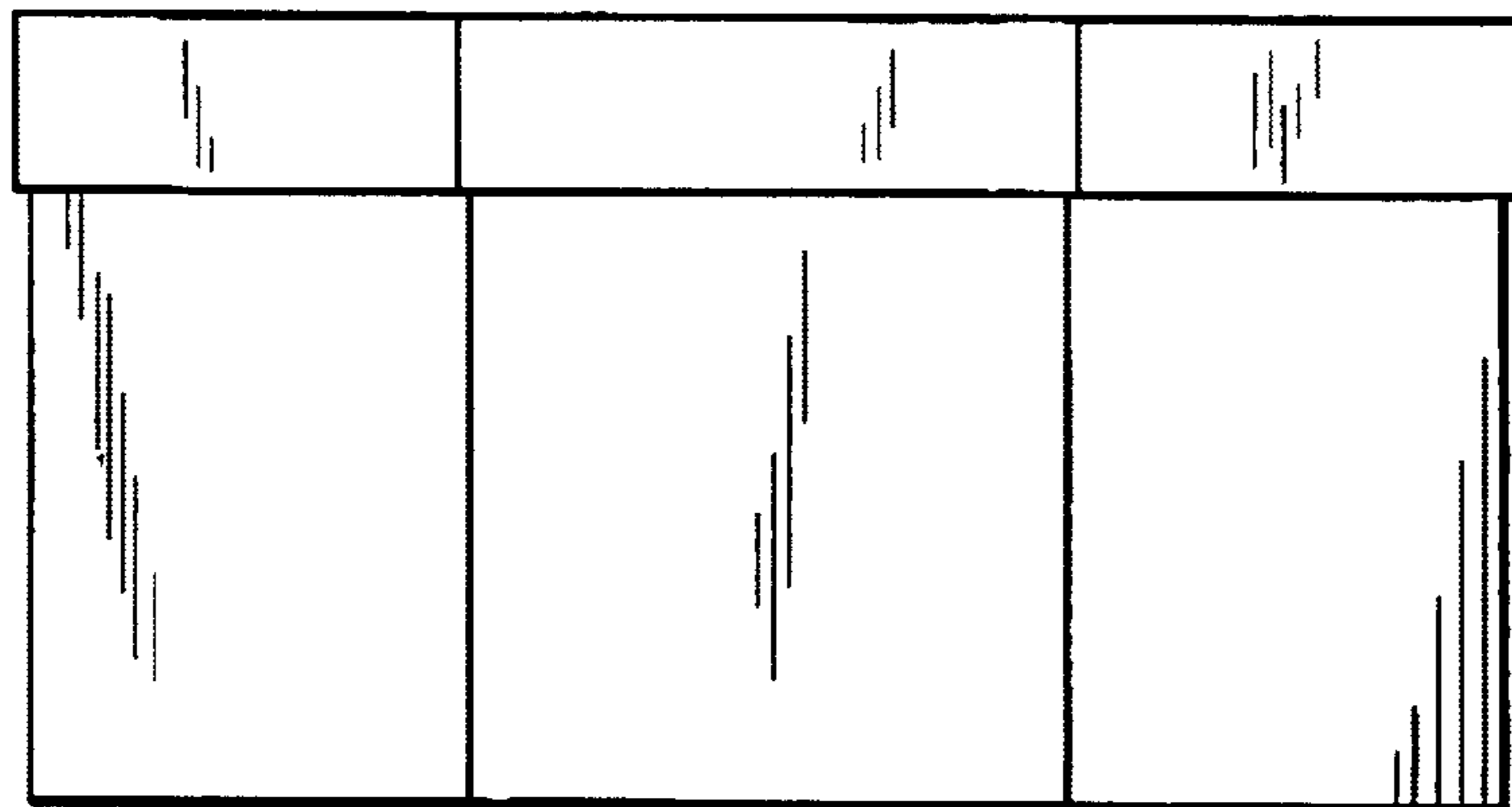


FIG. 2

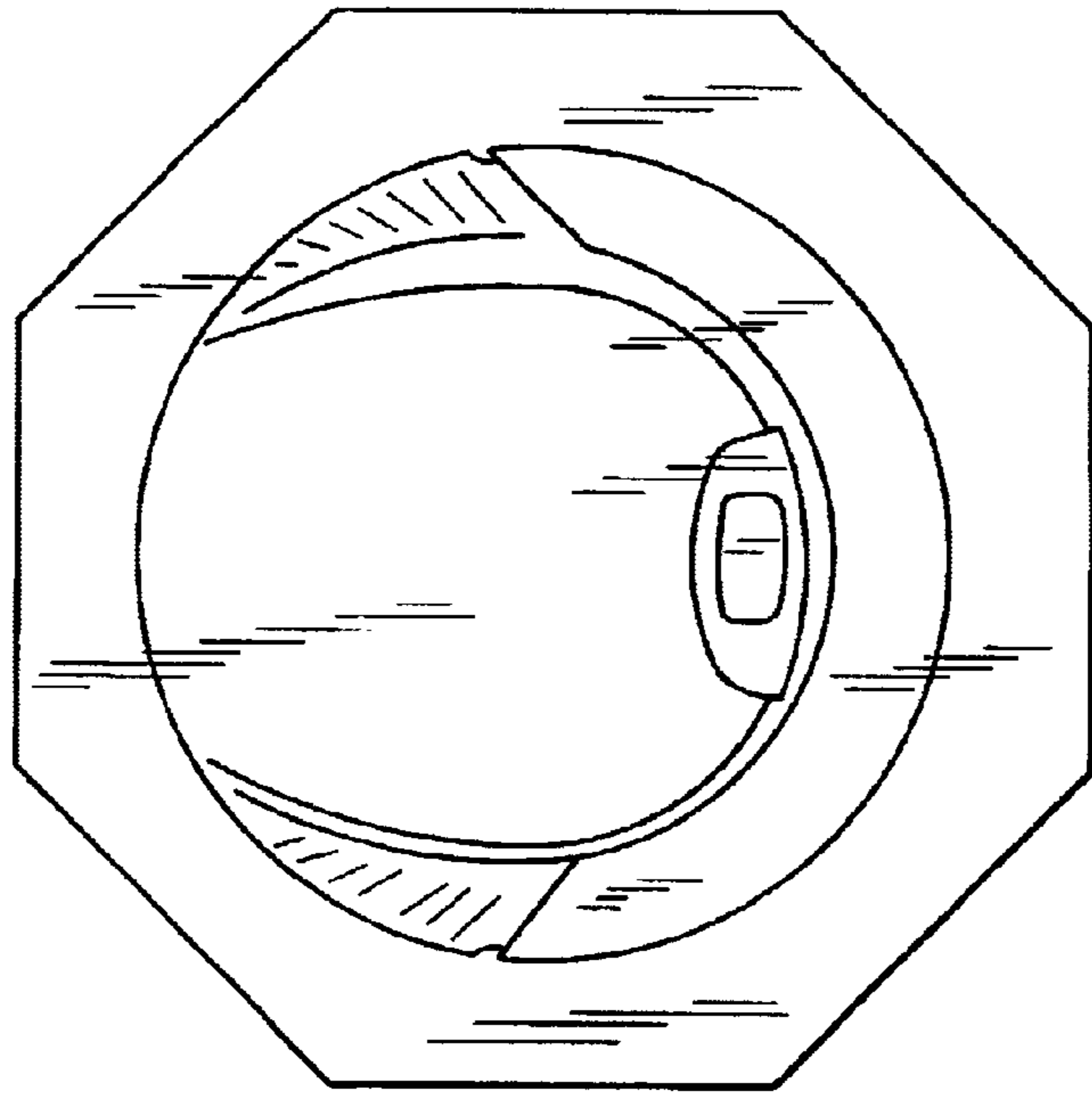


FIG. 3

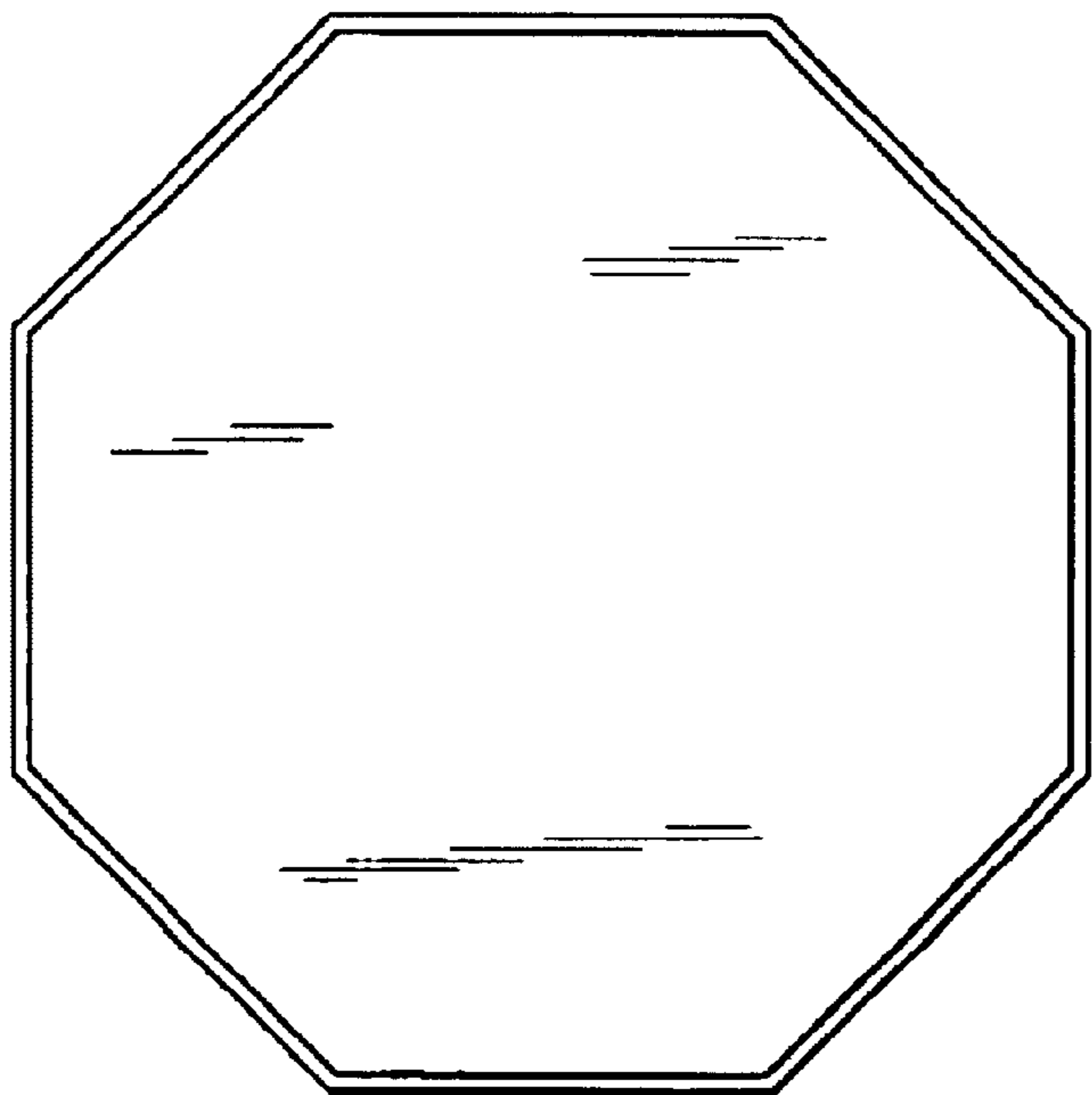


FIG. 4