



US00D490298S

(12) **United States Design Patent**
Maskell

(10) **Patent No.:** **US D490,298 S**

(45) **Date of Patent:** **** May 25, 2004**

(54) **SACHET HOLDER**

(75) **Inventor:** **William John Maskell, London (GB)**

(73) **Assignee:** **Unilever Bestfoods, North America, a division of Conopco, Inc., Englewood Cliffs, NJ (US)**

(**) **Term:** **14 Years**

(21) **Appl. No.:** **29/169,157**

(22) **Filed:** **Oct. 15, 2002**

(30) **Foreign Application Priority Data**

Apr. 15, 2002 (GB) 3002933

(51) **LOC (7) Cl.** **08-08**

(52) **U.S. Cl.** **D8/395**

(58) **Field of Search** D8/395, 394; 401/152, 401/160, 162; 206/277; 24/495, 496, 489, 455, 513, 511; D9/442, 455; 222/92, 100, 103, 95, 105, 107, 215

(56) **References Cited**

U.S. PATENT DOCUMENTS

- 2,210,226 A * 8/1940 Weisberger 222/103
- 3,675,822 A * 7/1972 Casali et al. 222/103
- 4,326,647 A * 4/1982 Pool 222/105

- 5,322,194 A * 6/1994 Roberts 222/105
- D410,846 S * 6/1999 Leong et al. D9/455
- 5,920,967 A * 7/1999 Souza 24/563
- 5,975,363 A * 11/1999 Haycock 222/103

* cited by examiner

Primary Examiner—Louis S. Zarfes

Assistant Examiner—Deanne Levy

(74) *Attorney, Agent, or Firm*—Gerard J. McGowan, Jr.

(57) **CLAIM**

The ornamental design for a sachet holder, substantially as shown and described.

DESCRIPTION

FIG. 1 is a front perspective view from below and one side; FIG. 2 is a view of other side; FIG. 3 is a rear view; FIG. 4 is a top plan view thereof; FIG. 5 is a bottom plan view thereof; FIG. 6 is a front perspective view of the sachet holder in a half-open position with a sachet partially inserted; and, FIG. 7 is a front perspective view from below and one side With sachet inserted.

The broken line showing of sachet is for illustrative purposes only and forms no part of the claimed design.

1 Claim, 4 Drawing Sheets

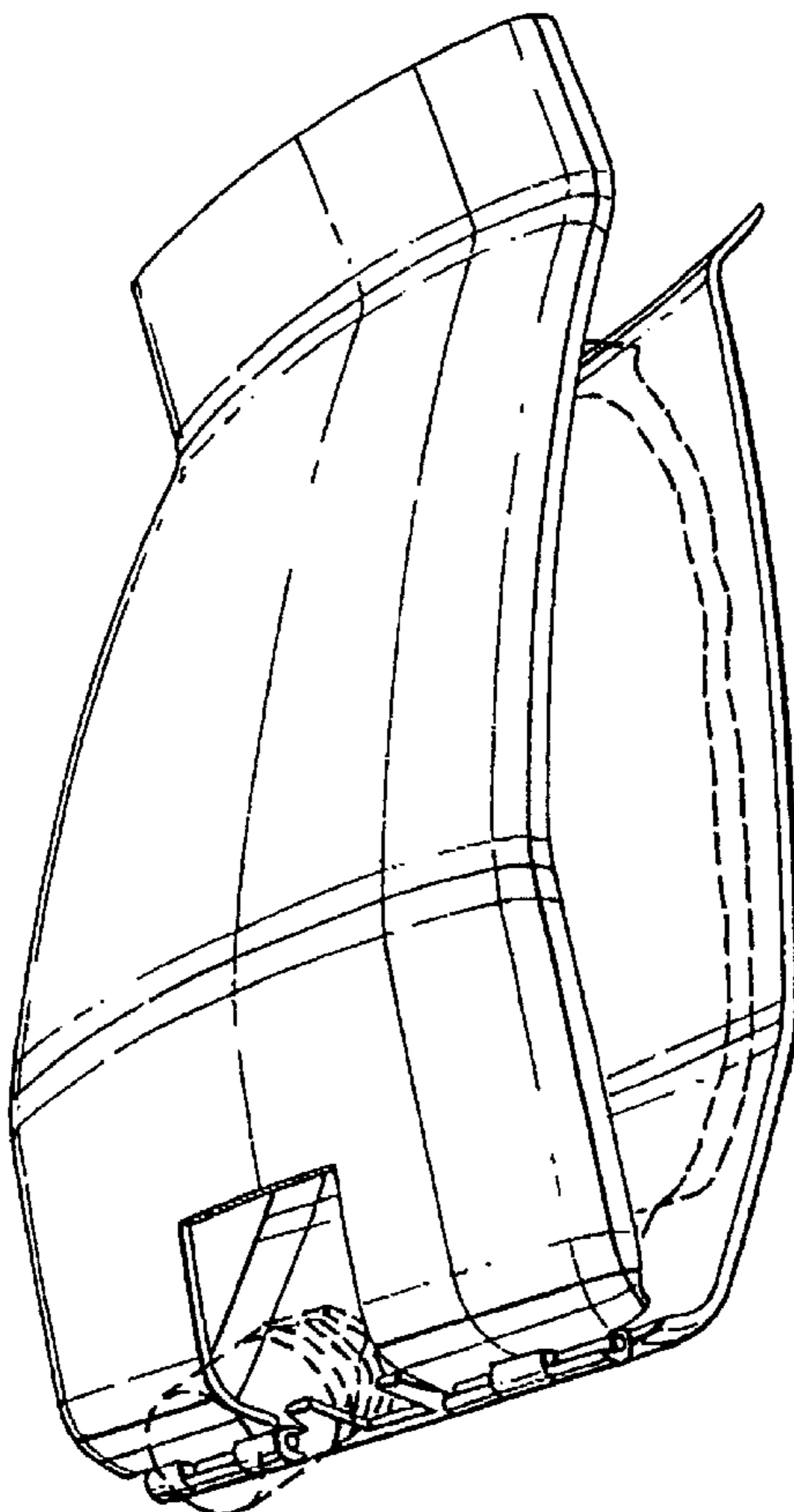




Fig.1.

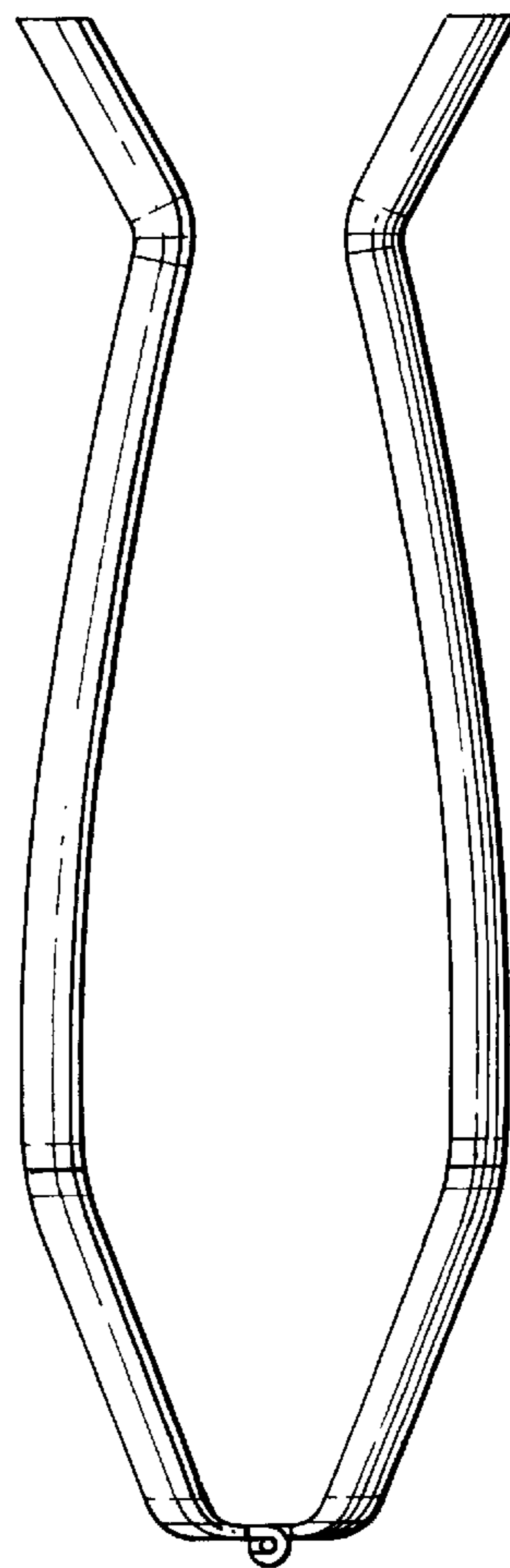


Fig.2.

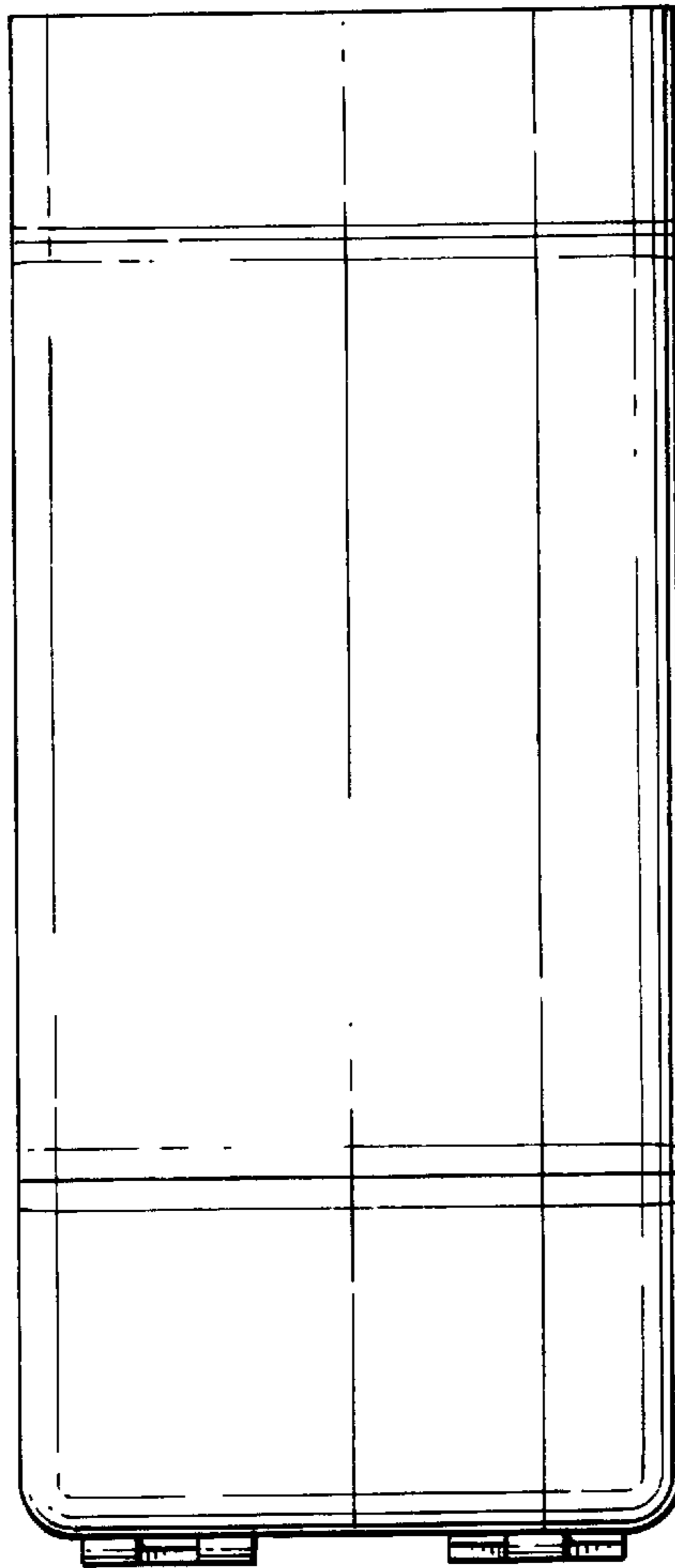


Fig.3.

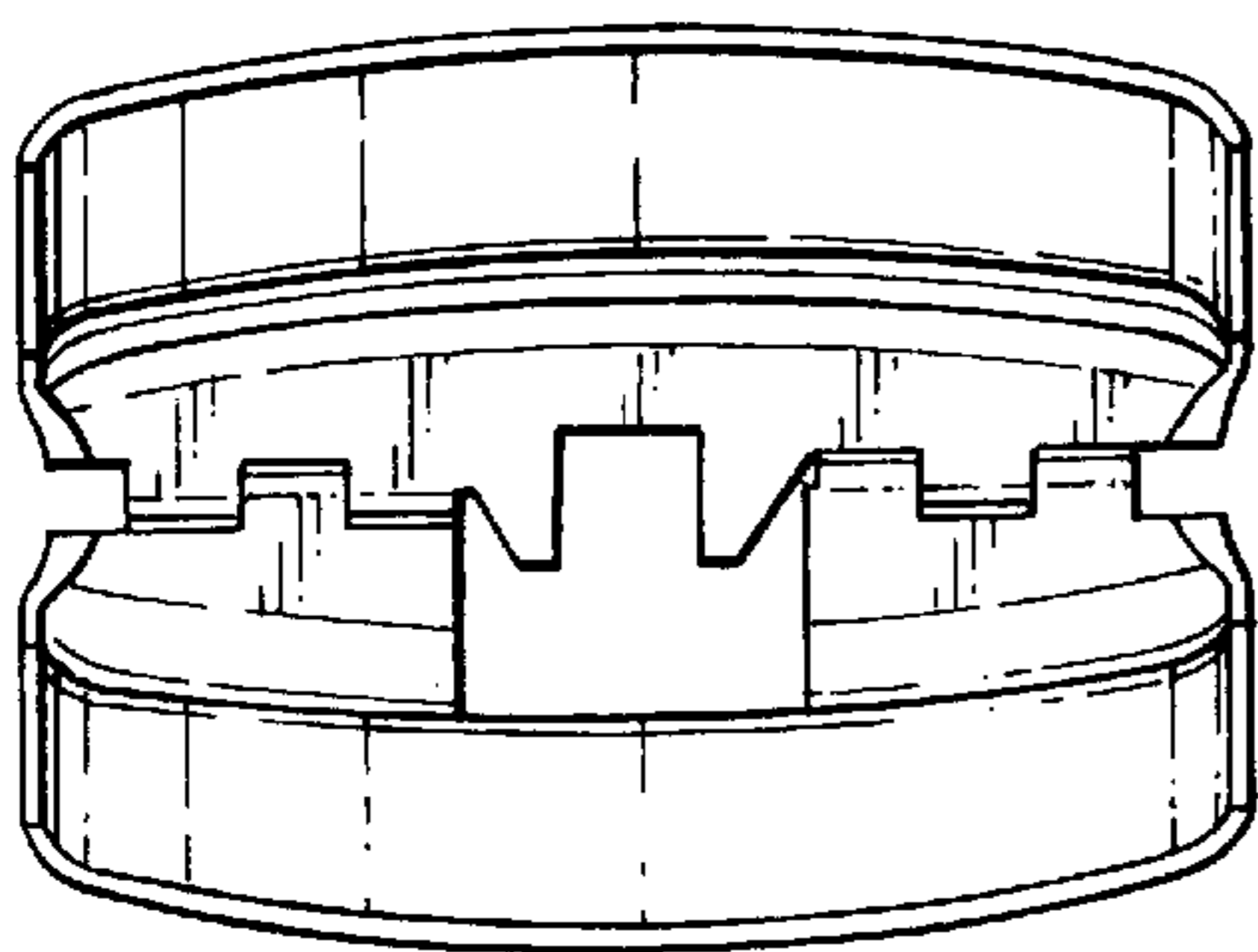


Fig.4.

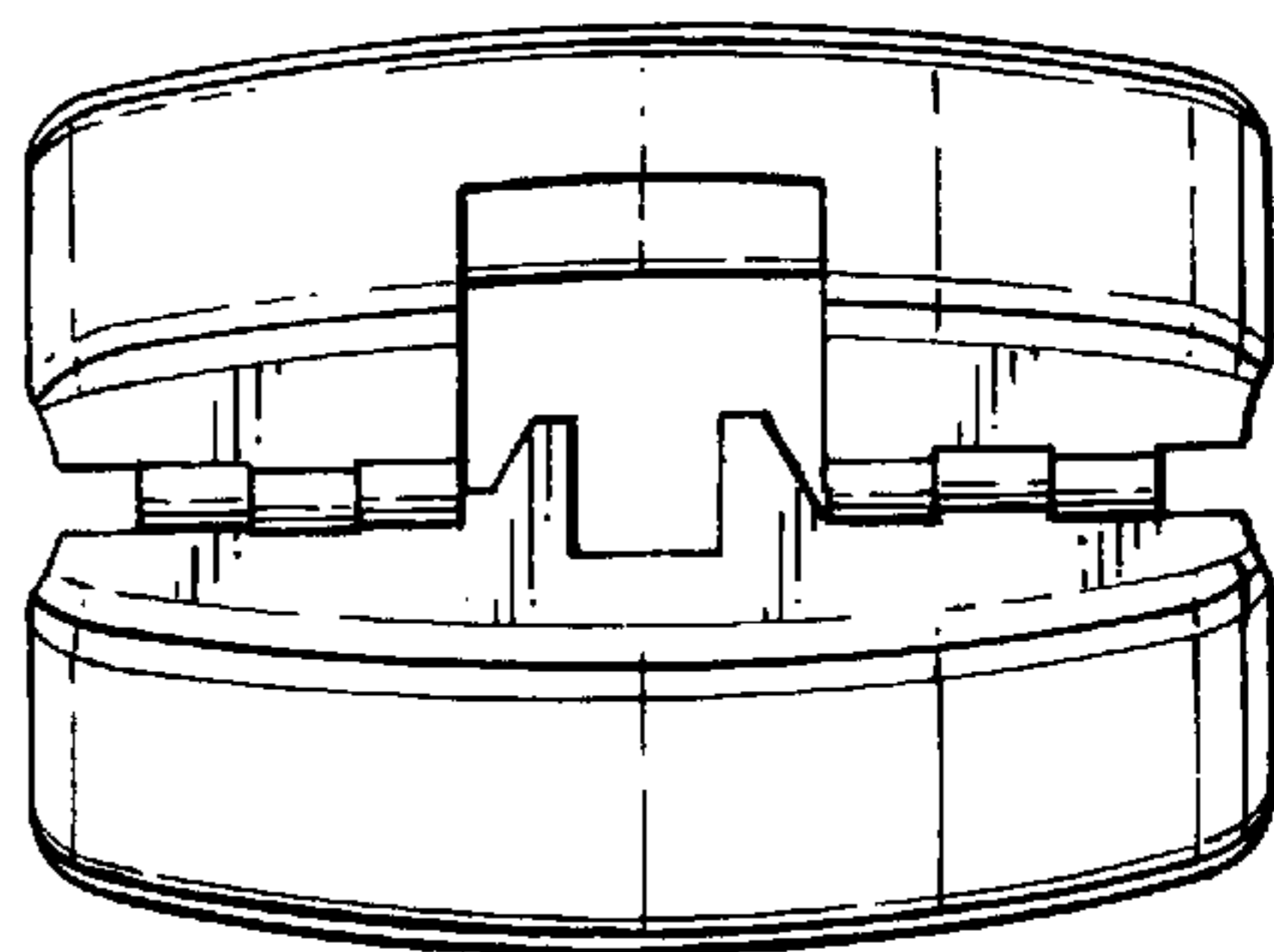


Fig.5.

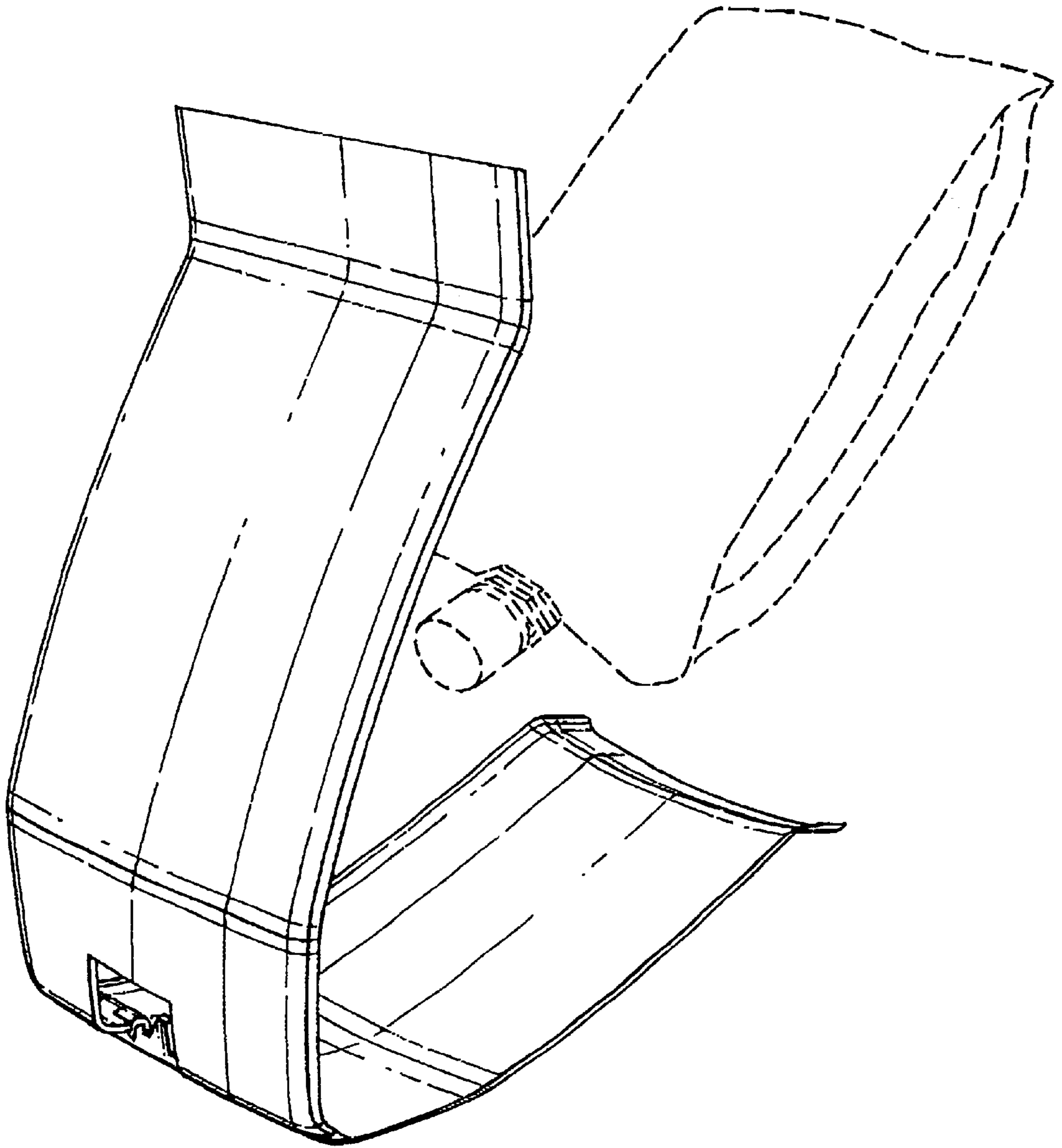


Fig.6.

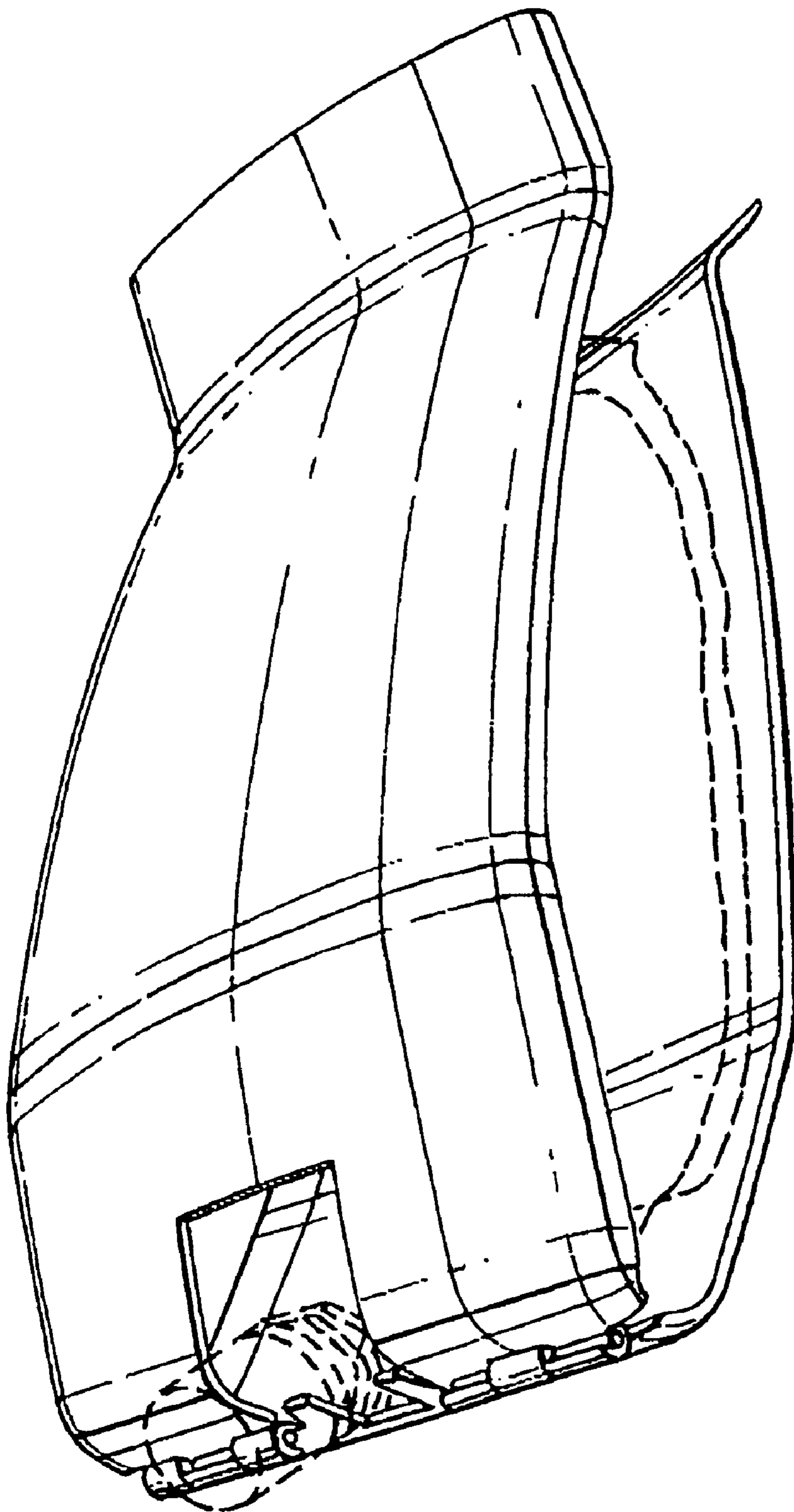


Fig.7.