



US00D490295S

(12) **United States Design Patent**
Neider et al.

(10) **Patent No.:** **US D490,295 S**

(45) **Date of Patent:** **** May 25, 2004**

(54) **BRACKET FOR PIPE SUPPORTING DEVICES**

(75) Inventors: **Michael A. Neider**, Sandy, UT (US);
Nathan M. Sargent, Coalville, UT (US)

(73) Assignee: **Miro Industries, Inc.**, Sandy, UT (US)

(**) Term: **14 Years**

(21) Appl. No.: **29/178,222**

(22) Filed: **Mar. 20, 2003**

(51) **LOC (7) Cl.** **08-05**

(52) **U.S. Cl.** **D8/356**

(58) **Field of Search** D8/349, 354, 355,
D8/373, 380; 52/712; 217/69; 190/37; 248/200,
220.1, 300, 49, 65; 312/238; 403/231, 382,
403

(56) **References Cited**

U.S. PATENT DOCUMENTS

939,005	A	*	11/1909	Goedeke	217/69
1,003,508	A	*	9/1911	Price	403/231
1,380,518	A	*	6/1921	Bellig	403/219
2,631,723	A	*	3/1953	Ellsworth	206/453
3,511,106	A	*	5/1970	Deeby	74/501.6
3,555,750	A	*	1/1971	Banse	52/97
4,347,015	A	*	8/1982	Olashaw	403/219
4,592,672	A	*	6/1986	Ruch, Jr.	403/205

D342,662	S	*	12/1993	Lavin, Sr.	D8/354
5,312,078	A	*	5/1994	Marsh	248/220.1
D364,331	S	*	11/1995	Leek	D8/354
D433,615	S		11/2000	Neider et al.		
D436,522	S		1/2001	Neider et al.		
6,364,256	B1		4/2002	Neider et al.		
D466,393	S		12/2002	Neider et al.		
D466,394	S		12/2002	Neider et al.		
6,520,456	B1		2/2003	Neider et al.		

* cited by examiner

Primary Examiner—Stacia Cadmus

Assistant Examiner—Elizabeth A. Albert

(74) *Attorney, Agent, or Firm*—Kenneth E. Horton; Kirton & McConkie

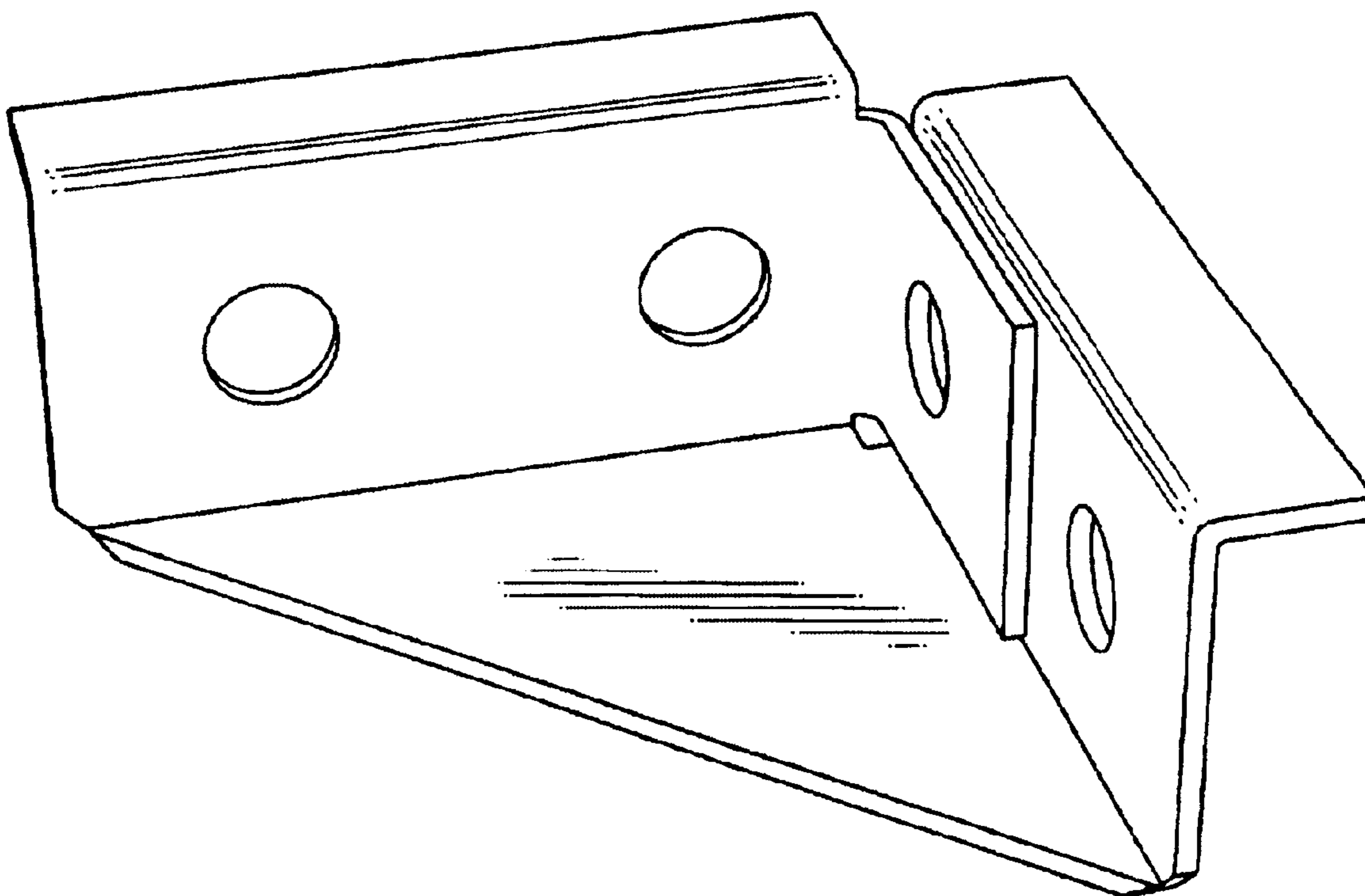
(57) **CLAIM**

The ornamental design for a bracket for pipe supporting devices, as shown and described.

DESCRIPTION

FIG. 1 is a front view showing one aspect of our design, which aspect is also shown in FIGS. 2–7; FIG. 2 is an underneath or bottom view; FIG. 3 is an above or top view; FIG. 4 is a back view; FIG. 5 is a side view; FIG. 6 is another side view; and, FIG. 7 is a perspective view.

1 Claim, 7 Drawing Sheets



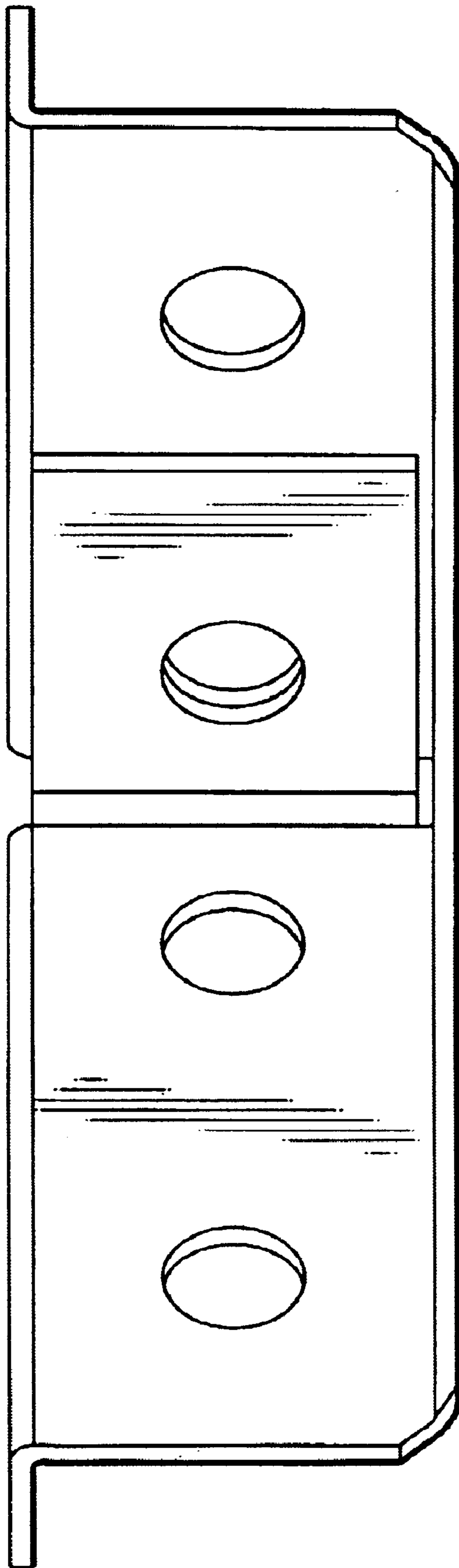


Fig 1

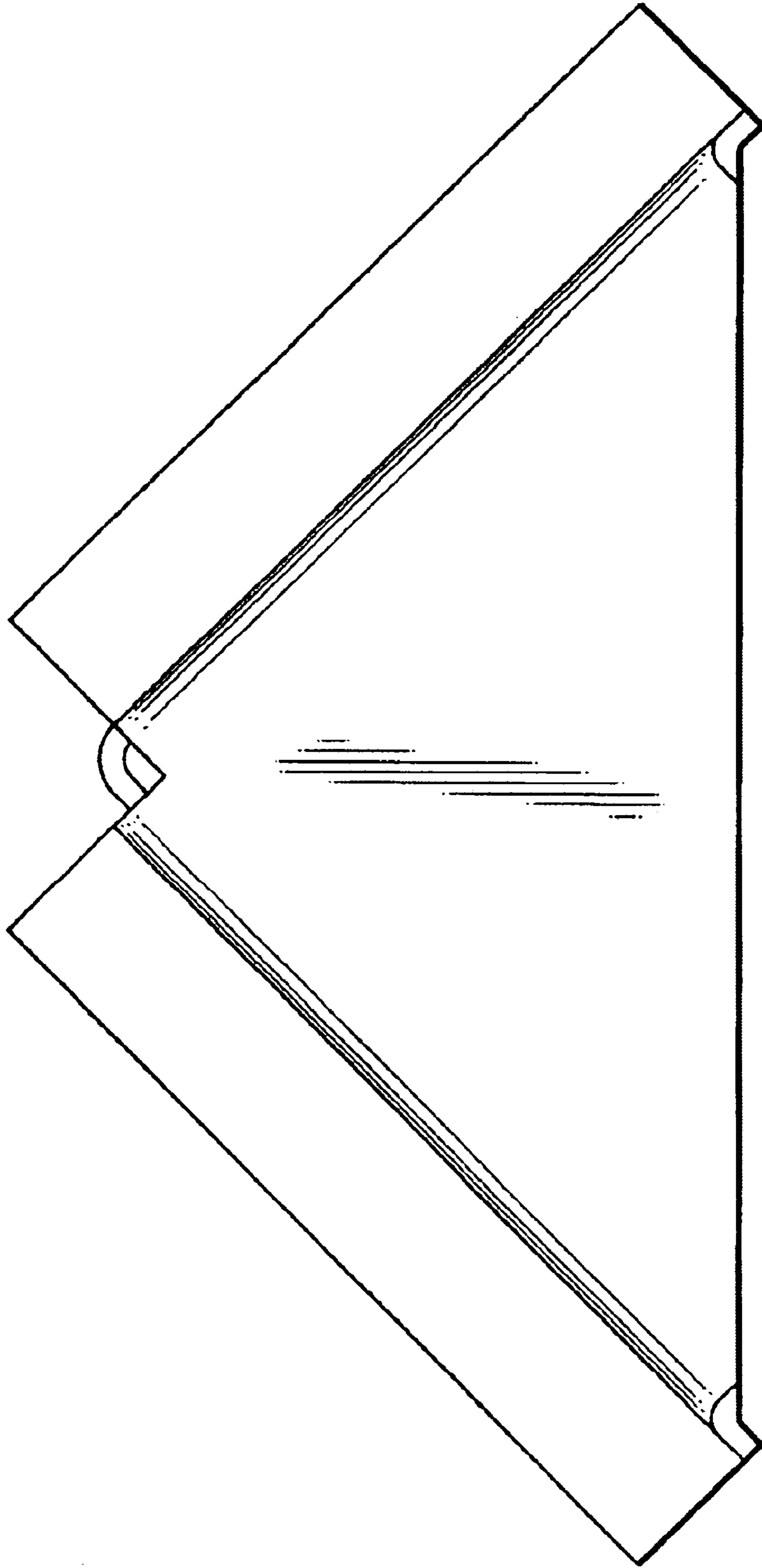


Fig 2

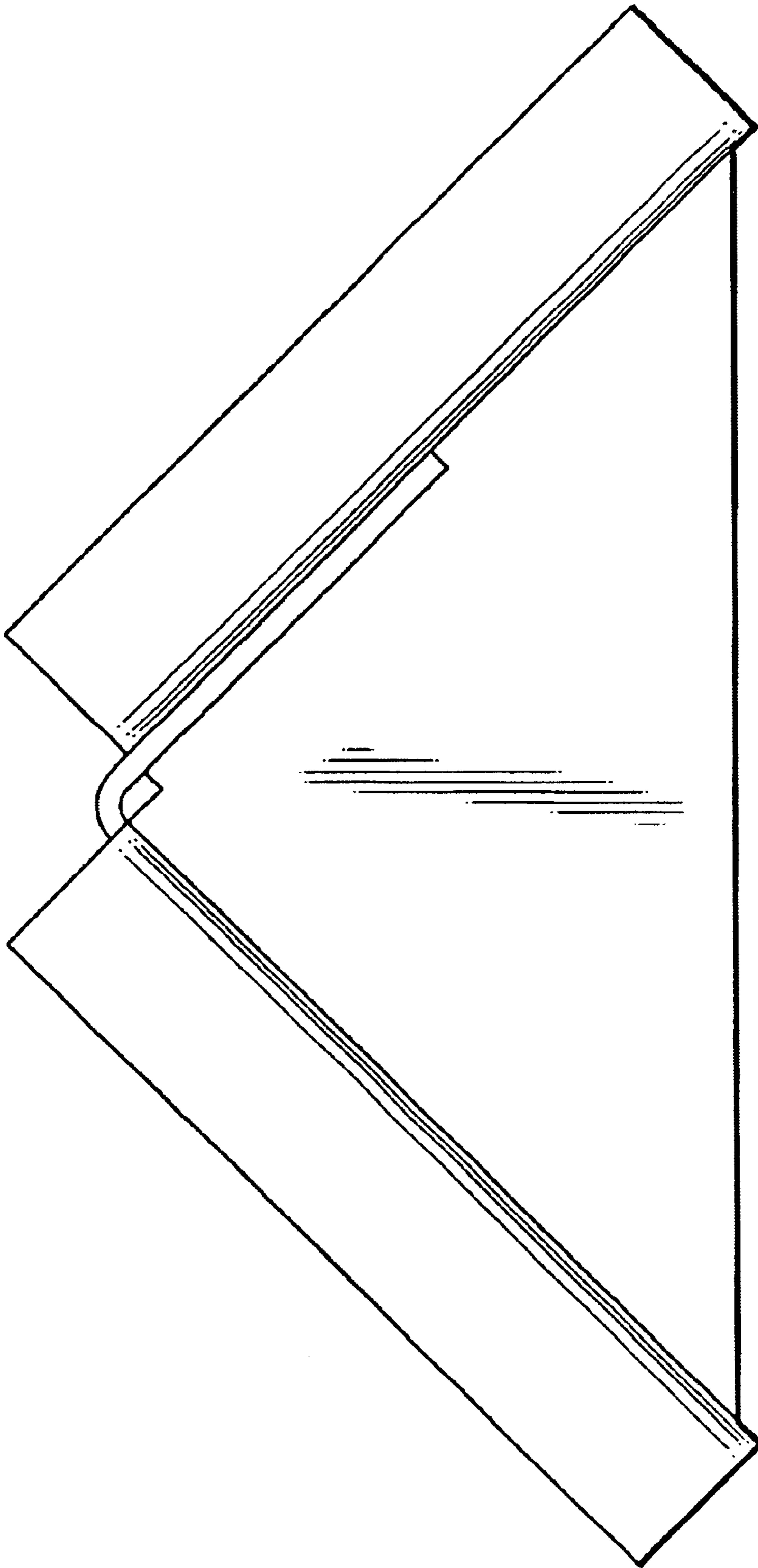


Fig 3

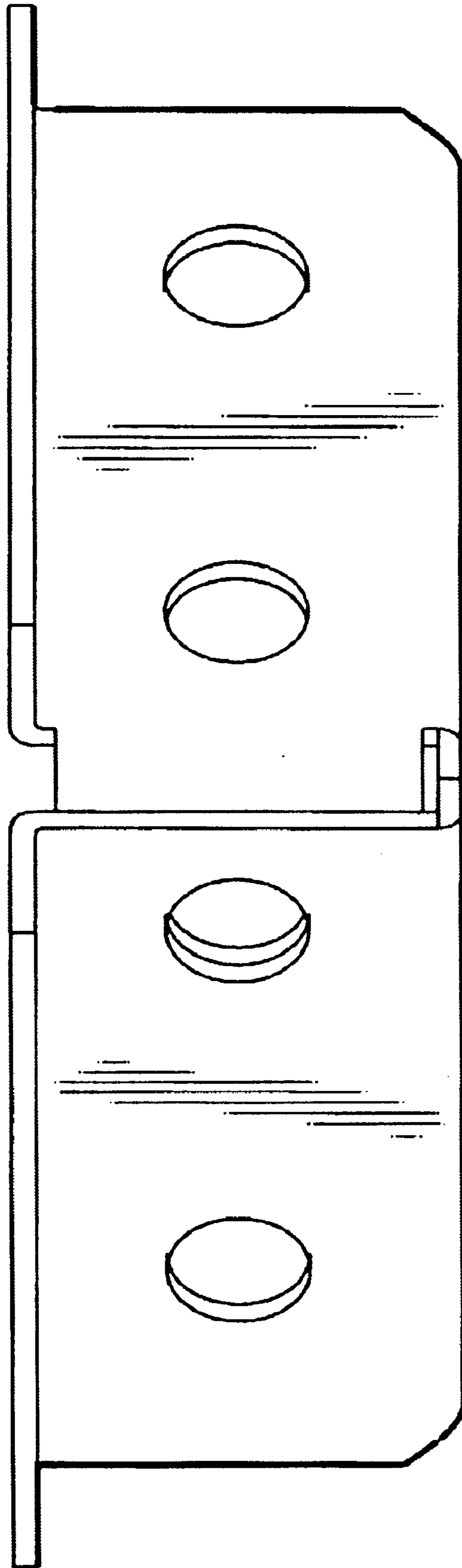


Fig 4

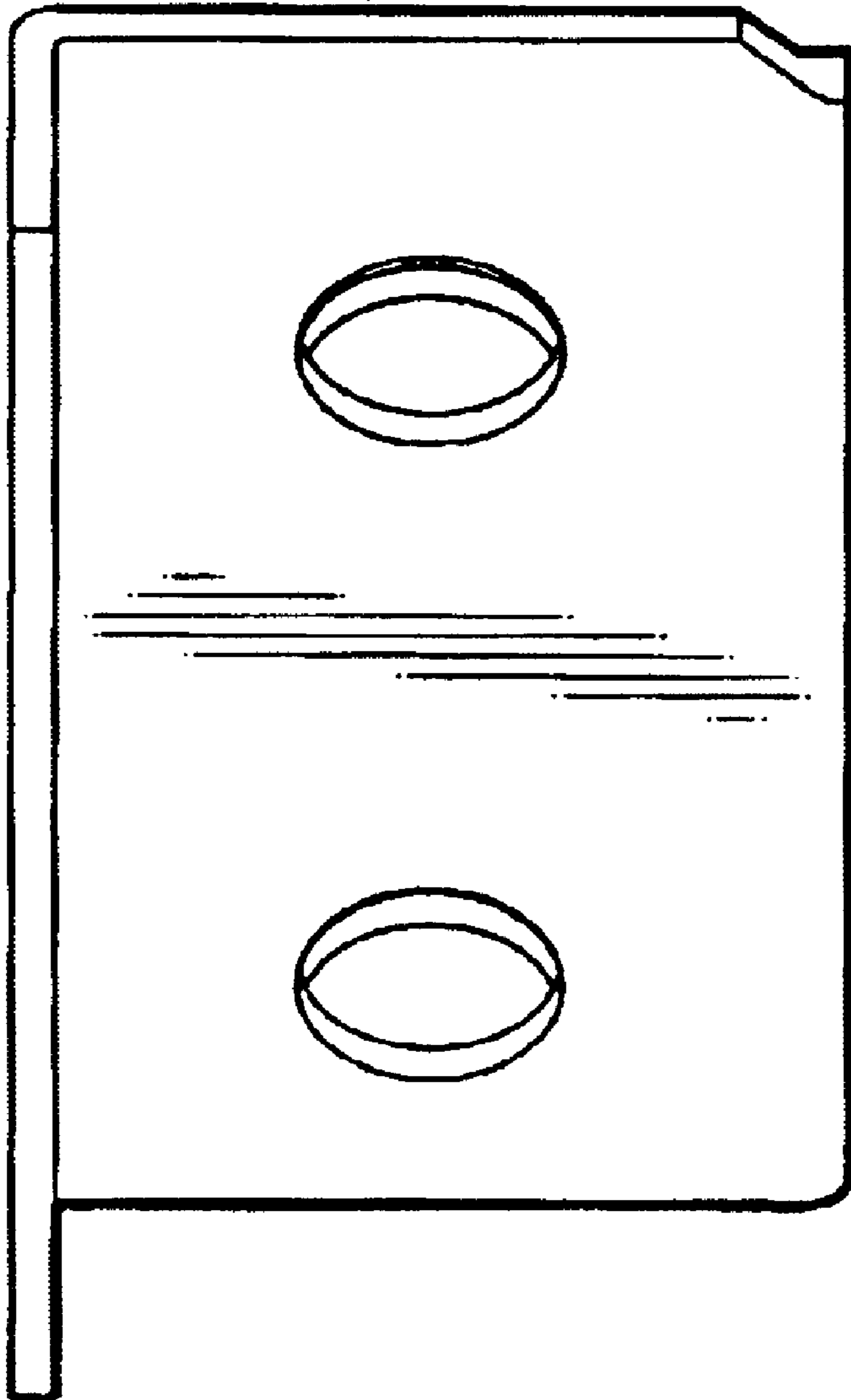


Fig 5

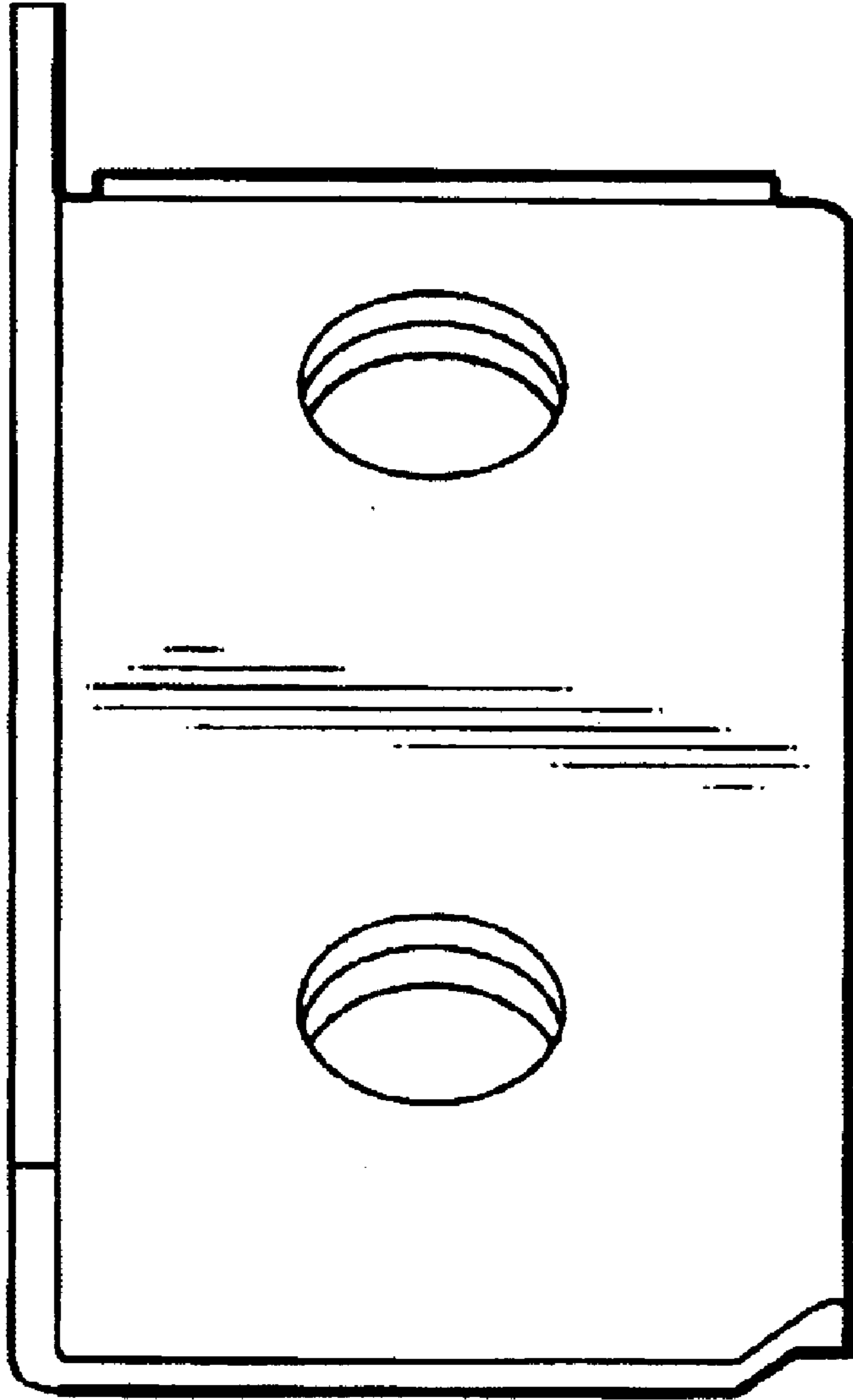


Fig 6

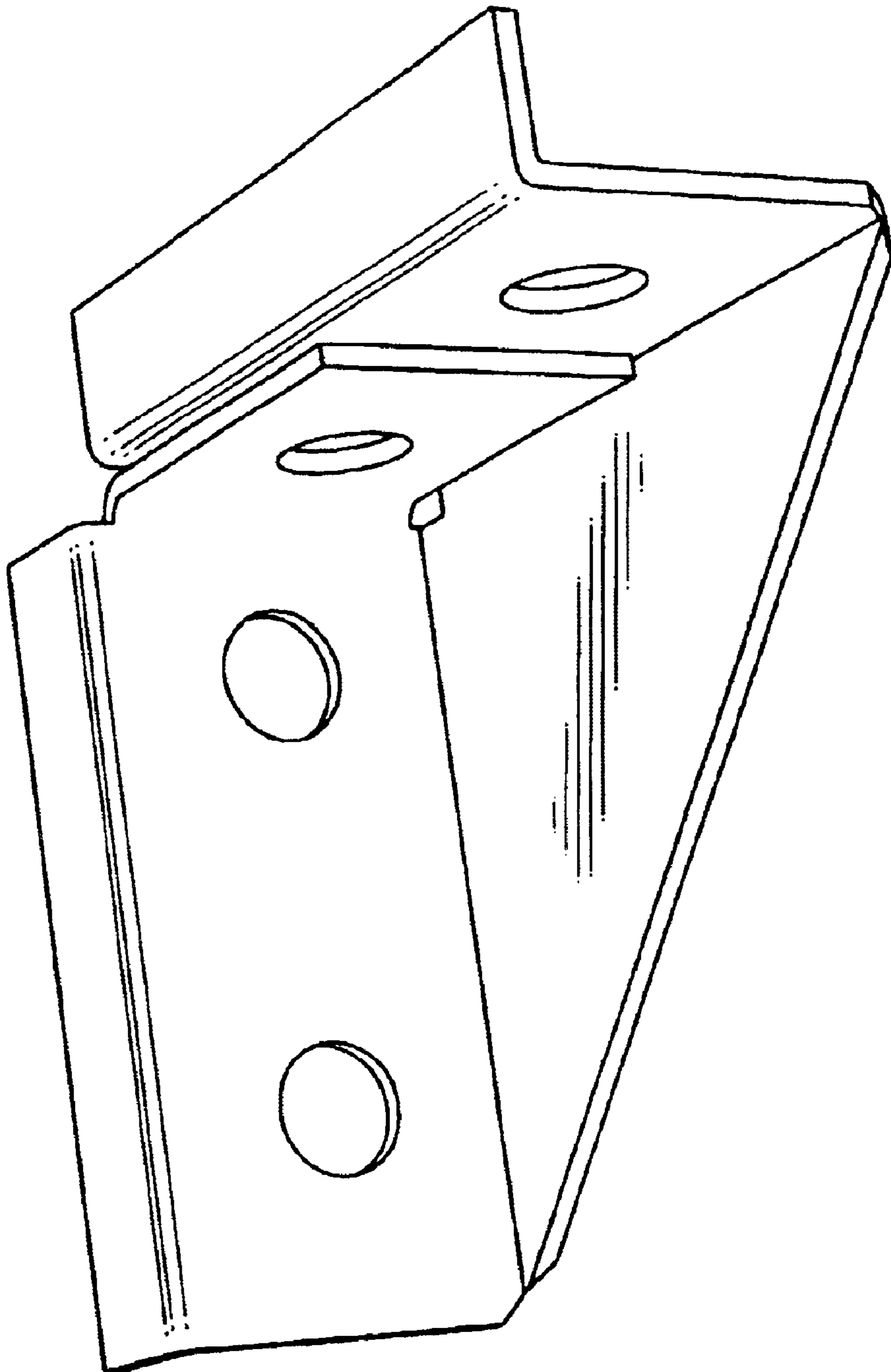


Fig 7