



US00D490294S

(12) **United States Design Patent**
Dayan

(10) **Patent No.:** **US D490,294 S**

(45) **Date of Patent:** **** May 25, 2004**

(54) **TEAR-SHAPED MOUNTING BRACKET**

(75) Inventor: **Mervin A. Dayan**, Oakhurst, NJ (US)

(73) Assignee: **Roadmaster (USA) Corp.**, Eatontown, NJ (US)

(**) Term: **14 Years**

(21) Appl. No.: **29/179,416**

(22) Filed: **Apr. 9, 2003**

(51) **LOC (7) Cl.** **08-05**

(52) **U.S. Cl.** **D8/354**

(58) **Field of Search** D8/349, 354, 355,
D8/373, 380, 396; D26/75, 76, 79; 248/27.1,
200, 201, 223.41, 251; 362/368, 382, 488,
549, 225, 249, 257, 551

(56) **References Cited**

U.S. PATENT DOCUMENTS

3,758,823	A	*	9/1973	Jett et al.	315/219
D280,346	S	*	8/1985	Aspenwall	D26/75
5,303,127	A	*	4/1994	Kosann	362/296
D411,027	S	*	6/1999	Herst et al.	D26/79
6,315,478	B1	*	11/2001	Atkins	401/37
6,637,924	B2	*	10/2003	Pelka et al.	362/555

* cited by examiner

Primary Examiner—Stacia Cadmus

Assistant Examiner—Elizabeth Albert

(74) *Attorney, Agent, or Firm*—Robert Zielinski, Esq.;
Wolf, Block, Schorr & Solis-Cohen, LLP

(57) **CLAIM**

The ornamental design for a tear-shaped mounting bracket,
as shown and described.

DESCRIPTION

FIG. 1 is a perspective view showing a first and second
embodiments of the tear shaped mounting bracket of the
present invention shown in condition of use.

FIG. 2 is another perspective view thereof.

FIG. 3 is a side view thereof.

FIG. 4 is the opposite side view thereof.

FIG. 5 is a top view thereof.

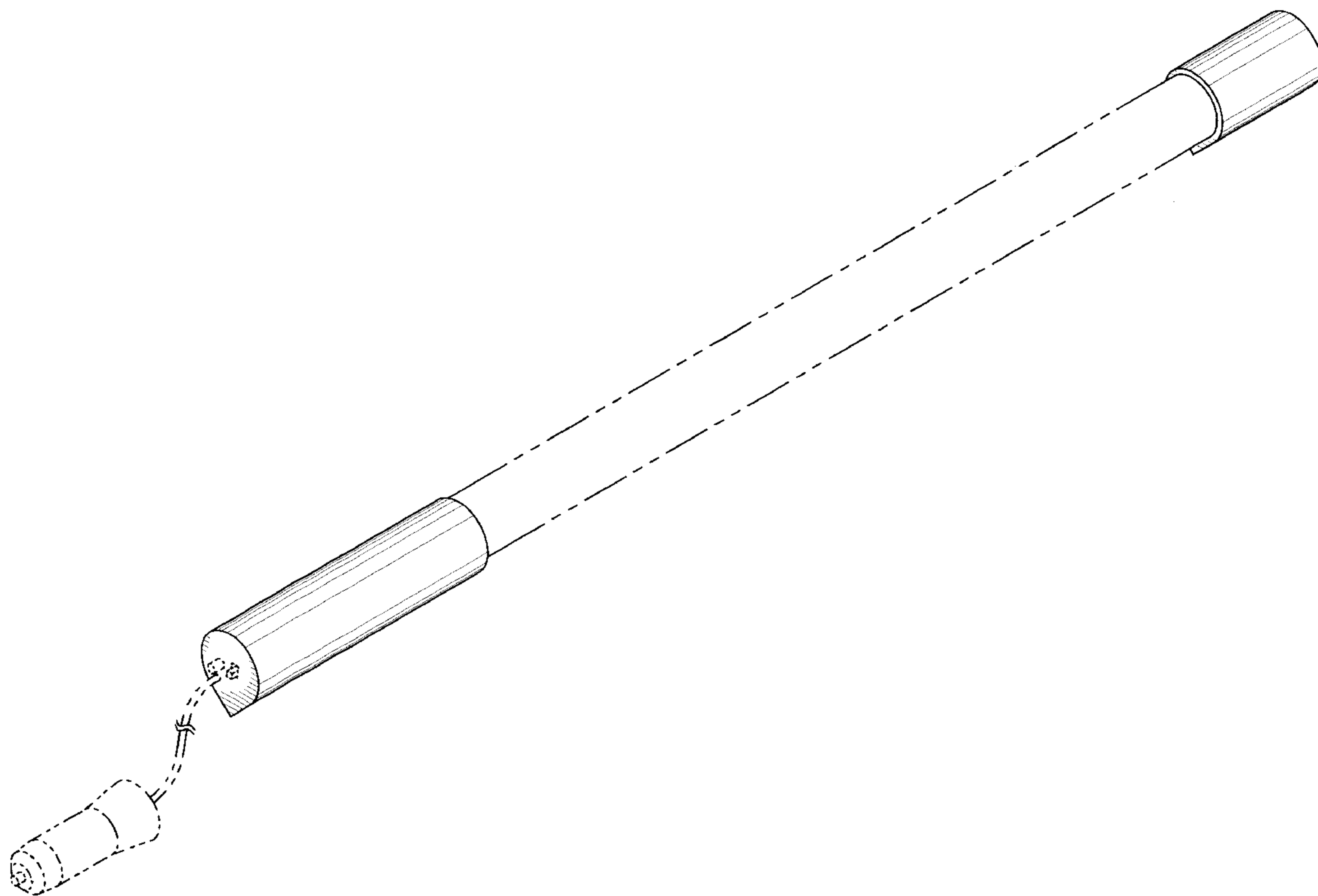
FIG. 6 is a bottom view thereof.

FIG. 7 is an end view of a first embodiment thereof with the
broken line showing of the adapter rotated 180°; and,

FIG. 8 is an end view of a second embodiment thereof with
the broken line showing of the adapter rotated 180°.

The broken lines showing environment in the drawings are
for illustrative purposes only and form no part of the claimed
design.

1 Claim, 4 Drawing Sheets



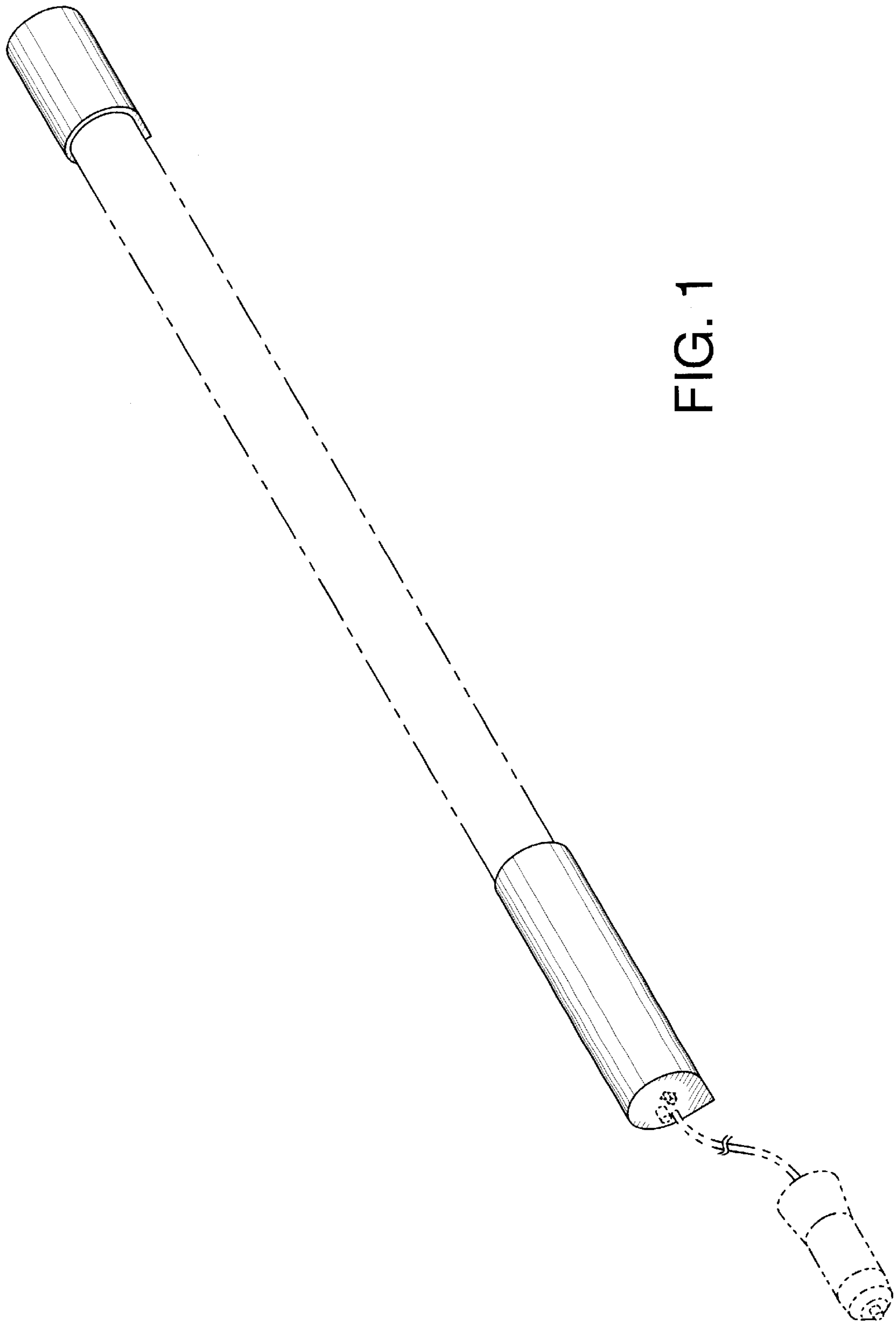


FIG. 1

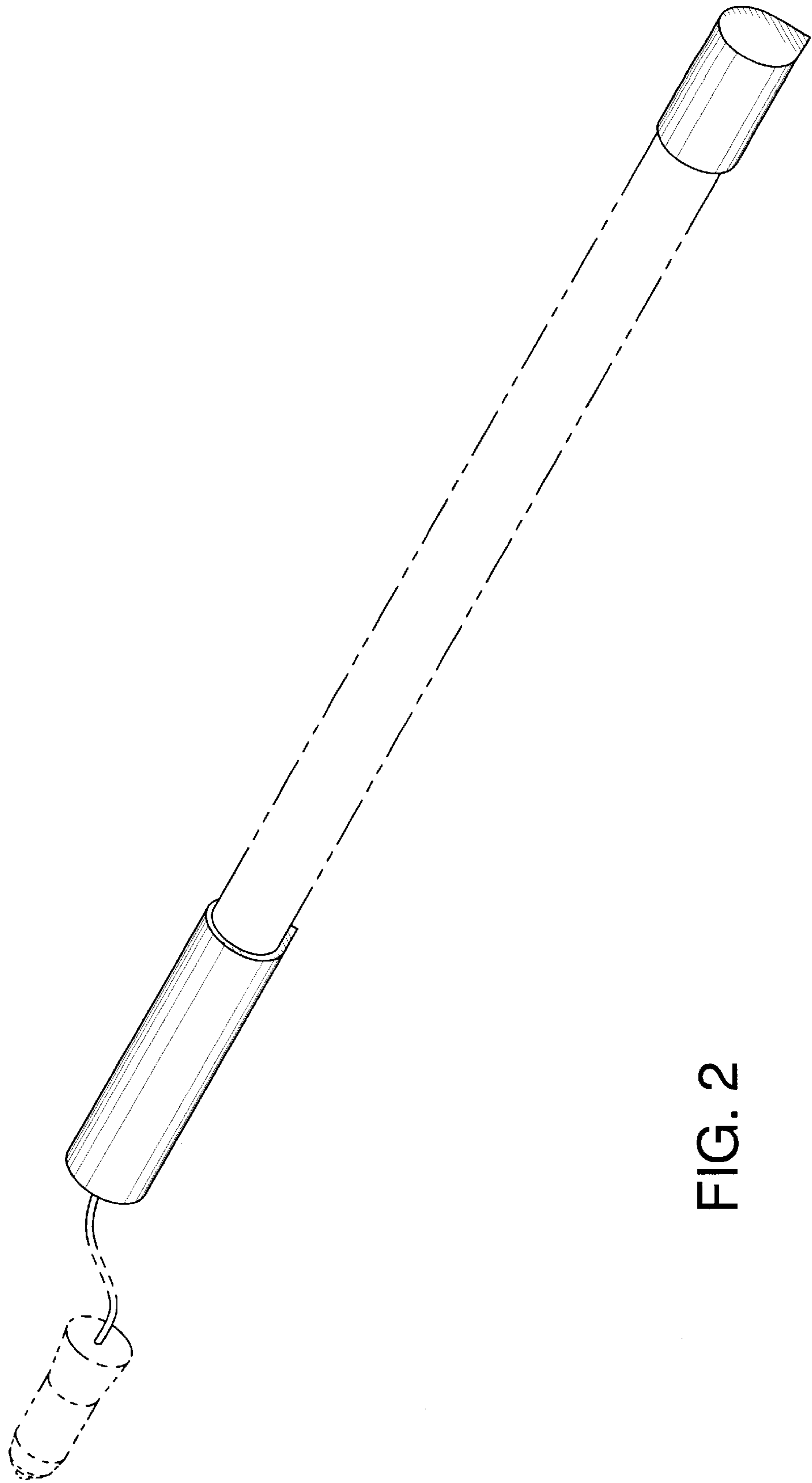
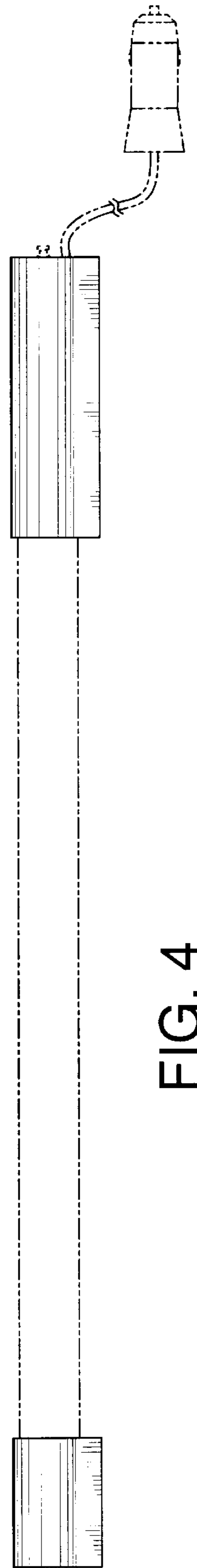
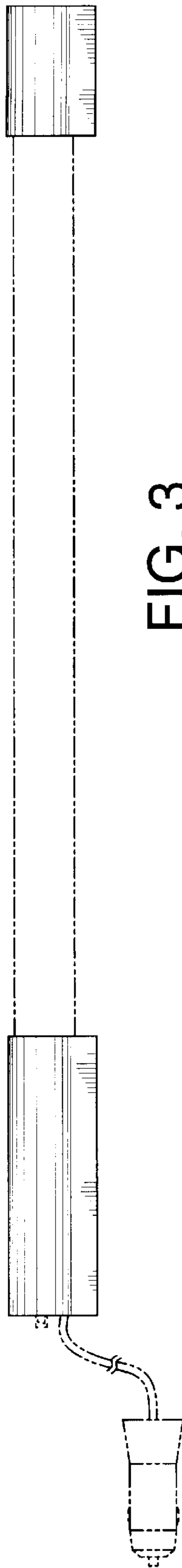


FIG. 2



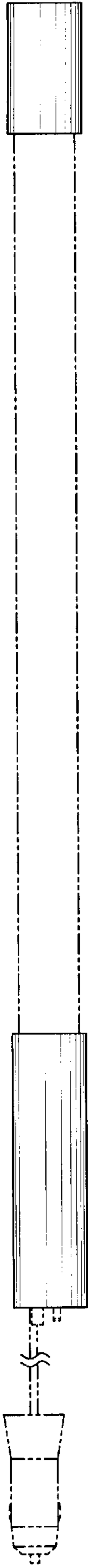


FIG. 5

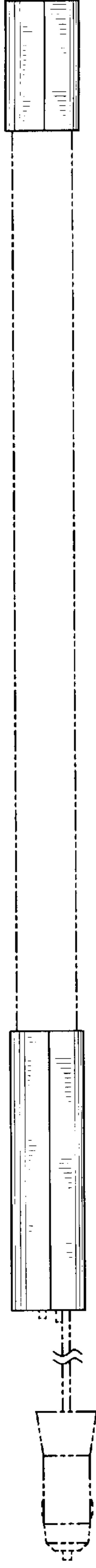


FIG. 6

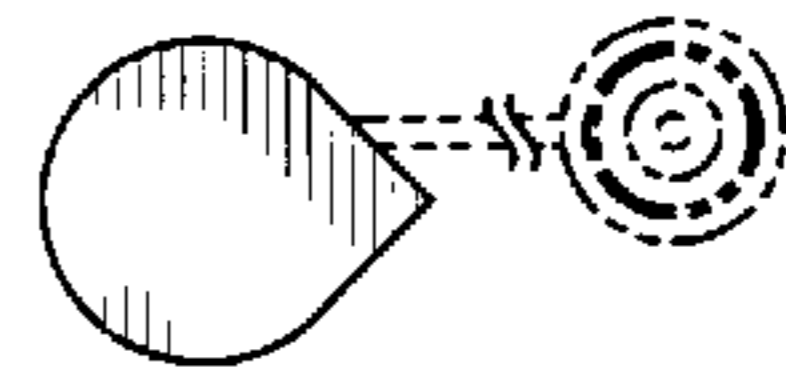


FIG. 7

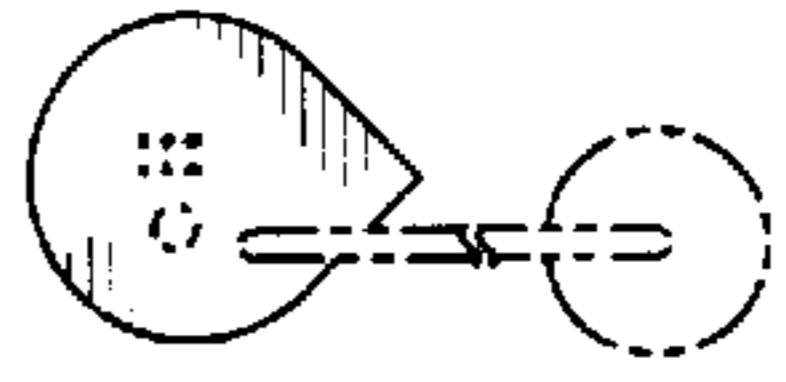


FIG. 8