



US00D490293S

(12) **United States Design Patent**
Brown

(10) **Patent No.:** **US D490,293 S**

(45) **Date of Patent:** **** May 25, 2004**

(54) **SPACER BLOCK FOR USE IN A HARDWARE ASSEMBLY FOR SLIDING DOORS**

(75) **Inventor:** **David Todd Brown**, Winston-Salem, NC (US)

(73) **Assignee:** **TCI Supply, Inc.**, Thomasville, NC (US)

(**) **Term:** **14 Years**

(21) **Appl. No.:** **29/166,088**

(22) **Filed:** **Aug. 21, 2002**

(51) **LOC (7) Cl.** **08-05**

(52) **U.S. Cl.** **D8/354**

(58) **Field of Search** D8/349, 354, 373, D8/380, 400, 377; 16/87 B, 87 R, 87.4 R, 93 R, 94 R, 95 R, 96 R; 49/404, 406, 407, 409; 52/204.1, 213, 215, 216, 217; 160/181, 196.1, 197

(56) **References Cited**

U.S. PATENT DOCUMENTS

5,832,980 A * 11/1998 Cianciolo 160/197
D422,884 S * 4/2000 Lafond D8/354

6,209,171 B1 * 4/2001 Pelletier et al. 16/87 R
6,282,770 B1 9/2001 Lyon 29/434
6,324,727 B1 * 12/2001 Ortoleva et al. 16/94 R
6,435,635 B1 8/2002 Lyon 312/322

* cited by examiner

Primary Examiner—Doris V. Coles

Assistant Examiner—Elizabeth A. Albert

(74) *Attorney, Agent, or Firm*—Smith Moore LLP

(57) **CLAIM**

The ornamental design for a spacer block for use in a hardware assembly for sliding doors, as shown and described.

DESCRIPTION

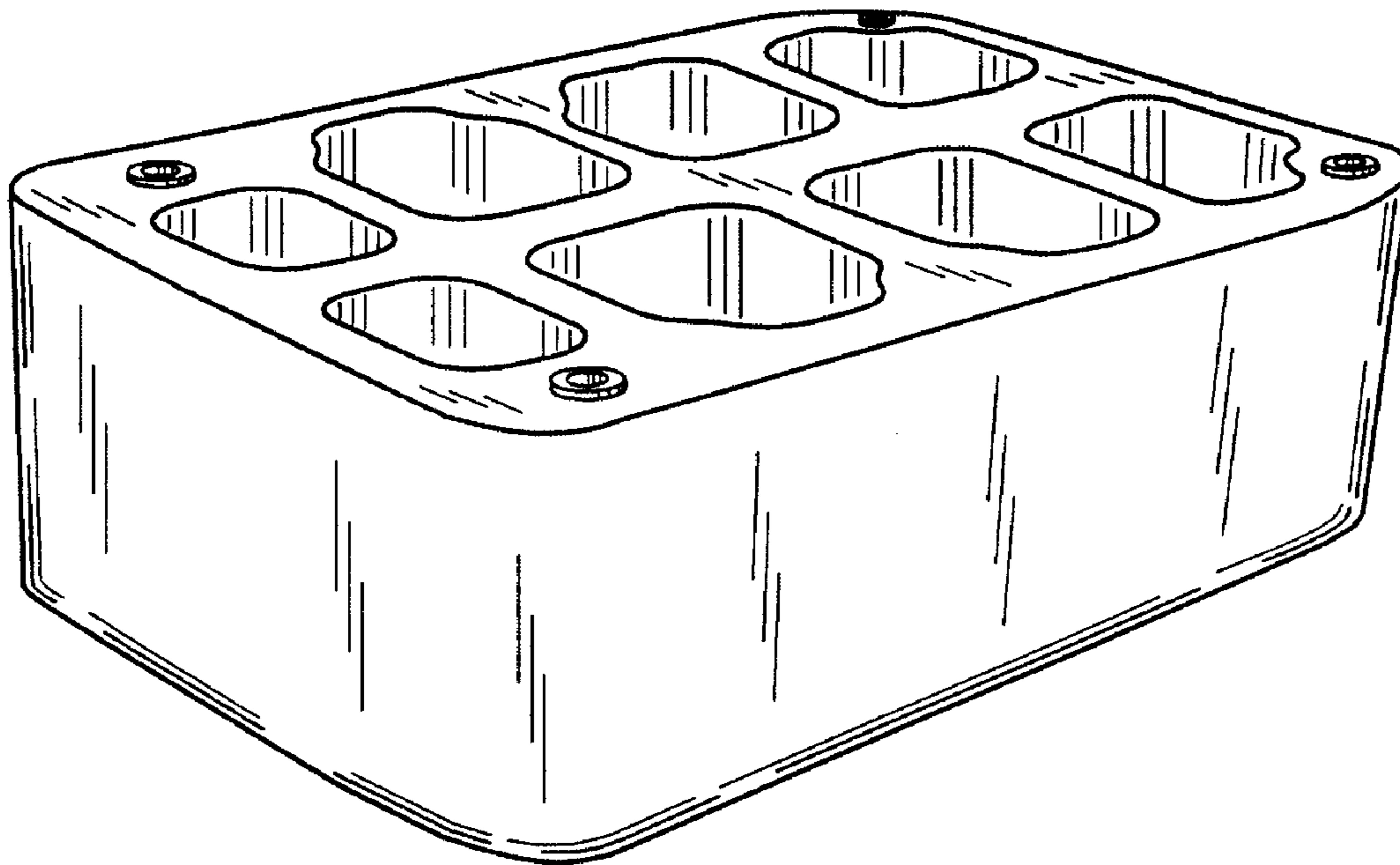
FIG. 1 is a top perspective view of a spacer block for use in a hardware assembly for sliding doors showing my new design;

FIG. 2 is a side elevational view of the spacer block of FIG. 1, the opposite side elevational view appearing the same;

FIG. 3 is an end elevational view of the spacer block of FIG. 1, the opposite end elevational view appearing the same;

FIG. 4 is a top plan view of the spacer block of FIG. 1; and, FIG. 5 is a bottom plan view of the spacer block of FIG. 1.

1 Claim, 2 Drawing Sheets



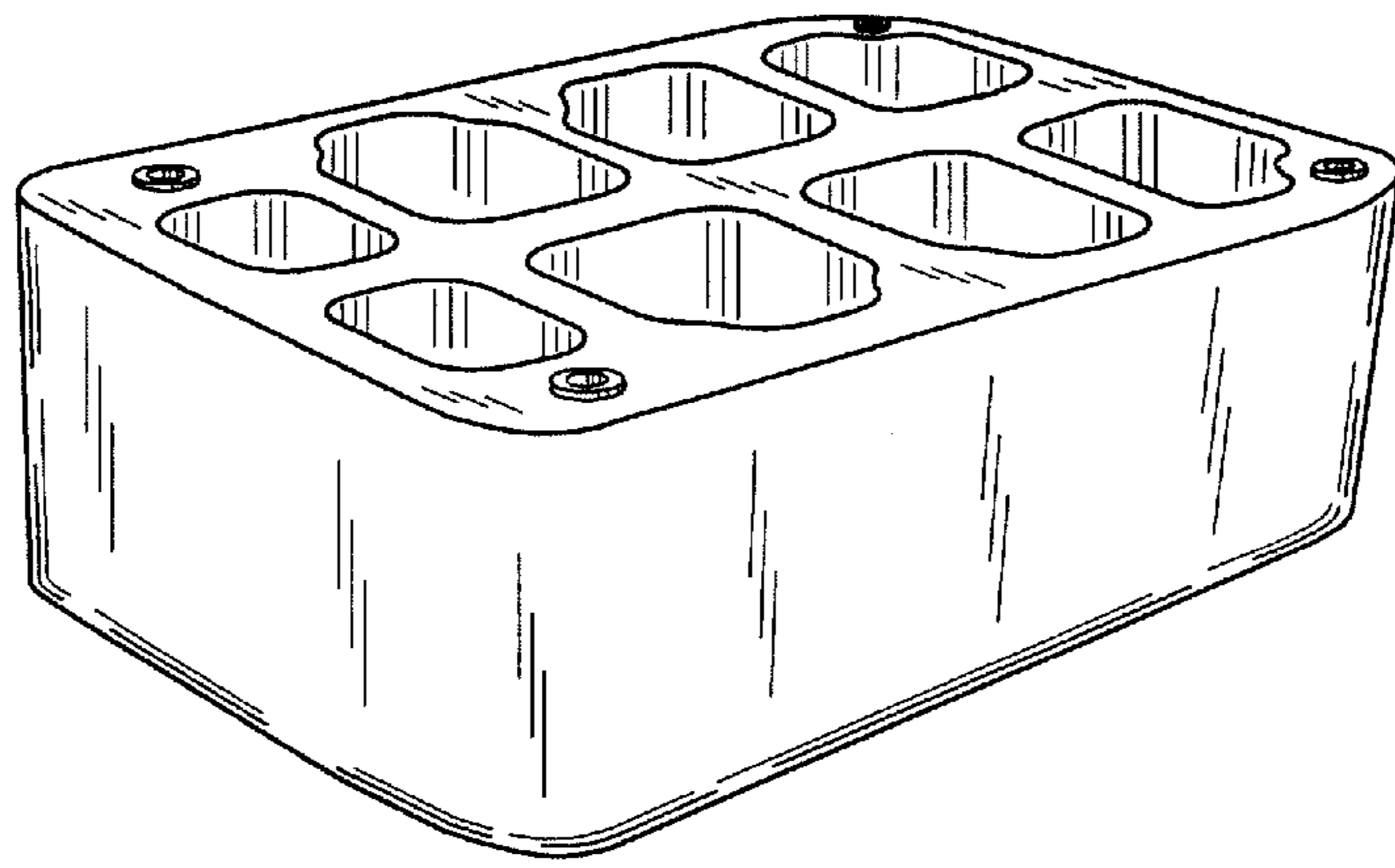


FIG. 1

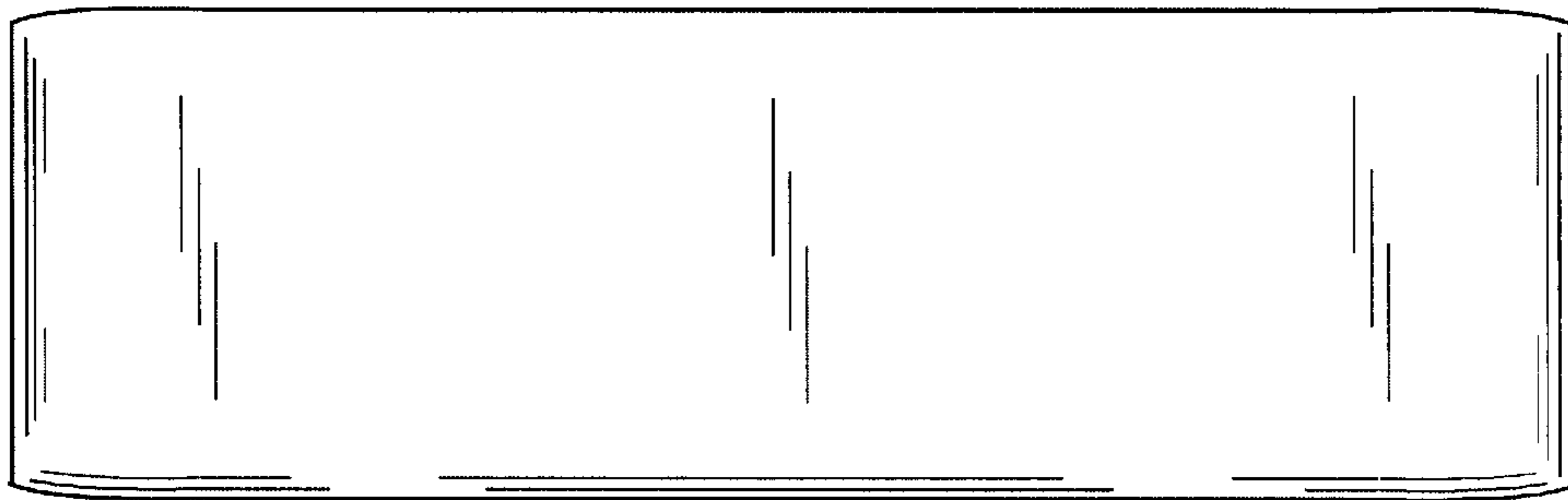


FIG. 2

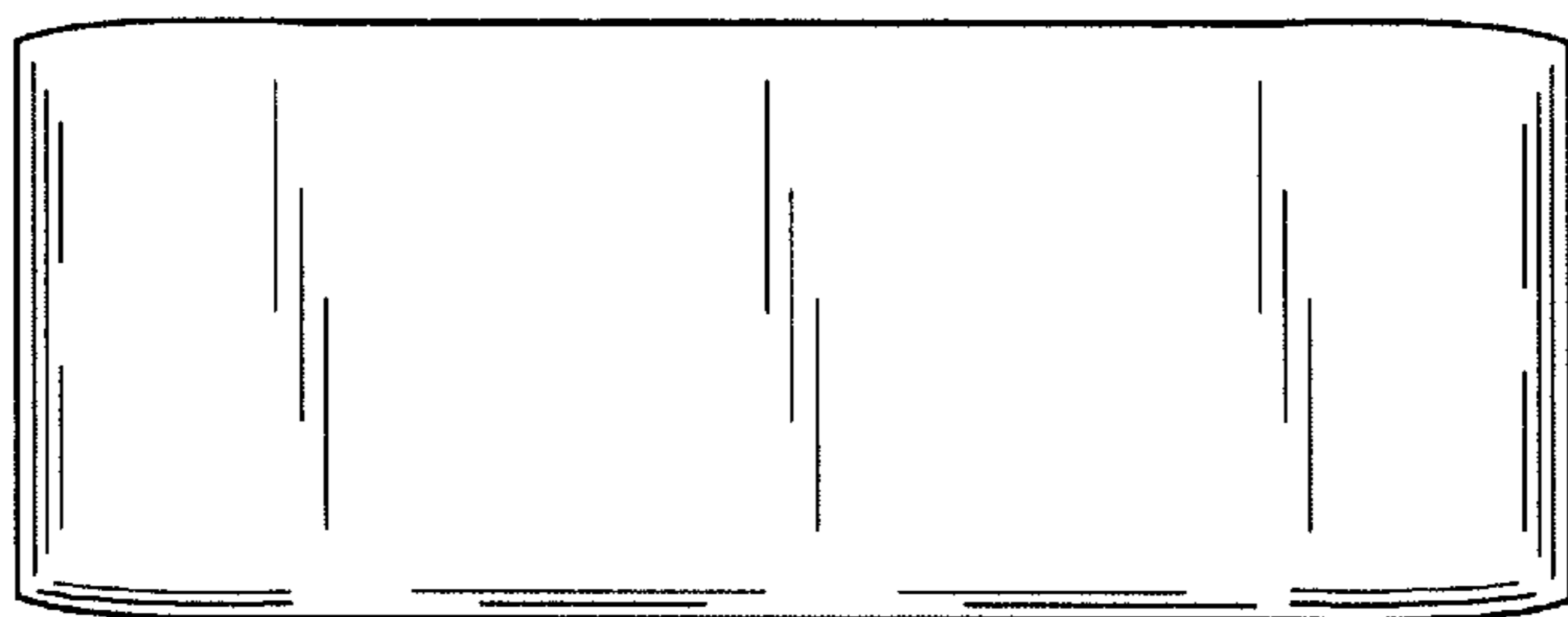


FIG. 3

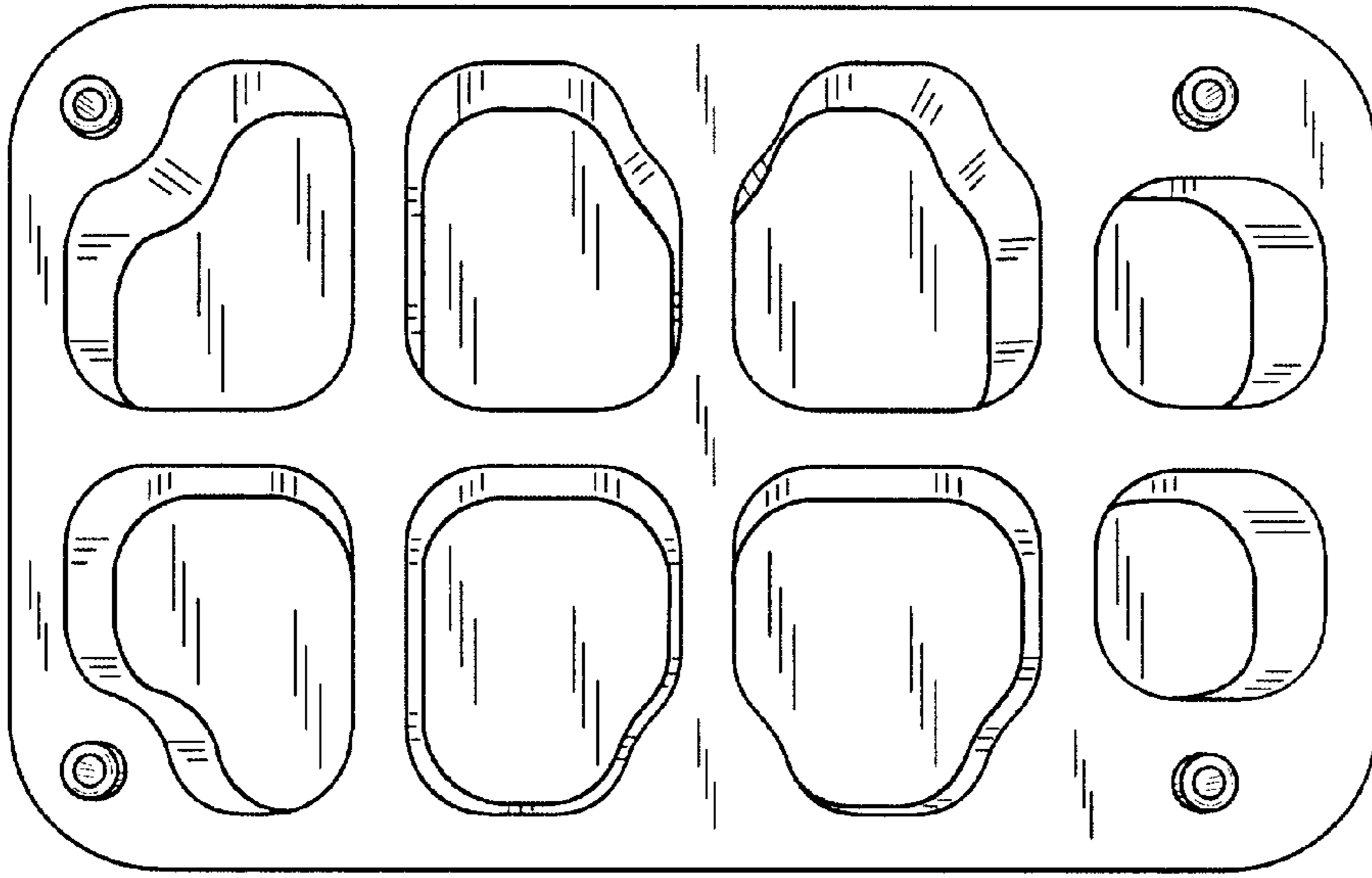


FIG. 4

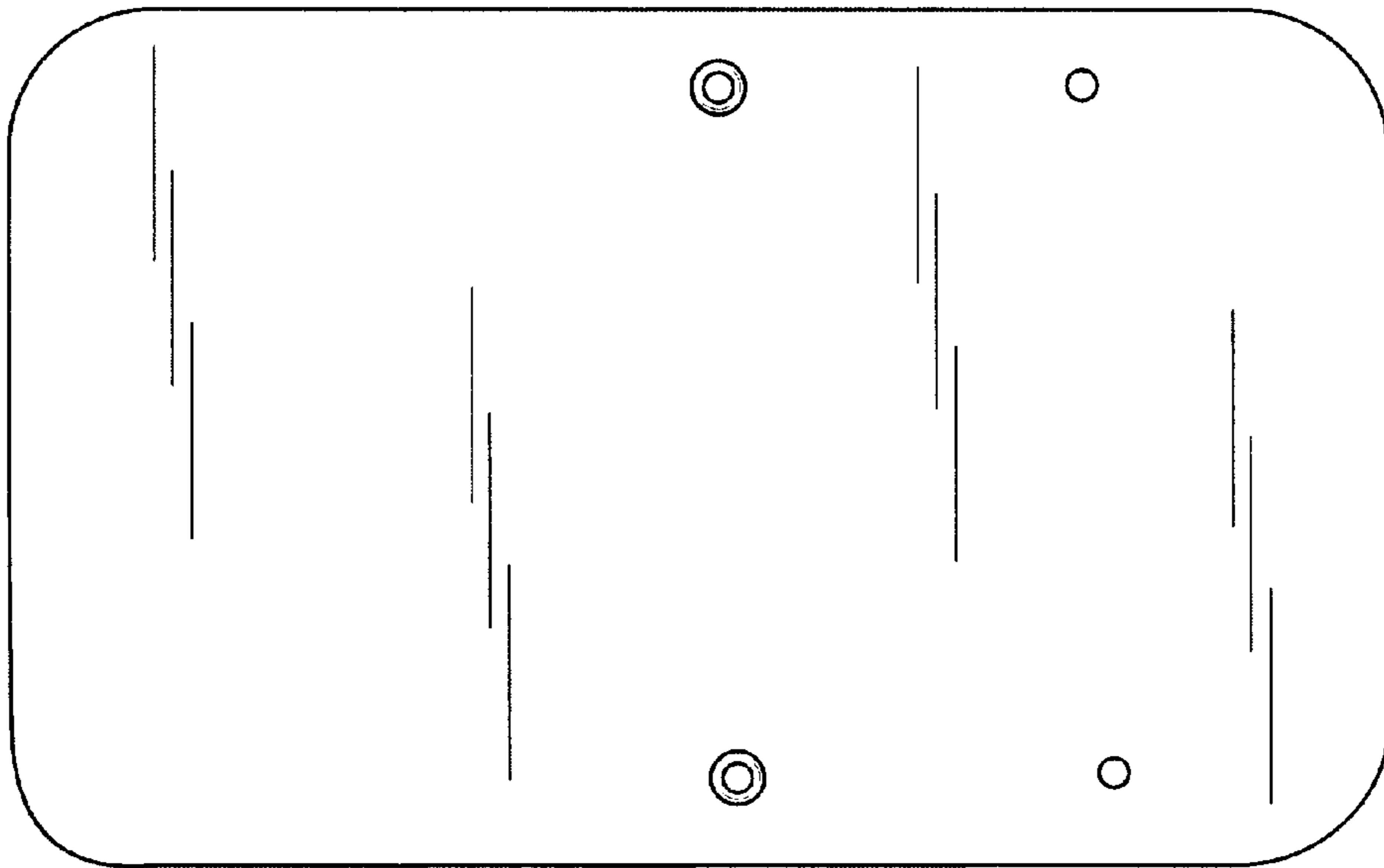


FIG. 5