



US00D490292S

(12) **United States Design Patent**  
**Hansen**

(10) **Patent No.:** **US D490,292 S**

(45) **Date of Patent:** **\*\* May 25, 2004**

(54) **D-SHAPED HANDLE TRAY**

Application Ser. No. 29/153082; filed Jan. 4, 2002; applicant Hansen.\*

(76) Inventor: **Randall C. Hansen**, 6 Old Mill Ct., Columbia, SC (US) 29206

Application Ser. No. 29/153088; filed Jan. 4, 2002; applicant Hansen.\*

(\*\*) Term: **14 Years**

Application Ser. No. 29/153080; filed Jan. 4, 2002; applicant Hansen.\*

(21) Appl. No.: **29/153,121**

(22) Filed: **Jan. 4, 2002**

\* cited by examiner

(51) **LOC (7) Cl.** ..... **11-05**

*Primary Examiner*—B. J. Bullock

(52) **U.S. Cl.** ..... **D8/352; D8/306; D8/350**

(58) **Field of Search** ..... D8/300–302, 306, D8/307, 350, 352, 353, 338, 341, 399; 292/336.3, 347, 356, 357, DIG. 12, 23, 30, 31, 67; 16/402, 412, 445; 70/208, 211, 101, 91

(57) **CLAIM**

The ornamental design for a D-shaped handle tray, as shown and described.

**DESCRIPTION**

(56) **References Cited**

**U.S. PATENT DOCUMENTS**

- 1,878,544 A \* 9/1932 Schmidt
- 2,744,406 A \* 5/1956 Labrie
- 2,783,494 A \* 3/1957 Sterling et al.
- RE24,443 E 3/1958 Labrie
- 2,871,048 A \* 1/1959 Balogh
- D210,153 S \* 2/1968 Pastva, Jr.
- D316,365 S \* 4/1991 Hansen et al.
- D439,500 S \* 3/2001 Mirick ..... D8/306

**OTHER PUBLICATIONS**

Application Ser. No. 29/153120; filed Jan. 4, 2002; applicant Hansen.\*

Application Ser. No. 29/153122; filed Jan. 4, 2002; applicant Hansen.\*

FIG. 1 is a front perspective view of a first embodiment of the design;

FIG. 2 is a front view thereof;

FIG. 3 is a right side view thereof;

FIG. 4 is a top view thereof;

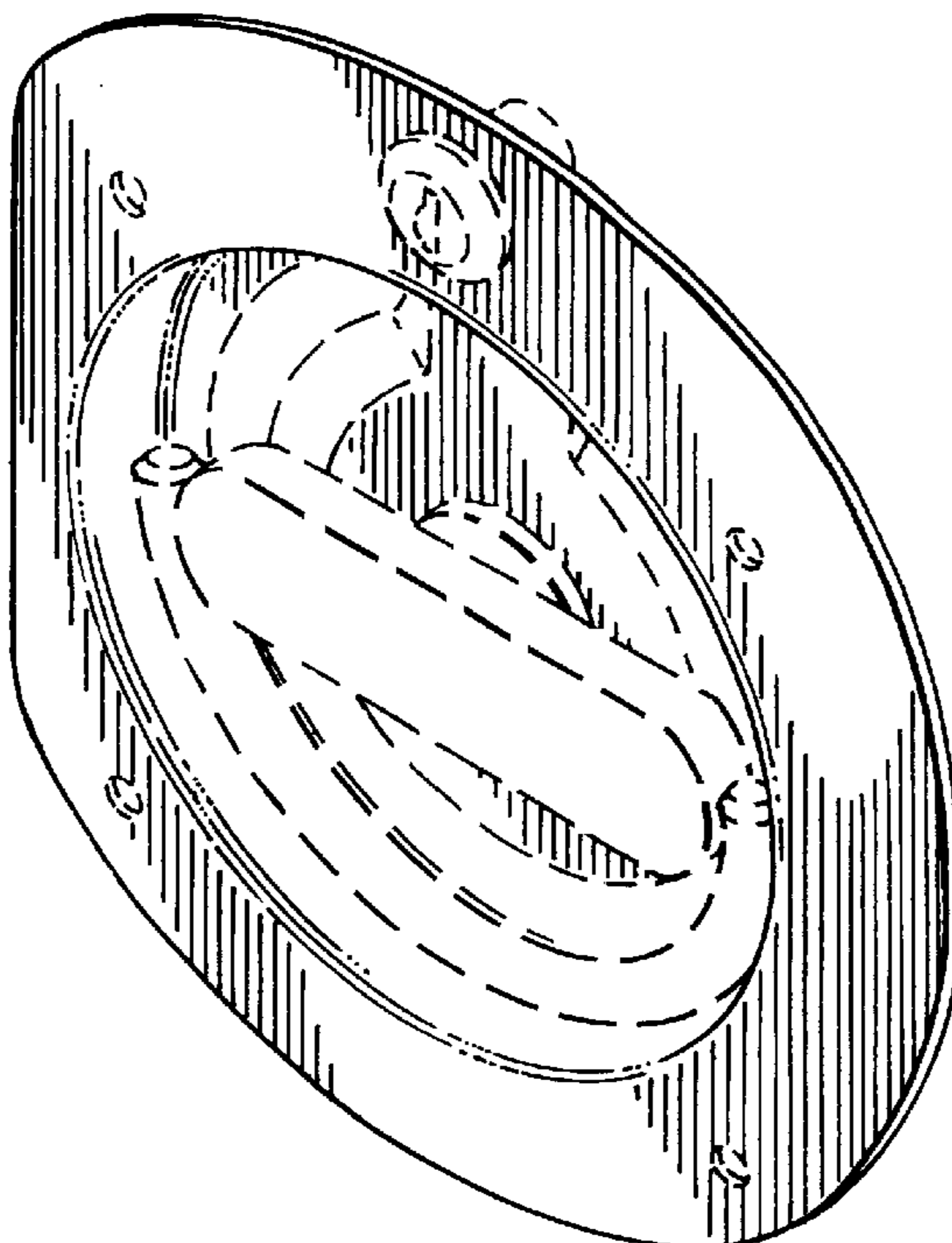
FIG. 5 is a rear view thereof;

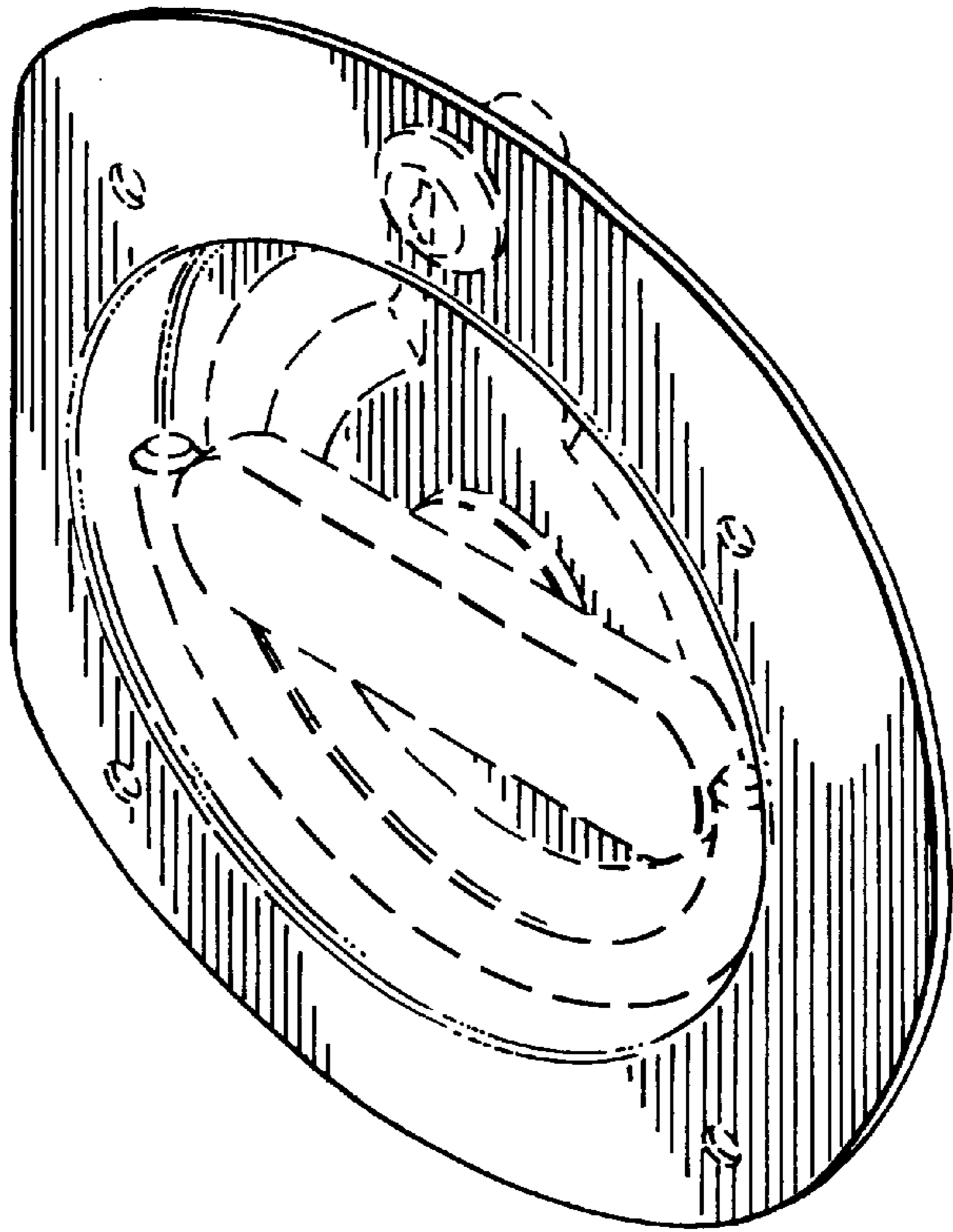
FIG. 6 is a bottom view thereof; and,

FIG. 7 is a front view of a second embodiment of the design.

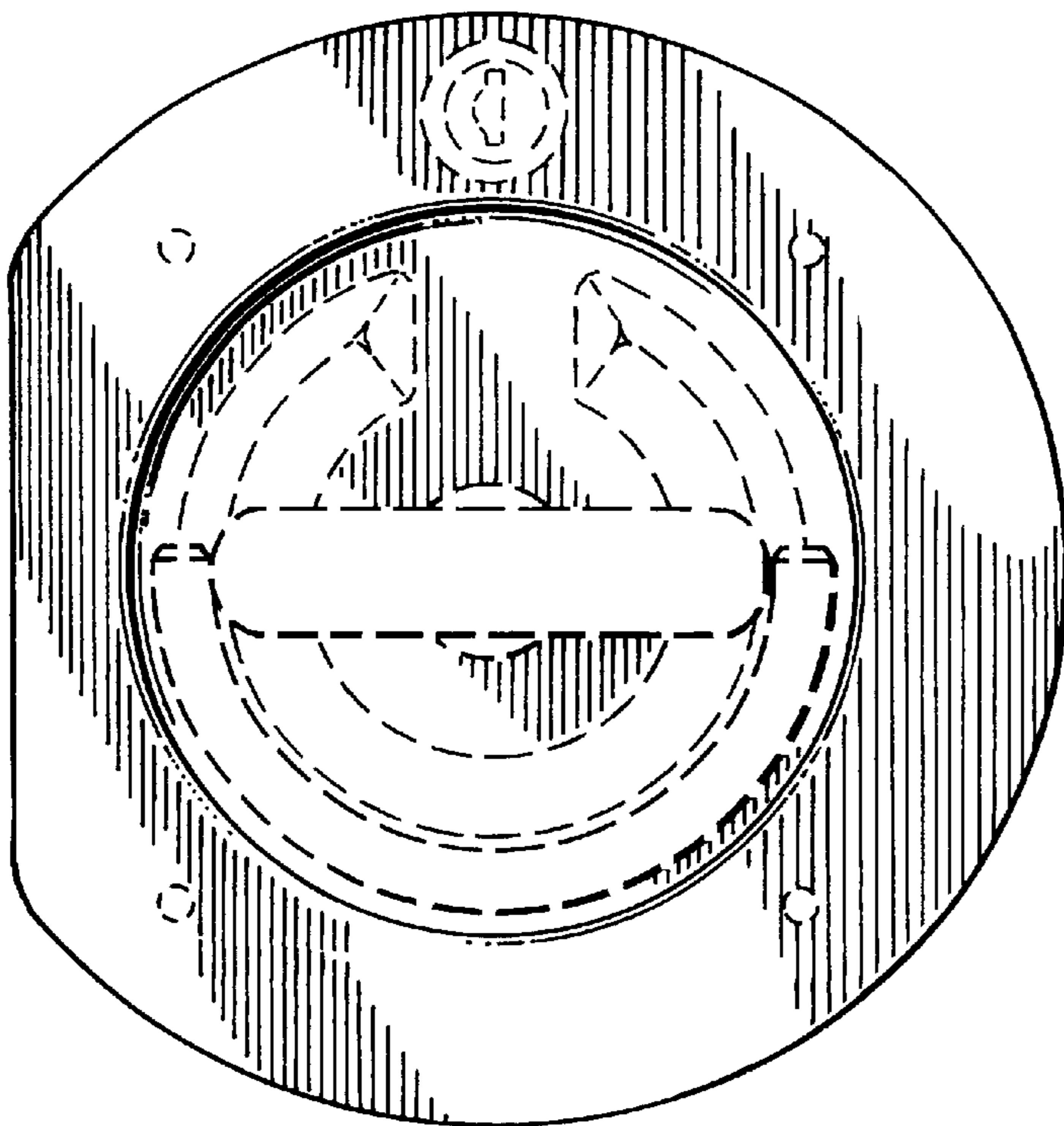
Elements shown in dotted lines are not part of the claim.

**1 Claim, 3 Drawing Sheets**

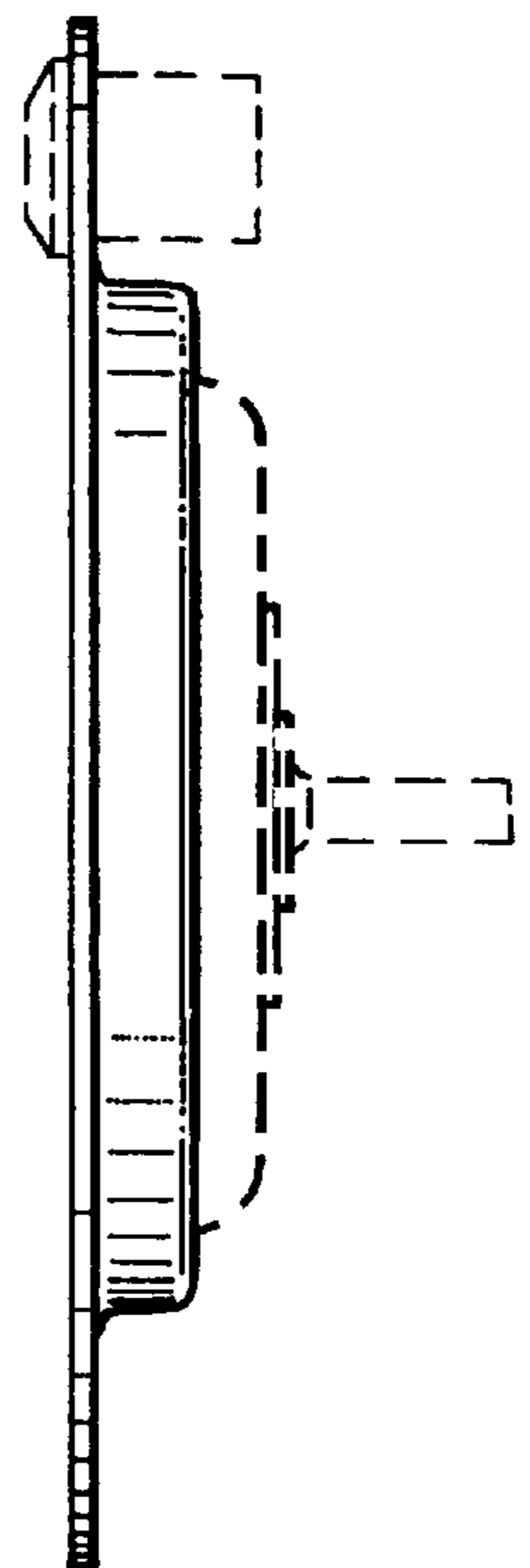




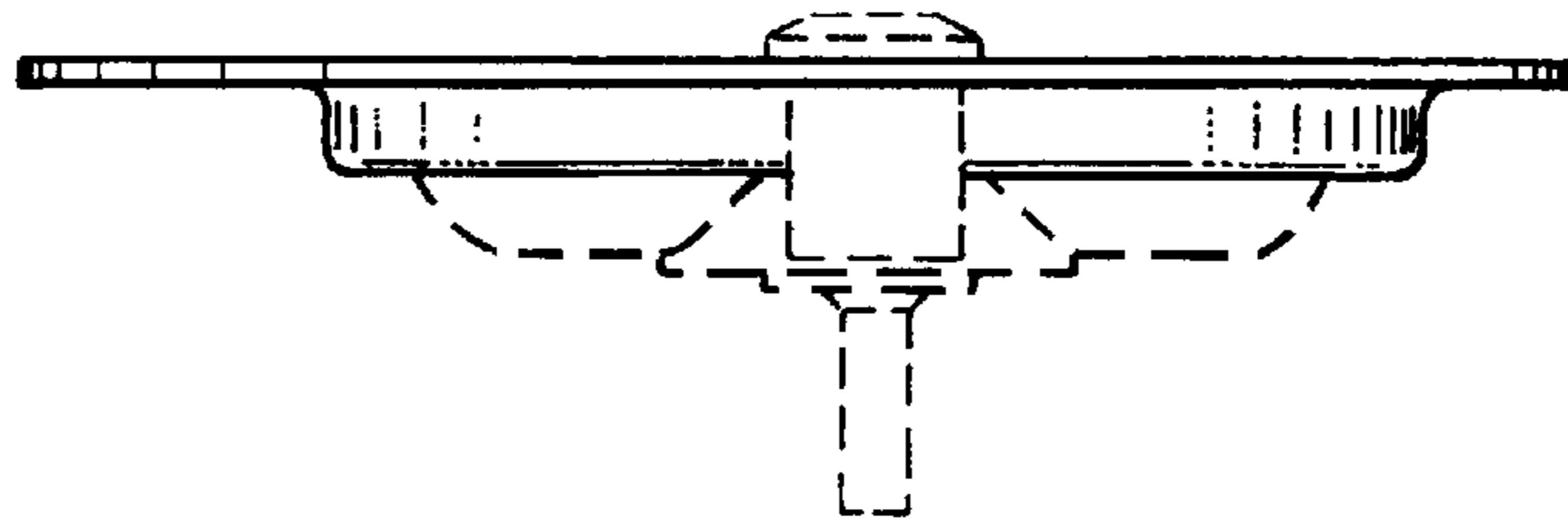
*Fig. 1*



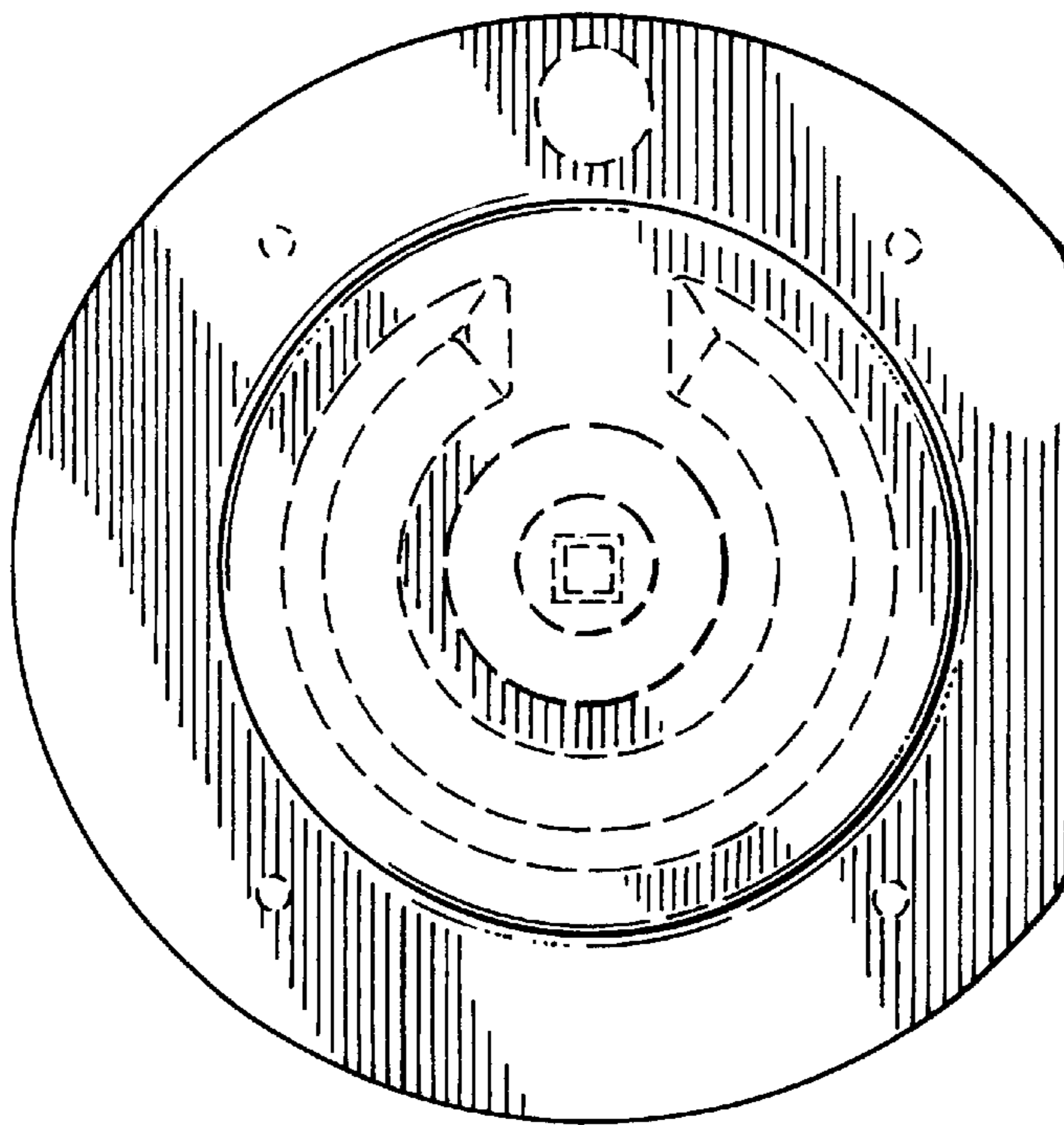
*Fig. 2*



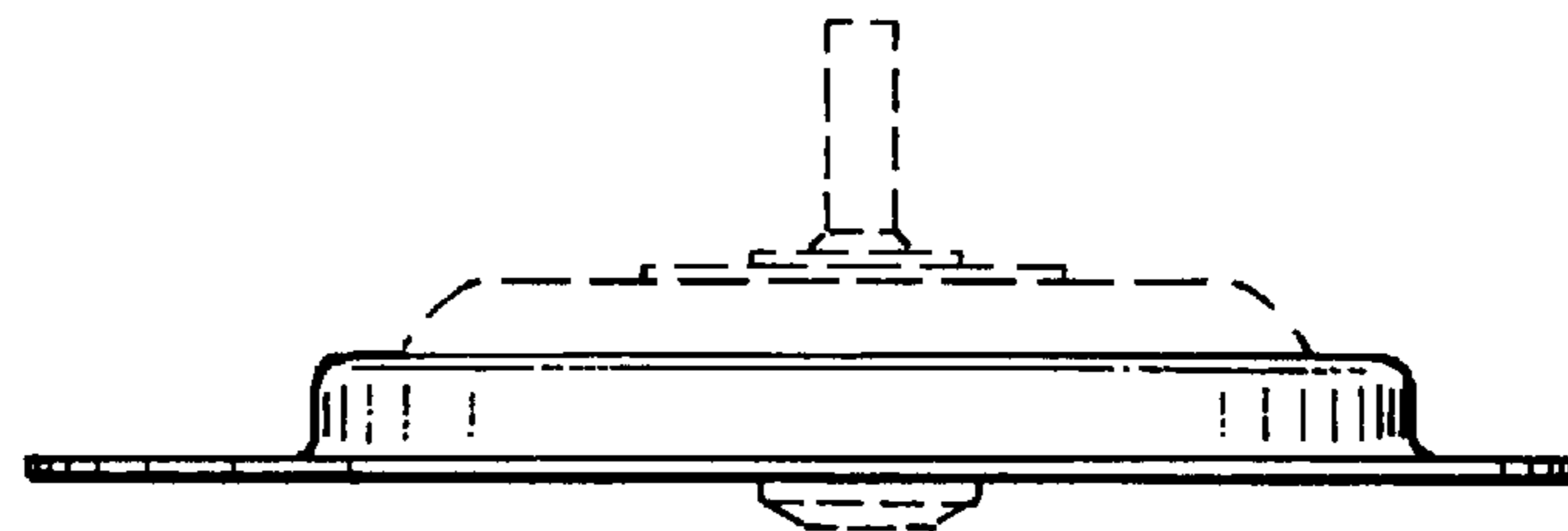
*Fig. 3*



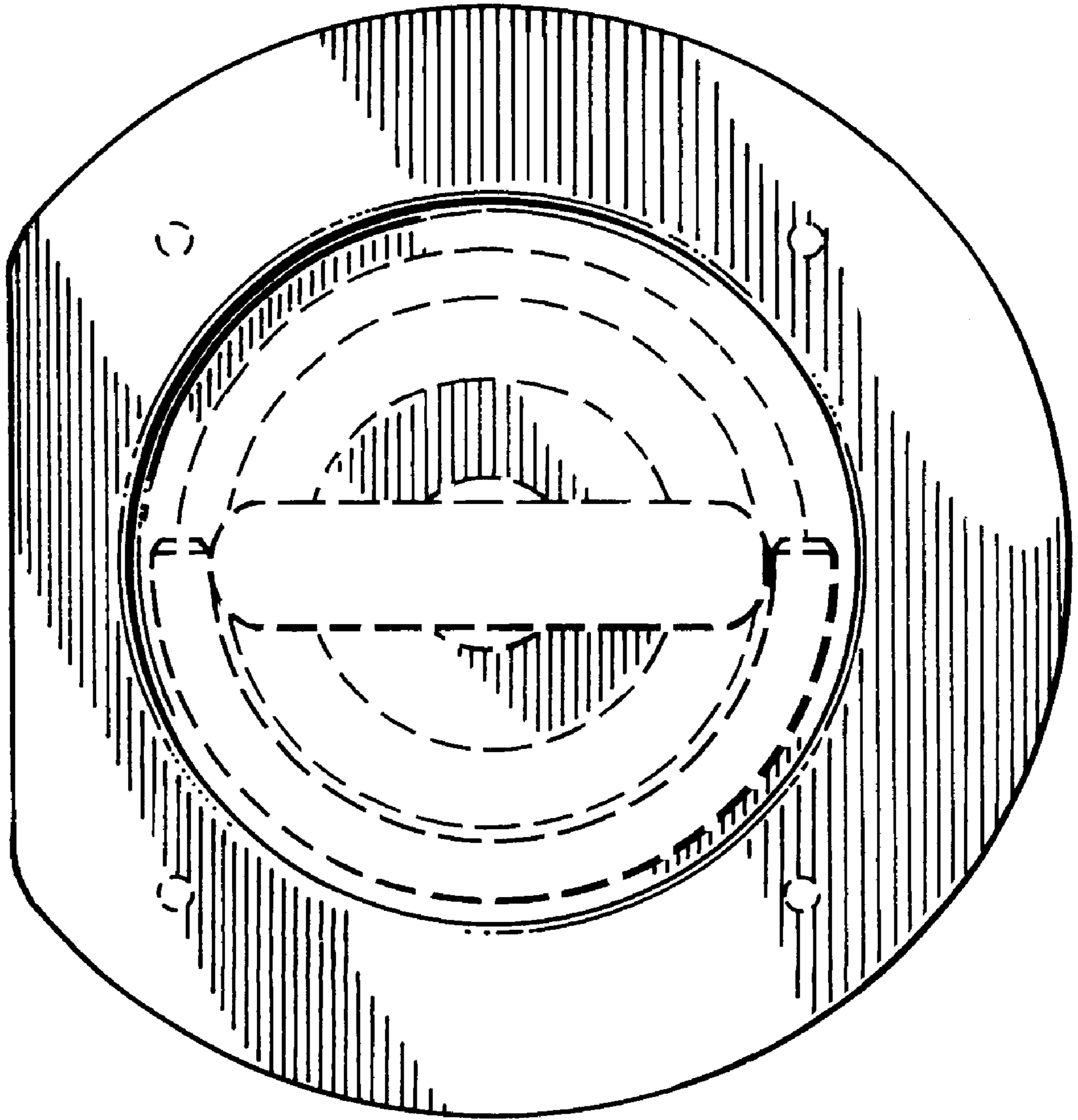
*Fig. 4*



*Fig. 5*



*Fig. 6*



*Fig. 7*