



US00D490289S

(12) **United States Design Patent**  
**Chuang**

(10) **Patent No.:** **US D490,289 S**

(45) **Date of Patent:** **\*\* May 25, 2004**

(54) **WORKBENCH FOR BICYCLES**

5,996,814 A \* 12/1999 Workman et al. .... 211/22  
6,375,135 B1 \* 4/2002 Eason et al. .... 248/171

(76) Inventor: **Louis Chuang**, 7F-8, No. 20, Ta Lon Road, Taichung (TW)

\* cited by examiner

(\*\*) Term: **14 Years**

*Primary Examiner*—Louis S. Zarfes

*Assistant Examiner*—Deanne Levy

(21) Appl. No.: **29/167,104**

(74) *Attorney, Agent, or Firm*—Alan Kamrath; Rider Bennett, LLP

(22) Filed: **Sep. 9, 2002**

(57) **CLAIM**

(51) **LOC (7) Cl.** ..... **08-05**

The ornamental design for workbench for bicycles, as shown and described.

(52) **U.S. Cl.** ..... **D8/72**

(58) **Field of Search** ..... D8/71-74; D34/28;  
248/127, 124.2, 188.7, 171, 411, 163.1;  
D12/115; 211/5, 13.1, 17, 22; 269/901,  
908, 909, 47, 49-51, 71, 76, 79, 97

**DESCRIPTION**

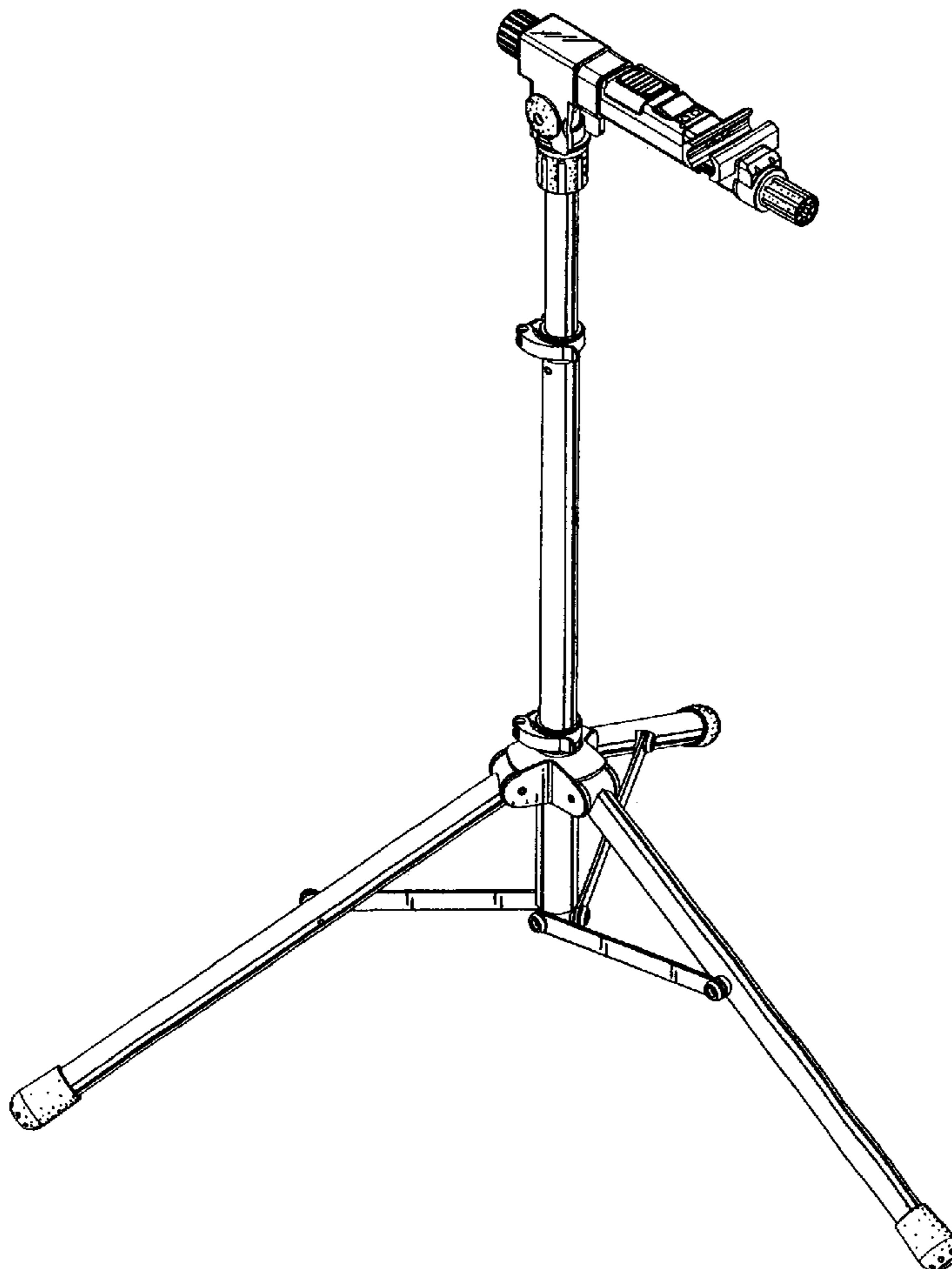
(56) **References Cited**

**U.S. PATENT DOCUMENTS**

3,514,091 A \* 5/1970 Johnson et al. .... 269/68  
3,981,491 A \* 9/1976 Snyder ..... 211/22  
5,385,280 A \* 1/1995 Littlepage et al. .... 269/71  
D356,901 S \* 4/1995 Schoenig et al. .... D6/400

FIG. 1 is a perspective view of a workbench for bicycles showing my new design;  
FIG. 2 is a front elevational view thereof; the opposite side being a mirror image of the shown.  
FIG. 3 is a left elevational view thereof;  
FIG. 4 is a right elevational view thereof;  
FIG. 5 is a top plan view thereof; and,  
FIG. 6 is a bottom plan view thereof.

**1 Claim, 3 Drawing Sheets**



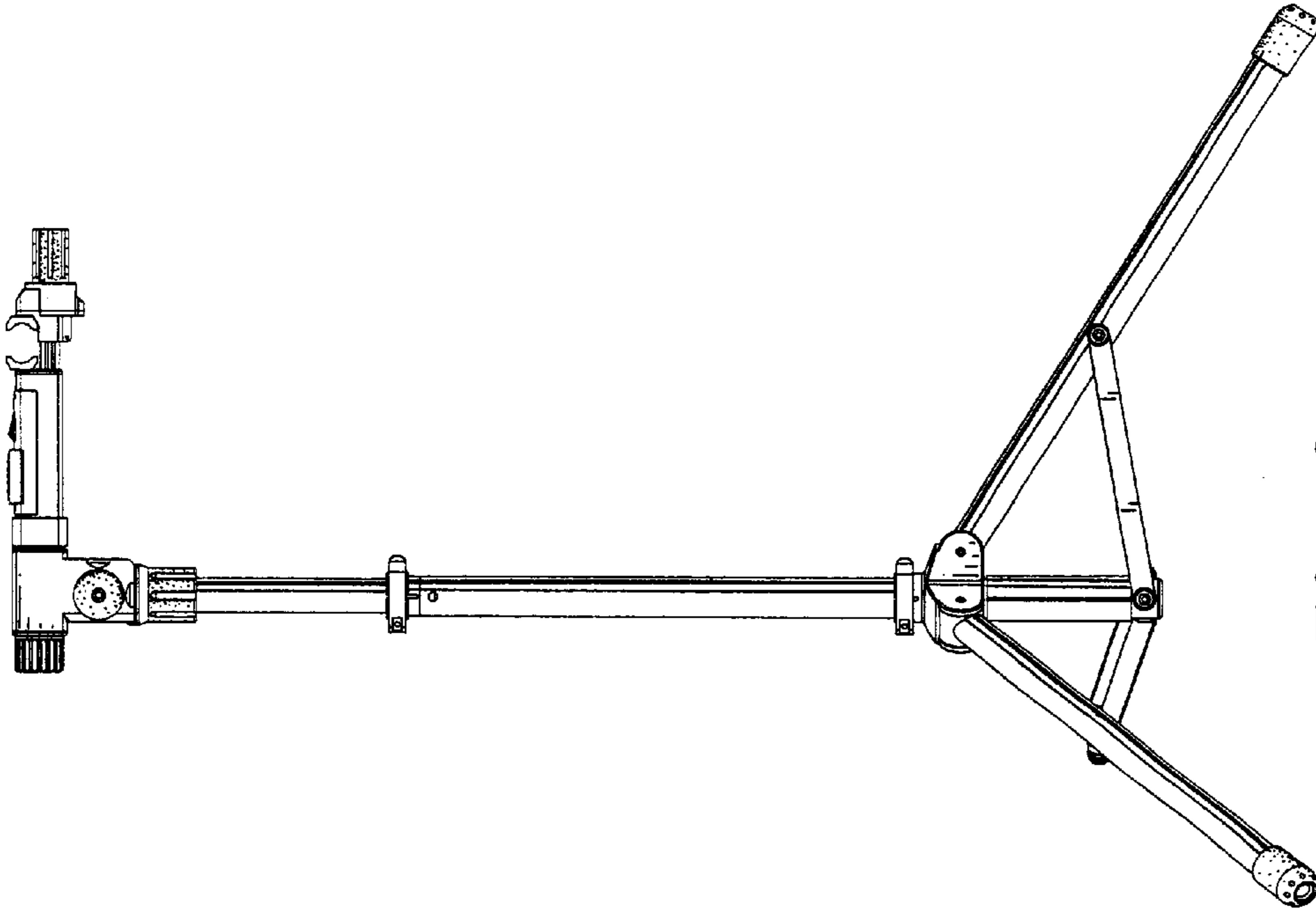


Fig. 2

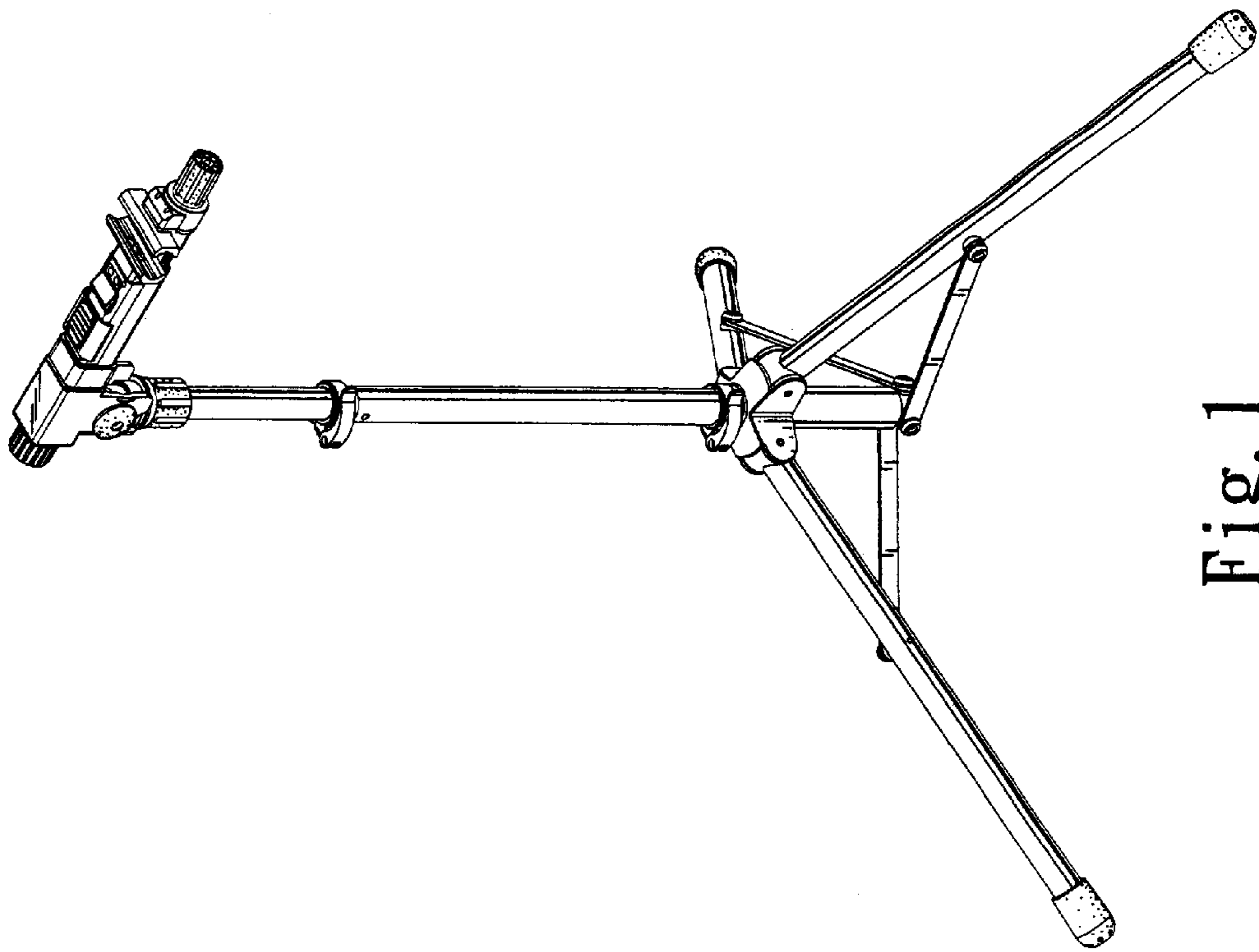


Fig. 1

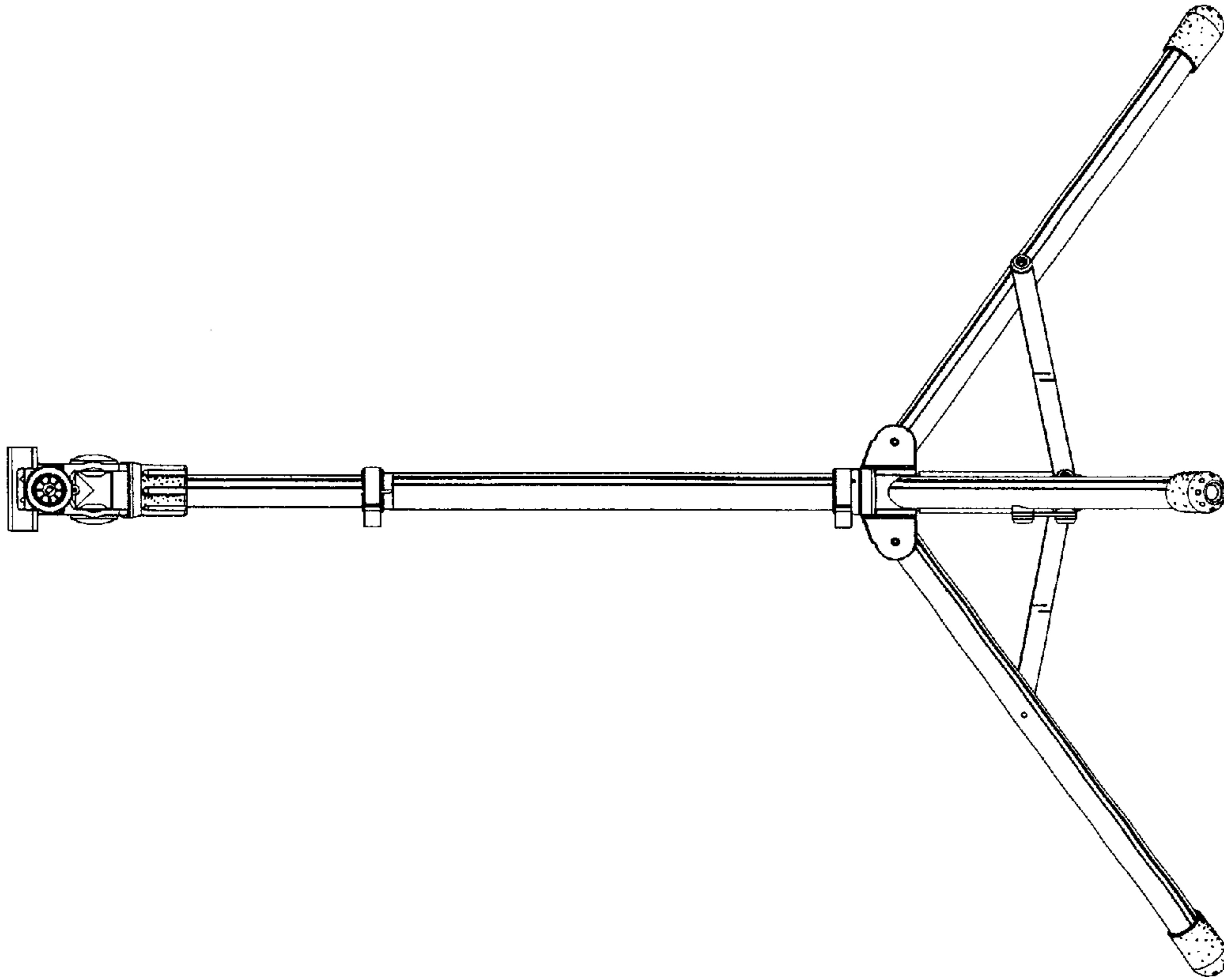


Fig. 4

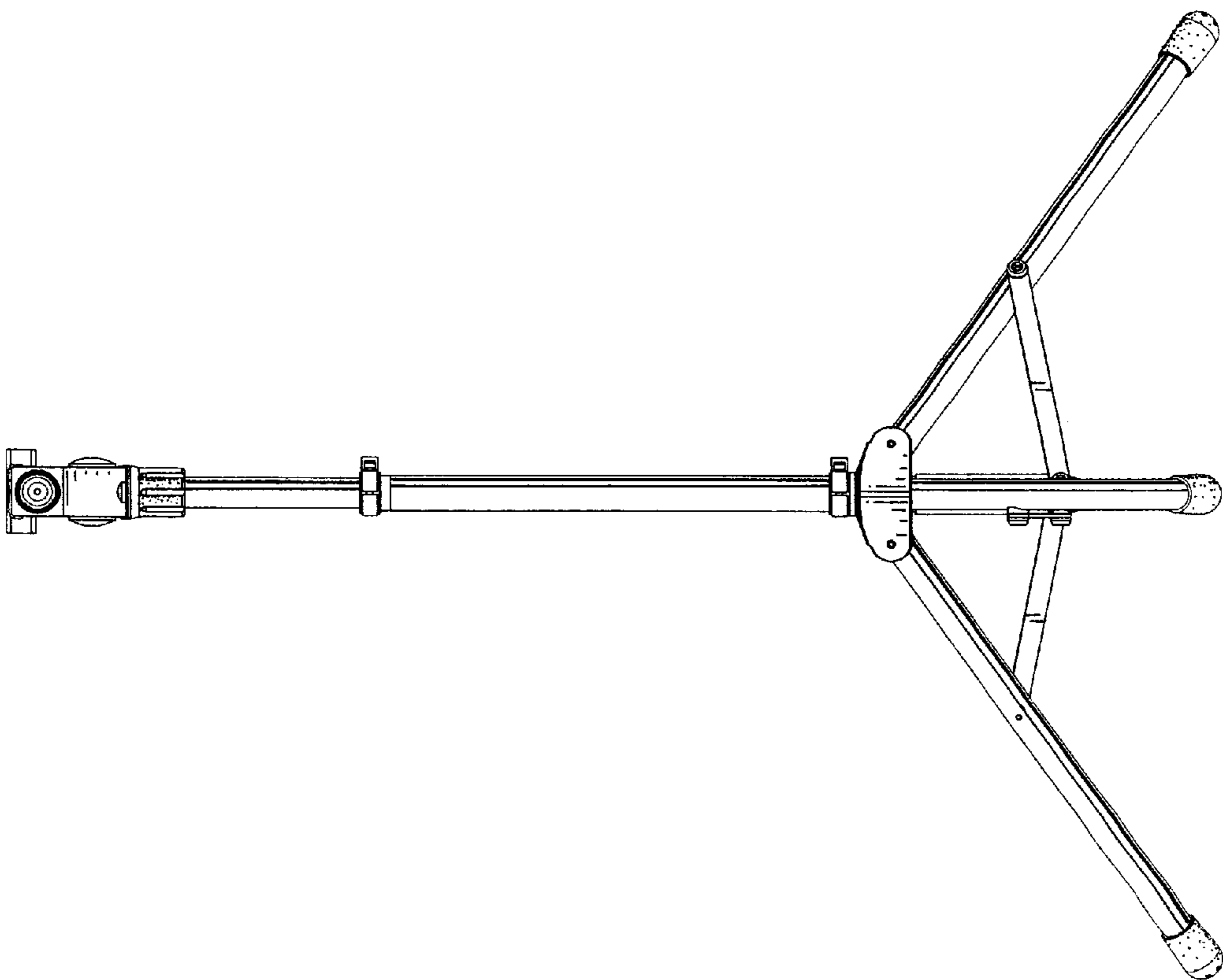


Fig. 3

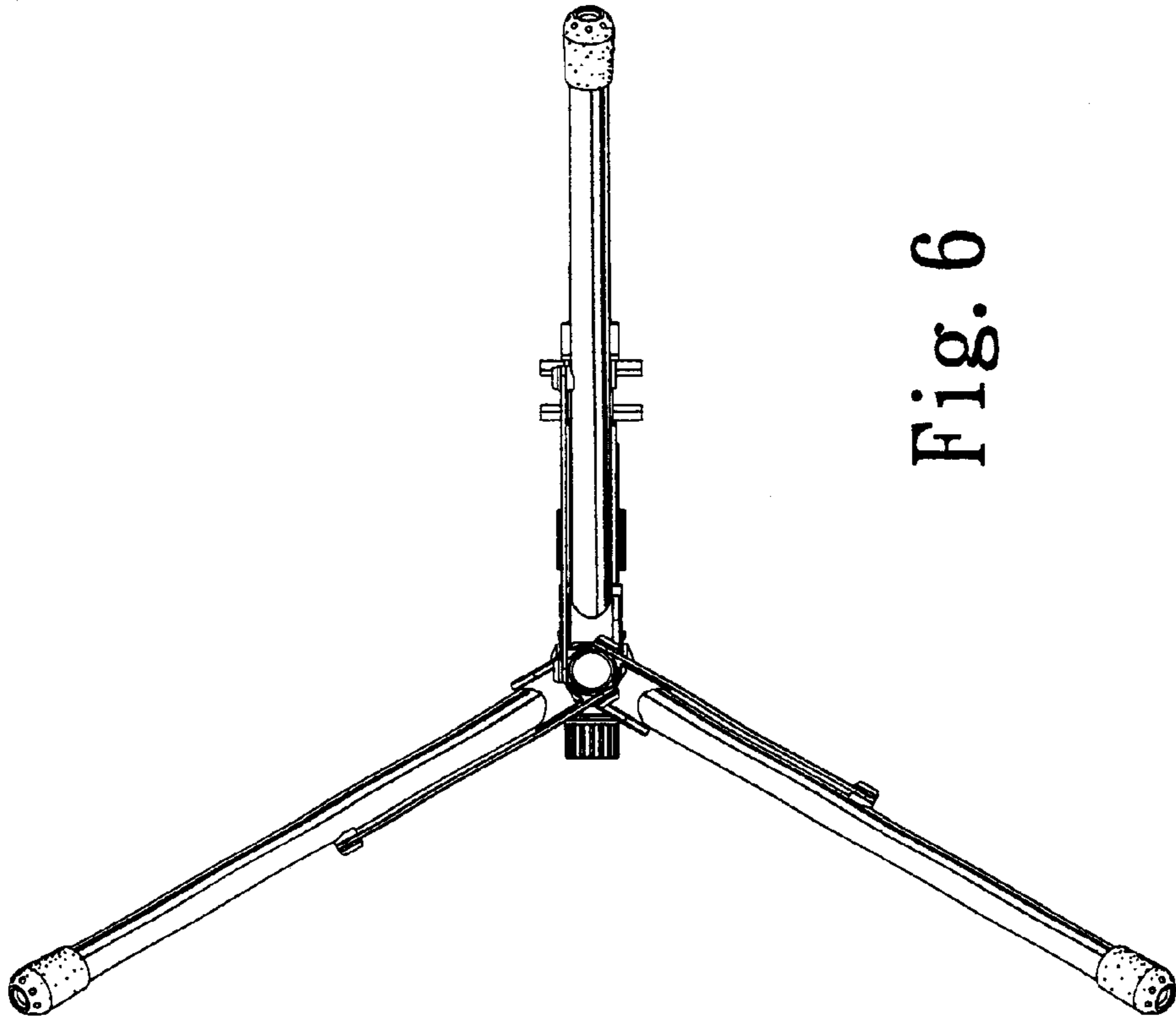


Fig. 6

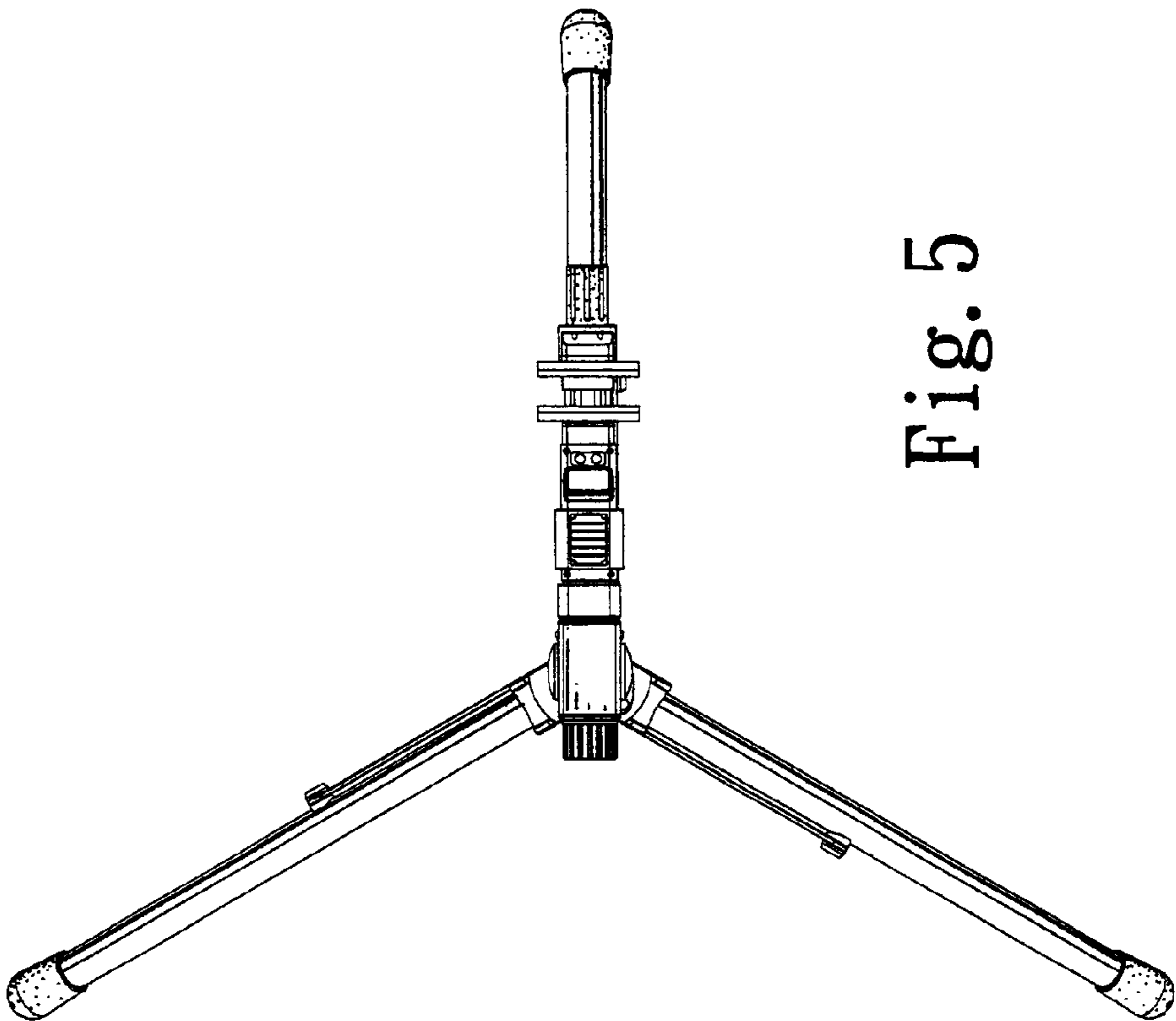


Fig. 5