



US00D490276S

(12) **United States Design Patent**
Pereira et al.

(10) **Patent No.:** **US D490,276 S**

(45) **Date of Patent:** **** May 25, 2004**

(54) **TRANSPARENT CAKE SHIELD HAVING
CANDLE APERTURES AND HANDLES**

4,080,884 A 3/1978 Terrell
D256,844 S * 9/1980 Conn D26/10
D285,159 S 8/1986 Wexler
D333,410 S * 2/1993 Panzarello D7/610
D446,083 S 8/2001 Marsh et al.

(76) Inventors: **Jorge M. Pereira**, 187 Rangeway Rd.,
North Billerica, MA (US) 01862-2013;
Kathleen A. Pereira, 187 Rangeway
Rd., North Billerica, MA (US)
01862-2013

* cited by examiner

Primary Examiner—Terry A. Wallace

(74) *Attorney, Agent, or Firm*—Donald R. Schoonover

(**) Term: **14 Years**

(57) **CLAIM**

(21) Appl. No.: **29/176,384**

We claim the ornamental design for a transparent cake shield having candle apertures and handles, as shown and described.

(22) Filed: **Feb. 21, 2003**

(51) **LOC (7) Cl.** **07-07**

DESCRIPTION

(52) **U.S. Cl.** **D7/610; D26/10**

(58) **Field of Search** D7/610; D26/9-13,
D26/16; 312/284; 428/13; 431/288, 291,
295, 293, 297

FIG. 1 is a perspective view of a transparent cake shield having candle apertures and handles showing our new design; the broken lines depict environmental structure for illustrative purposes only and form no part of the claimed design;

(56) **References Cited**

U.S. PATENT DOCUMENTS

1,125,855 A * 1/1915 Mapes 312/284
2,758,458 A * 8/1956 Carlson 312/280
2,960,770 A * 11/1960 Rudolph 431/295
3,107,587 A 10/1963 Tipton
3,736,214 A 5/1973 Birnie
3,819,455 A 6/1974 MacKindrick
3,951,053 A 4/1976 Kirkpatrick

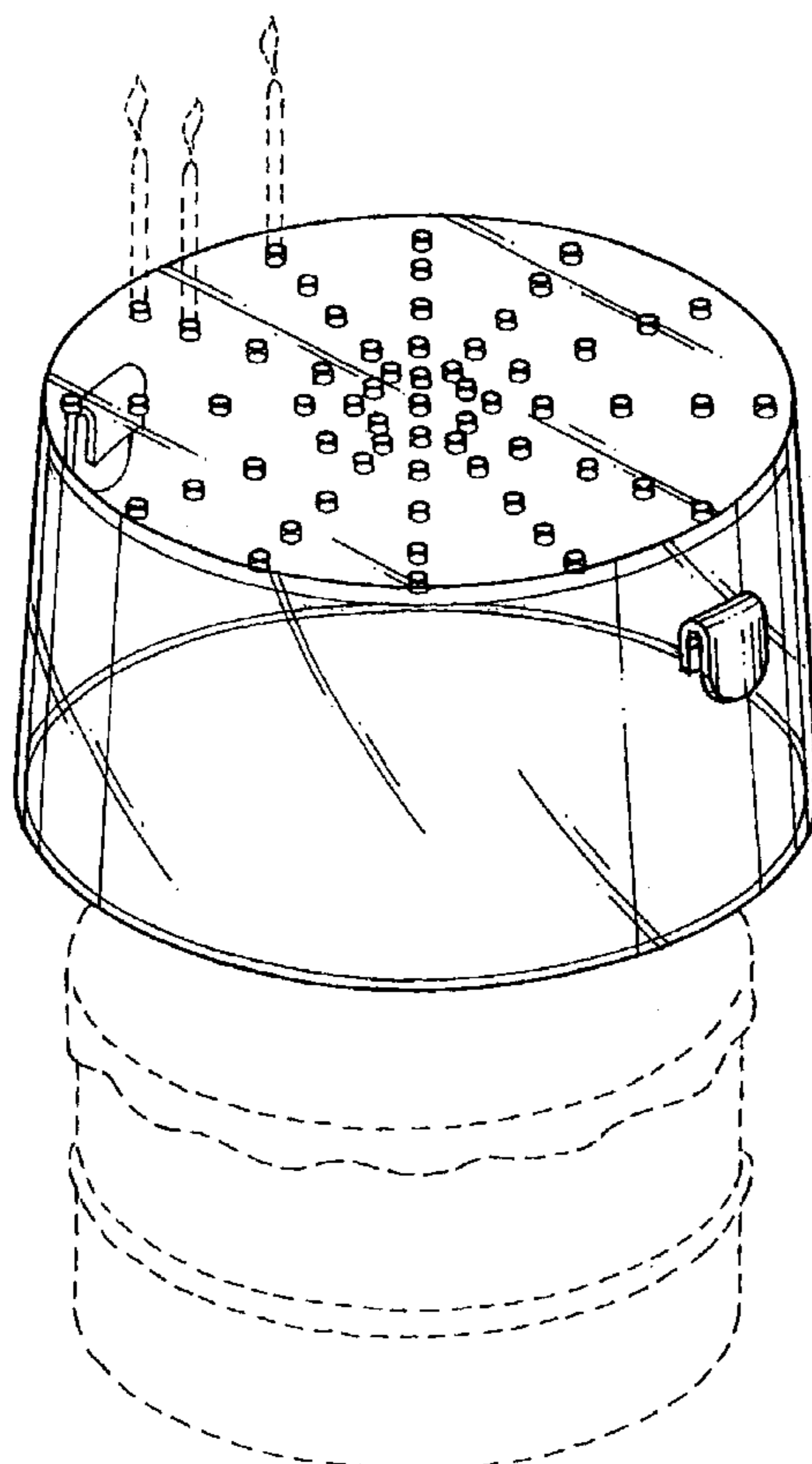
FIG. 2 is a front elevational view thereof, the rear elevational view being identical thereto;

FIG. 3 is a side elevational view thereof, the elevational view of the opposing side being identical thereto;

FIG. 4 is a top plan view thereof; and,

FIG. 5 is a bottom plan view thereof.

1 Claim, 4 Drawing Sheets



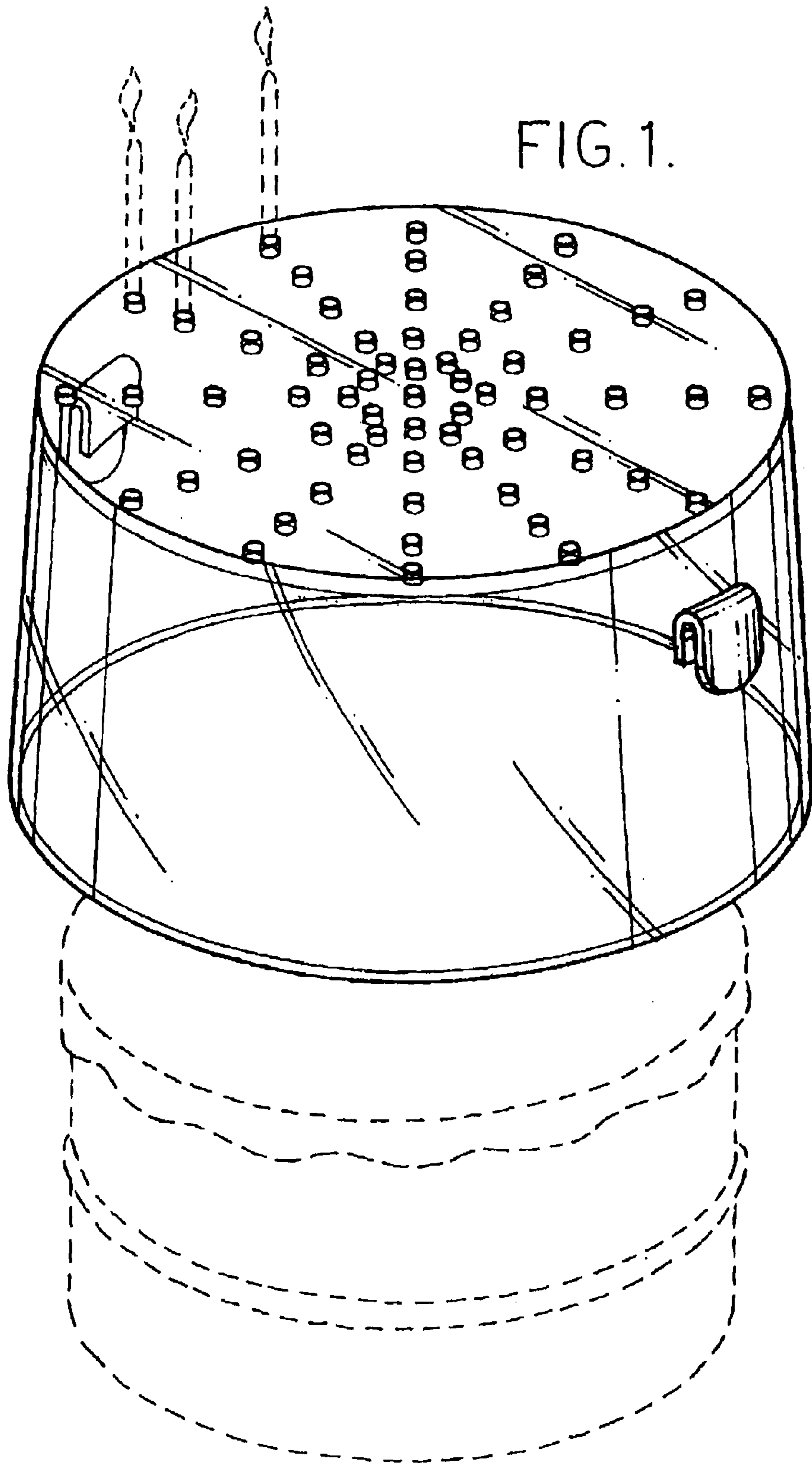


FIG. 1.

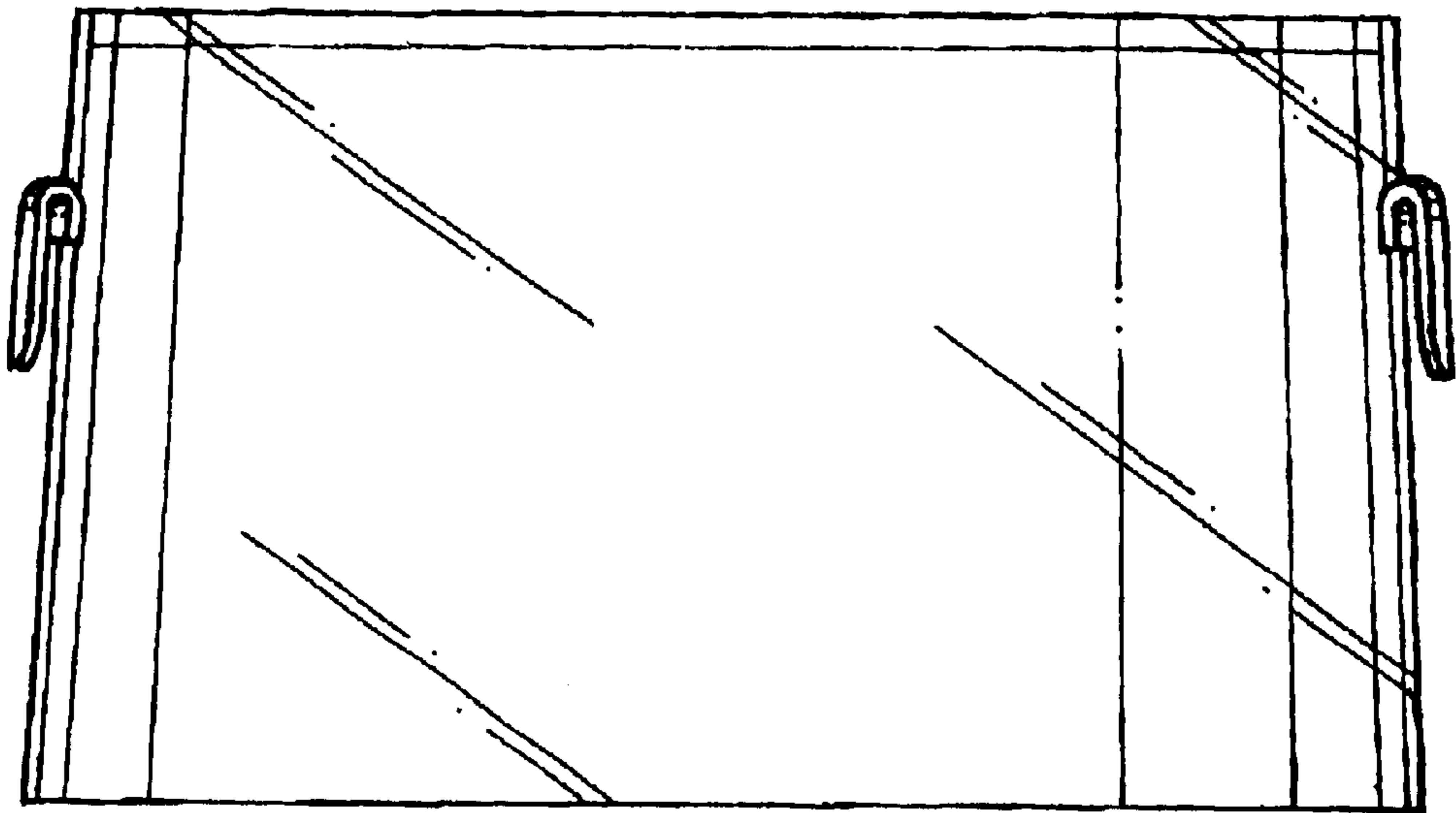


FIG. 2.

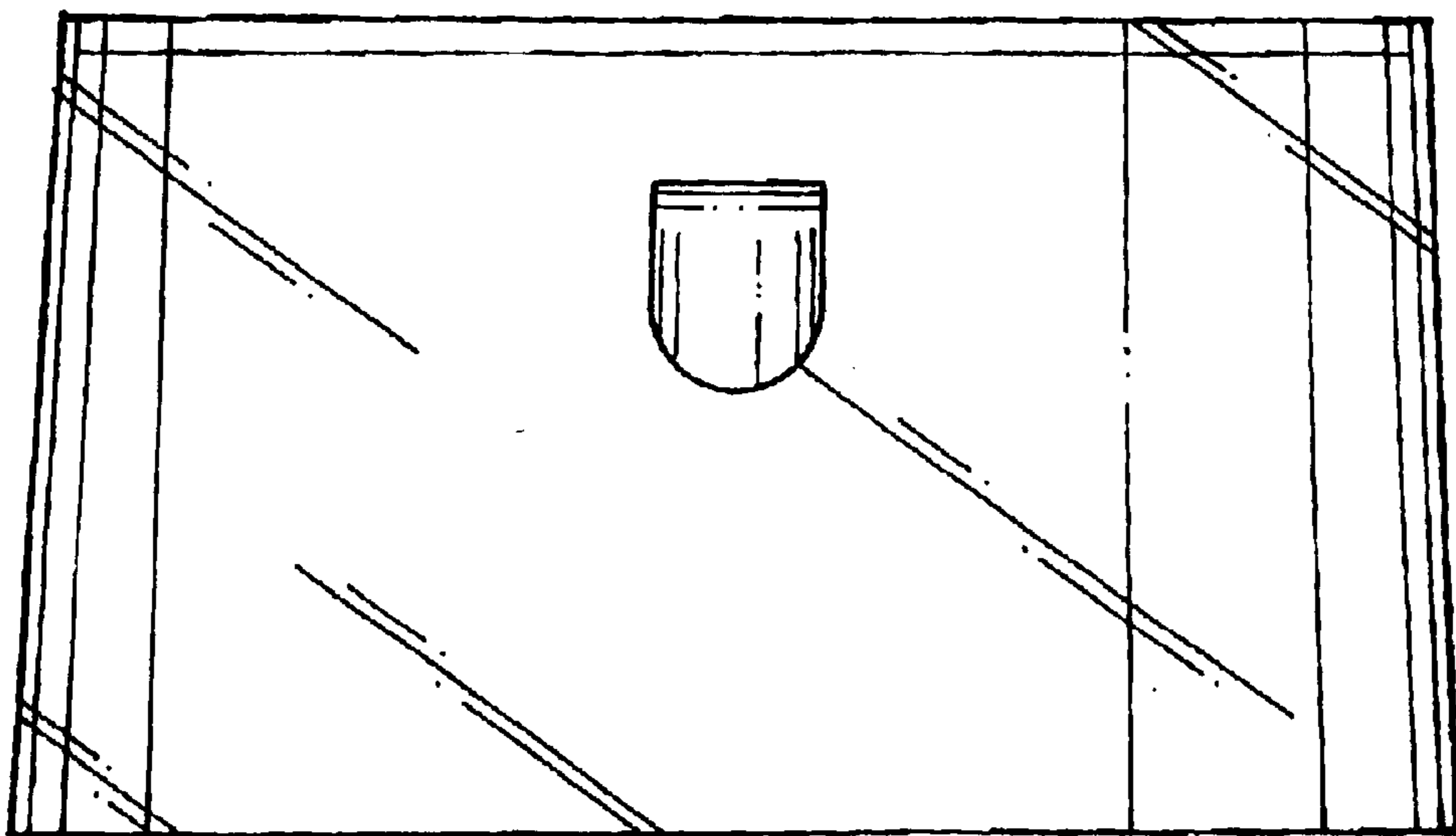


FIG. 3.

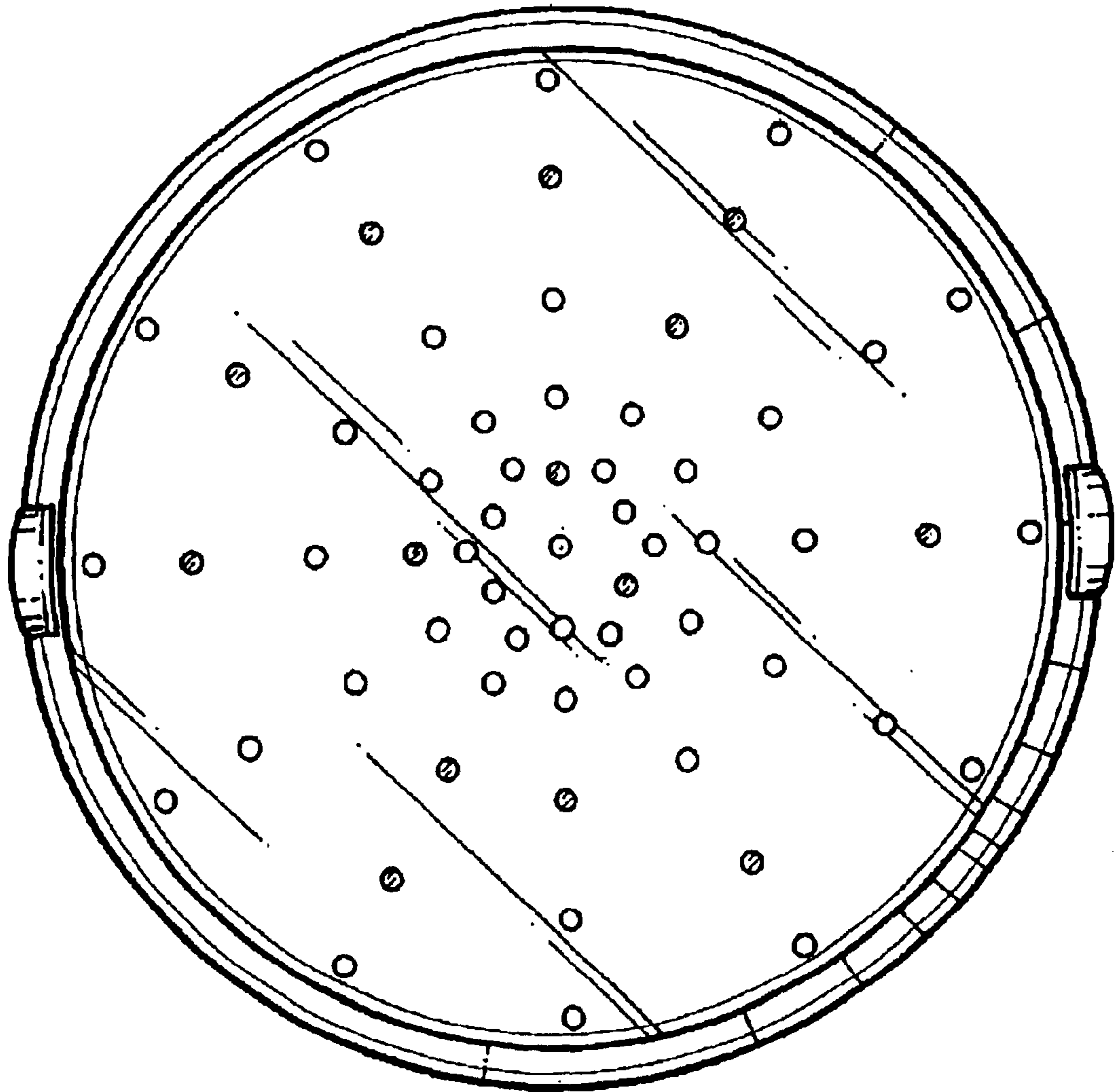


FIG.4.

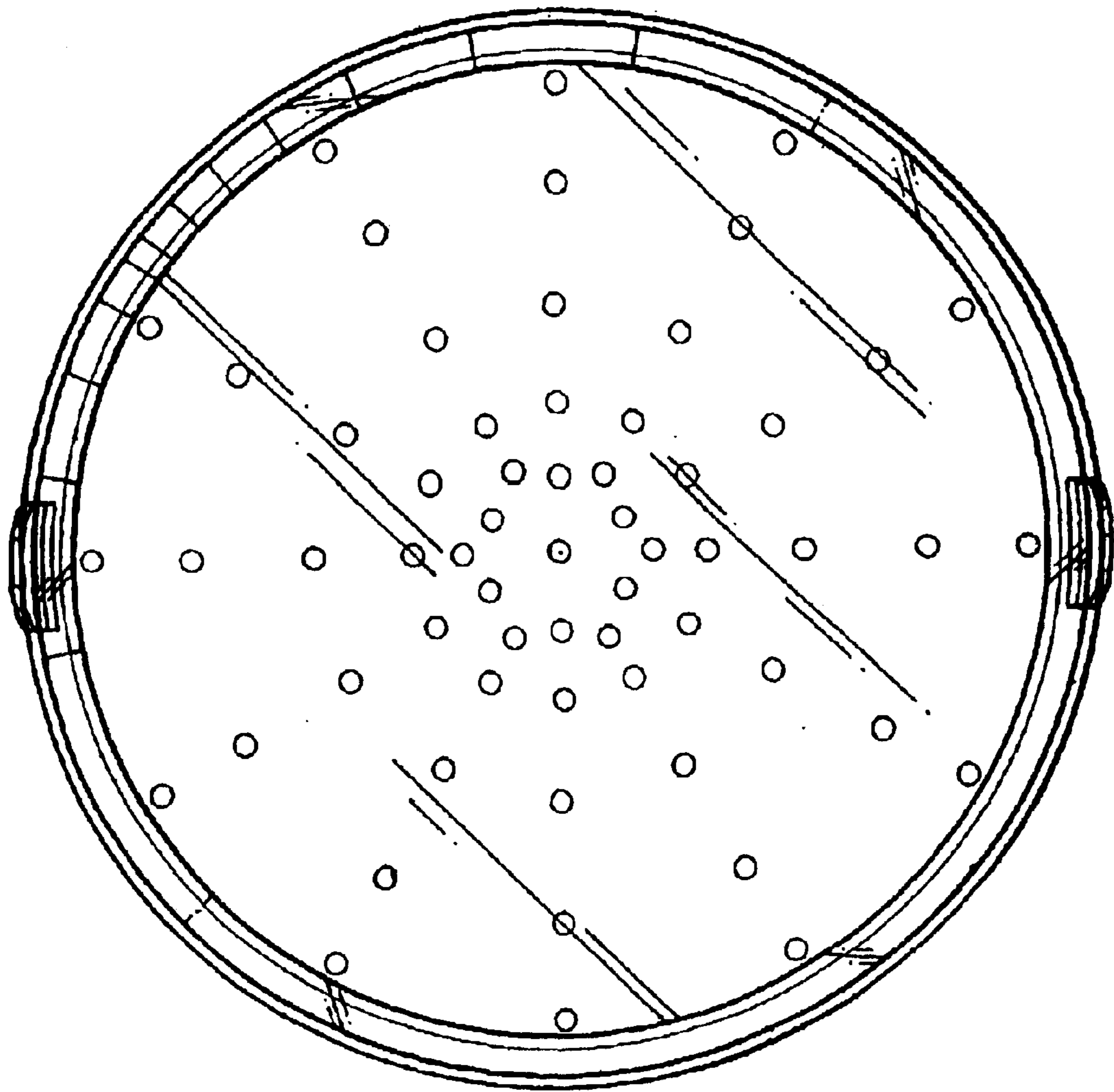


FIG. 5.