



US00D490275S

(12) **United States Design Patent**  
**Moran**

(10) **Patent No.:** **US D490,275 S**

(45) **Date of Patent:** **\*\* May 25, 2004**

(54) **VACUUM FLASK WITH DUAL CUPS AND ARCULATE HANDLE**

(75) Inventor: **Jorge E. Moran**, Nashville, TN (US)

(73) Assignee: **Megatrade International, Inc.**,  
Nashville, TN (US)

(\*\*) Term: **14 Years**

(21) Appl. No.: **29/175,870**

(22) Filed: **Feb. 13, 2003**

(51) **LOC (7) Cl.** ..... **07-01**

(52) **U.S. Cl.** ..... **D7/608**

(58) **Field of Search** ..... D7/605, 608; 62/457.1-457.5,  
62/371, 372; 206/216, 217, 223, 541; 215/6,  
12.1, 12.2, 13.1, 396, 398; 220/592.16,  
592.17, 592.22, 592.23, 592.27

(56) **References Cited**

**U.S. PATENT DOCUMENTS**

- 3,327,881 A \* 6/1967 Maier ..... 215/6
- 4,792,994 A \* 12/1988 Aylward ..... 62/457.1
- 4,932,225 A \* 6/1990 Bighouse ..... 62/457.4
- D377,435 S \* 1/1997 Dettmar et al. .... D7/608

D395,203 S \* 6/1998 Moran ..... D7/608

D411,716 S \* 6/1999 Besser et al. .... D7/608

D411,717 S \* 6/1999 Moran ..... D7/608

D418,374 S \* 1/2000 McNamee et al. .... D7/608

D432,366 S \* 10/2000 Worsley et al. .... D7/608

\* cited by examiner

*Primary Examiner*—Terry A. Wallace

(74) *Attorney, Agent, or Firm*—Hunton & Williams LLP

(57) **CLAIM**

The ornamental design for a vacuum flask with dual cups and arcuate handle, as shown and described.

**DESCRIPTION**

FIG. 1 is a front elevational view of the vacuum flask with dual cups and arcuate handle showing my new design;

FIG. 2 is a first side elevational view thereof;

FIG. 3 is a rear elevational view thereof;

FIG. 4 is a second side elevational view thereof;

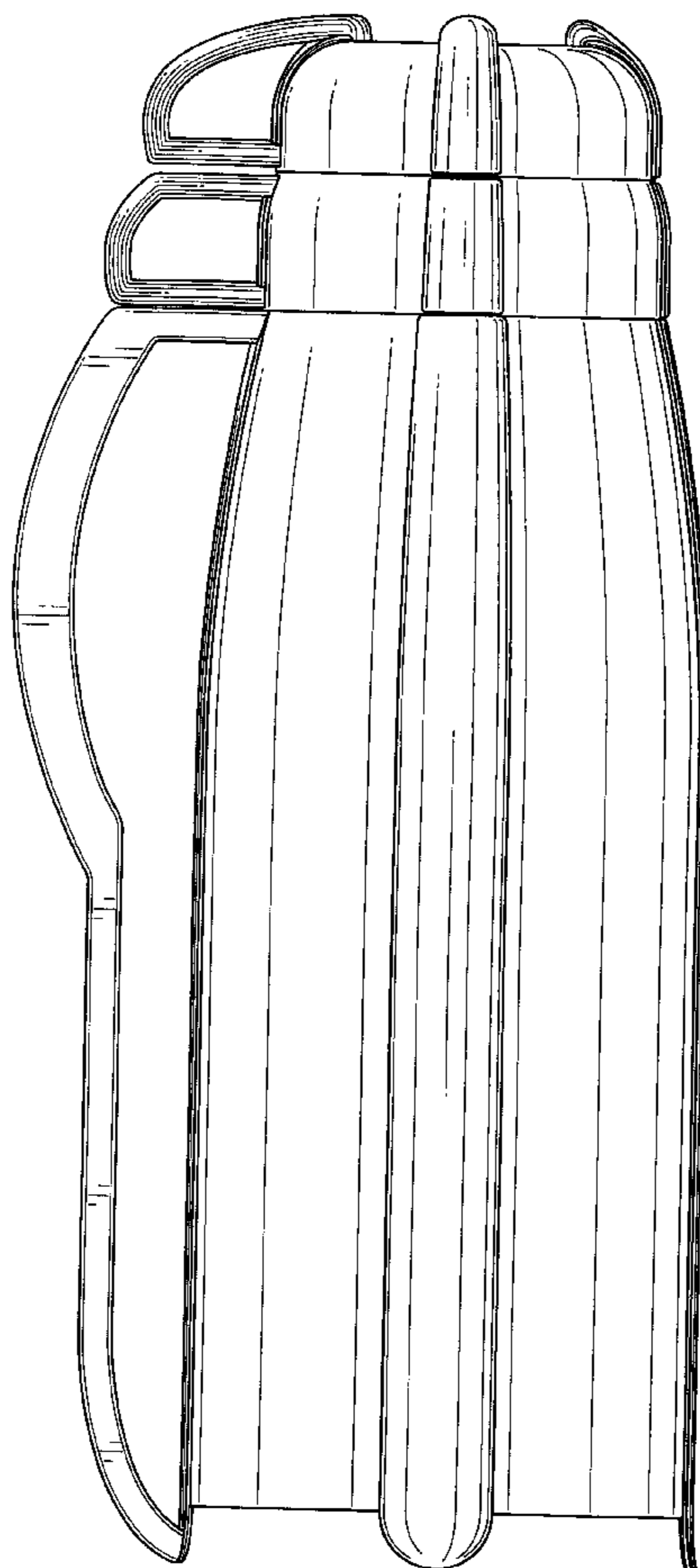
FIG. 5 is an exploded side elevational view thereof;

FIG. 6 is a top plan view thereof;

FIG. 7 is a top plan view thereof with the dual cups removed; and,

FIG. 8 is a bottom plan view thereof.

**1 Claim, 8 Drawing Sheets**



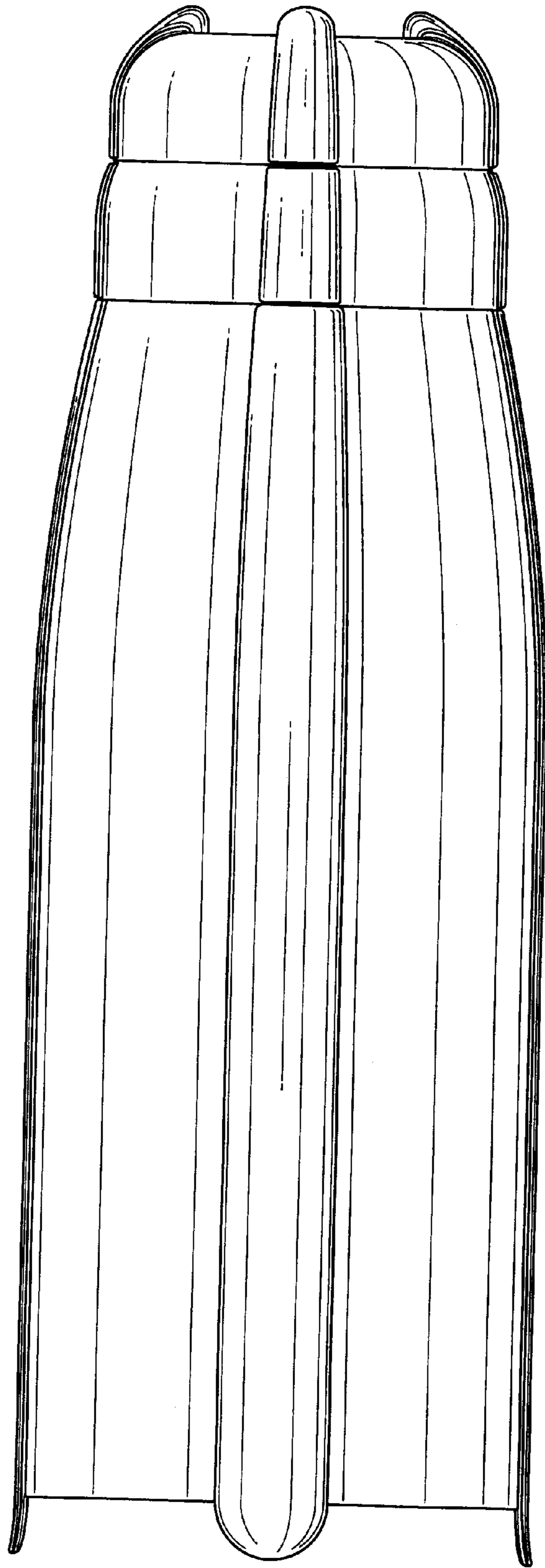


FIG. 1

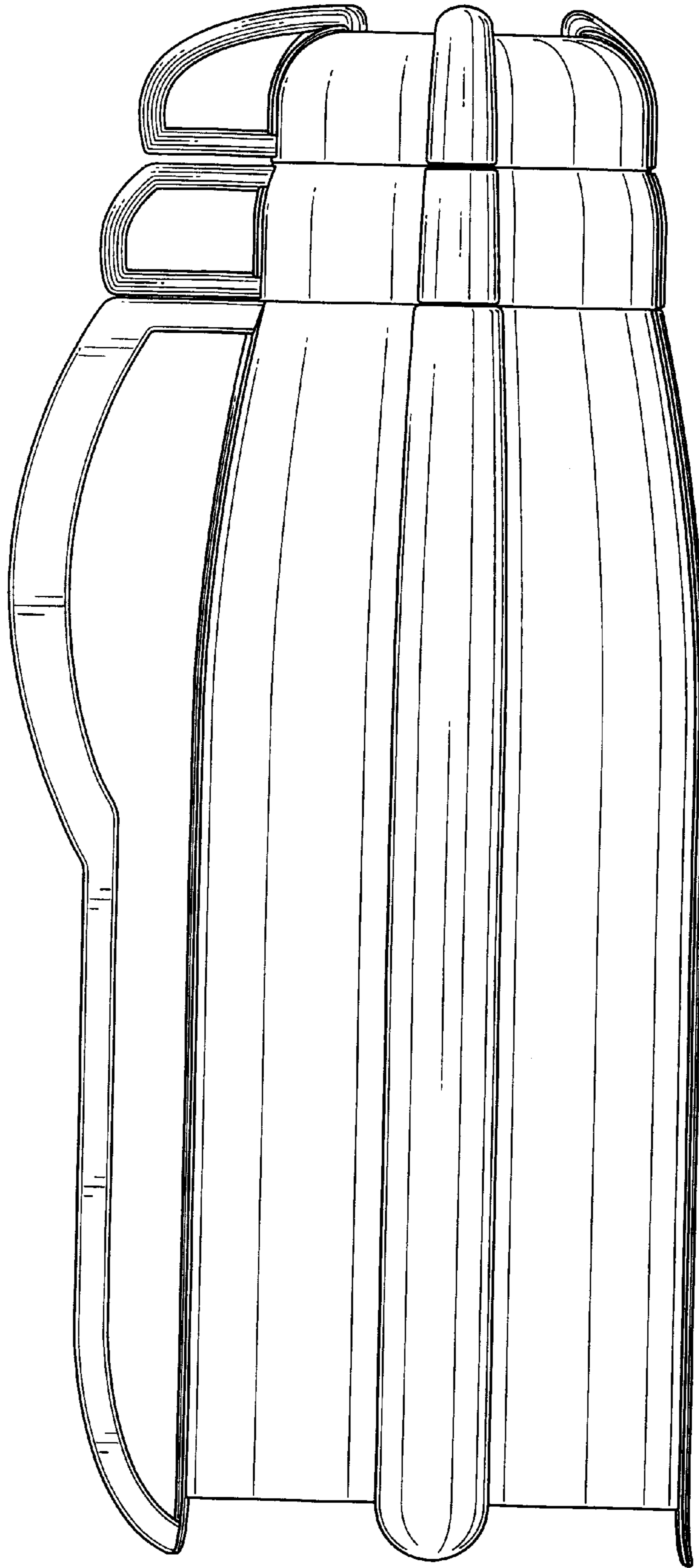


FIG. 2

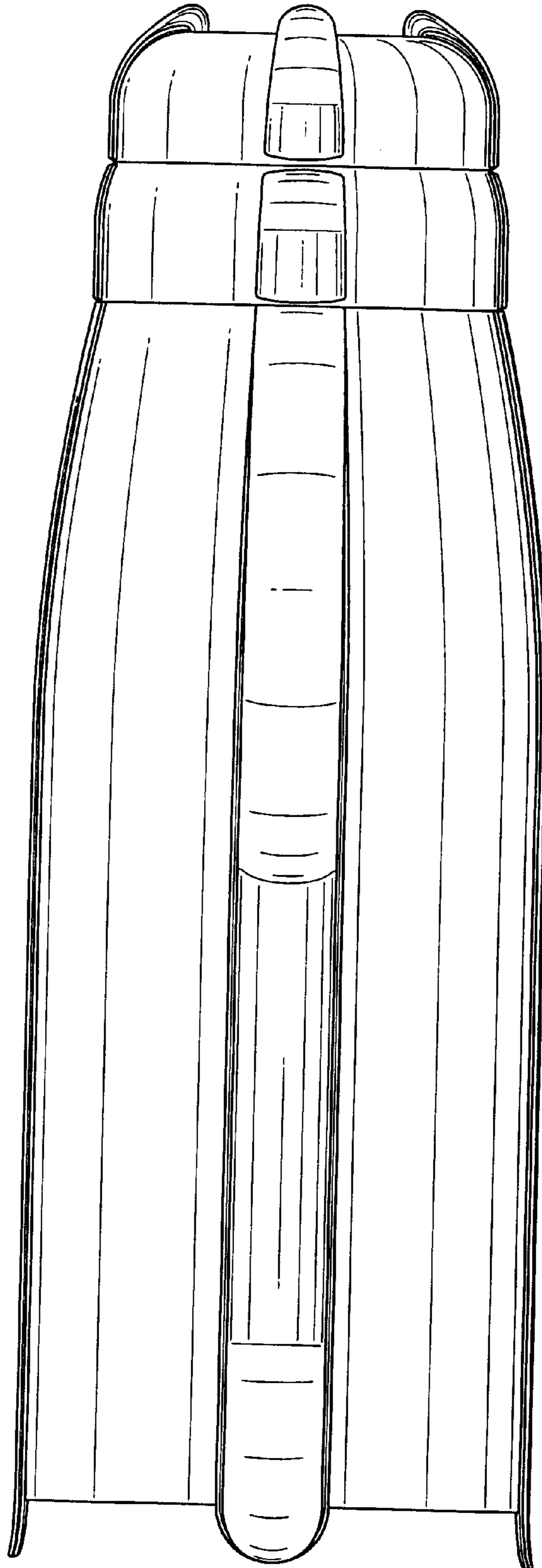


FIG. 3

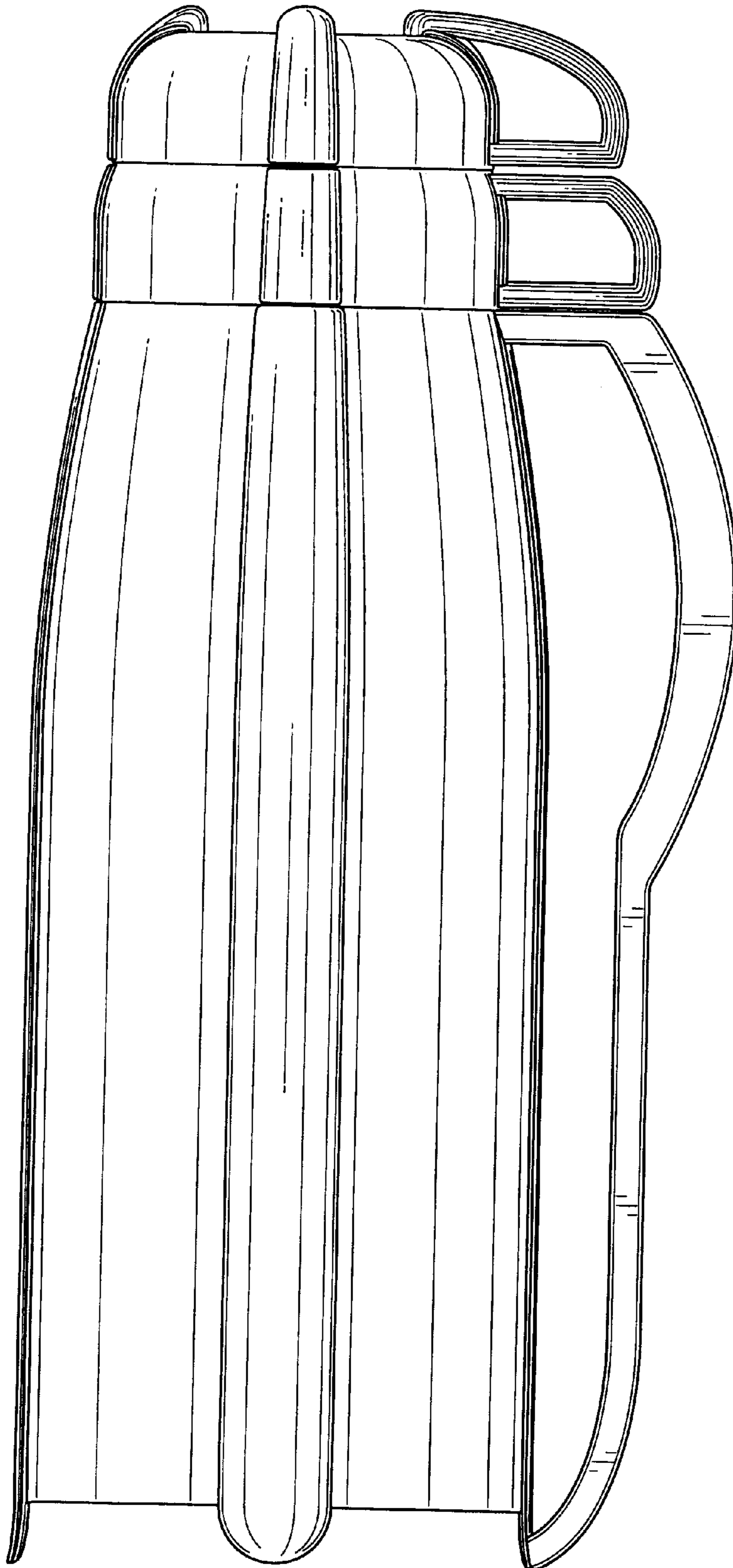


FIG. 4

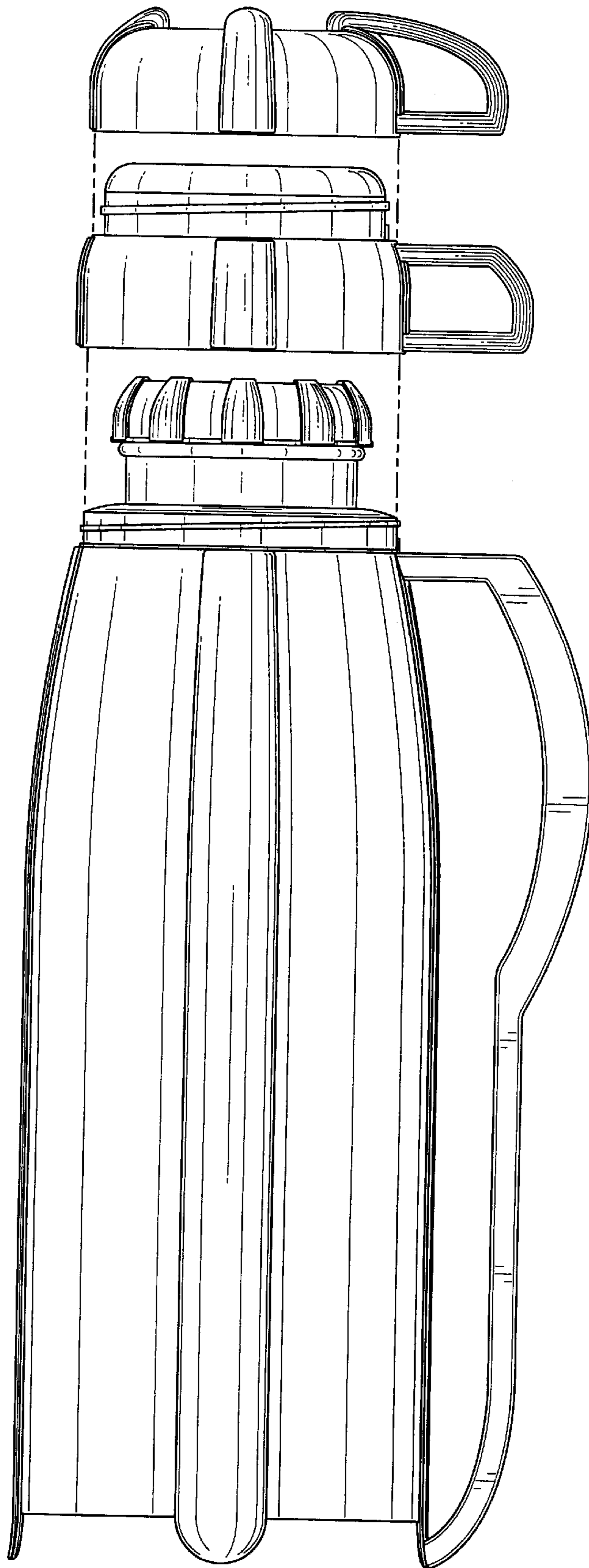


FIG. 5



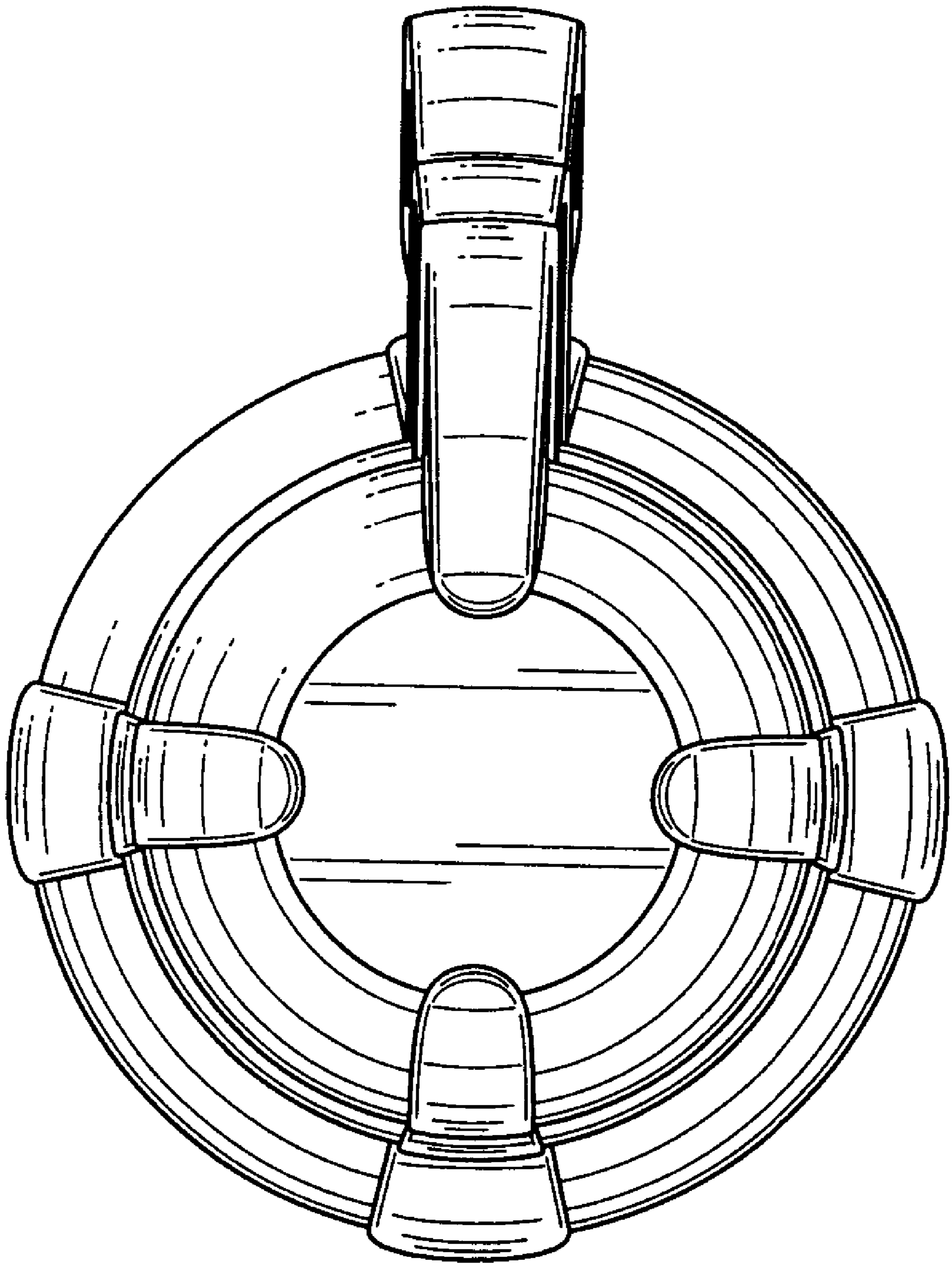


FIG. 6

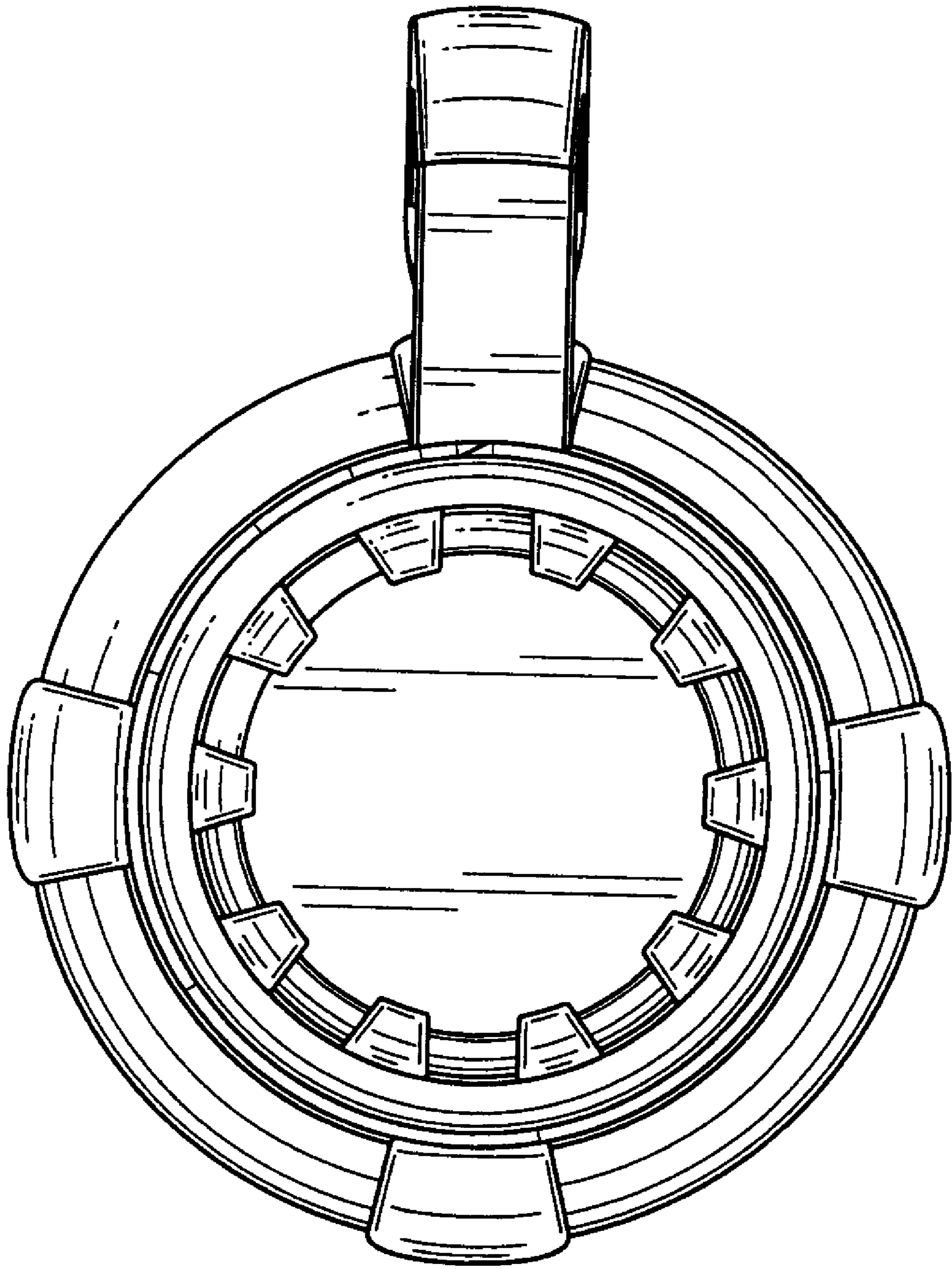


FIG. 7



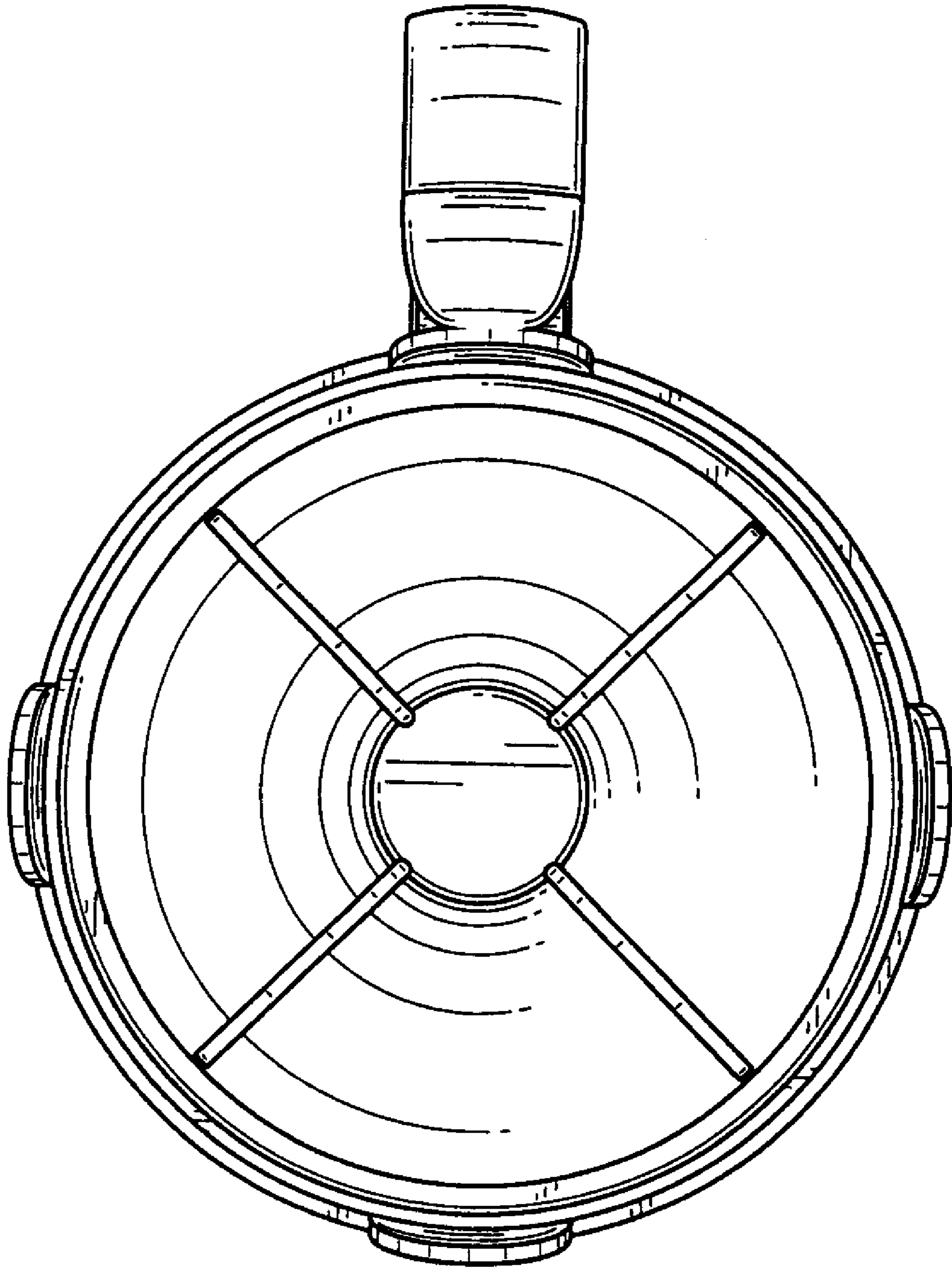


FIG. 8