



US00D490272S

(12) **United States Design Patent**  
**Rohe**

(10) **Patent No.:** **US D490,272 S**

(45) **Date of Patent:** **\*\* May 25, 2004**

(54) **TRAVEL MUG**

(76) **Inventor:** **Jeff Rohe**, 1159 Ty Dr., Medina, OH  
(US) 44256

(\*\*) **Term:** **14 Years**

(21) **Appl. No.:** **29/169,645**

(22) **Filed:** **Oct. 24, 2002**

(51) **LOC (7) Cl.** ..... **07-01**

(52) **U.S. Cl.** ..... **D7/510; D7/511; D7/523**

(58) **Field of Search** ..... **D7/510, 511, 523,**  
**D7/509, 507; 220/705, 710, 603, 714, 715;**  
**215/388; 222/568, 129; D9/556, 453; 206/217,**  
**541**

(56) **References Cited**

**U.S. PATENT DOCUMENTS**

D96,737 S	*	9/1935	Funfrock	.....	D7/523
D290,323 S	*	6/1987	Weernink	.....	D7/511
D322,218 S	*	12/1991	Lynd	.....	D9/556
D365,247 S	*	12/1995	Sokolski et al.	.....	D7/511
5,588,561 A	*	12/1996	Ness	.....	222/129
D377,293 S	*	1/1997	Husted	.....	D7/510
D399,392 S	*	10/1998	Husted	.....	D7/511
D433,599 S	*	11/2000	Kristiansen et al.	.....	D7/523
D442,029 S	*	5/2001	Otake	.....	D7/510
D453,446 S	*	2/2002	Bodum	.....	D7/510
D457,035 S	*	5/2002	Hurlbut	.....	D7/510
D458,081 S	*	6/2002	Bodum	.....	D7/510
D460,894 S	*	7/2002	Ziegenfus et al.	.....	D7/523
D462,236 S	*	9/2002	Hurlbut	.....	D7/510

D462,576 S	*	9/2002	Janky	.....	D7/510
D469,309 S	*	1/2003	Janky	.....	D7/510
D475,891 S	*	6/2003	Bin	.....	D7/510
D476,193 S	*	6/2003	Janky	.....	D7/510
D477,185 S	*	7/2003	Janky	.....	D7/511
D478,779 S	*	8/2003	Stamper, III et al.	.....	D7/510
D480,268 S	*	10/2003	Laib	.....	D7/510

\* cited by examiner

*Primary Examiner*—M. N. Pandozzi

(74) *Attorney, Agent, or Firm*—Hahn Loeser & Parks LLP;  
W. Edward Crooks, Esq.

(57) **CLAIM**

The ornamental design for a travel mug, as shown and described.

**DESCRIPTION**

FIG. 1 is a perspective view of an embodiment of a travel mug;

FIG. 2 is a back view of the embodiment of FIG. 1;

FIG. 3 is a front view of the embodiment of FIG. 1;

FIG. 4 is a left side view of the embodiment of FIG. 1;

FIG. 5 is a top view of the embodiment of FIG. 1;

FIG. 6 is a bottom view of the embodiment of FIG. 1;

FIG. 7 is a perspective view of a second embodiment;

FIG. 8 is a back view of the embodiment of FIG. 7;

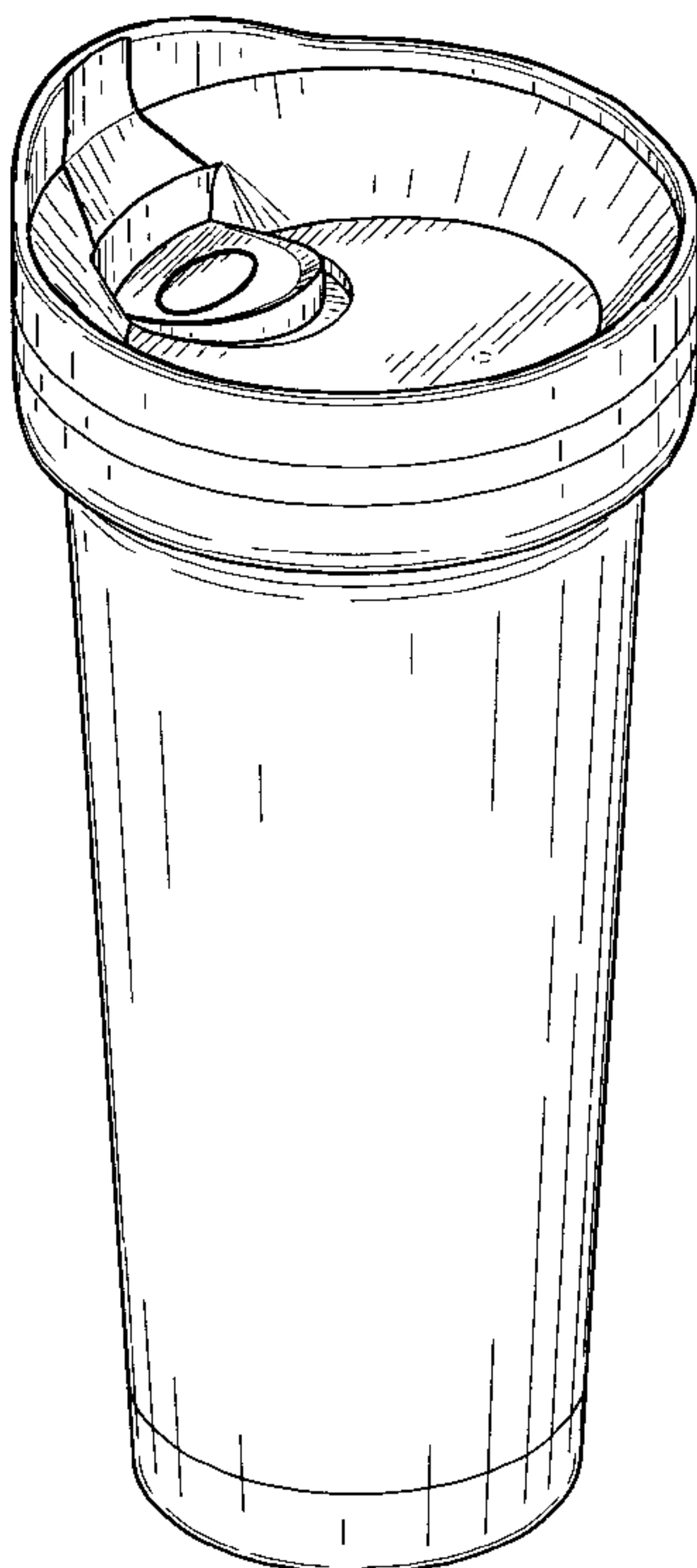
FIG. 9 is a front view of the embodiment of FIG. 7;

FIG. 10 is a left side view of the embodiment of FIG. 7;

FIG. 11 is a top view of the embodiment of FIG. 7; and,

FIG. 12 is a bottom view of the embodiment of FIG. 7.

**1 Claim, 4 Drawing Sheets**



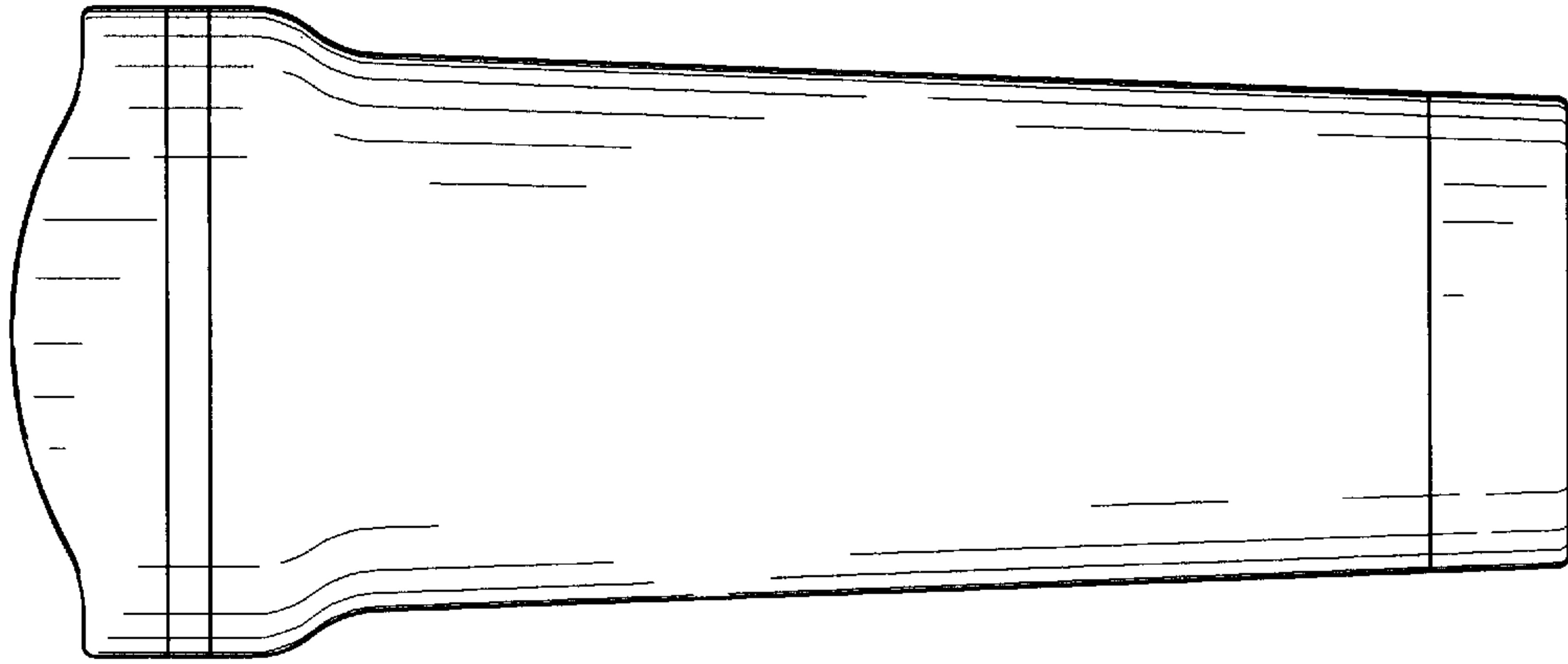


Figure 3

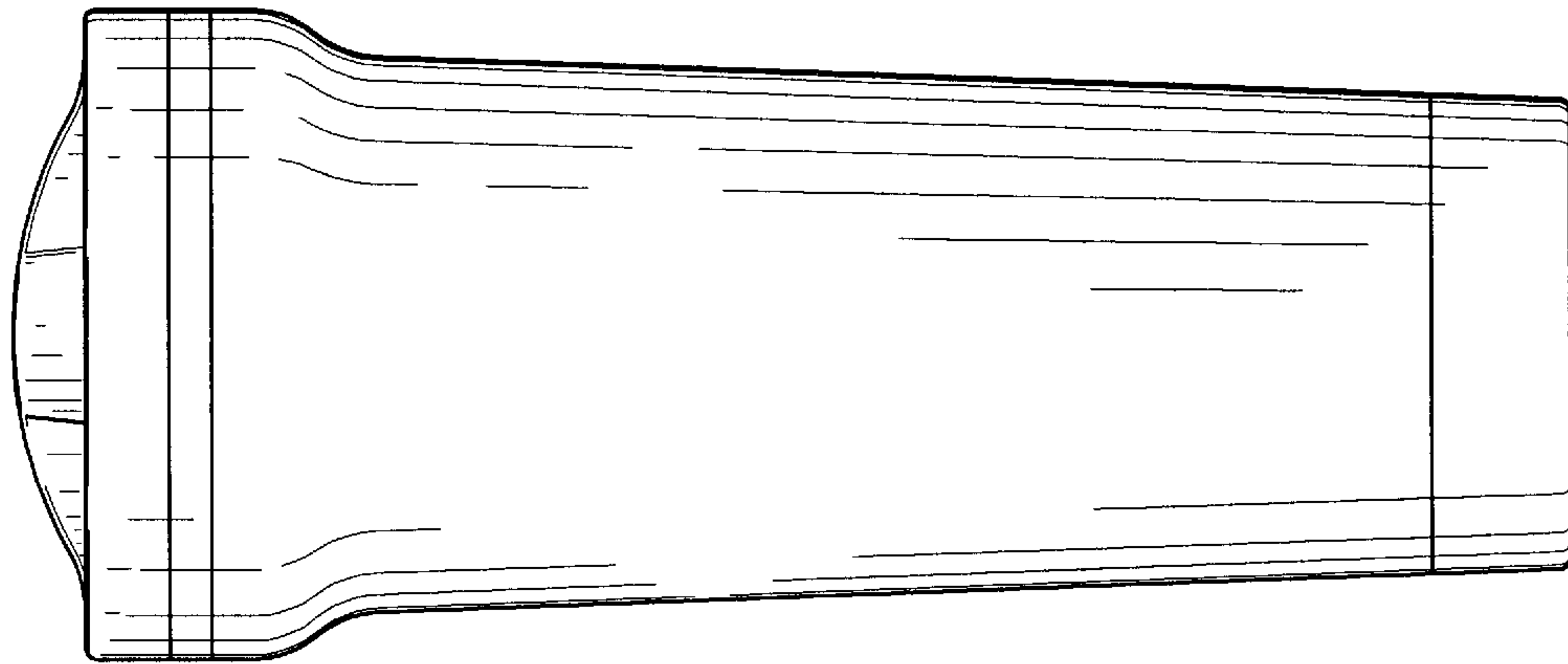


Figure 2

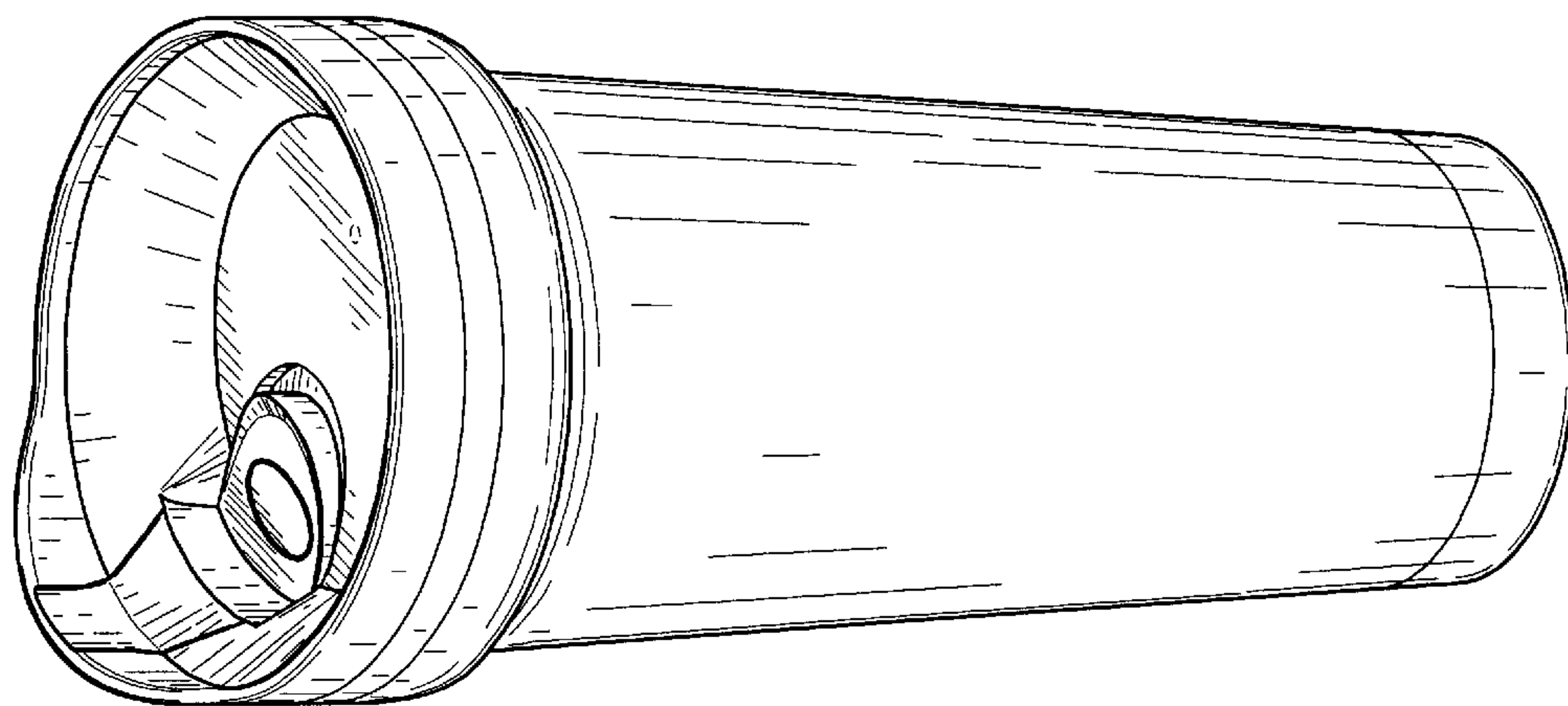


Figure 1

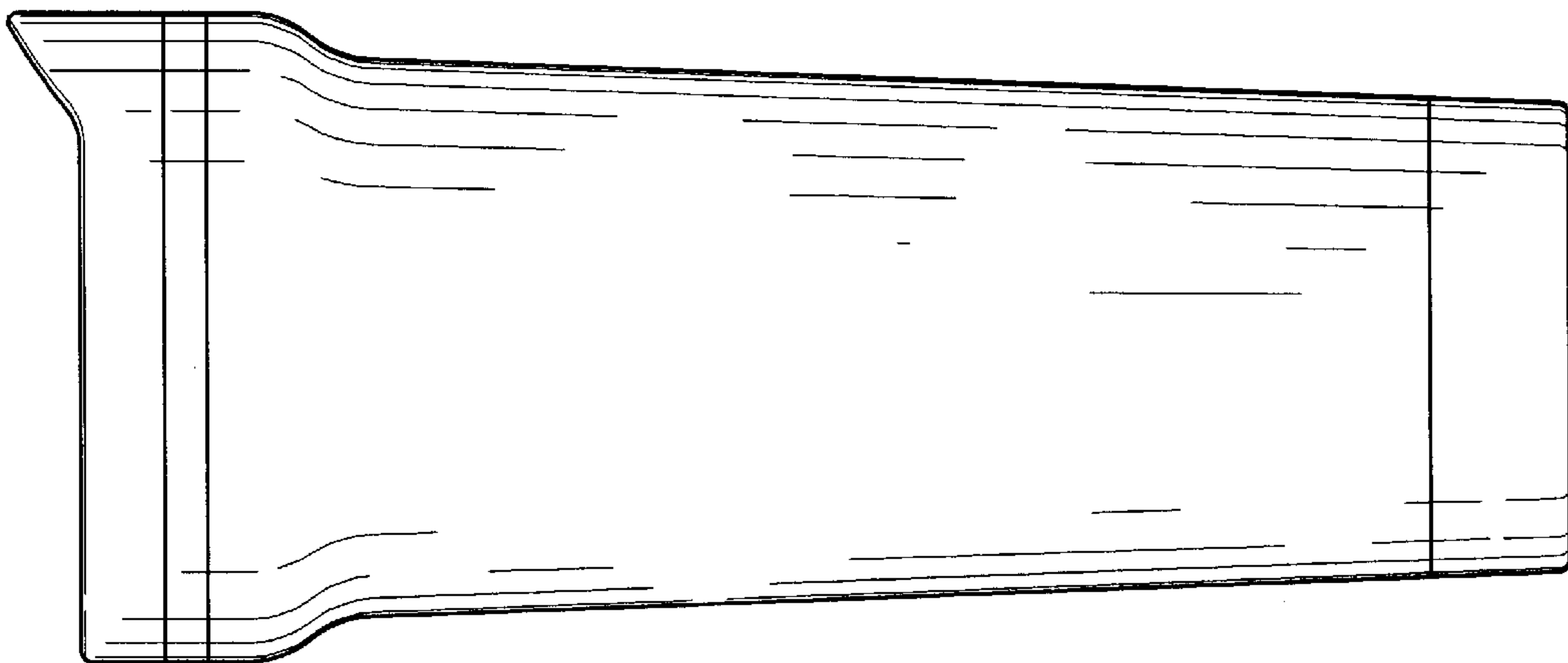


Figure 4

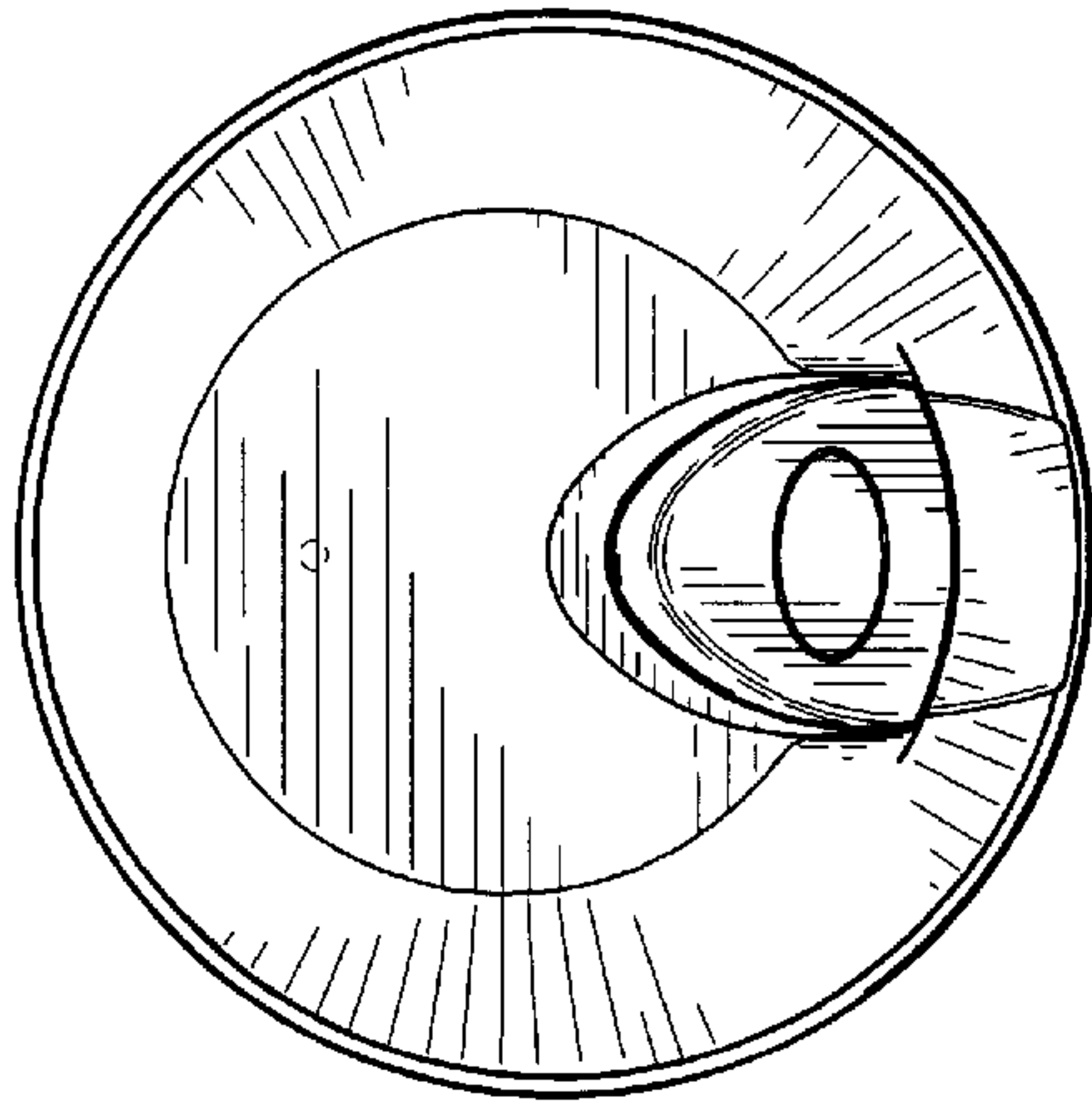


Figure 5

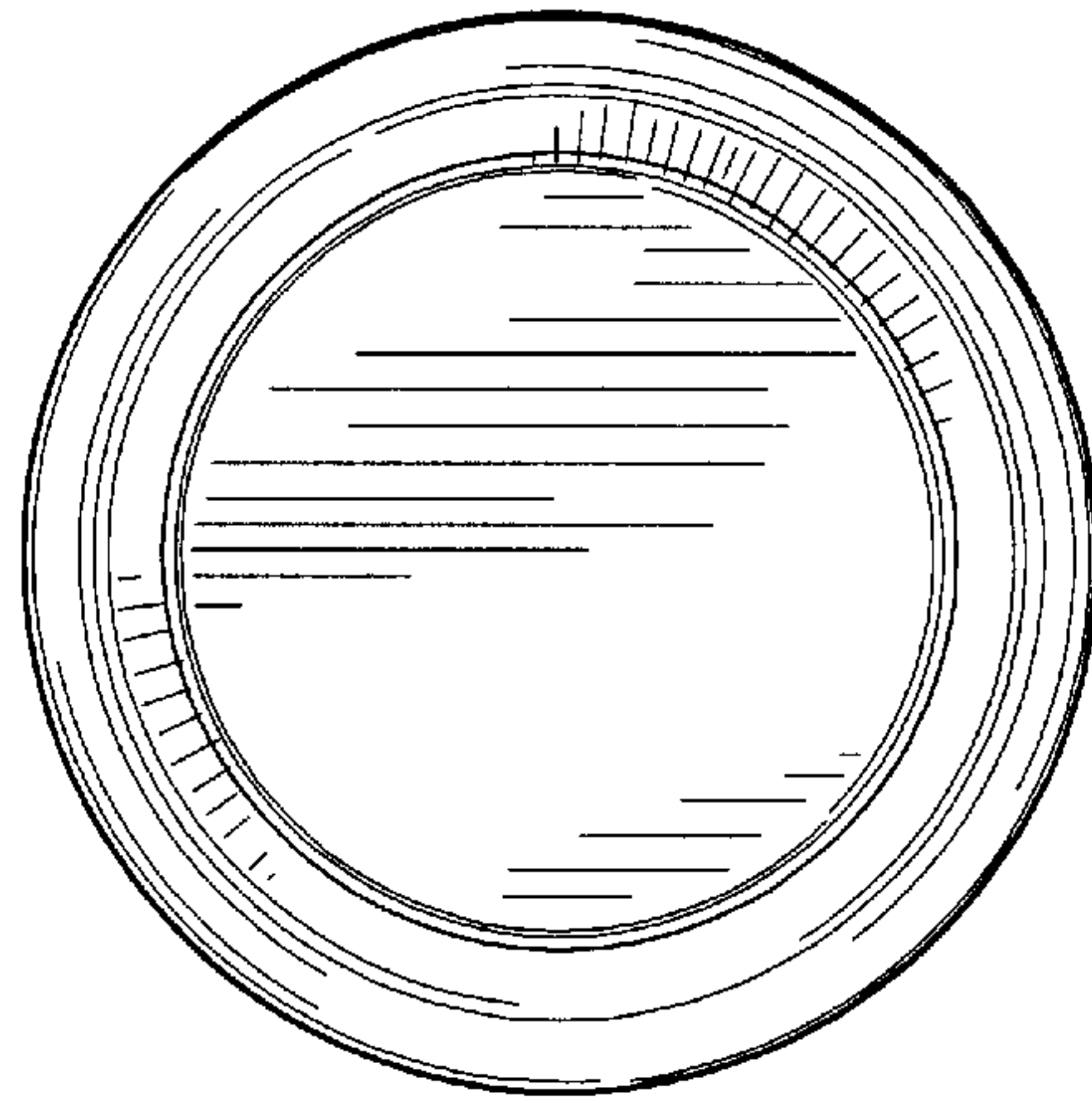


Figure 6

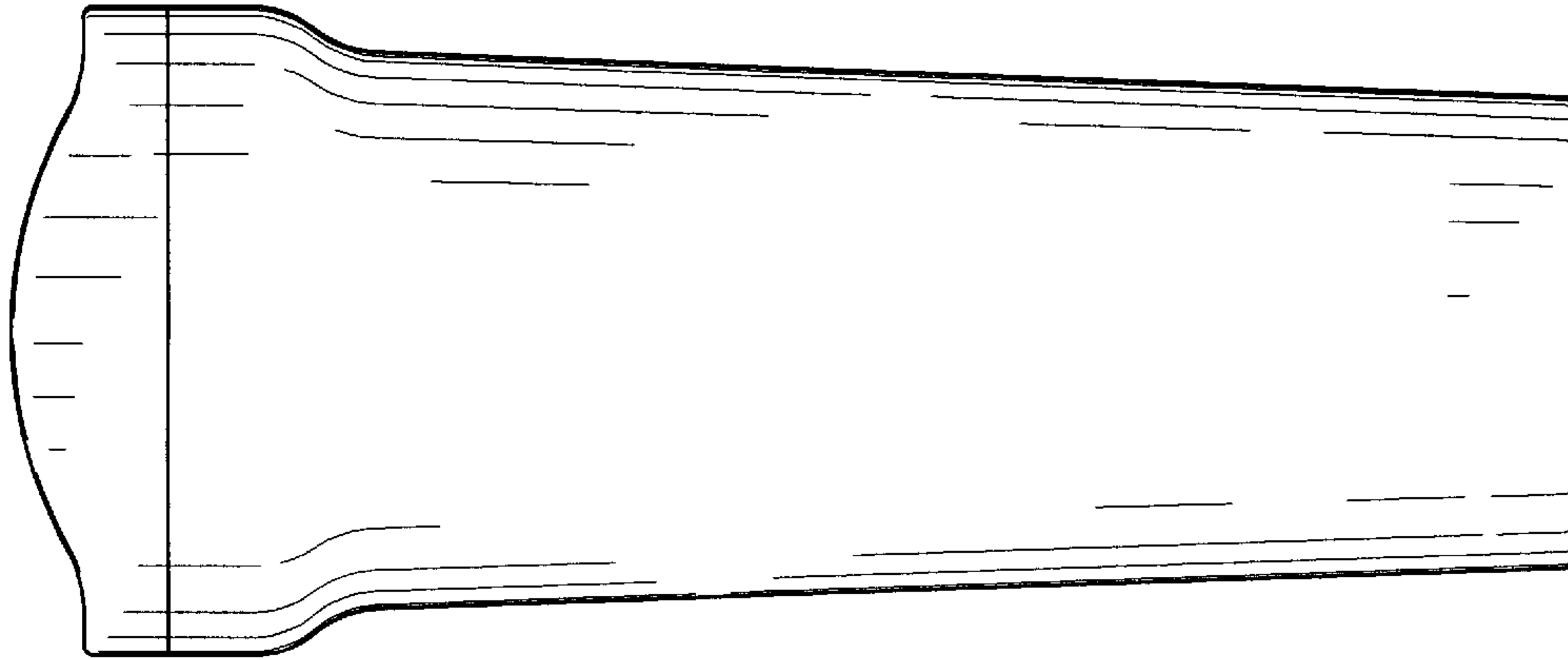


Figure 9

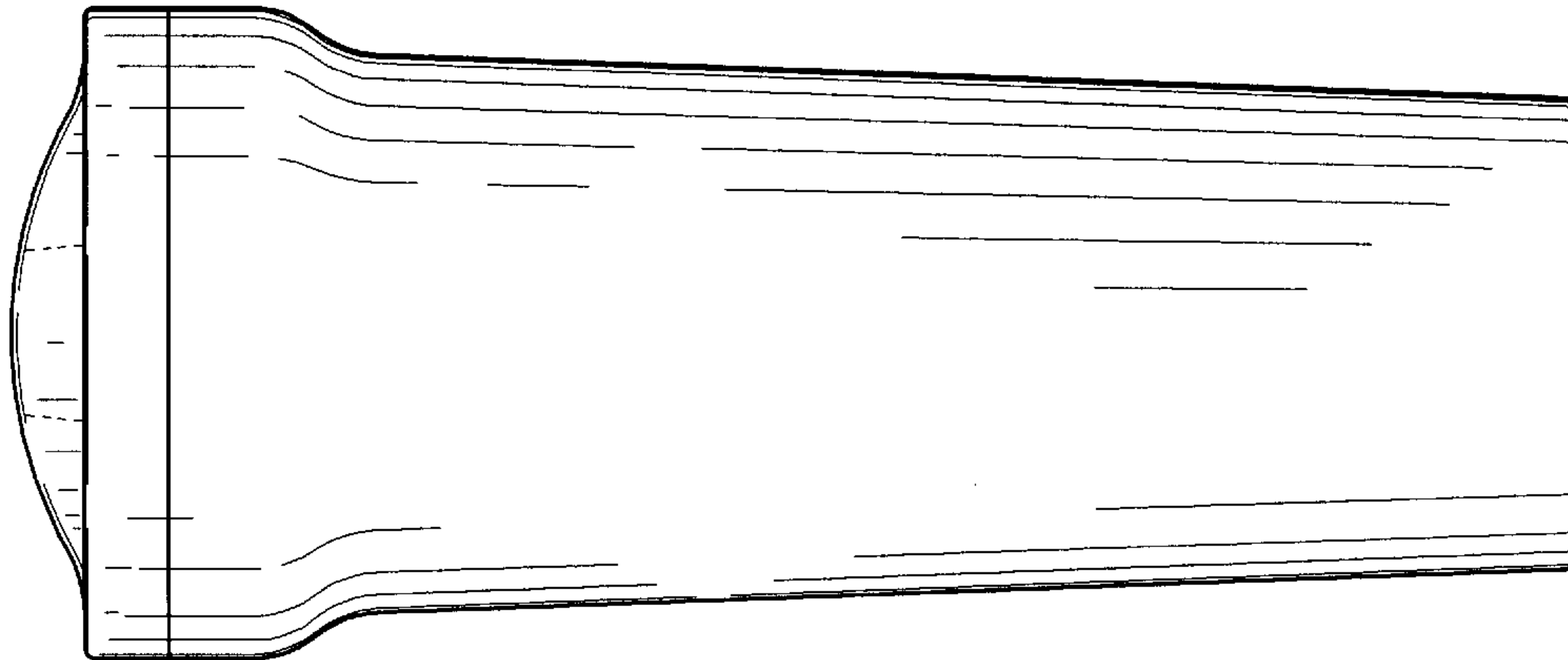


Figure 8

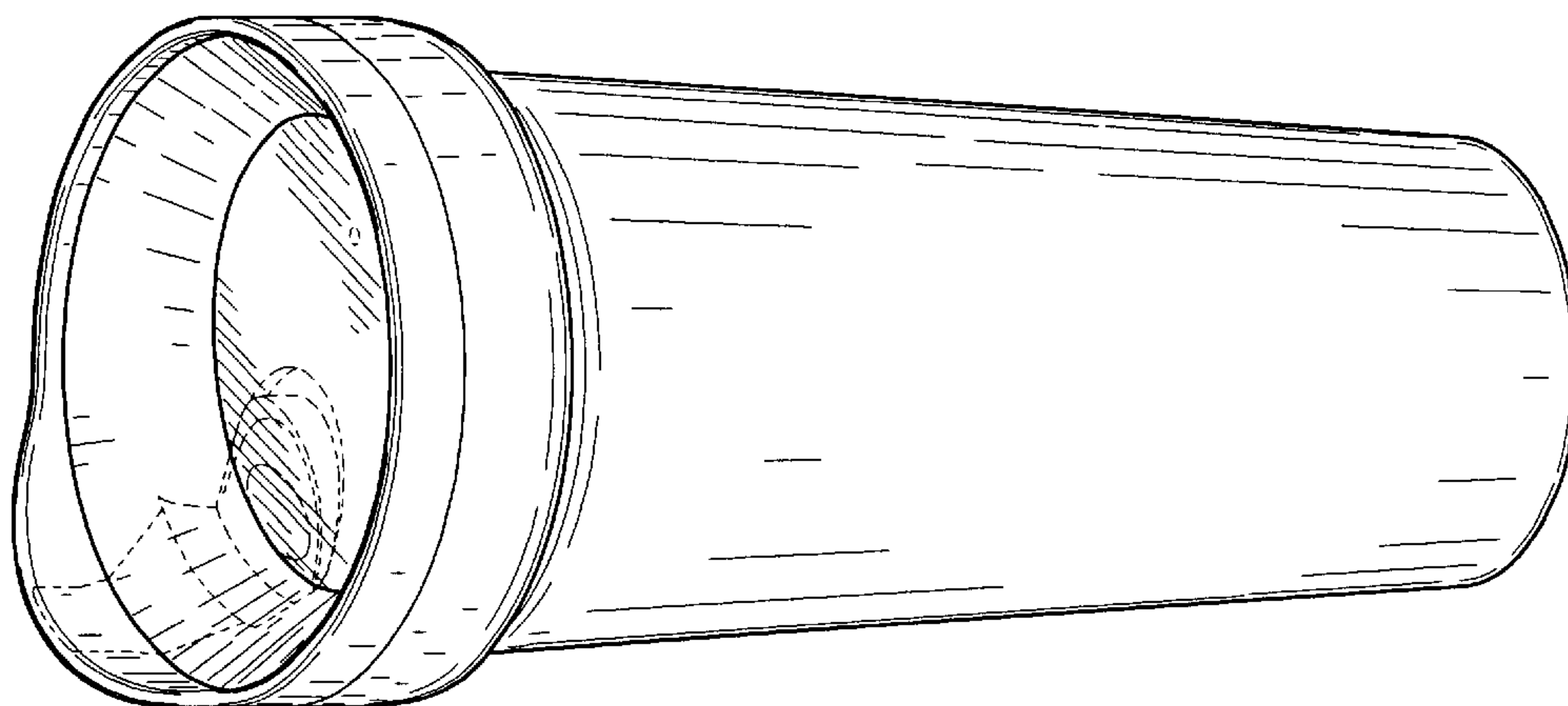


Figure 7

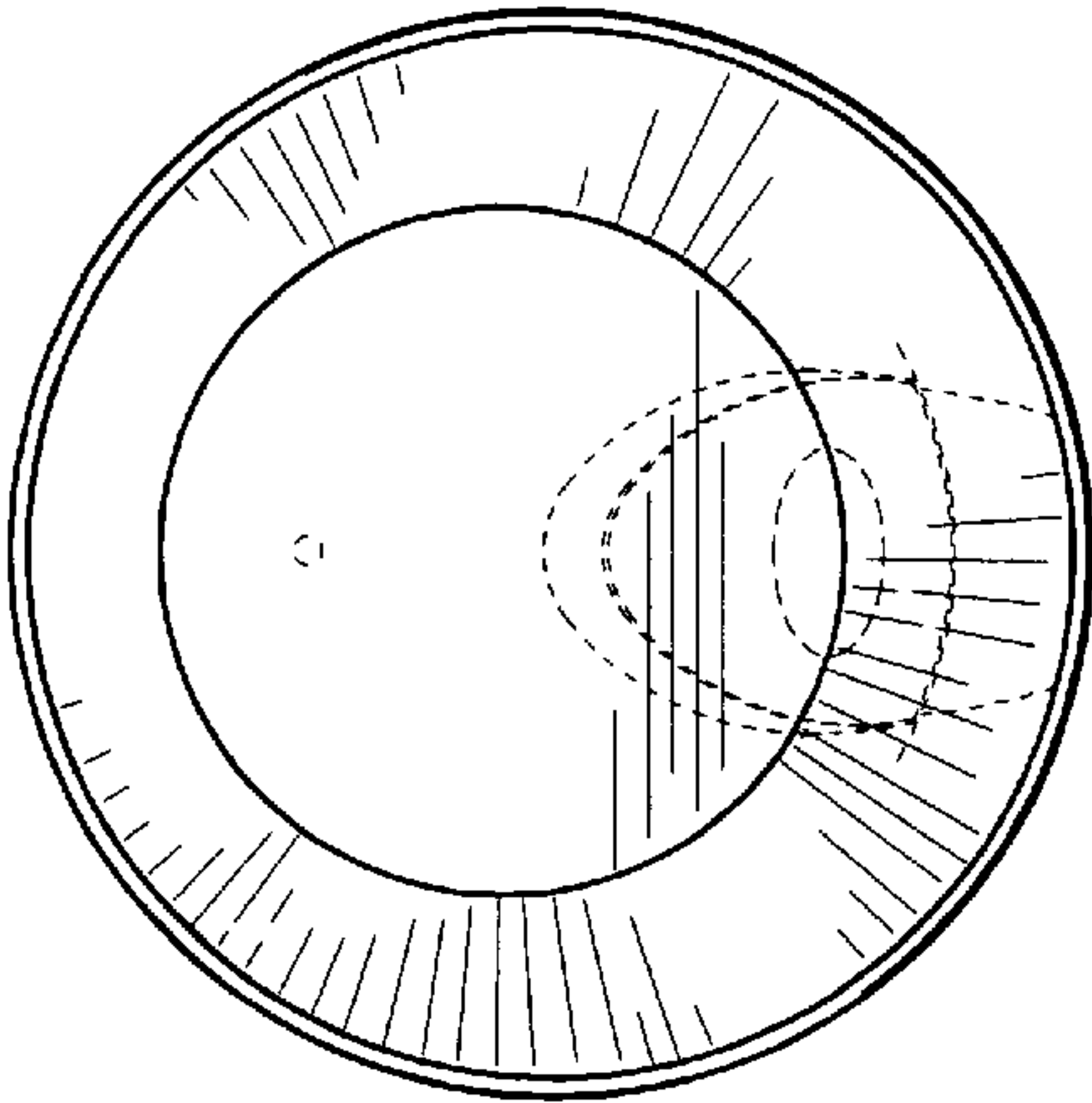


Figure 11

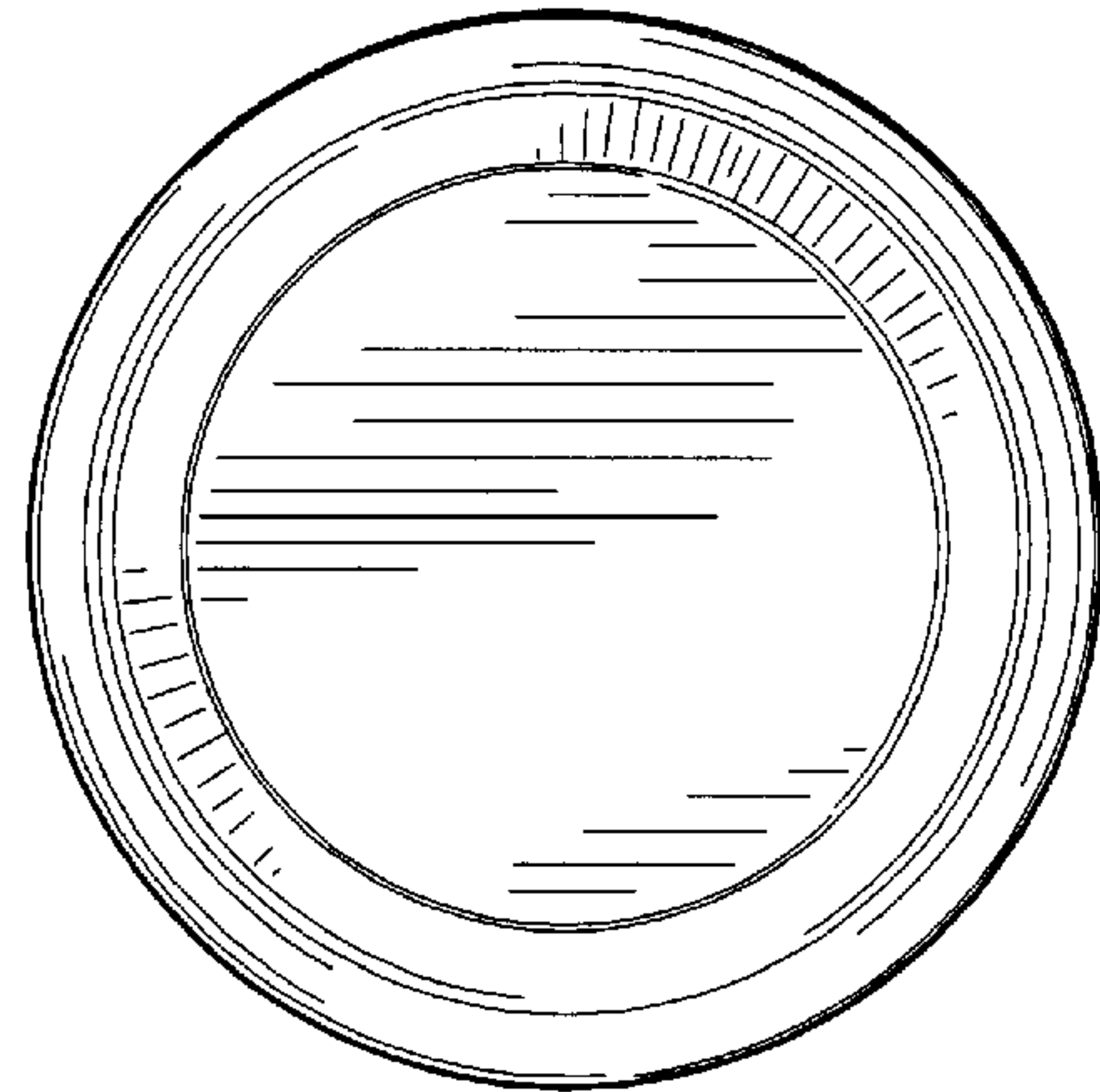


Figure 12

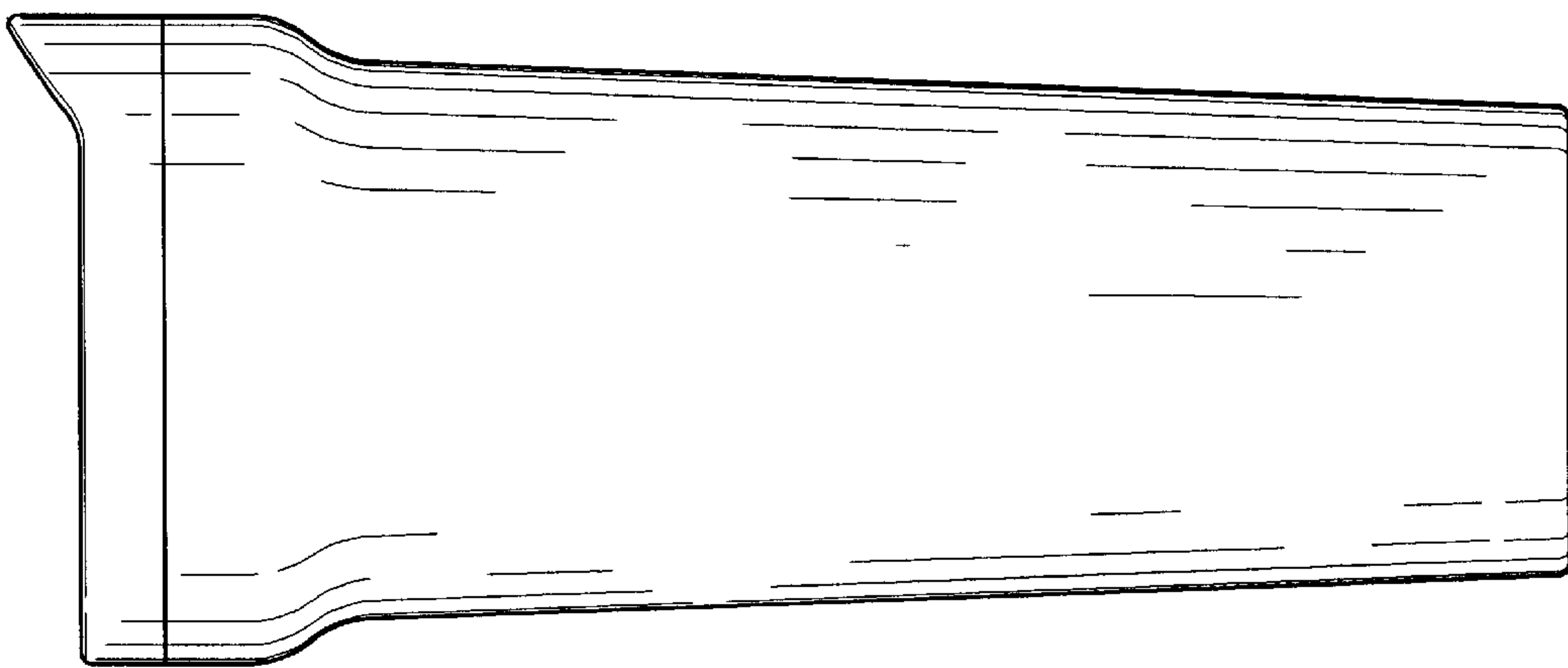


Figure 10