



US00D490271S

(12) **United States Design Patent**
Short et al.

(10) **Patent No.: US D490,271 S**

(45) **Date of Patent: ** May 25, 2004**

(54) **MIXER CONTROL INTERFACE**

(75) Inventors: **Ellis Gale Short**, Sidney, OH (US);
Joseph C. Huang, Dayton, OH (US);
Brian R. Kadel, Dayton, OH (US);
John Christopher Baron, Troy, OH (US);
Howard A. Hartley, Jr., Brookville, OH (US);
Phillip Lee Brookshire, Cincinnati, OH (US);
Joshua J. Haldeman, Cincinnati, OH (US)

(73) Assignee: **Premark FEG L.L.C.**, Wilmington, DE (US)

(**) Term: **14 Years**

(21) Appl. No.: **29/173,285**

(22) Filed: **Dec. 23, 2002**

(51) **LOC (7) Cl. 31-00**

(52) **U.S. Cl. D7/412**

(58) **Field of Search D7/376-386, 412-415;**
366/197-207, 219-221, 241-254, 349

(56) **References Cited**

U.S. PATENT DOCUMENTS

D111,616 S	10/1938	Rosengren	D7/379
2,306,245 A	* 12/1942	Duke	366/98
D163,423 S	5/1951	Schimanski	D7/379
D180,952 S	9/1957	Kaempf	D7/379
2,931,232 A	* 4/1960	Martin	74/16
D205,092 S	* 6/1966	Ewart	D7/379
D226,916 S	* 5/1973	Webb	D24/221
4,790,665 A	* 12/1988	Hayashi	366/98
D362,994 S	10/1995	Ratermann et al.	D7/376
5,860,738 A	* 1/1999	Brinkman	366/197
6,068,398 A	* 5/2000	Lin	366/347
D459,145 S	6/2002	Short	D7/379
6,435,708 B1	* 8/2002	Huang	366/347
D468,581 S	* 1/2003	Short	D7/379
2002/0181322 A1	* 12/2002	Brunswick et al.	366/197

FOREIGN PATENT DOCUMENTS

GB 2040842 * 8/1994
GB 3000822 * 7/2002

OTHER PUBLICATIONS

Hobart Food Equipment N-50 Mixer; Jun. 2000; 1 Page.
Hobart Food Equipment A-120 Mixer; Jun. 2000; 1 Page.
Hobart Food Equipment A-200 Mixer; Jun. 2000; 1 page.
The Edge publication, vol. Six, Spring 1994; 16 Pages.
U.S. Trademark Reg. No. 2,206,296, Premark filed Dec. 1998.
U.S. Trademark Reg. No. 2,194,508, Premark filed Oct. 1998.
U.S. Trademark Reg. No. 1,553,469, Hobart filed Aug. 2, 1989.

* cited by examiner

Primary Examiner—Caron D. Veynar

(74) *Attorney, Agent, or Firm*—Thompson Hine LLP

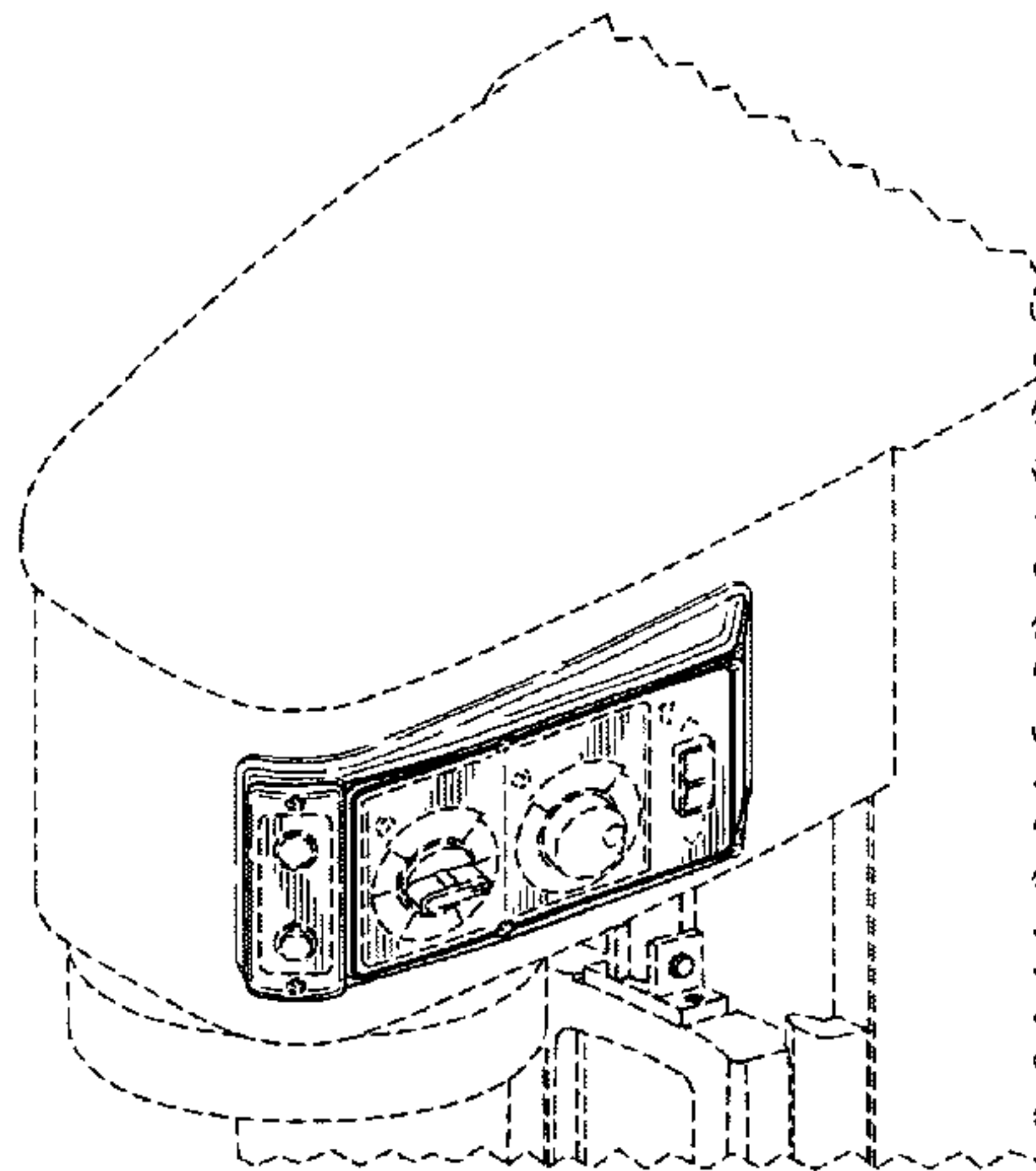
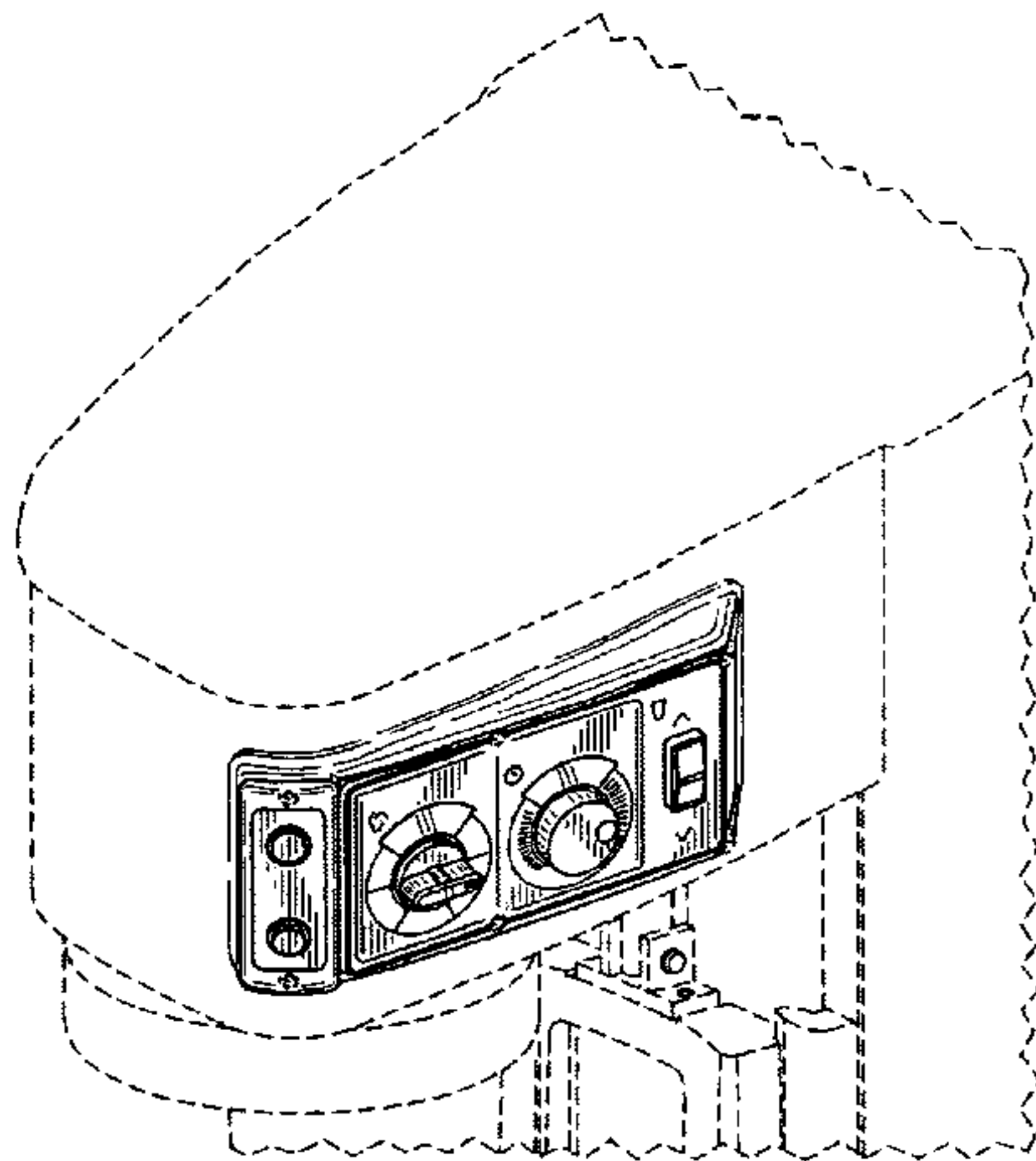
(57) **CLAIM**

The ornamental design for a mixer control interface, as shown and described.

DESCRIPTION

FIG. 1 is a perspective view of a mixer control interface showing our new design;
FIG. 2 is a front elevation view of FIG. 1;
FIG. 3 is a left elevation view of FIG. 1;
FIG. 4 is a right elevation view of FIG. 1;
FIG. 5 is a top view of FIG. 1;
FIG. 6 is a perspective view of a second embodiment of the mixer control interface;
FIG. 7 is a front elevation view of FIG. 6;
FIG. 8 is a left elevation view of FIG. 6;
FIG. 9 is a right elevation view of FIG. 6; and,
FIG. 10 is a top view of FIG. 6.
The broken lines shown in FIGS. 1-10 are for illustrative purposes only and form no part of the claimed design.

1 Claim, 10 Drawing Sheets



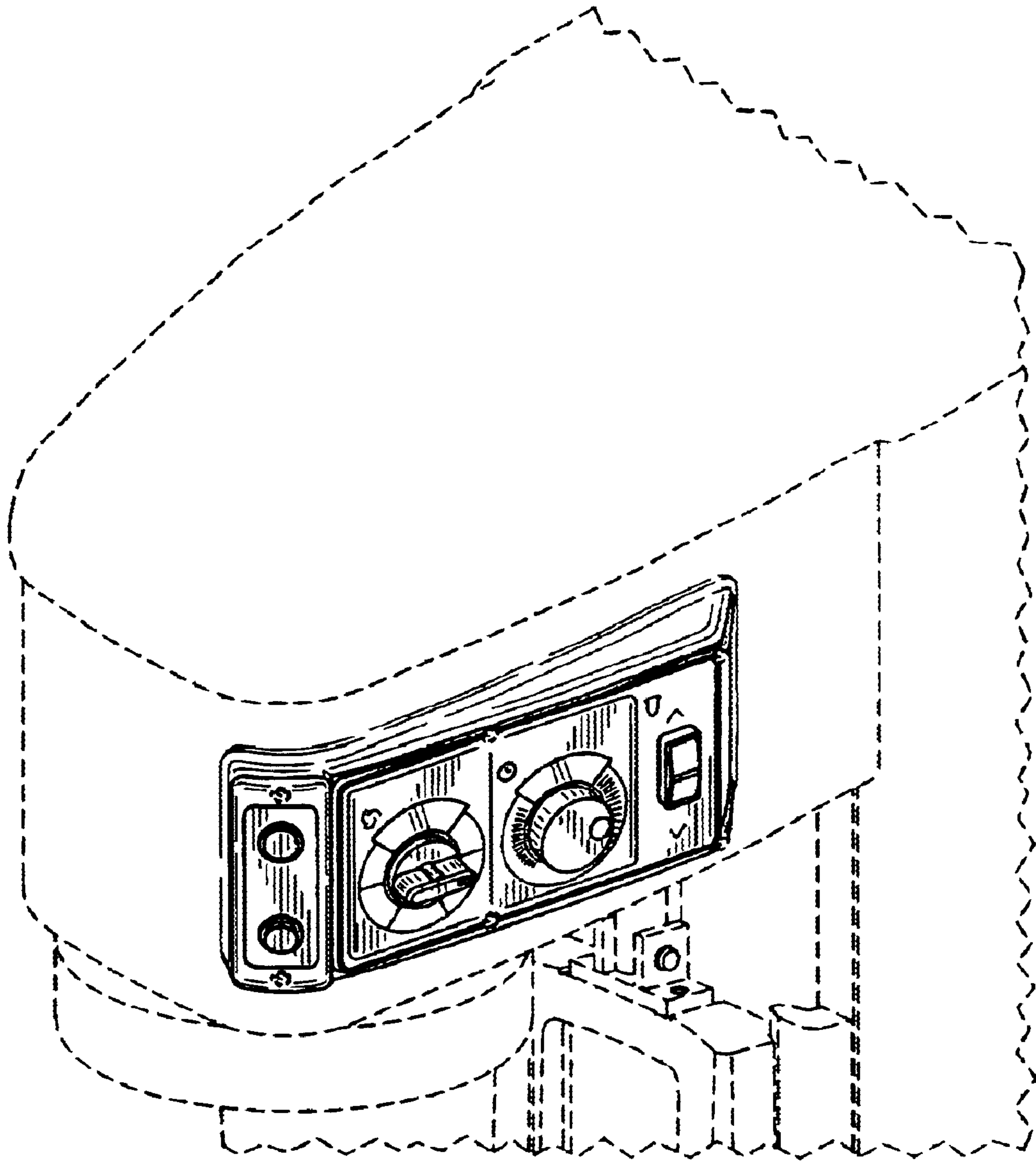


FIG. 1

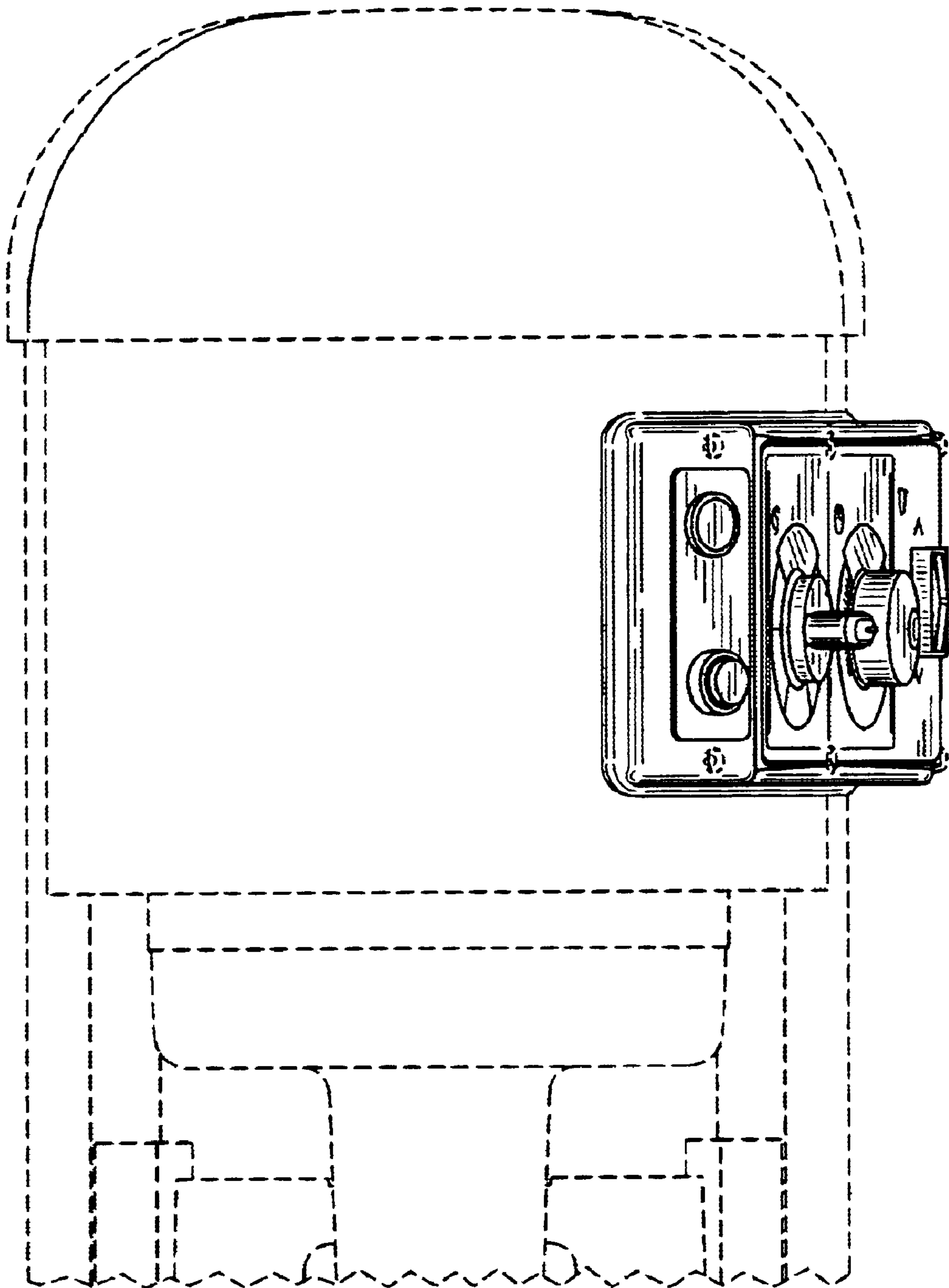


FIG. 2

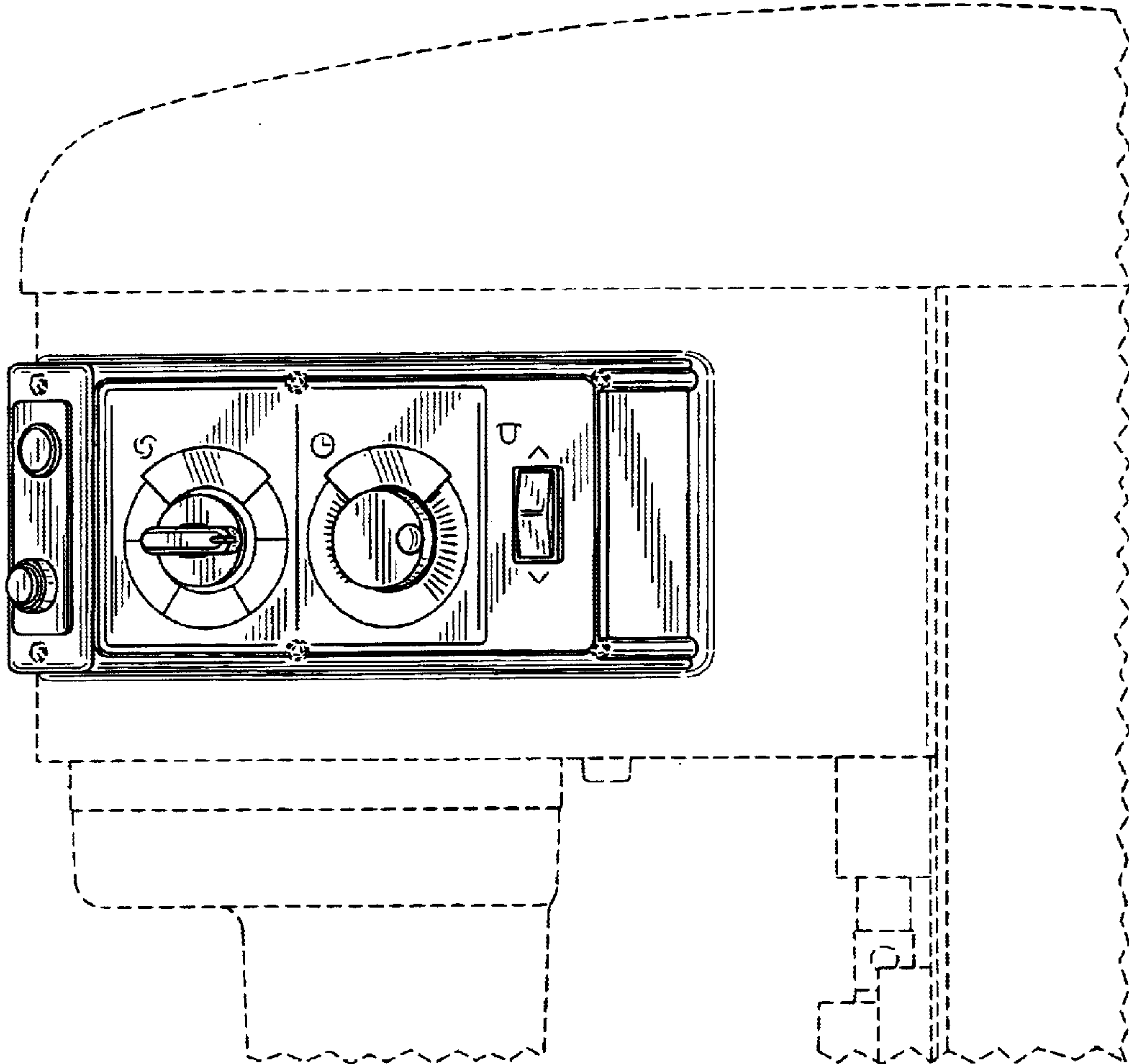


FIG. 3

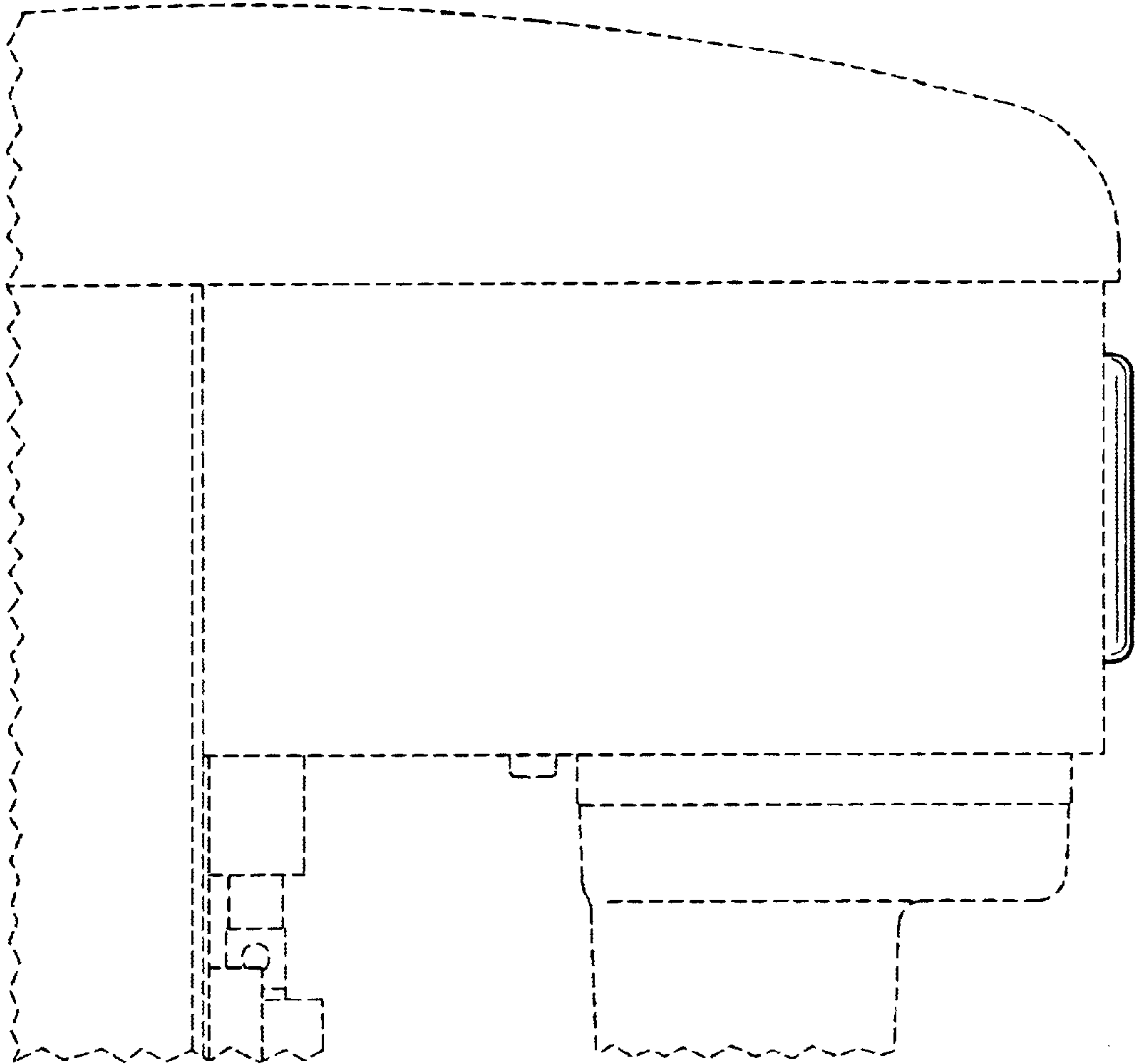


FIG. 4

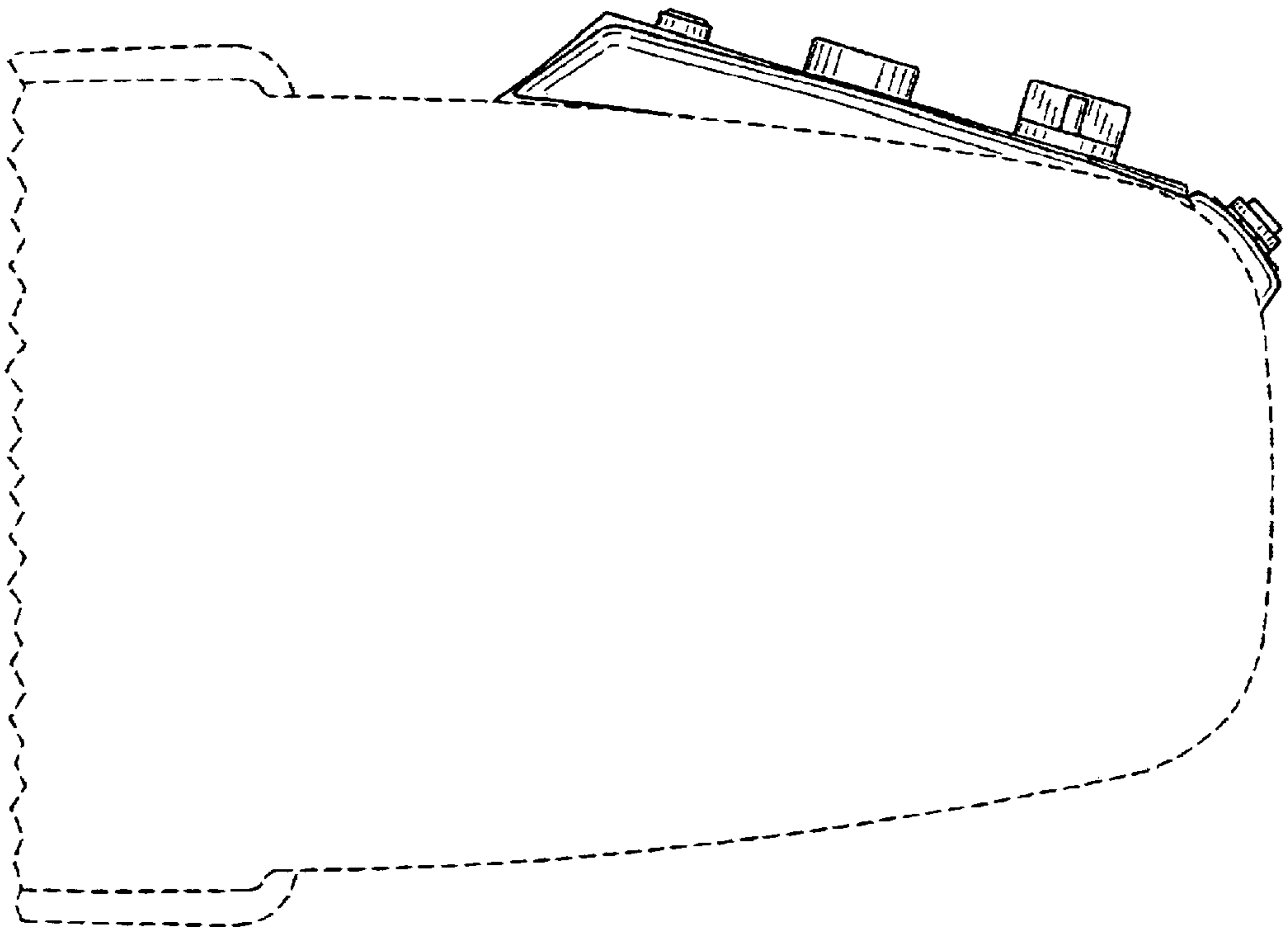


FIG. 5

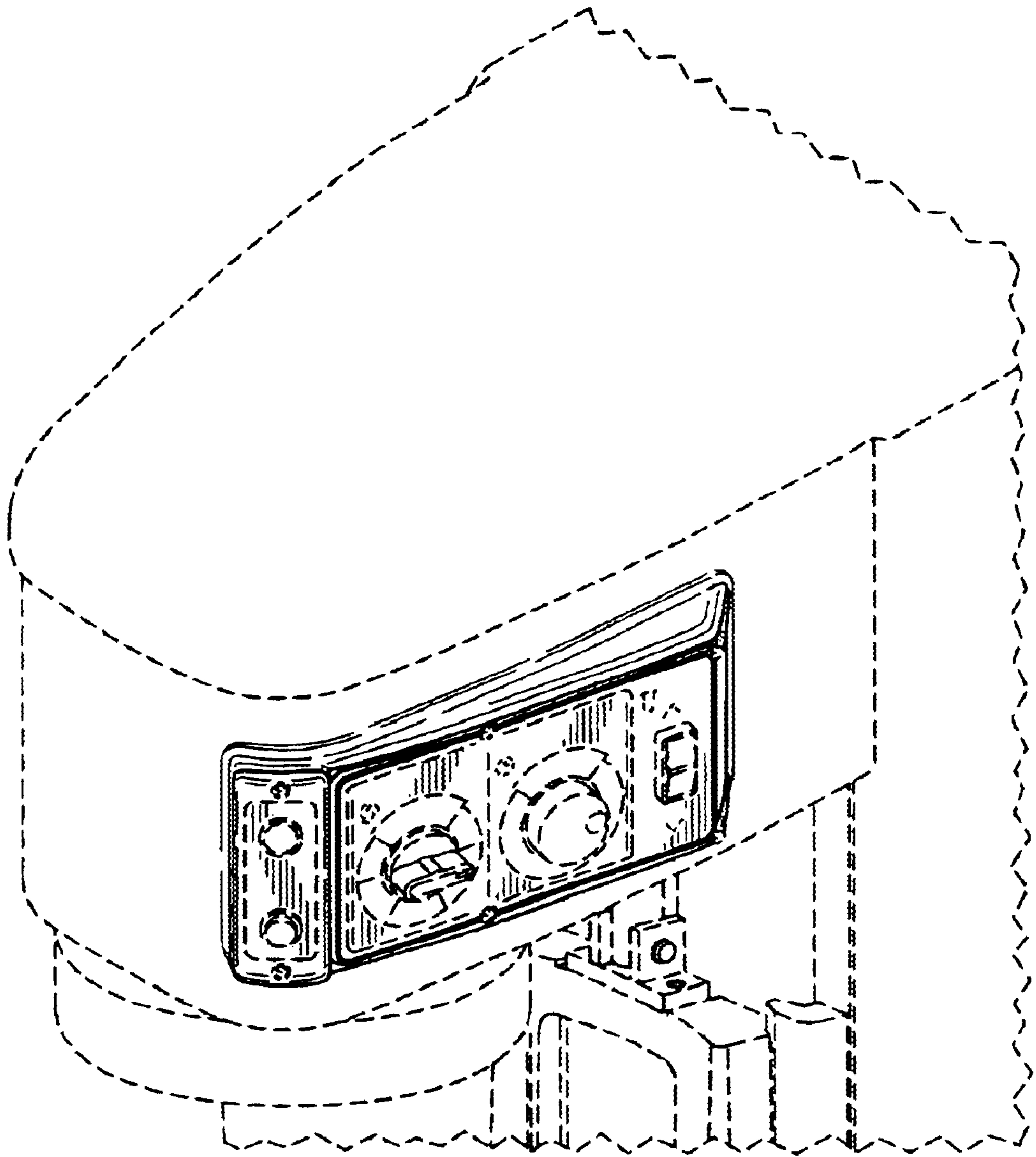


FIG. 6

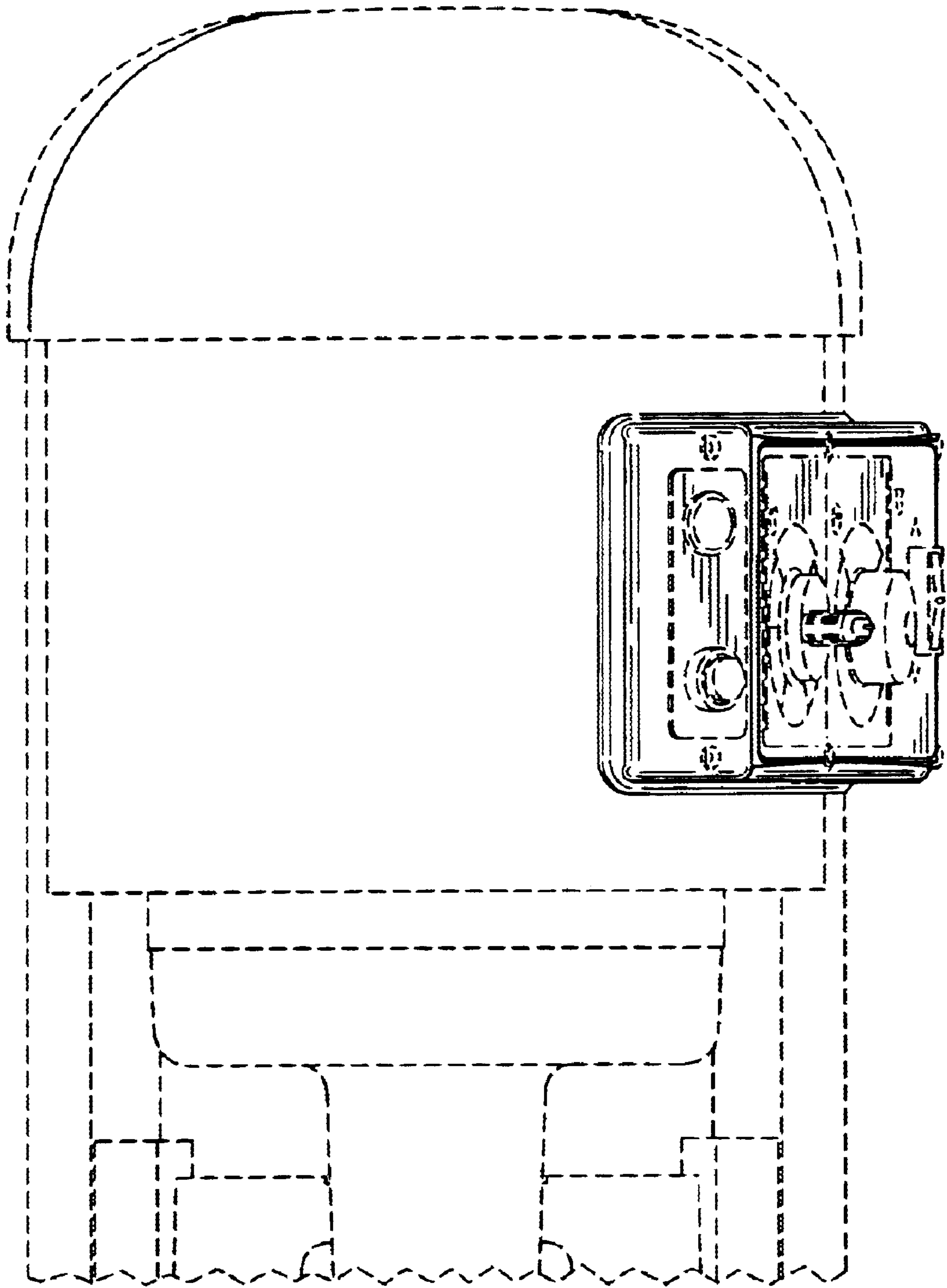


FIG. 7

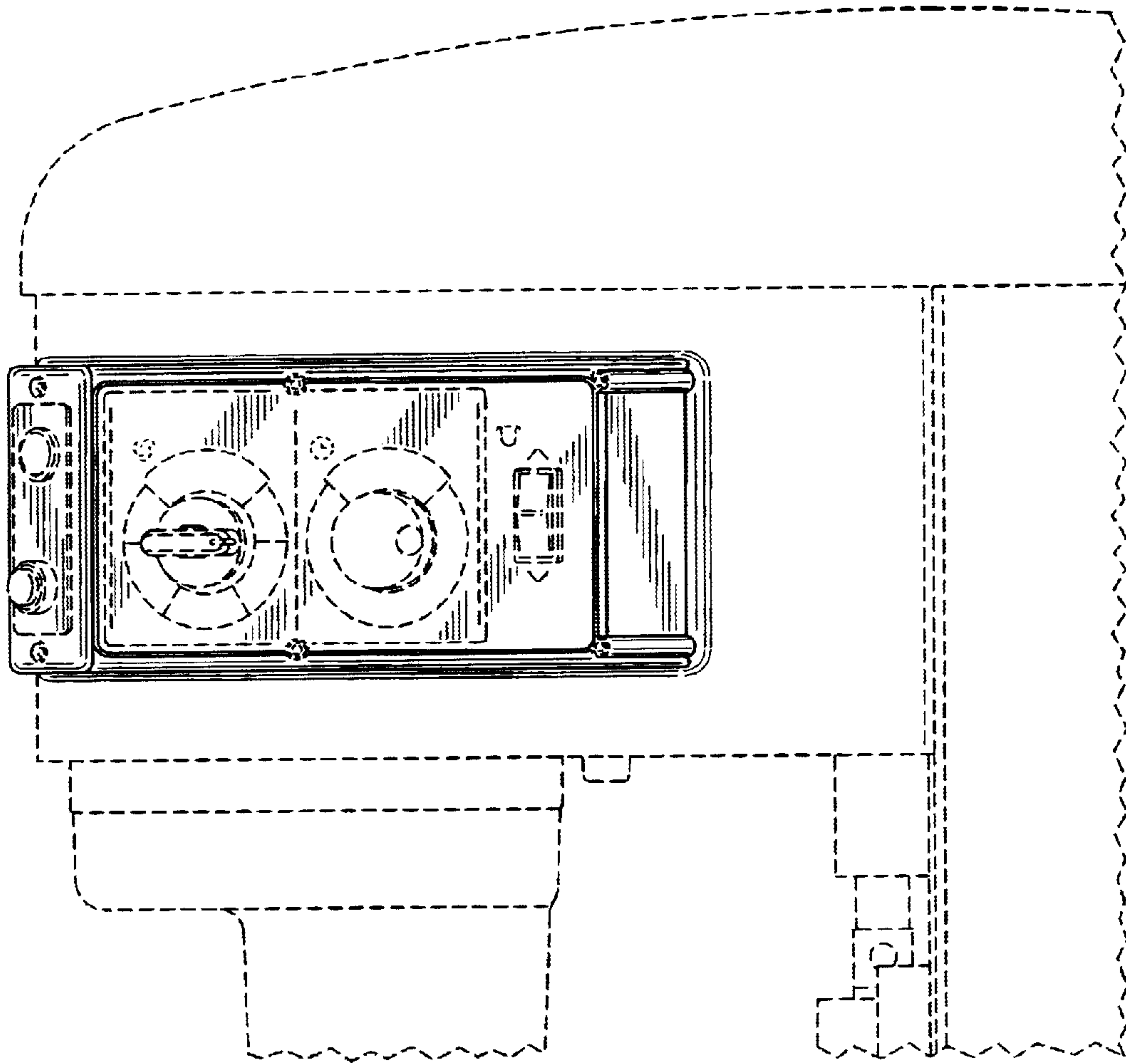


FIG. 8

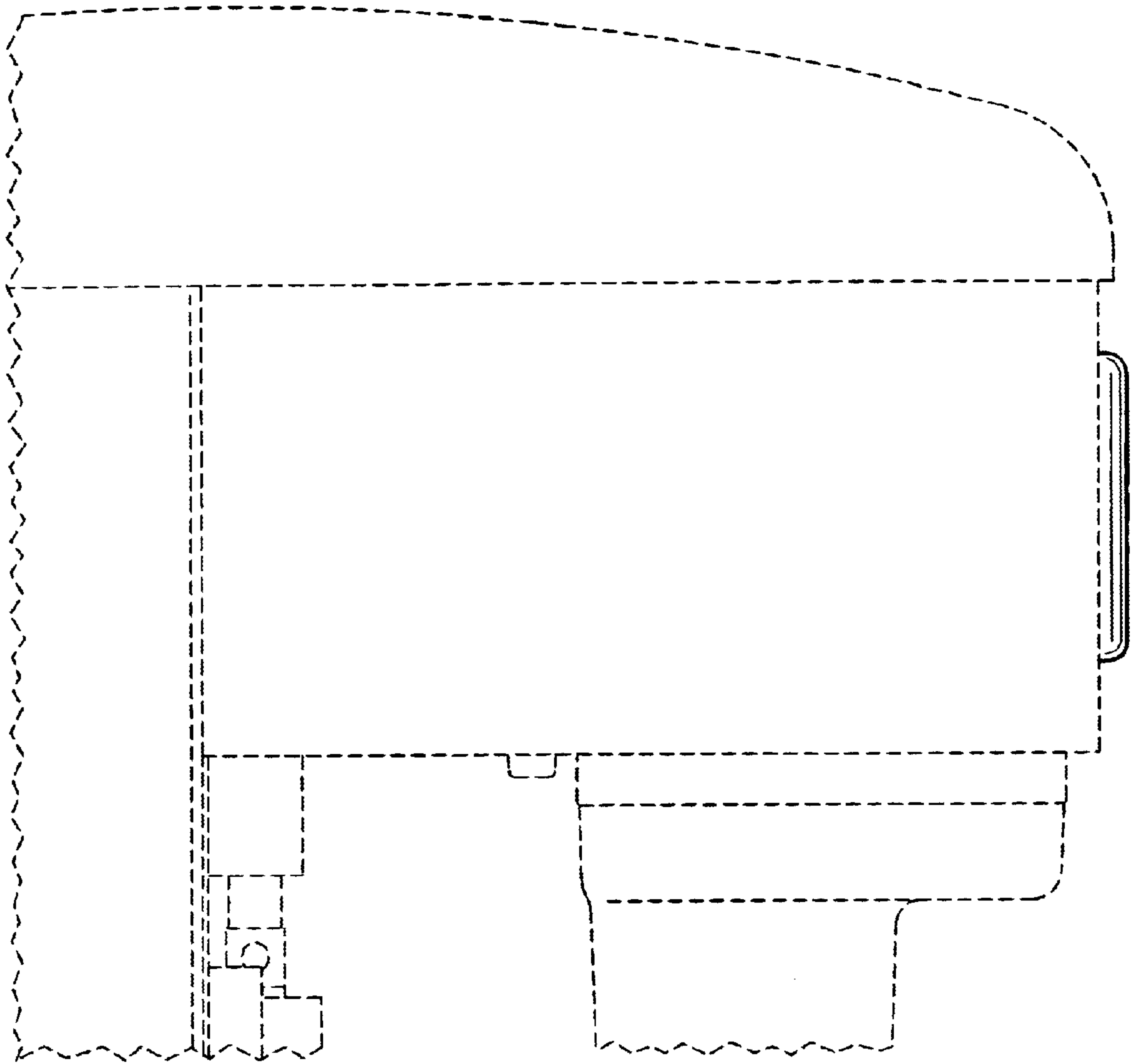


FIG. 9

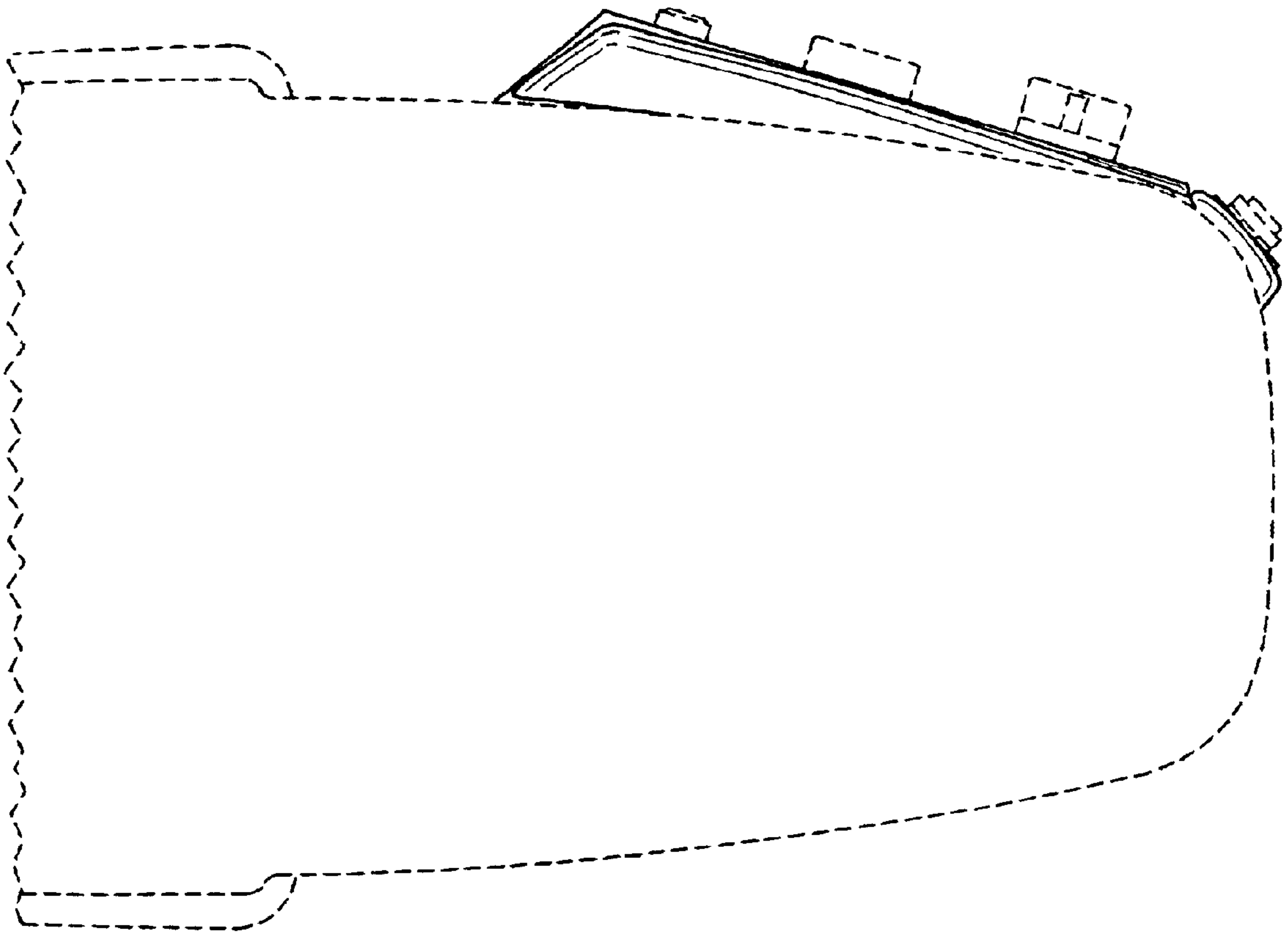


FIG. 10