



US00D490269S

(12) **United States Design Patent**
Morgan

(10) **Patent No.:** **US D490,269 S**

(45) **Date of Patent:** **** May 25, 2004**

(54) **COVERED DUAL CONCENTRIC DOME MOLD**

(76) Inventor: **Fletcher Morgan**, 4990 Coquina Key Dr., SE., St. Petersburg, FL (US) 33705

(**) Term: **14 Years**

(21) Appl. No.: **29/173,415**

(22) Filed: **Dec. 30, 2002**

(51) **LOC (7) Cl.** **07-02**

(52) **U.S. Cl.** **D7/356**

(58) **Field of Search** D7/354-361, 545; 220/912, DIG. 12, 573.1-573.4

(56) **References Cited**

U.S. PATENT DOCUMENTS

578,389 A *	3/1897	Challis	220/912
797,314 A *	8/1905	Owens	220/912
1,627,757 A *	6/1927	von Elm	220/912

* cited by examiner

Primary Examiner—Lisa Lichtenstein
(74) *Attorney, Agent, or Firm*—John S. Hale; Gipple & Hale

(57) **CLAIM**

The ornamental design for a covered dual concentric dome mold, as shown and described.

DESCRIPTION

FIG. 1 is a perspective view of the covered dual concentric dome mold showing my new design;

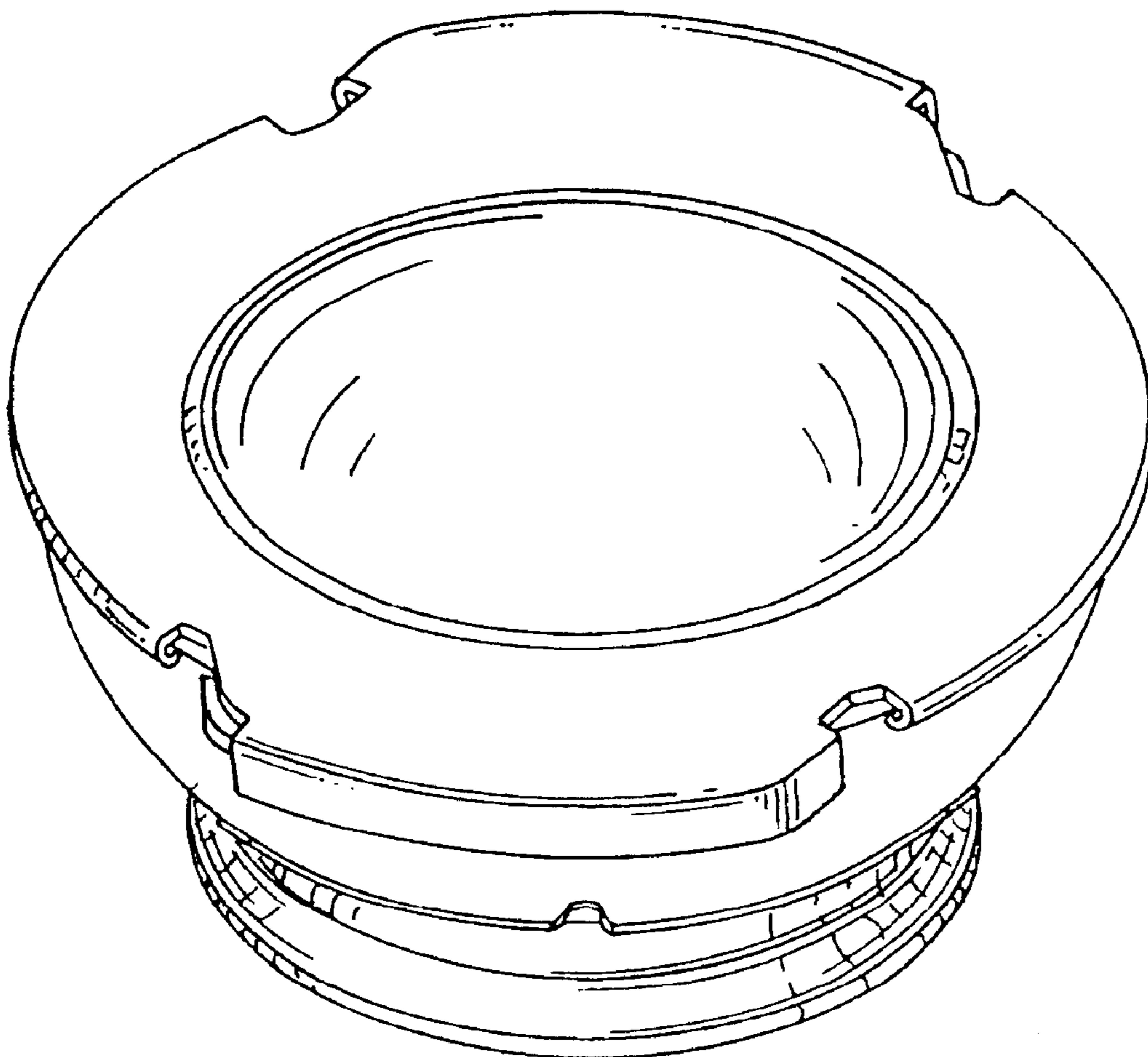
FIG. 2 is a front elevational view thereof, the rear view being identical;

FIG. 3 is a side elevational view thereof, the other side view being identical;

FIG. 4 is a top plan view thereof; and,

FIG. 5 is a bottom plan view thereof.

1 Claim, 4 Drawing Sheets



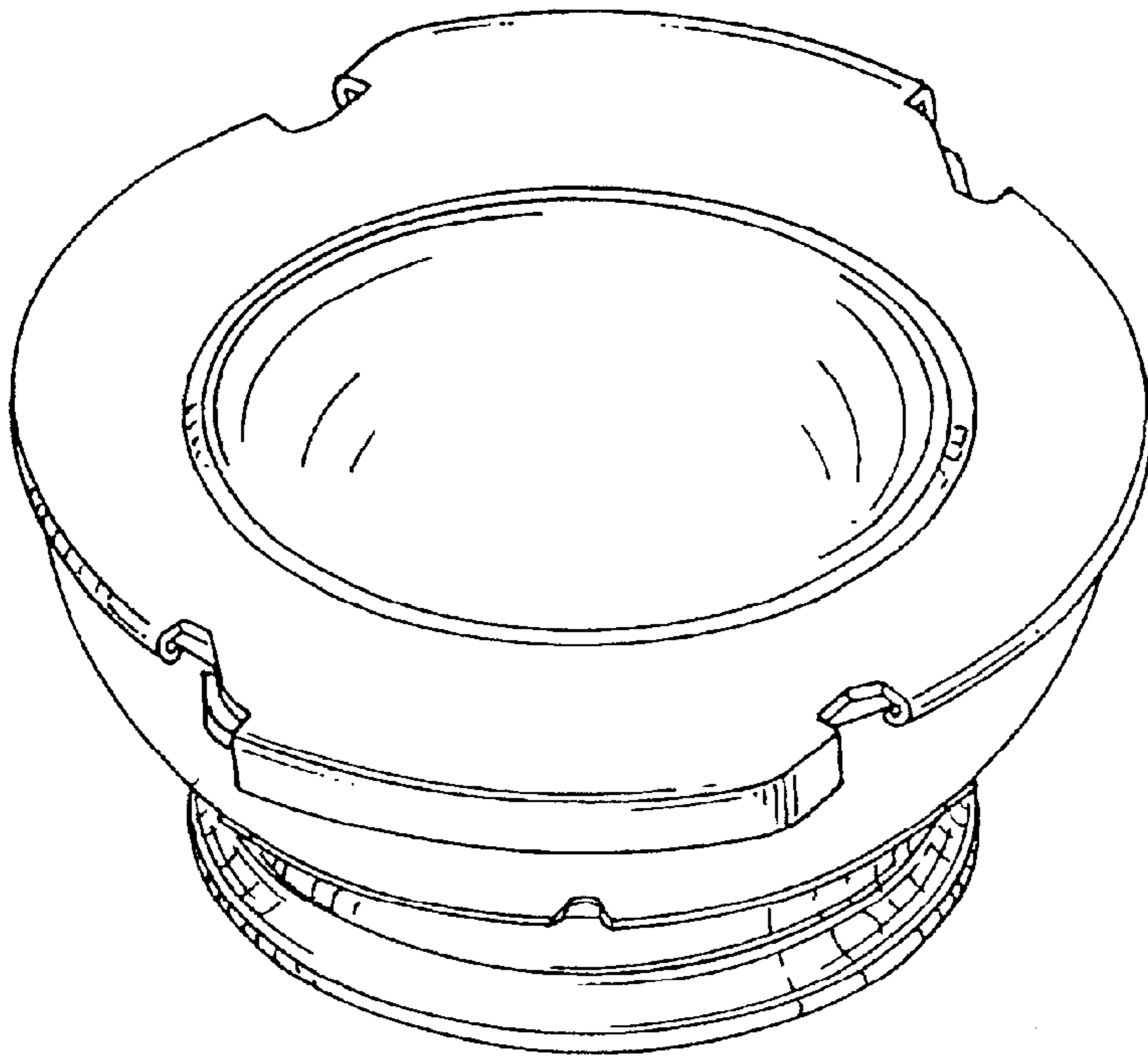


Fig. 1

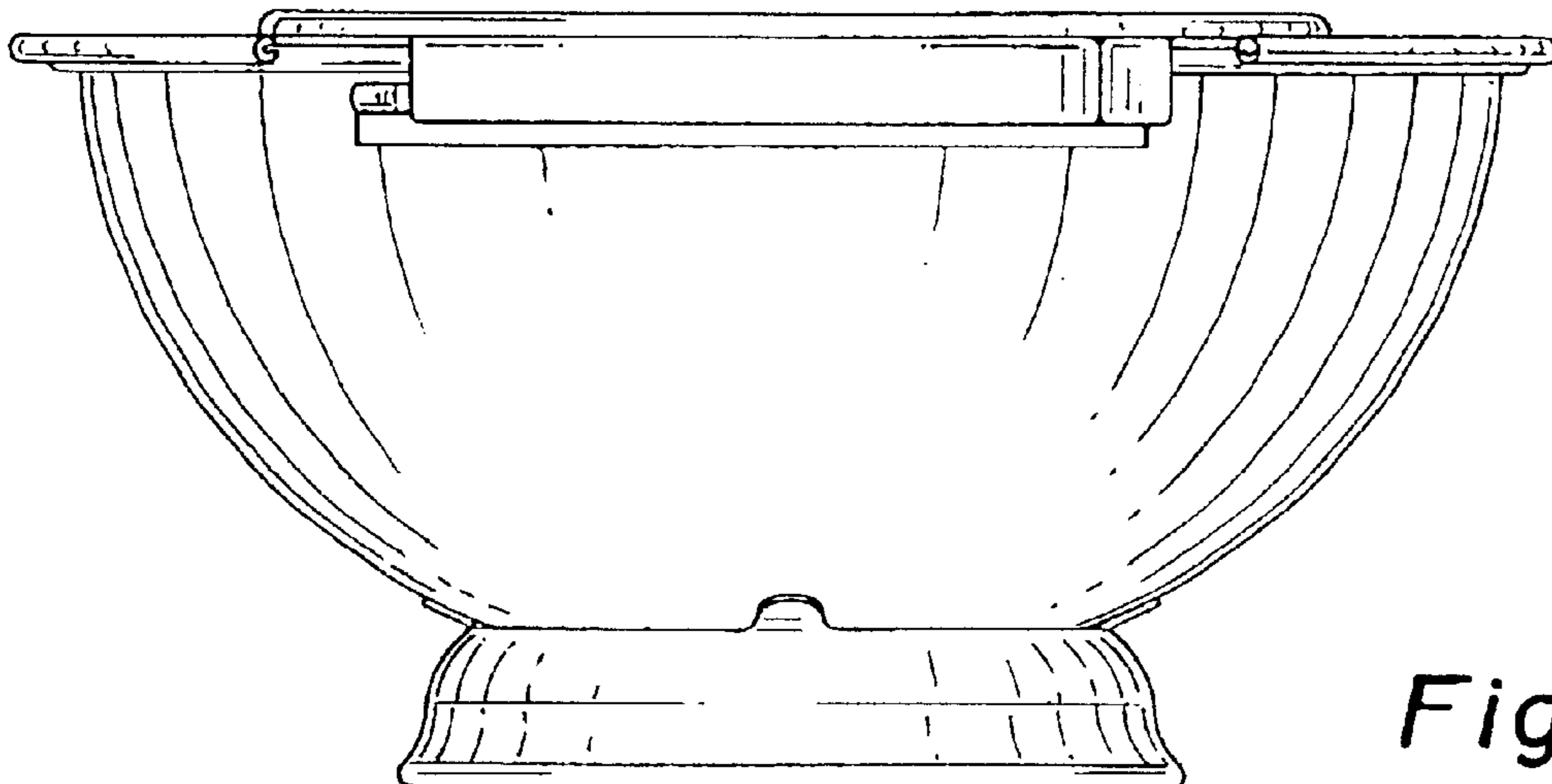
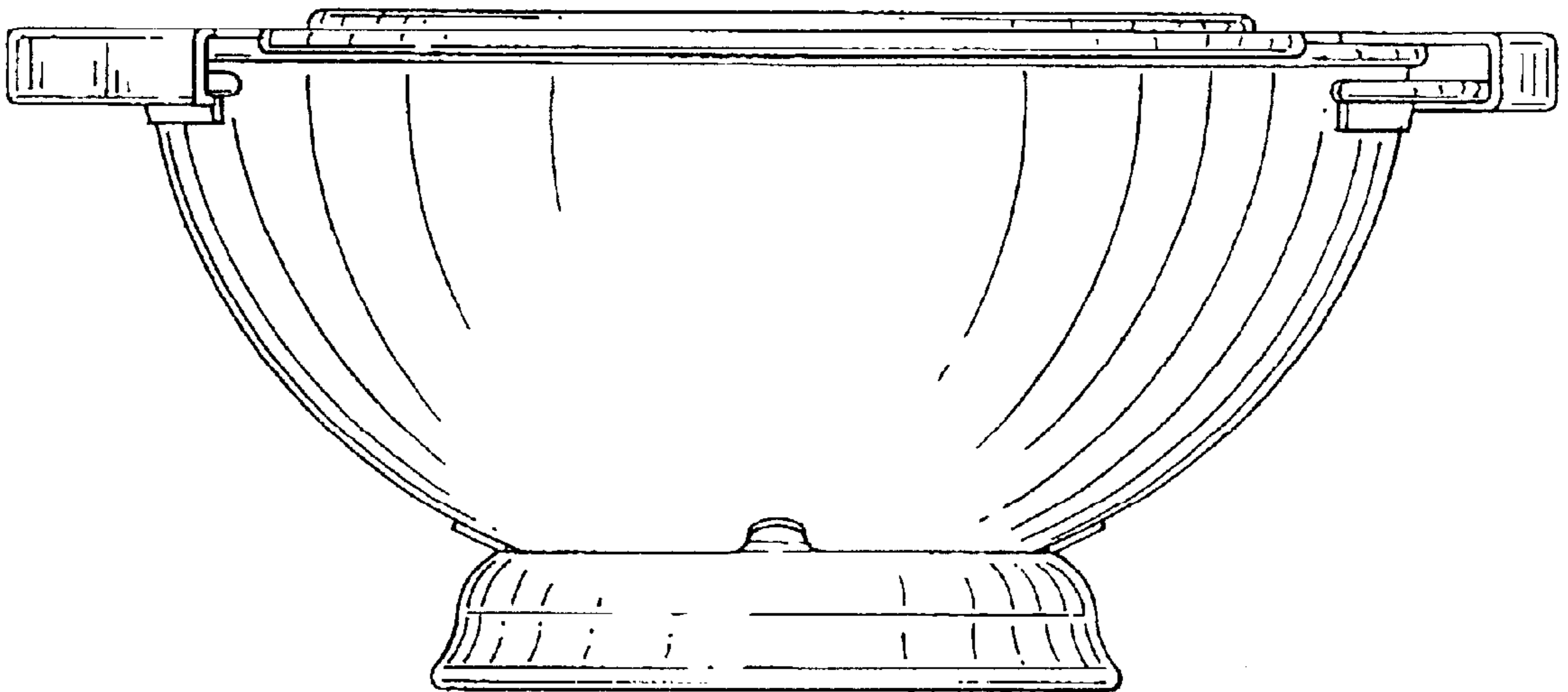


Fig. 2

Fig. 3



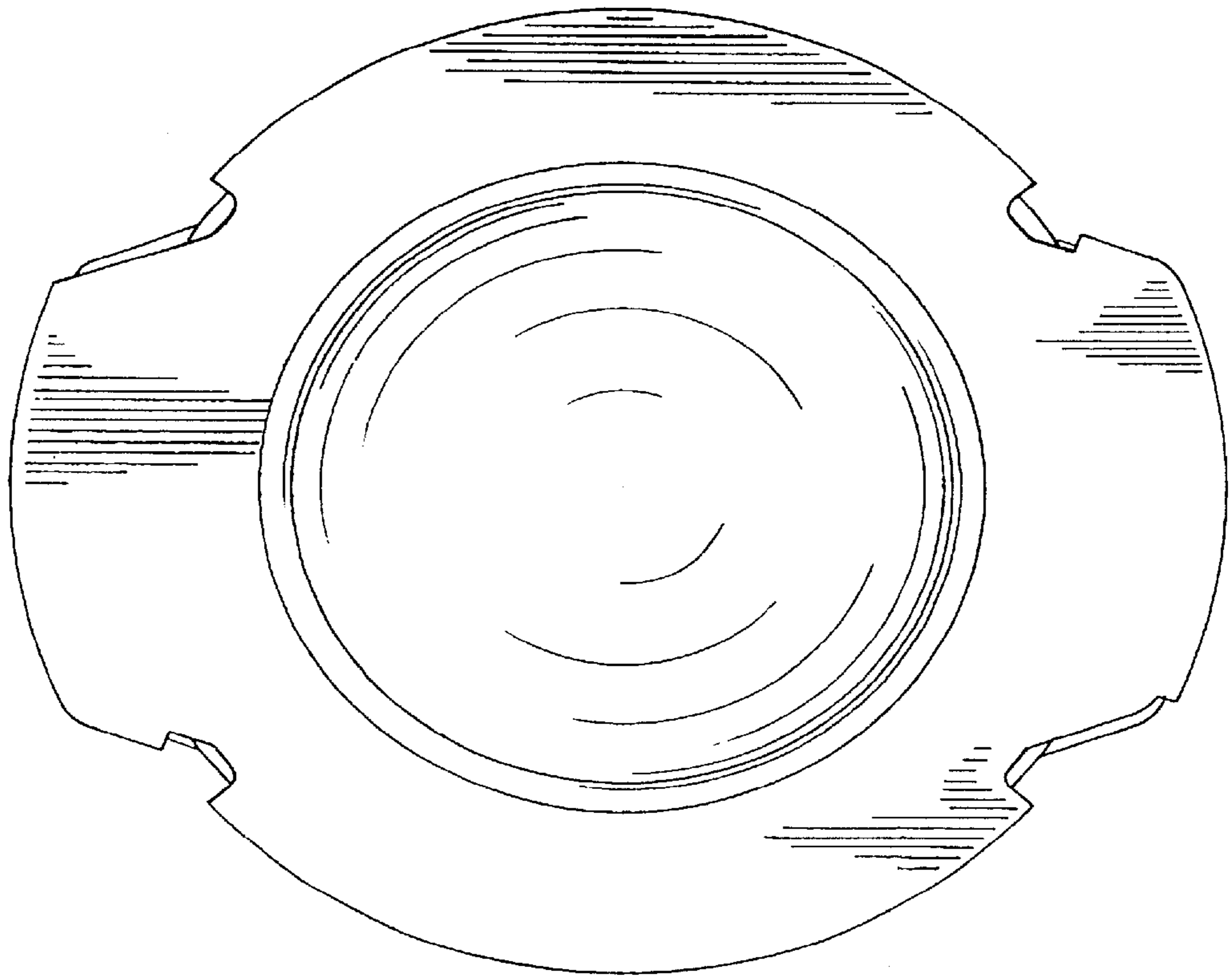


Fig. 4

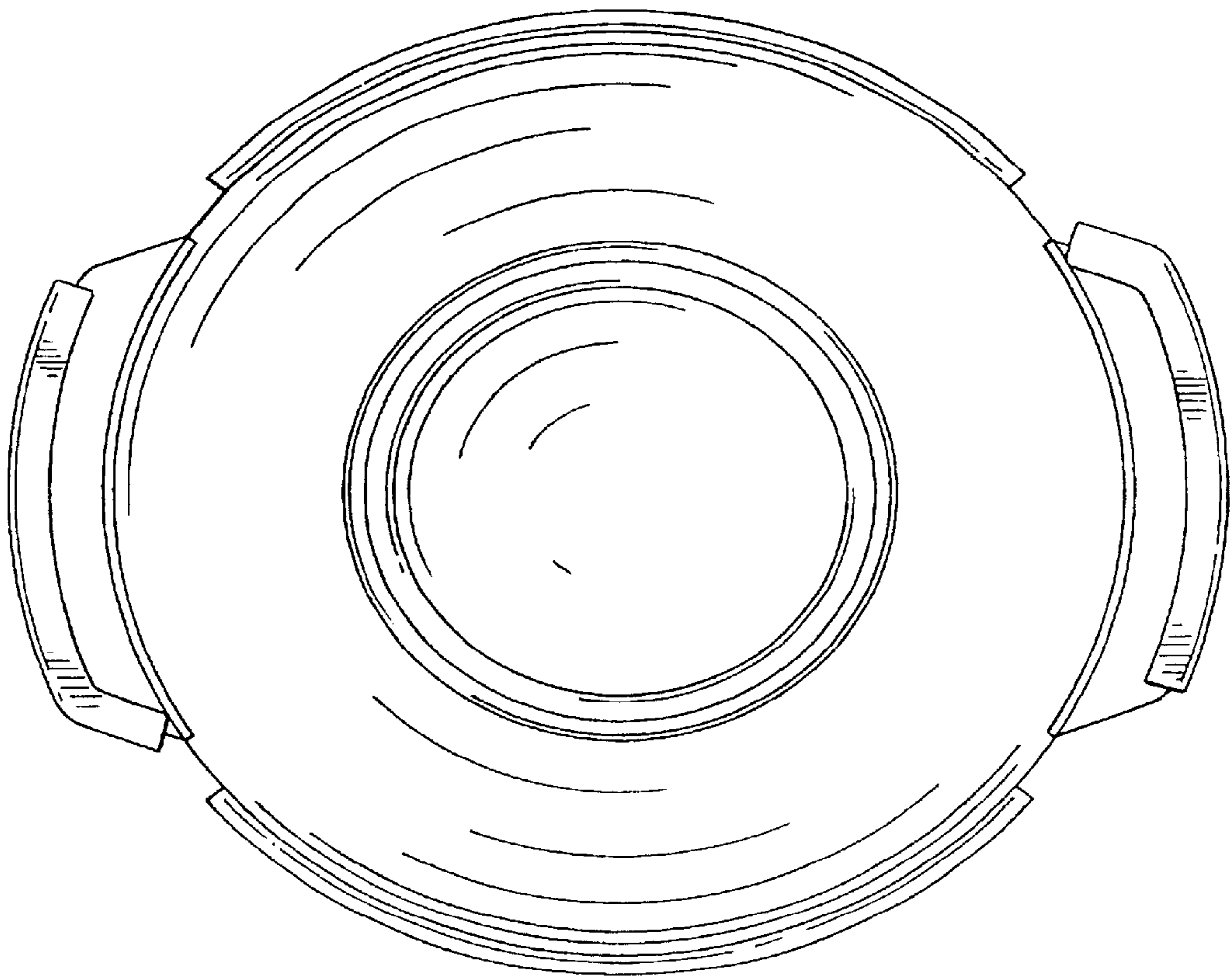


Fig. 5