



US00D490265S

(12) **United States Design Patent**  
**Claassen**

(10) **Patent No.:** **US D490,265 S**

(45) **Date of Patent:** **\*\* May 25, 2004**

(54) **BEVERAGE DISPENSER**

(75) Inventor: **Noud Claassen**, Eindhoven (NL)

(73) Assignee: **Sara Lee/DE N.V.**, Utrecht (NL)

(\*\*) Term: **14 Years**

(21) Appl. No.: **29/183,343**

(22) Filed: **Jul. 11, 2003**

(30) **Foreign Application Priority Data**

Jan. 24, 2003 (WO) ..... DM/062 616

(51) **LOC (7) Cl.** ..... **07-01**

(52) **U.S. Cl.** ..... **D7/308; D7/307**

(58) **Field of Search** ..... D7/300, 307, 308,  
D7/309, 311, 305; 141/1, 129, 174; 222/486,  
129.1, 129.2, 129.3, 129.4; 99/279, 295

(56) **References Cited**

**U.S. PATENT DOCUMENTS**

- 4,550,652 A \* 11/1985 Silva ..... 99/295 X
- D310,002 S \* 8/1990 Rossio et al. .... D7/308
- 4,951,719 A \* 8/1990 Wiley et al. .... 141/1
- D313,724 S \* 1/1991 Pinon ..... D7/308
- D324,464 S \* 3/1992 Credle, Jr. et al. .... D7/308
- D334,863 S \* 4/1993 Phillips et al. .... D7/308
- D337,018 S \* 7/1993 Groover et al. .... D7/305
- D395,975 S \* 7/1998 Munoz ..... D7/308
- D442,011 S \* 5/2001 Sandor et al. .... D7/307
- D442,417 S \* 5/2001 Jones et al. .... D7/307
- D448,600 S \* 10/2001 Sandor et al. .... D7/307
- D452,406 S \* 12/2001 Schroeder et al. .... D7/307

- D463,193 S \* 9/2002 Sandor et al. .... D7/307
- D463,945 S \* 10/2002 Sandor et al. .... D7/307
- D476,842 S \* 7/2003 Cortese ..... D7/309

\* cited by examiner

*Primary Examiner*—M. N. Pandozzi

(57) **CLAIM**

I claim the ornamental design for a beverage dispenser, as shown.

**DESCRIPTION**

FIG. 1 is a front perspective view of a beverage dispenser comprising the present invention;

FIG. 2 is a rear perspective view of the beverage dispenser shown in FIG. 1;

FIG. 3 is a front elevational view of the beverage dispenser shown in FIG. 1 and FIG. 2;

FIG. 4 is a rear elevational view of the beverage dispenser shown in FIG. 1, FIG. 2, and FIG. 3;

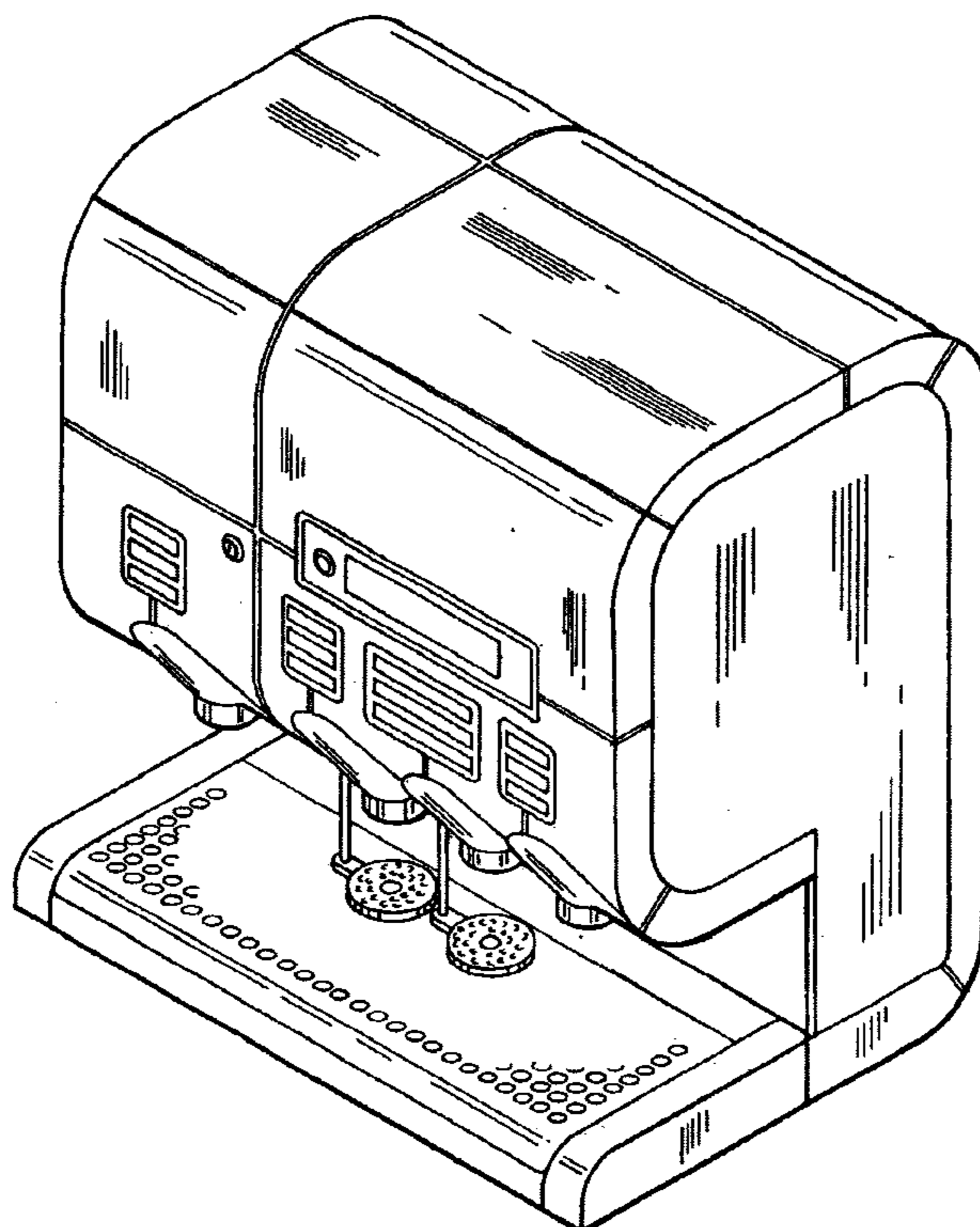
FIG. 5 is a side elevational view of the beverage dispenser shown in FIG. 1, FIG. 2, FIG. 3, and FIG. 4;

FIG. 6 is another side elevational view of the beverage dispenser shown in FIG. 1, FIG. 2, FIG. 3, FIG. 4, and FIG. 5;

FIG. 7 is a top elevational view of the beverage dispenser shown in FIG. 1, FIG. 2, FIG. 3, FIG. 4, FIG. 5, and FIG. 6; and,

FIG. 8 is bottom elevational view of the beverage dispenser shown in FIG. 1, FIG. 2, FIG. 3, FIG. 4, FIG. 5, FIG. 6, and FIG. 7.

**1 Claim, 5 Drawing Sheets**



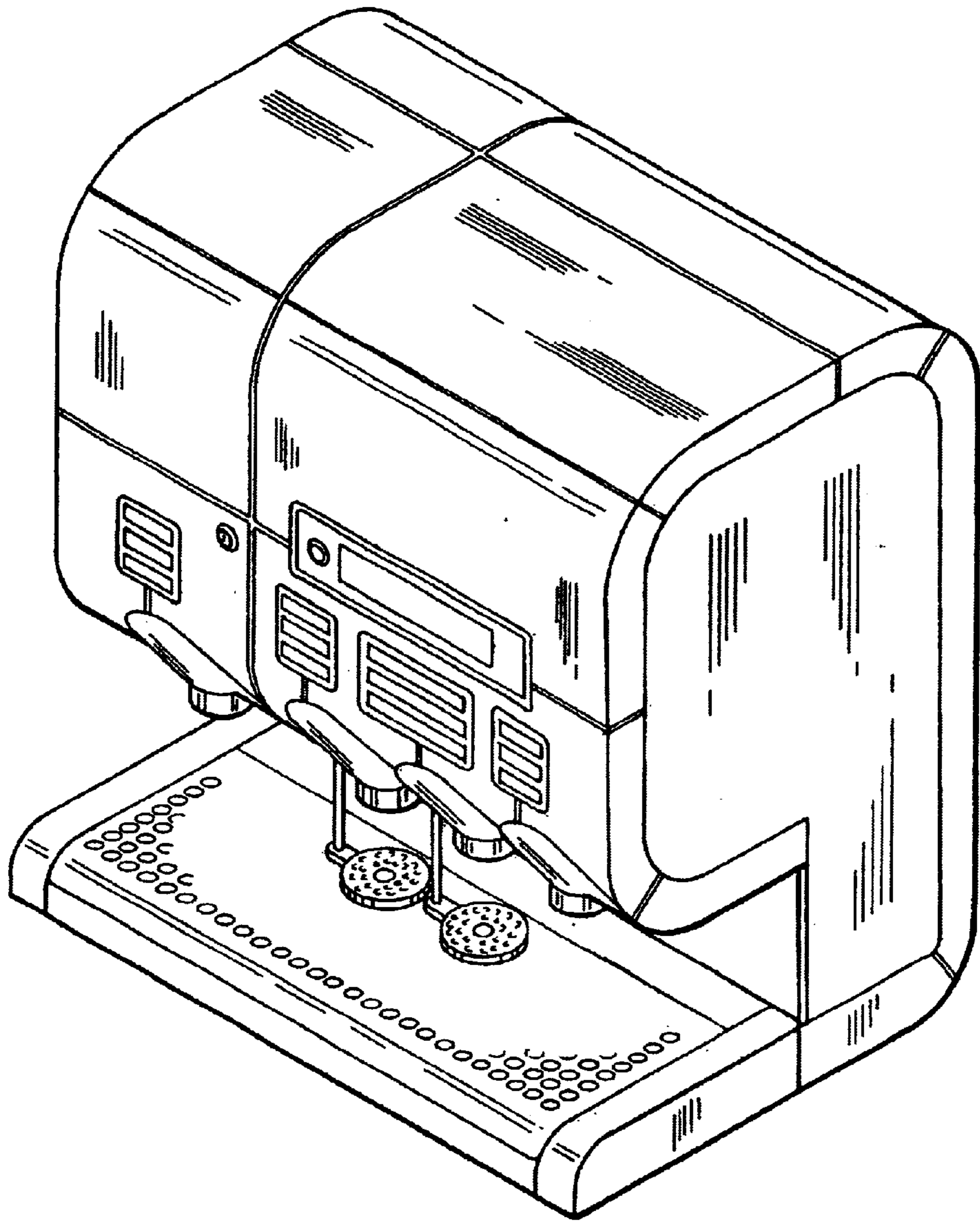


FIG. 1

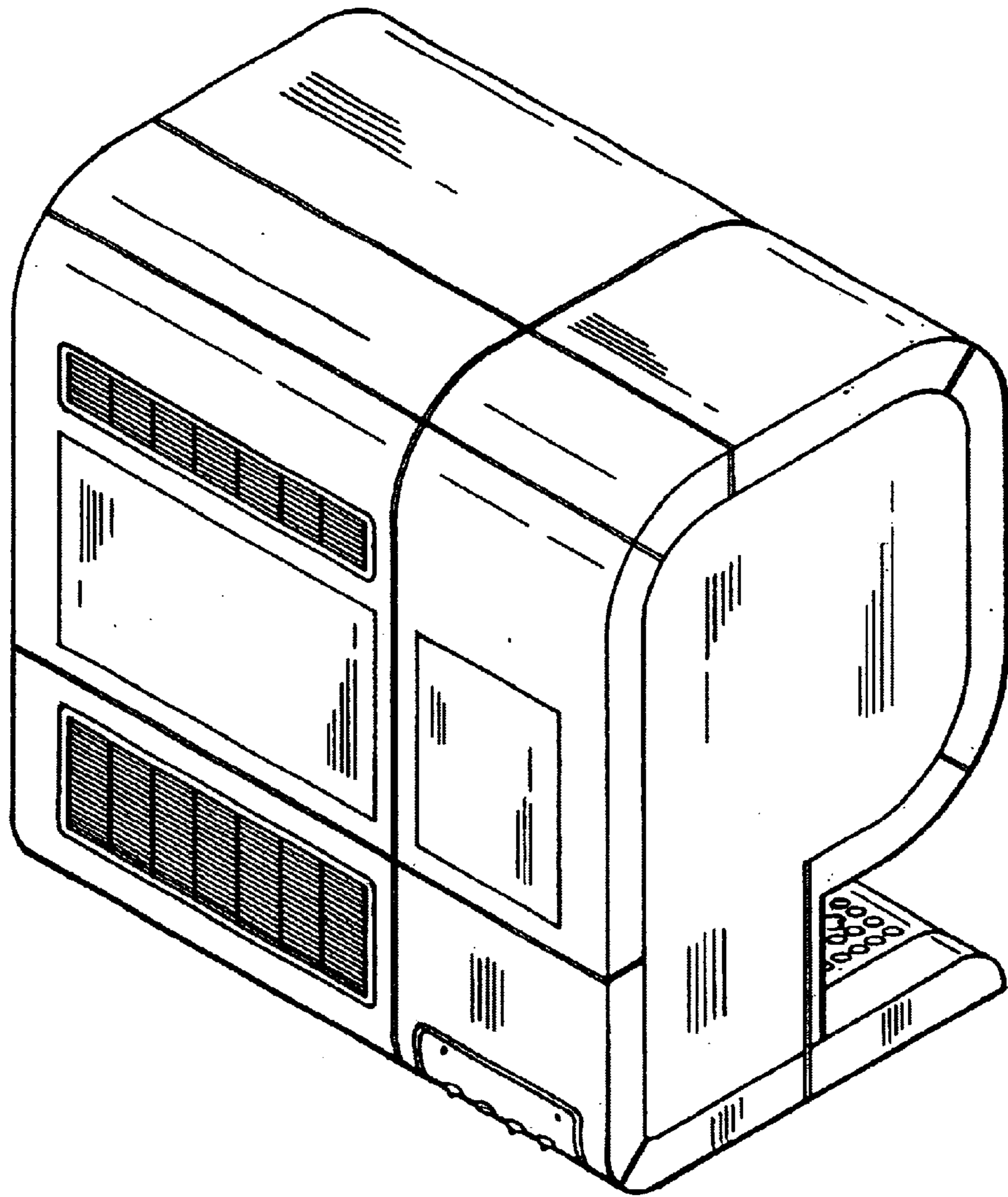


FIG. 2

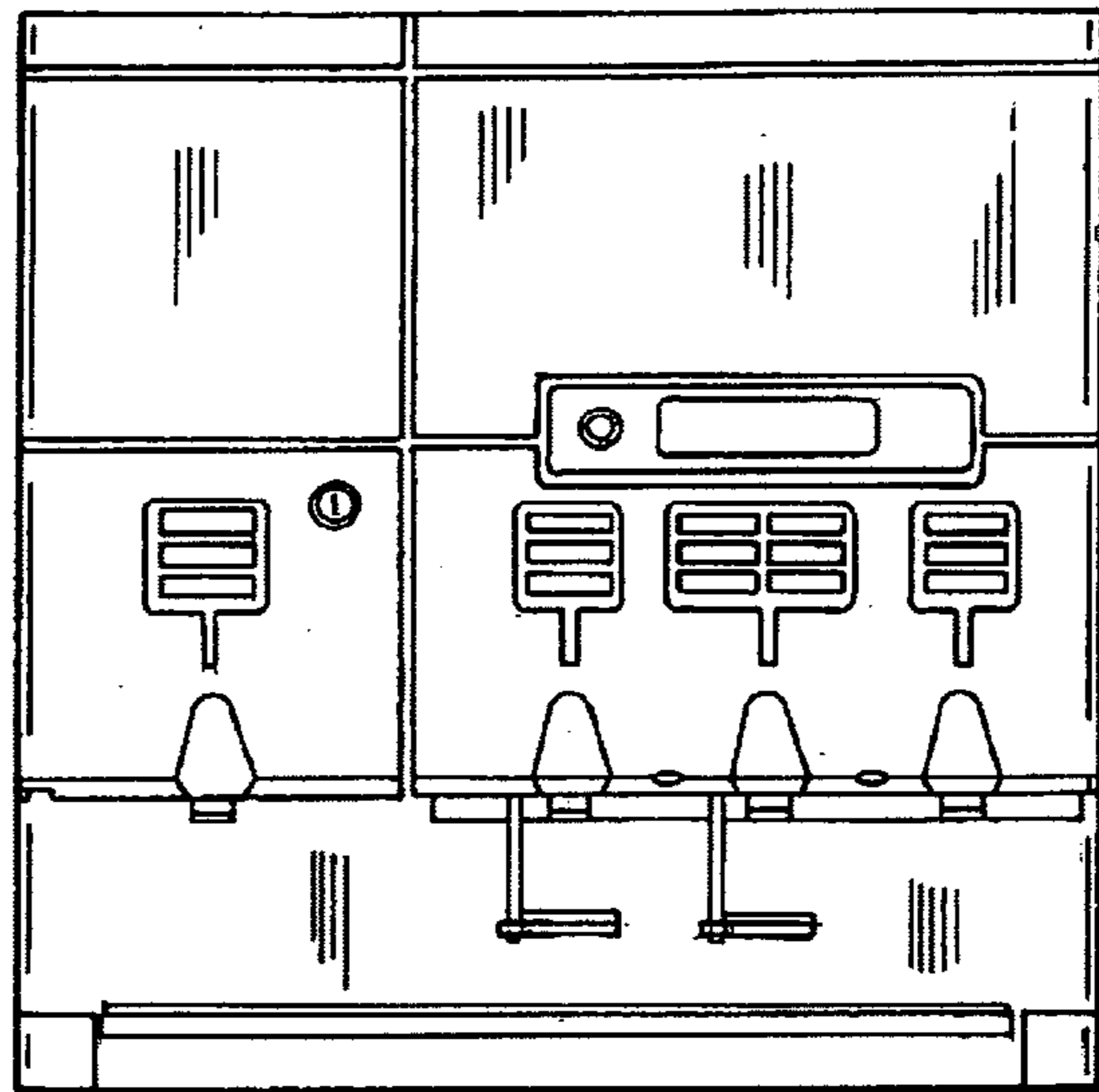


FIG. 3

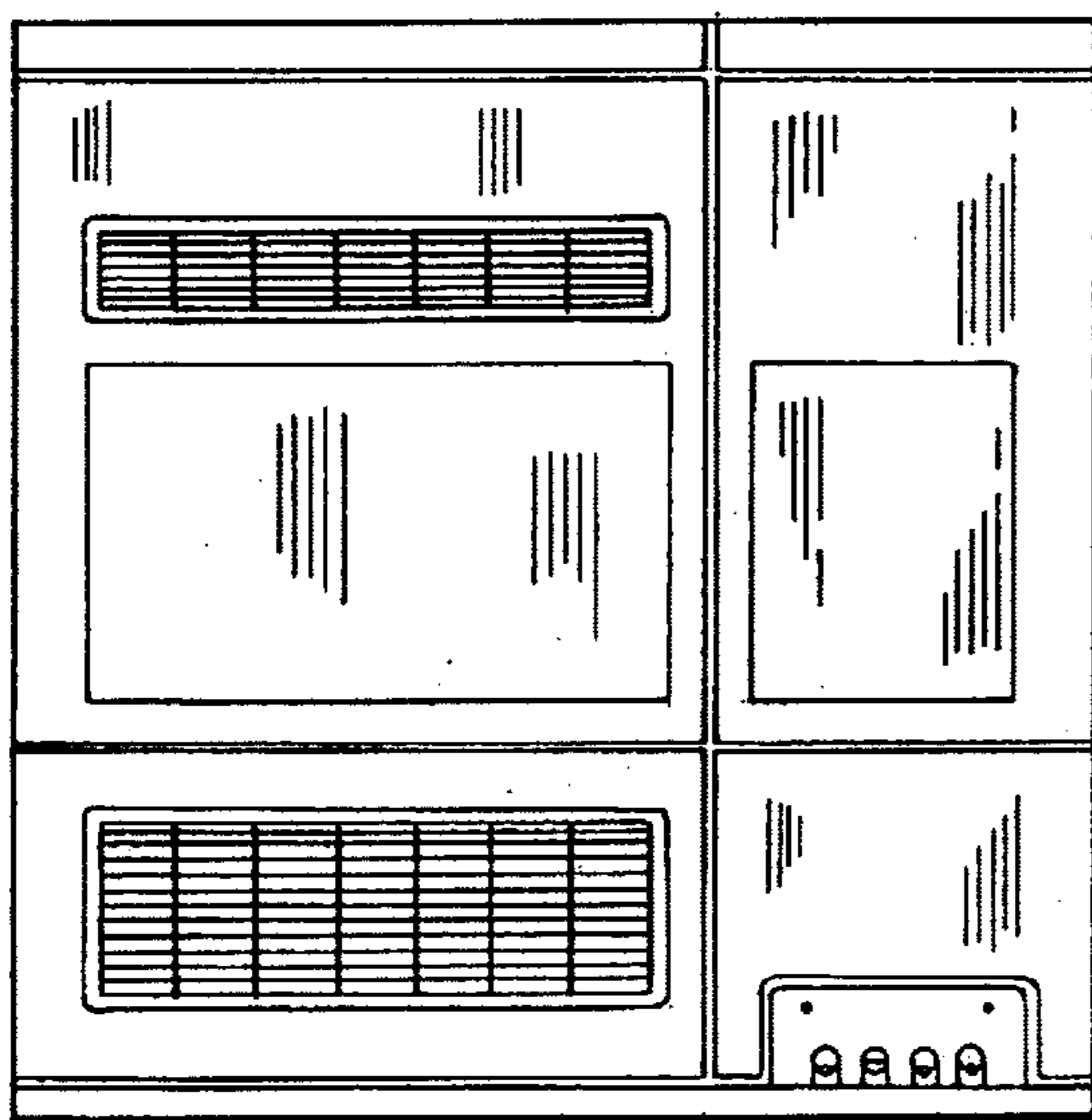


FIG. 4

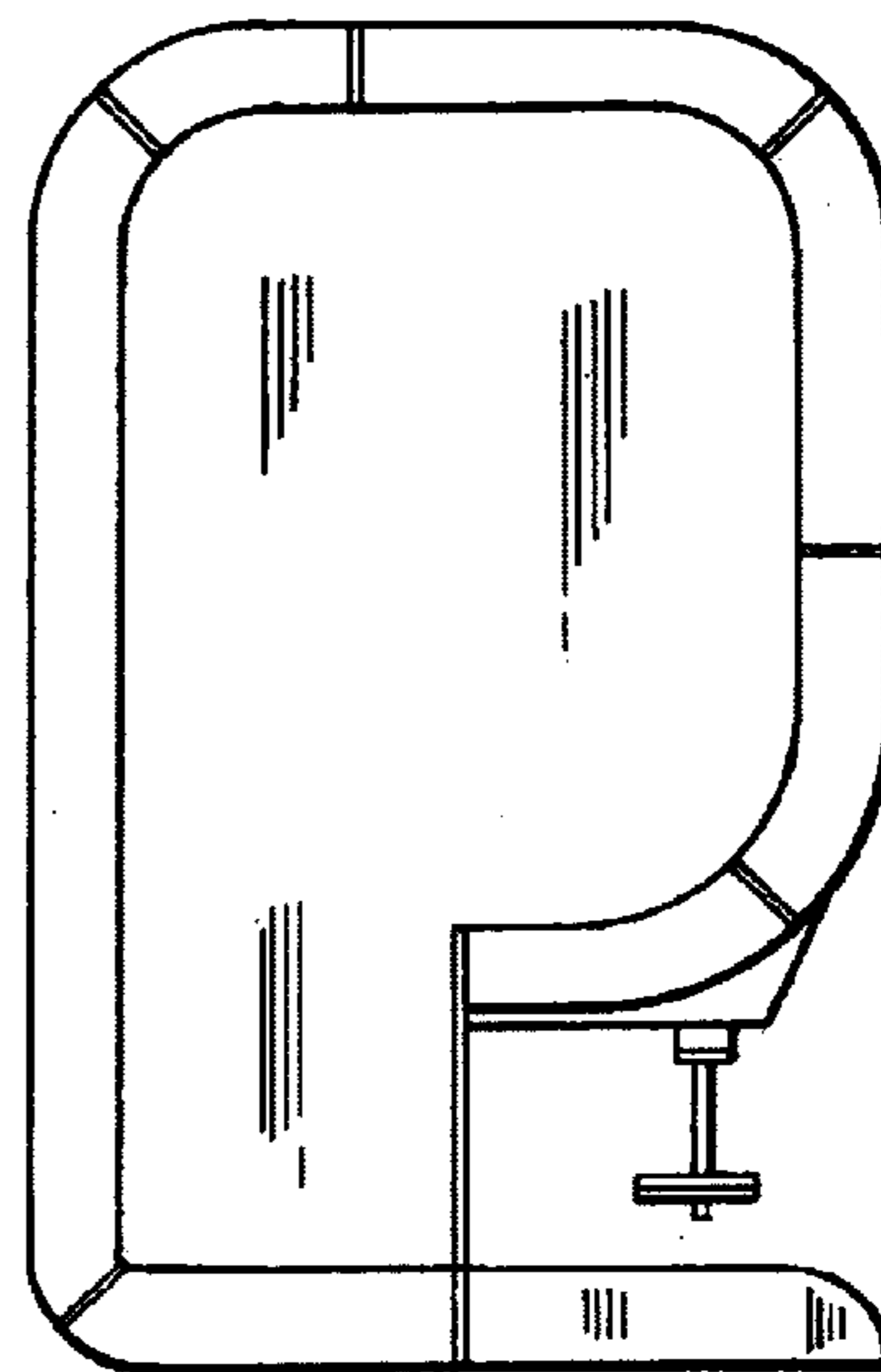


FIG. 5

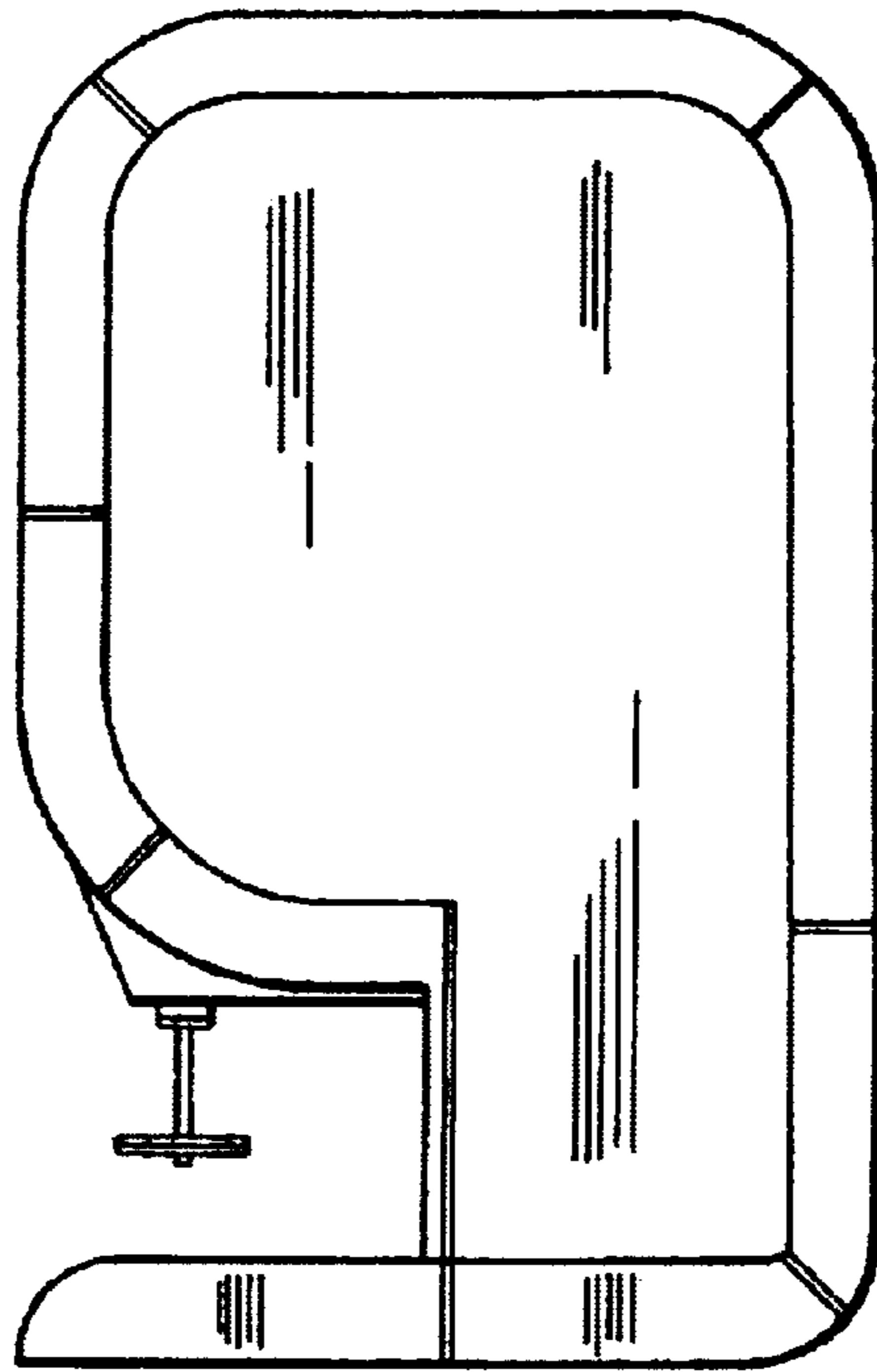


FIG. 6

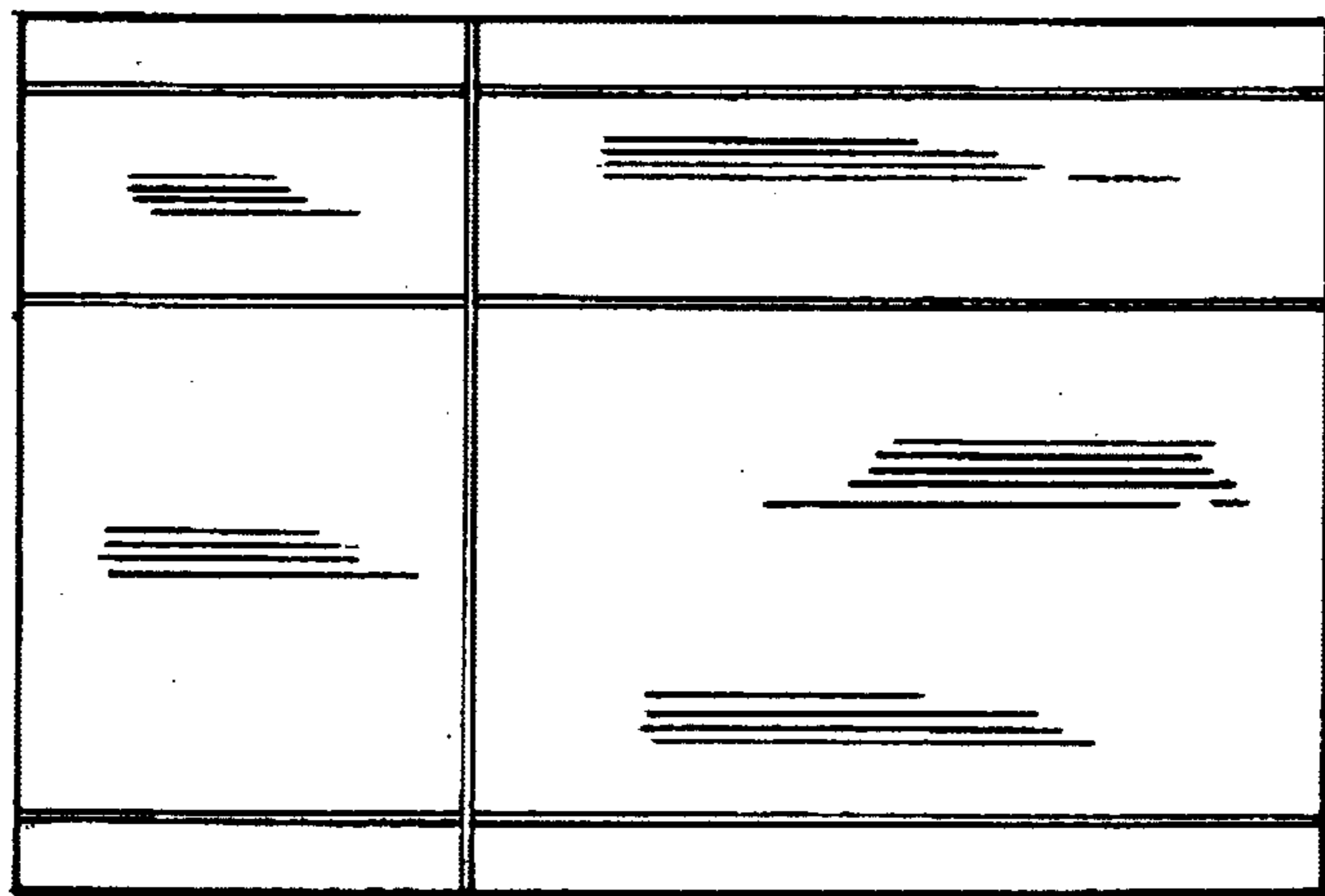


FIG. 7

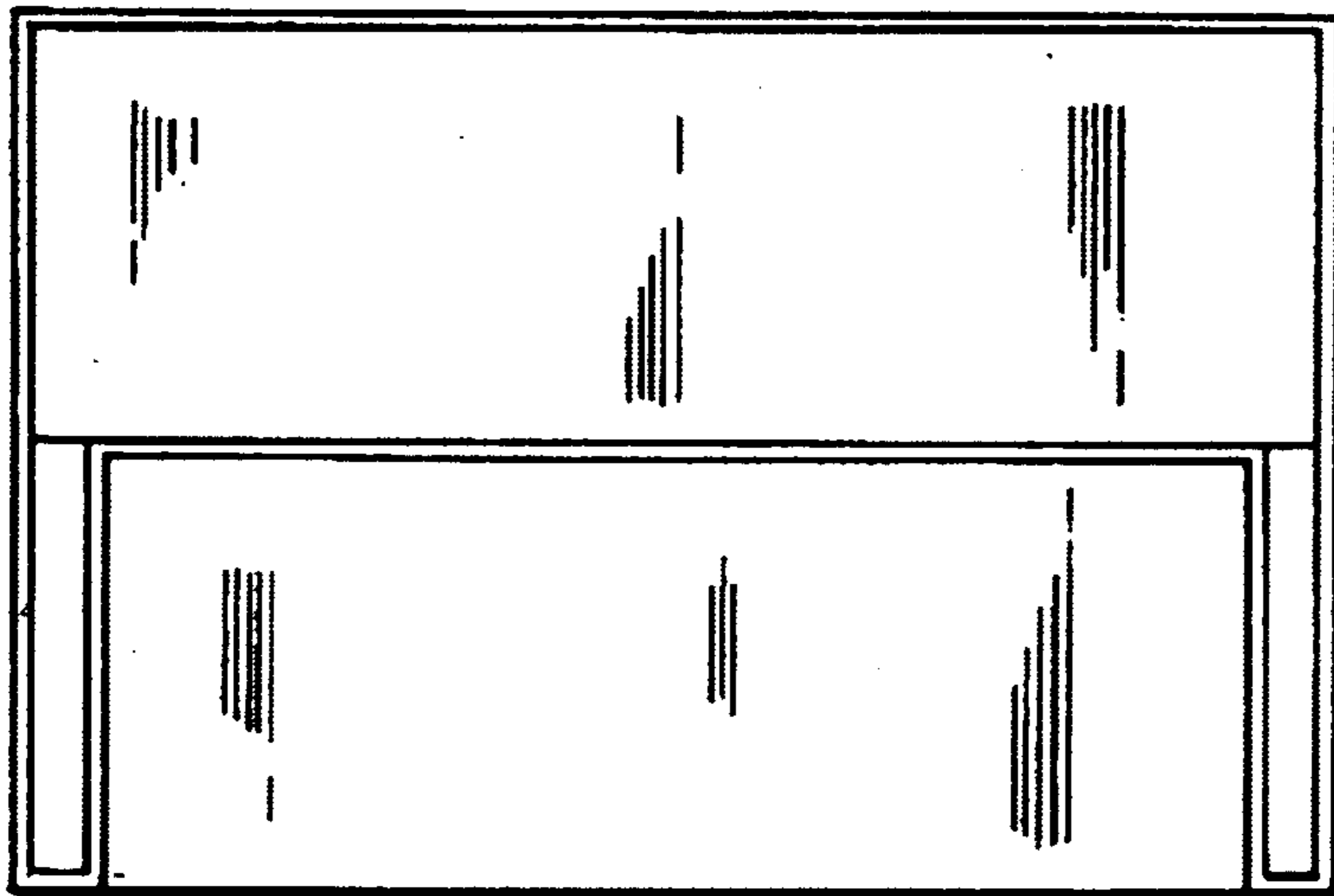


FIG. 8